



US00D383732S

United States Patent [19]

Haley et al.

[11] Patent Number: **Des. 383,732**

[45] Date of Patent: ****Sep. 16, 1997**

[54] DATA STORAGE DEVICE

[75] Inventors: **Jonathan D. Haley**, Chichester; **Martin Parsons**, Portsmouth, both of United Kingdom

[73] Assignee: **Havant International Limited**, Havant, England

[**] Term: **14 Years**

[21] Appl. No.: **53,862**

[22] Filed: **May 1, 1996**

[30] Foreign Application Priority Data

Nov. 8, 1995 [GB] United Kingdom 2051801

[51] LOC (6) Cl. **14-02**

[52] U.S. Cl. **D14/100**

[58] Field of Search D14/100, 102, D14/107-109; D13/162, 184, 199; D6/432, 436, 445, 448; 312/208.1, 254, 292; 360/99.12; 361/690-696

[56] References Cited

U.S. PATENT DOCUMENTS

D. 271,202 11/1983 Endt D14/109

D. 280,898 10/1985 Benigni et al. D14/109 X
D. 313,408 1/1991 Chin D14/114

FOREIGN PATENT DOCUMENTS

2040320 7/1994 United Kingdom .

Primary Examiner—Freda Nunn
Attorney, Agent, or Firm—Cushman Darby & Cushman IP Group of Pillsbury Madison & Sutro LLP

[57] CLAIM

The ornamental design for a data storage device, as shown and described.

DESCRIPTION

FIG. 1 is a front perspective view of a data storage device showing our new design;
FIG. 2 is a rear view of a data storage device shown in FIG. 1;
FIG. 3 is a top view of a data storage device shown in FIG. 1;
FIG. 4 is a right side view of a data storage device shown in FIG. 1 the undisclosed left side is a mirror image;
FIG. 5 is an underneath view of a data storage device shown in FIG. 1; and
FIG. 6 is a bottom perspective view of a data storage device shown in FIG. 1.

1 Claim, 3 Drawing Sheets

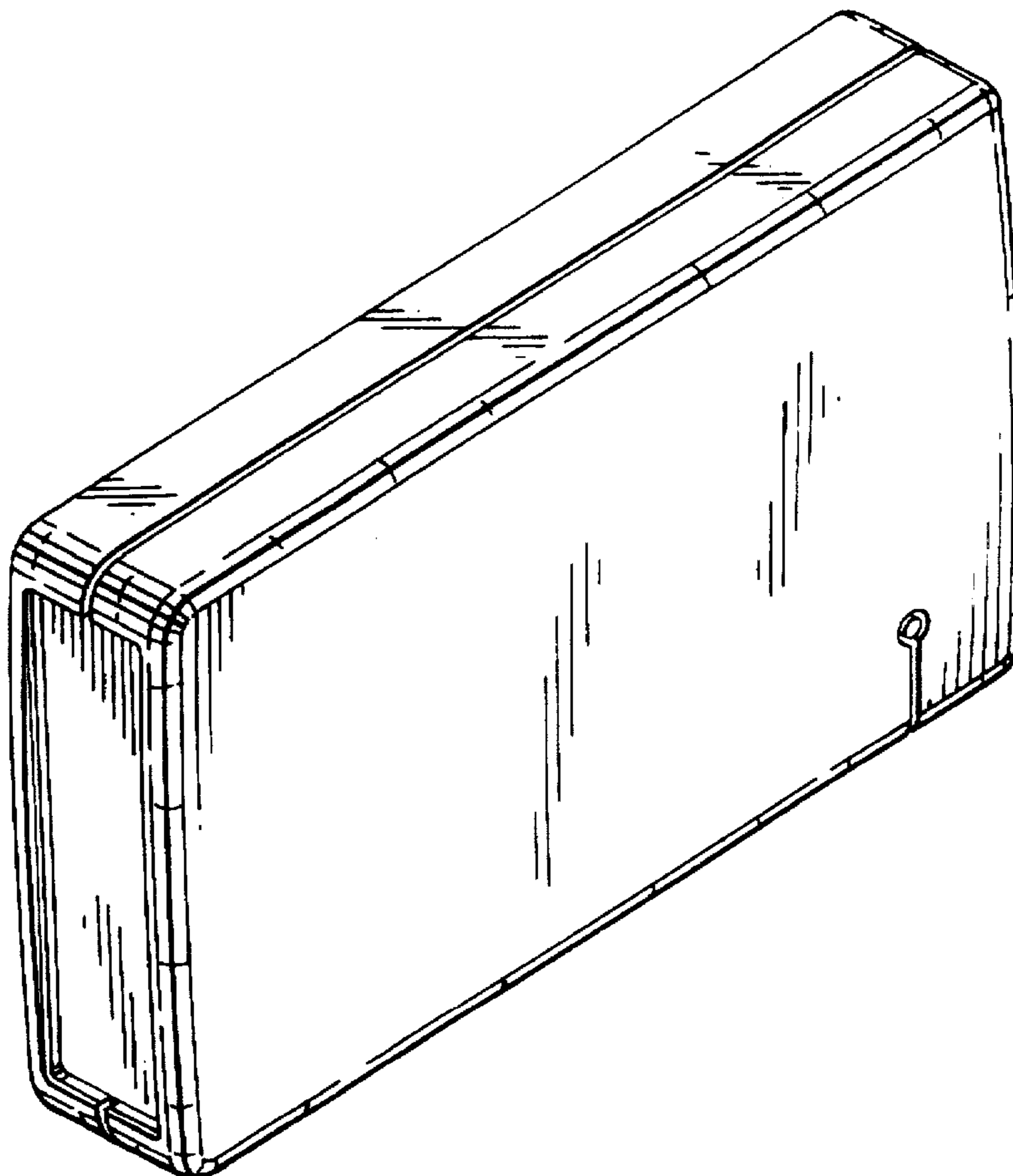


FIG. 1

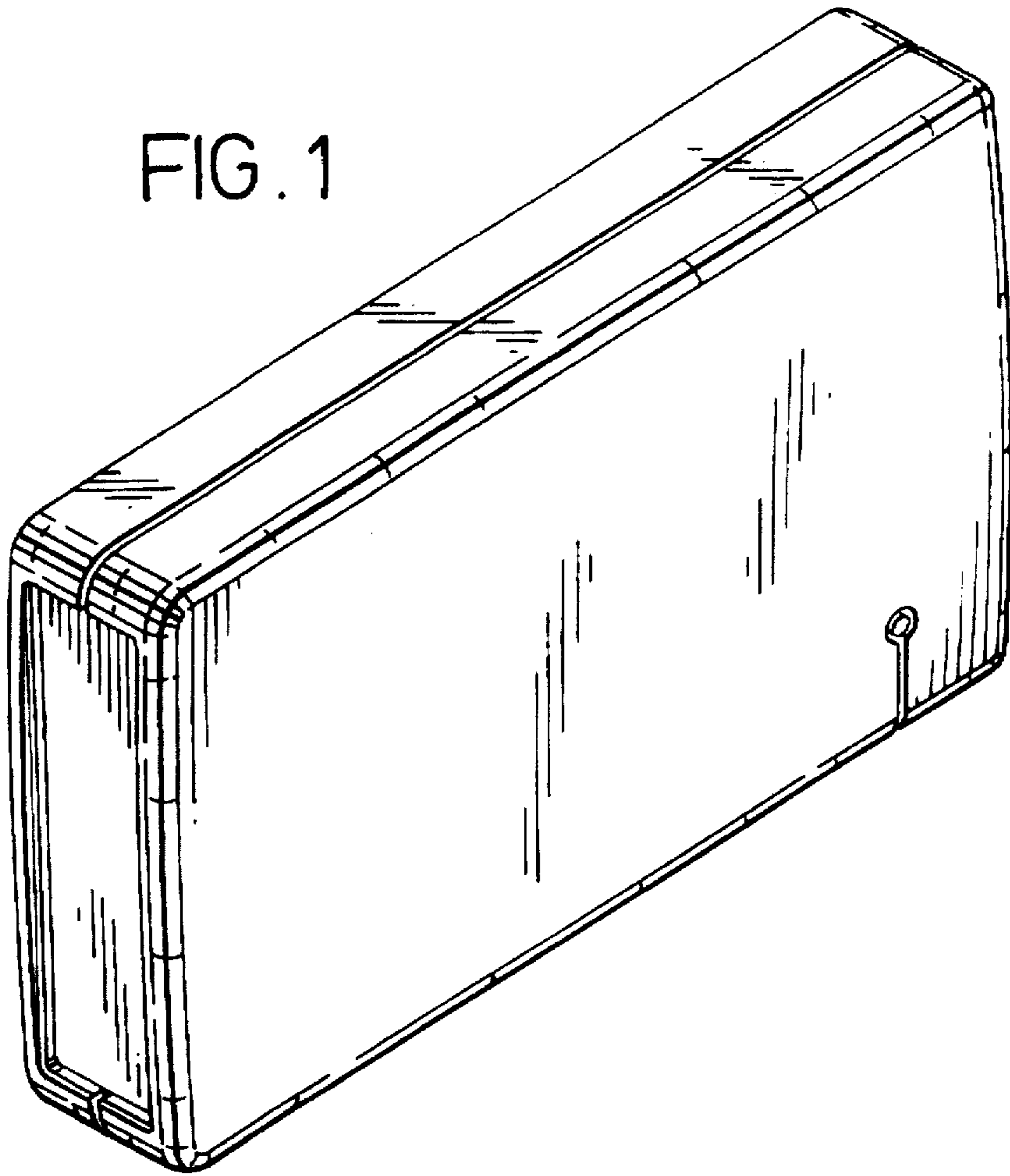


FIG. 2

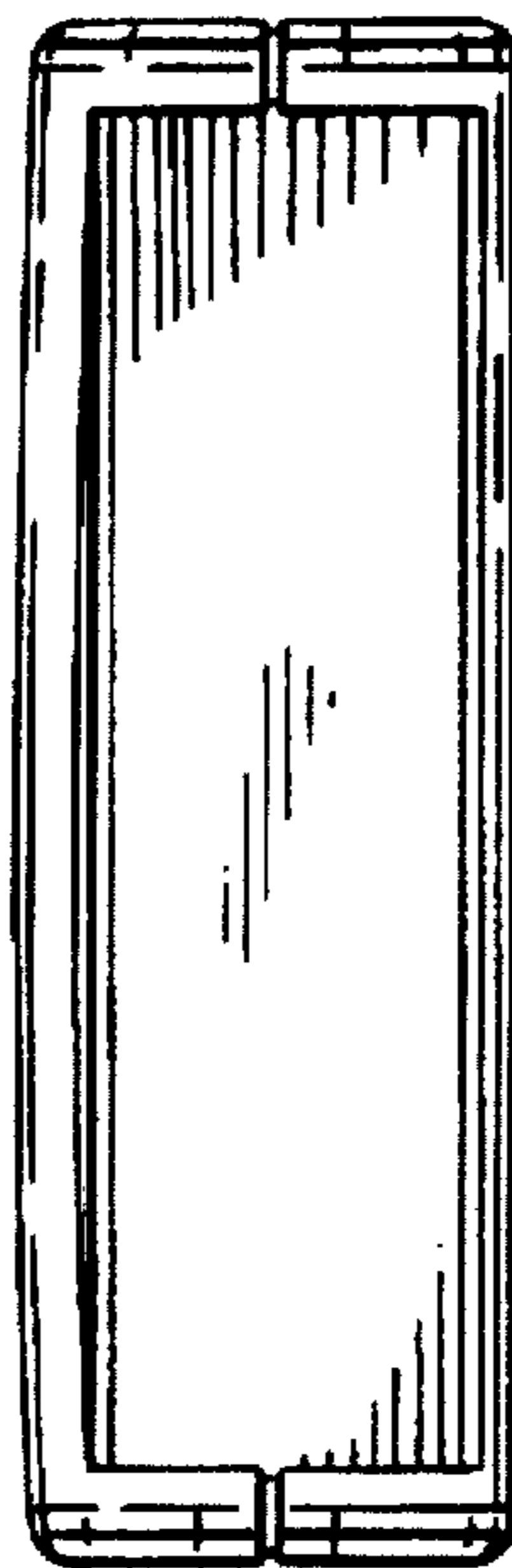


FIG. 3

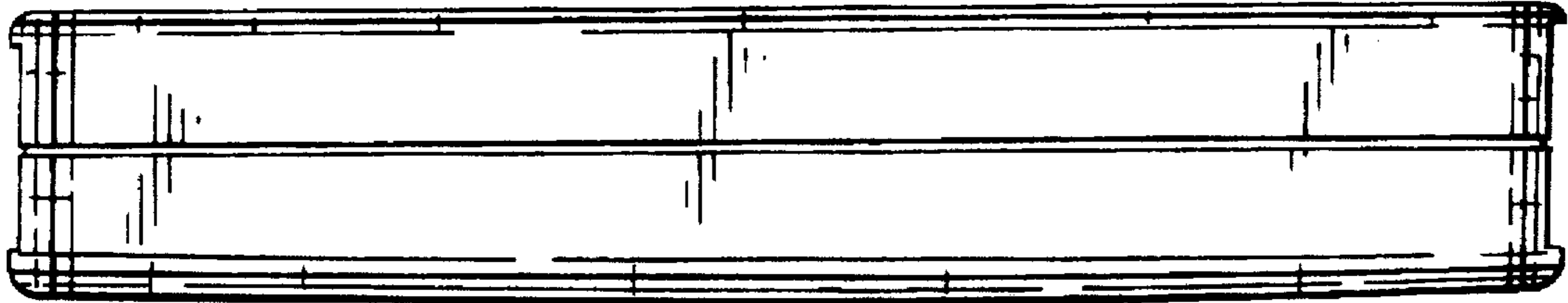


FIG. 4

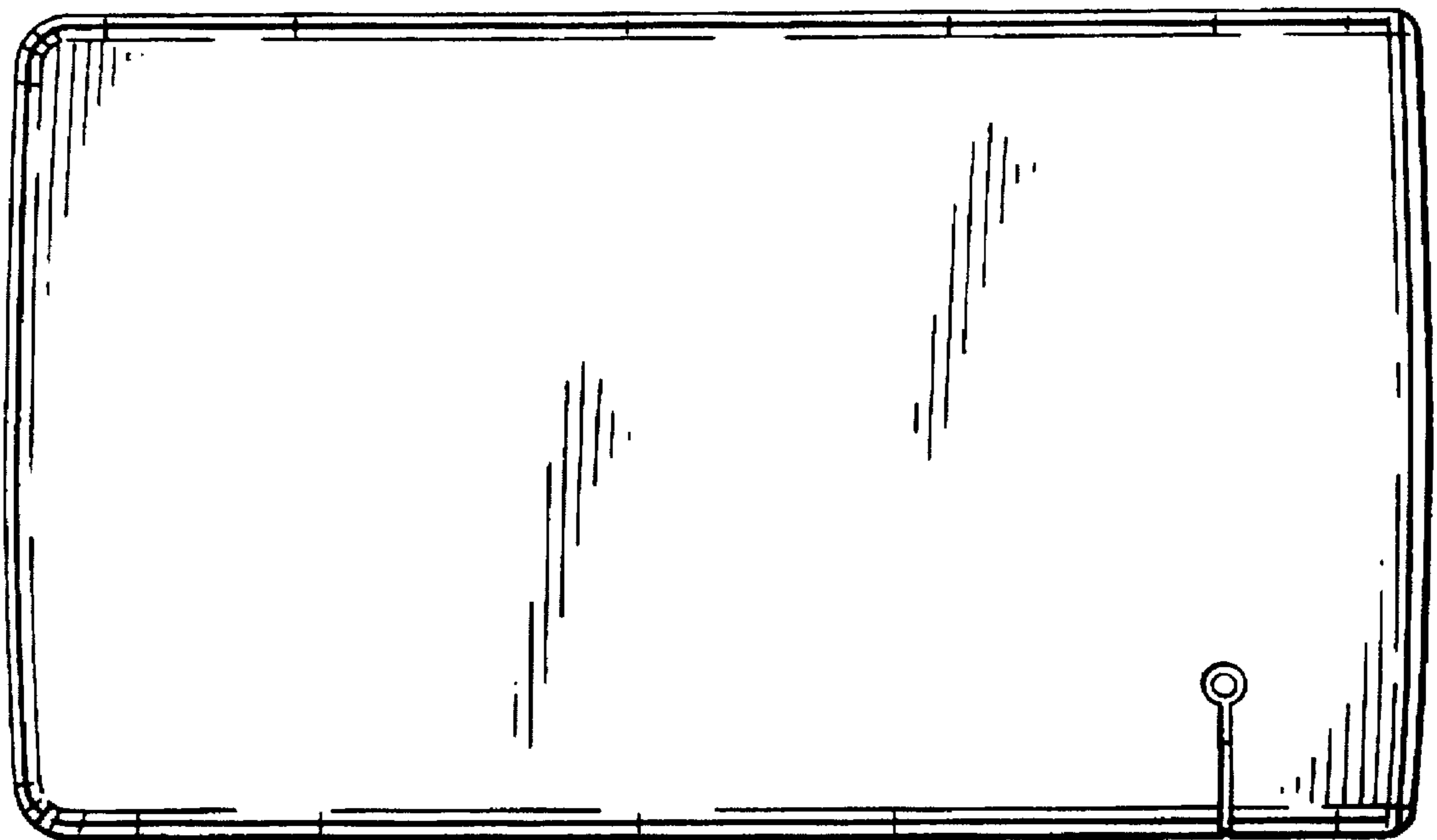
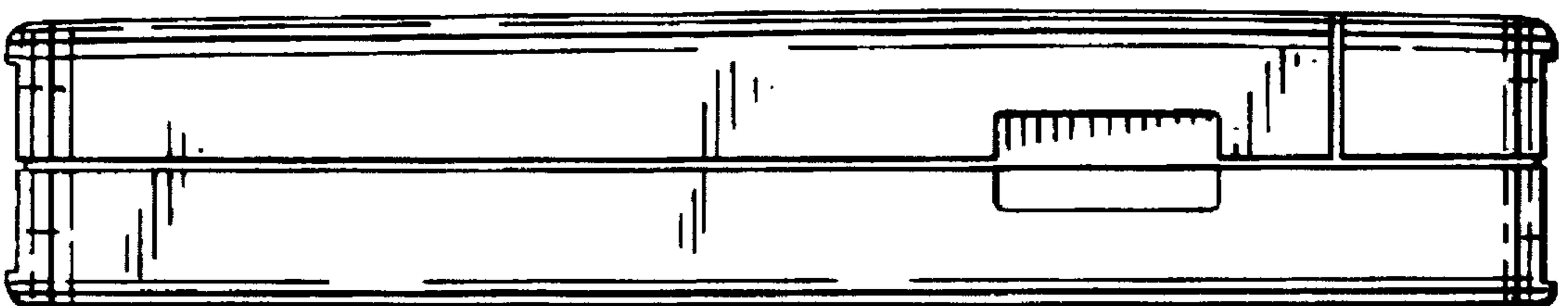


FIG. 5



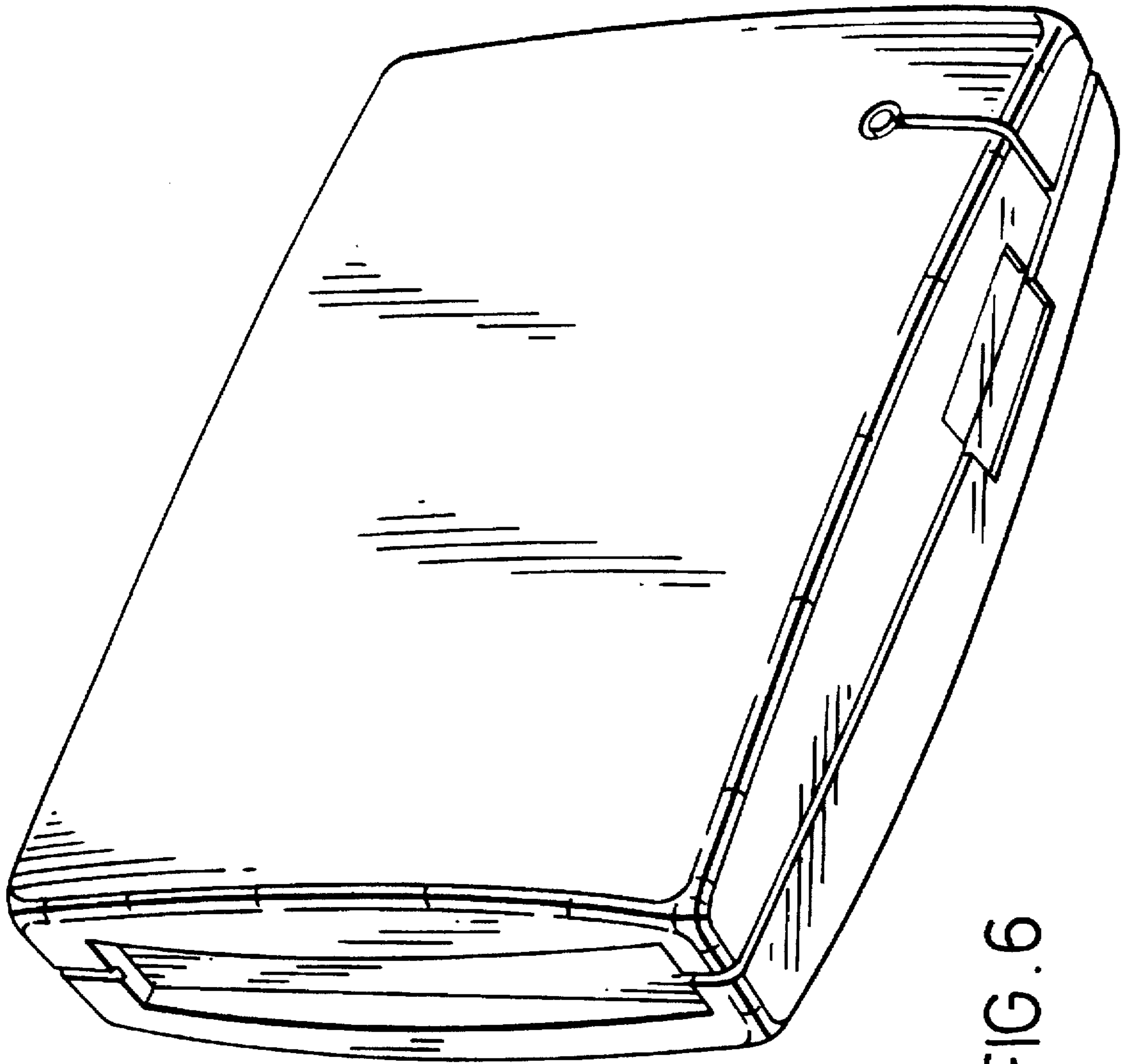


FIG. 6