



US00D383731S

# United States Patent [19]

[11] Patent Number: **Des. 383,731**

Mieki et al.

[45] Date of Patent: **\*\*Sep. 16, 1997**

[54] **PERSONAL COMPUTER HOUSING**

[57] **CLAIM**

[75] Inventors: **Nariaki Mieki**, Yokohama; **Kazuhiko Yamazaki**, Hiratsuka, both of Japan

The ornamental design for a personal computer housing, as shown and described.

[73] Assignee: **International Business Machines Corporation**, Armonk, N.Y.

### DESCRIPTION

[\*\*] Term: **14 Years**

FIG. 1 is a perspective view from the front and right of the personal computer housing of our invention in a position of being opened for use;

[21] Appl. No.: **53,734**

FIG. 2 is a perspective view from the front and right of the personal computer housing of FIG. 1 in a position of being closed;

[22] Filed: **Apr. 29, 1996**

### [30] Foreign Application Priority Data

FIG. 3 is an elevation view from the front of the personal computer housing of FIGS. 1 and 2 wherein a connector is shown and the computer is shown in a position of being fully opened;

Nov. 10, 1995 [JP] Japan ..... 7-34119

[51] LOC (6) Cl. .... **14-02**

[52] U.S. Cl. .... **D14/100; D18/7**

[58] Field of Search ..... D14/100, 101, D14/106, 113, 115; D18/1, 7; 235/145 A, 145 R; 345/104, 156, 168, 173; 341/22, 23; 361/680-686; 364/708.1, 709.04, 709.12; 400/486, 489

FIG. 4 is an elevation view from the rear of the personal computer housing of FIGS. 1 through 3 in the position of FIG. 3;

FIG. 5 is a top plan view of the personal computer housing of FIGS. 1 through 4 in the positions of FIG. 3 and 4;

### [56] References Cited

#### U.S. PATENT DOCUMENTS

D. 292,706 11/1987 Fischer ..... D14/100 X  
D. 317,779 6/1991 Chen ..... D18/7  
D. 321,865 11/1991 Derocher ..... D14/100  
D. 333,298 2/1993 Raslowsky et al. .... D14/100  
D. 370,213 5/1996 Iwamoto et al. .... D14/105

FIG. 6 is a bottom plan view of the personal computer housing of FIGS. 1 through 5 in the position of FIG. 3 through 5;

FIG. 7 is an elevation view from the right side of the personal computer housing of FIGS. 1 through 6 in the position of FIGS. 3 through 6; and,

FIG. 8 is an elevation view from the left side of the personal computer housing of FIGS. 1 through 7 in the position of FIGS. 3 through 7.

Primary Examiner—Freda Nunn

Attorney, Agent, or Firm—Daniel E. McConnell

**1 Claim, 5 Drawing Sheets**

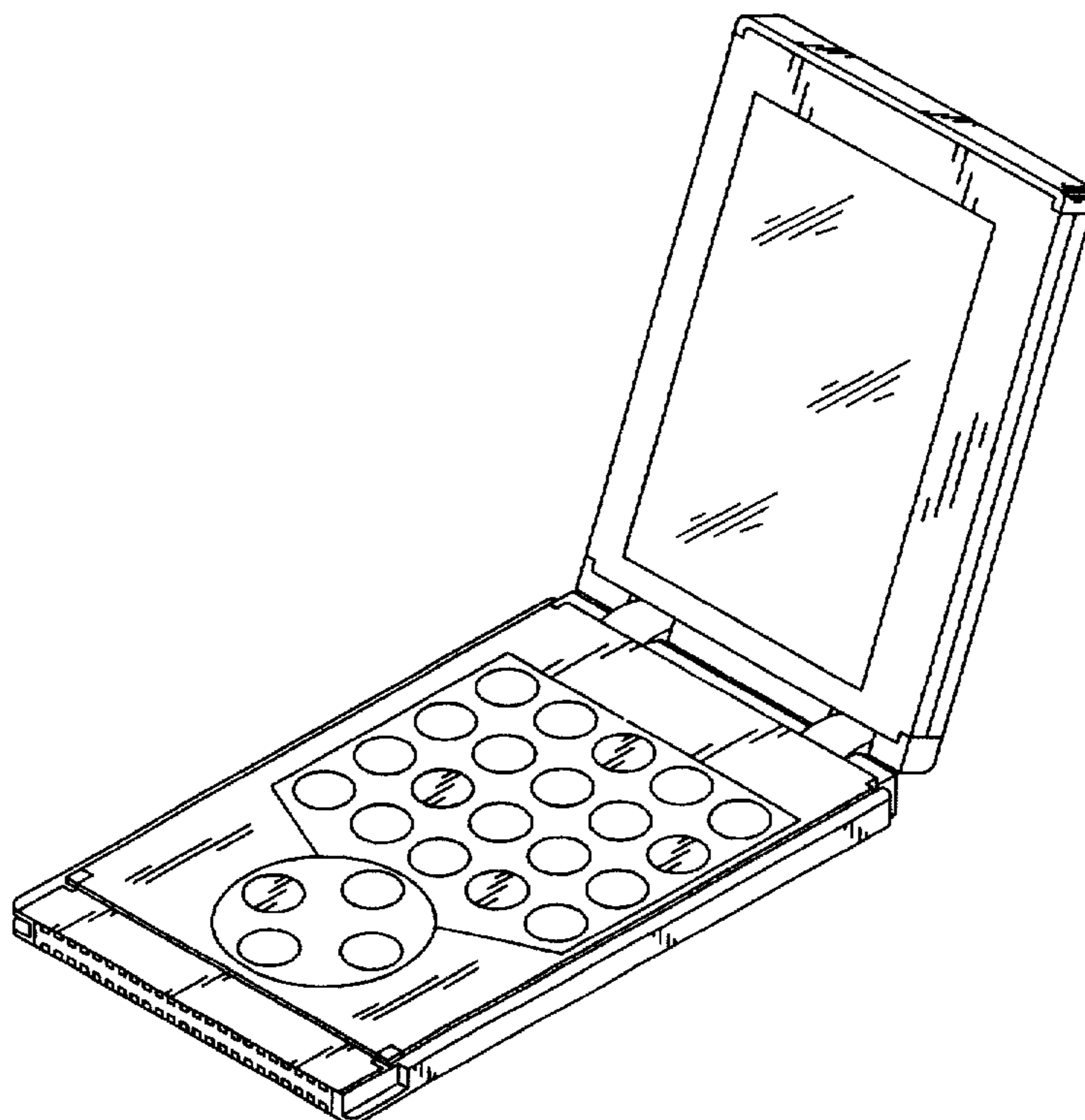


FIG. 1

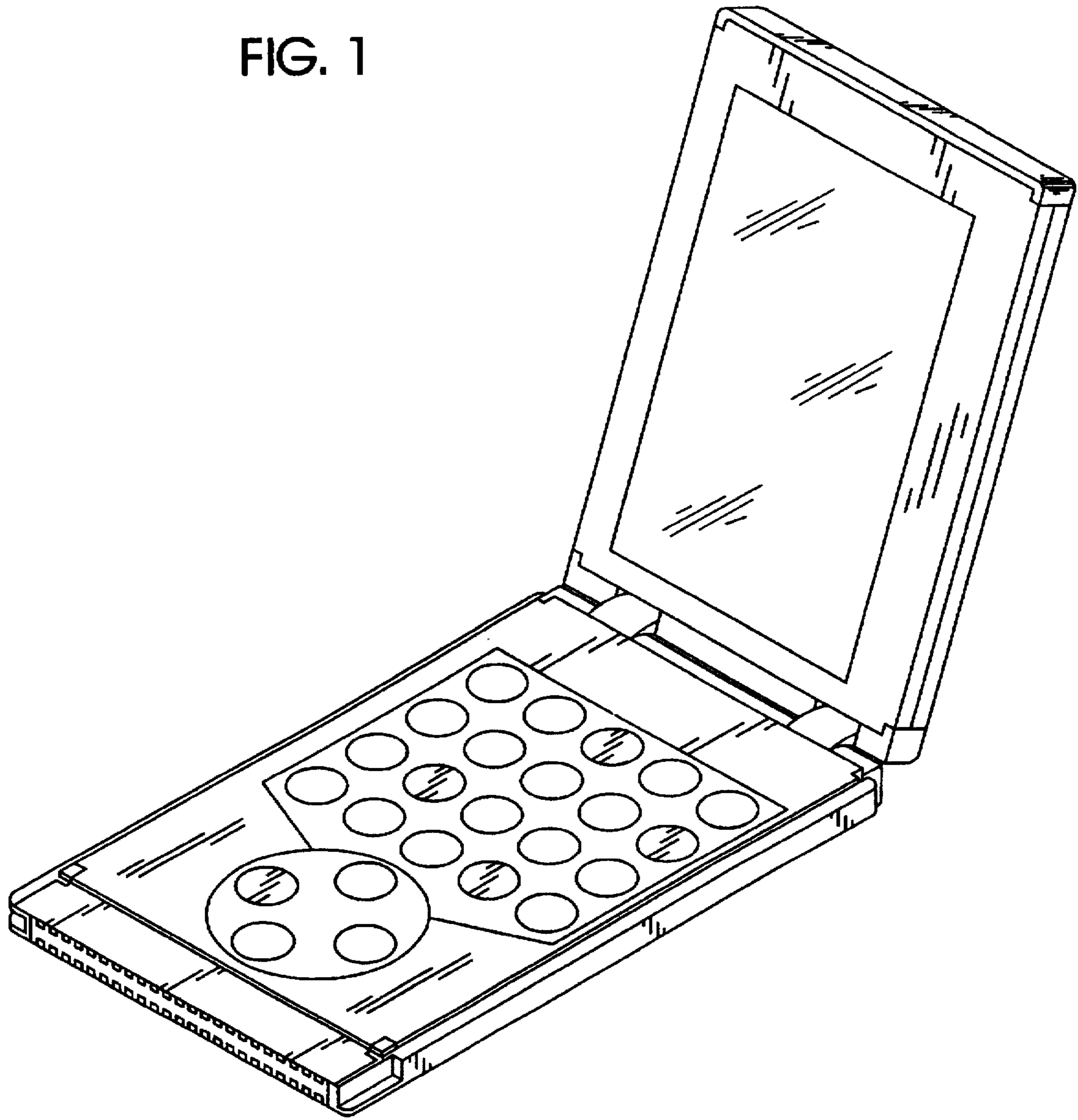


FIG. 2

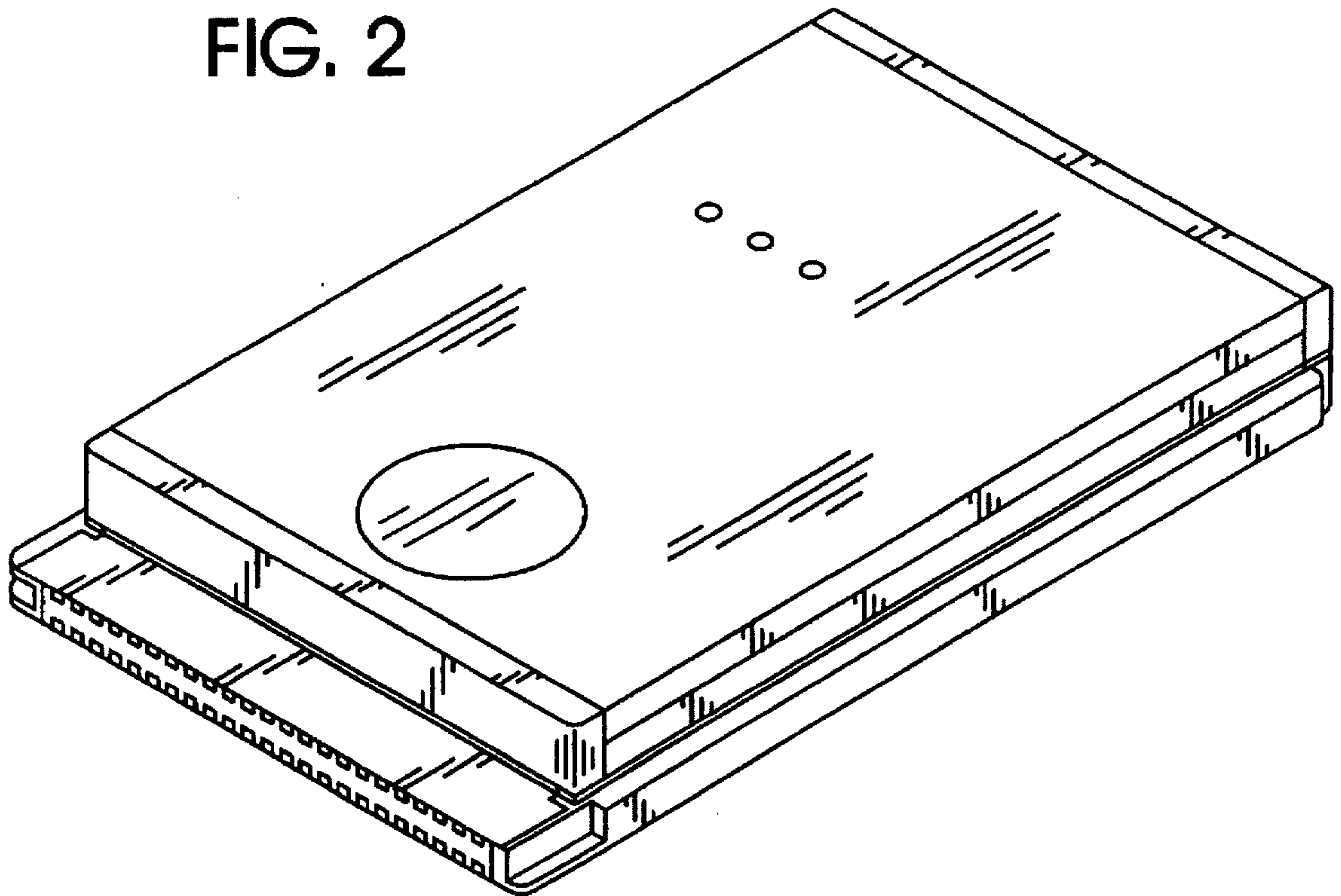


FIG. 3

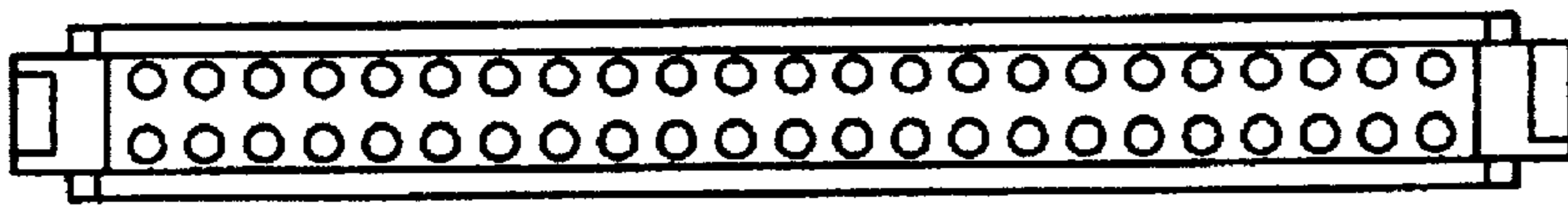
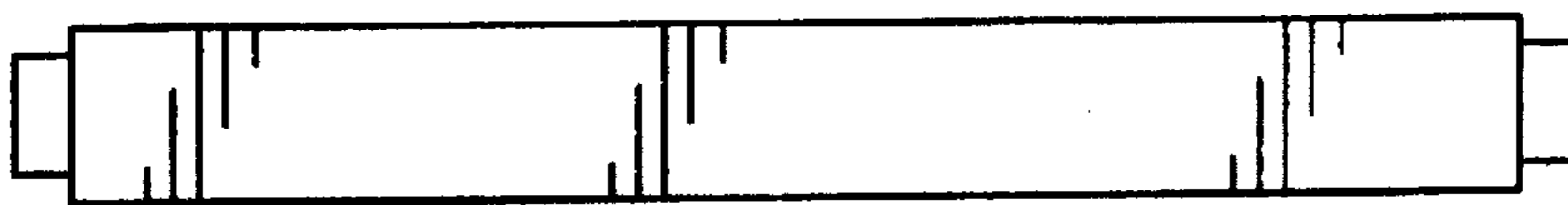


FIG. 4



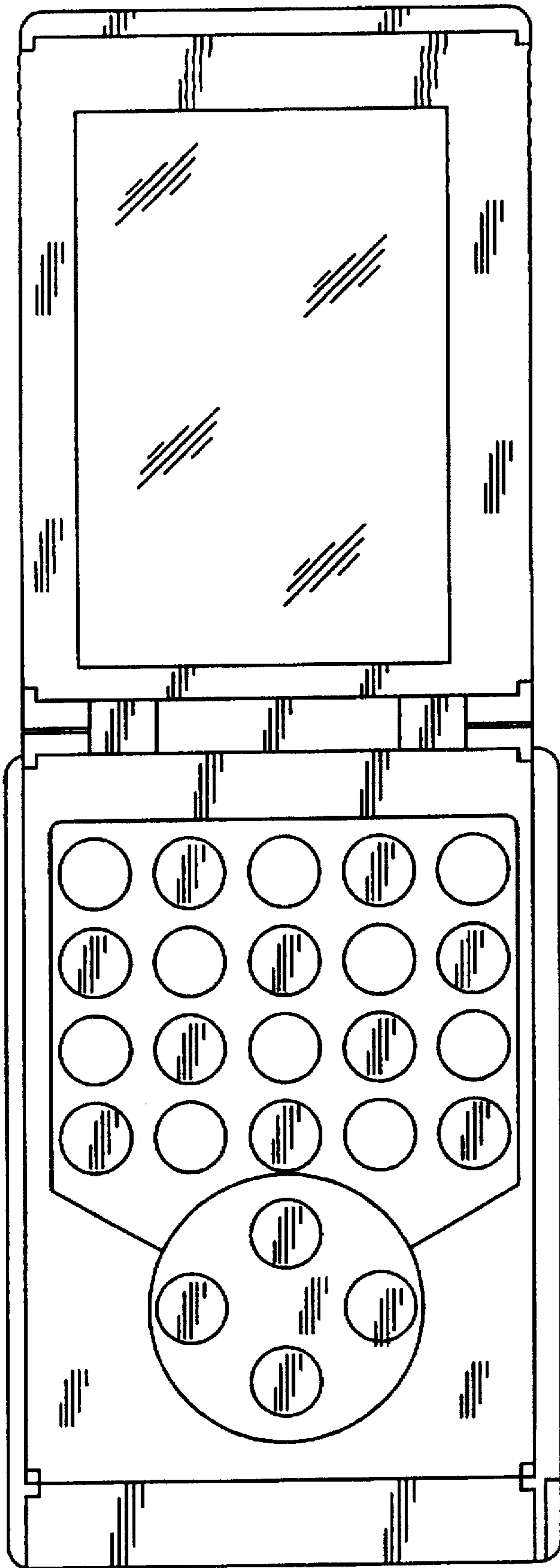


FIG. 5



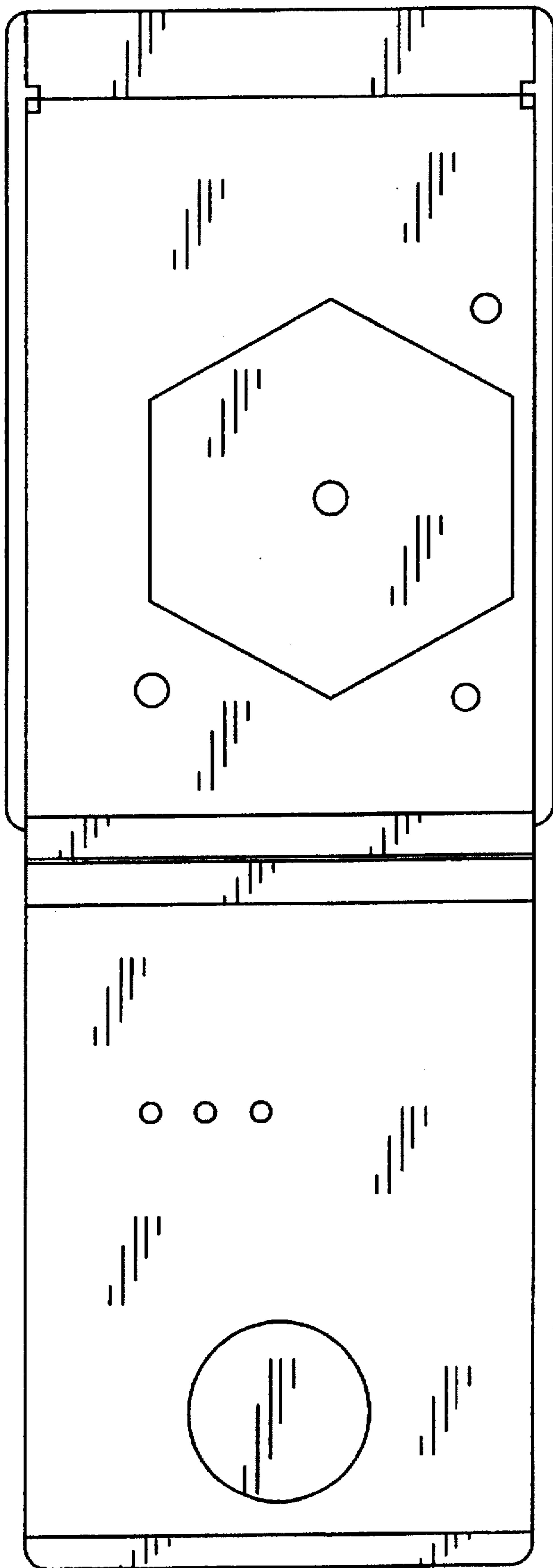


FIG. 6

FIG. 7



FIG. 8

