



US00D383726S

United States Patent [19]

Nelson

[11] Patent Number: **Des. 383,726**

[45] Date of Patent: ****Sep. 16, 1997**

[54] **ELECTRICAL EXTENSION CORD
INCORPORATING A SWITCH**

4,277,640	7/1981	Kutnyak et al.	174/47
4,999,752	3/1991	Rogers et al.	439/502 X
5,108,307	4/1992	Cohen	439/502

[76] Inventor: **Hal Nelson**, 821 4th St., Carmi, Ill.
62821

Primary Examiner—Joel Sincavage
Attorney, Agent, or Firm—James A. Hudak

[**] Term: **14 Years**

[57] **CLAIM**

[21] Appl. No.: **44,547**

The ornamental design for an electrical extension cord incorporating a switch, as shown and described.

[22] Filed: **Sep. 26, 1995**

DESCRIPTION

[51] LOC (6) Cl. **13-03**

[52] U.S. Cl. **D13/142; D13/140**

[58] **Field of Search** D13/137, 139,
D13/140, 141, 170; 439/369, 502; 200/52 LM,
52 R; 307/114

FIG. 1 is a perspective view of the electrical extension cord incorporating a switch showing my new design;
FIG. 2 is a front elevational view thereof;
FIG. 3 is a rear elevational view thereof;
FIG. 4 is a left side elevational view thereof;
FIG. 5 is a right side elevational view thereof;
FIG. 6 is a top plan view thereof; and,
FIG. 7 is a bottom plan view thereof.

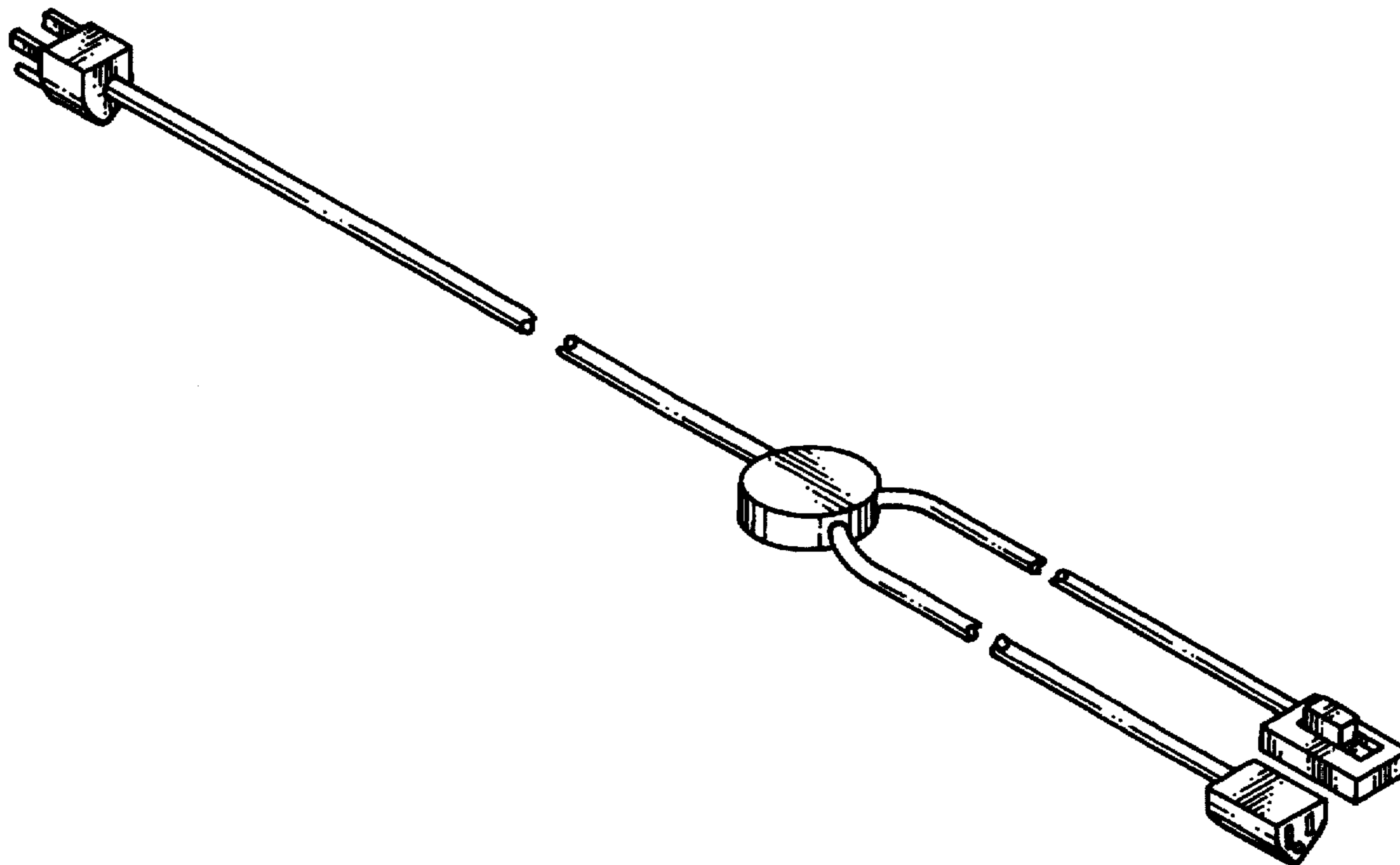
[56] References Cited

U.S. PATENT DOCUMENTS

D. 307,589	5/1990	Layne et al.	D13/140
D. 362,229	9/1995	Moses	D13/142
D. 371,763	7/1996	Cochran et al.	D13/170
2,979,624	4/1961	Askemeese	307/38
3,668,344	6/1972	Lehmann	200/52 R

The cord is shown broken away throughout the drawings to indicate indeterminate length.

1 Claim, 2 Drawing Sheets



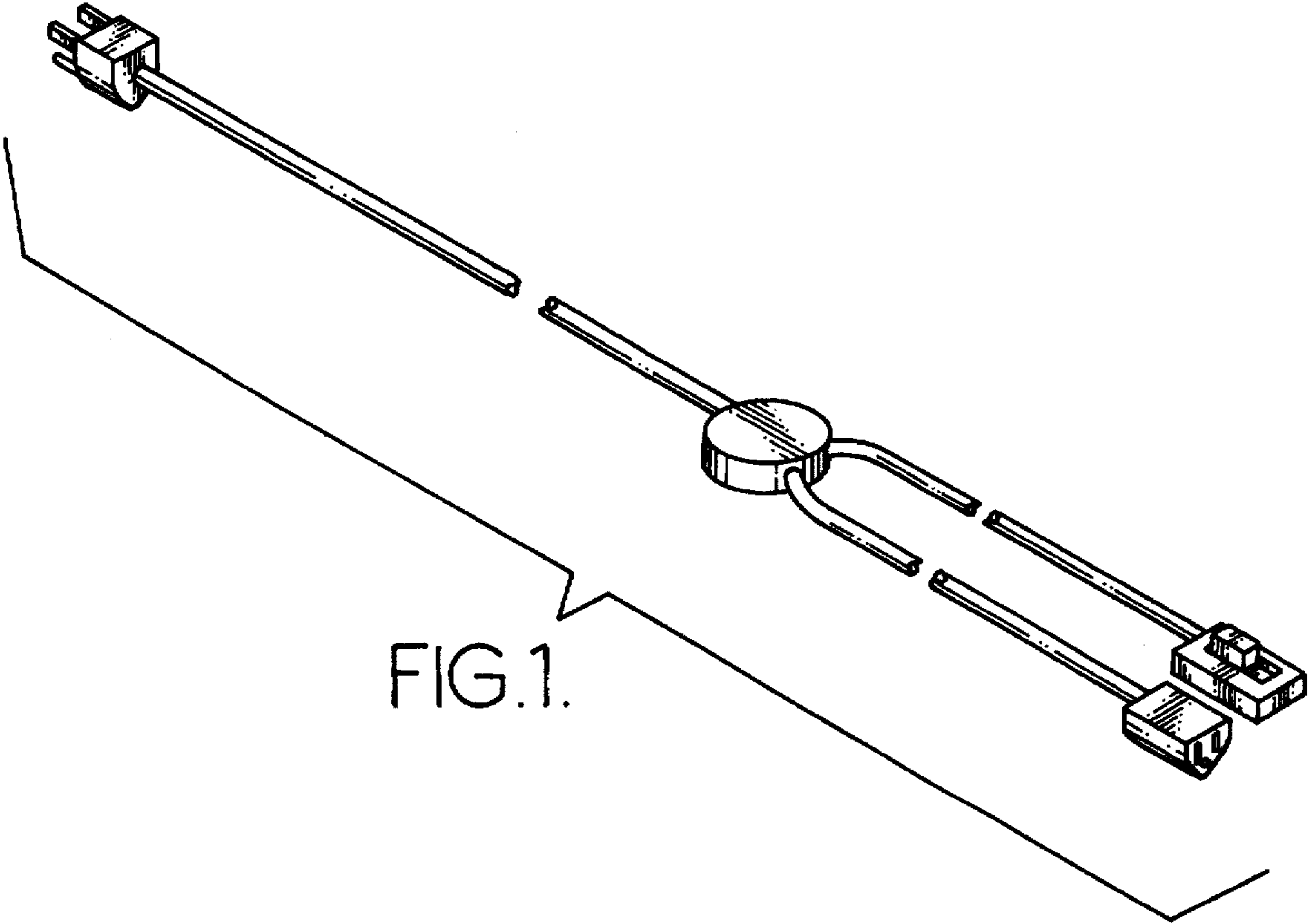


FIG. 1.

FIG. 2.

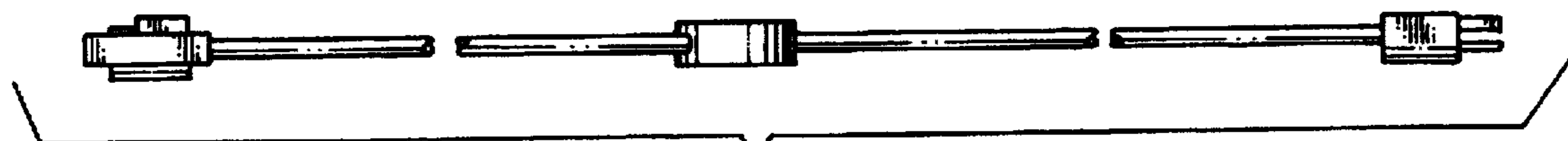
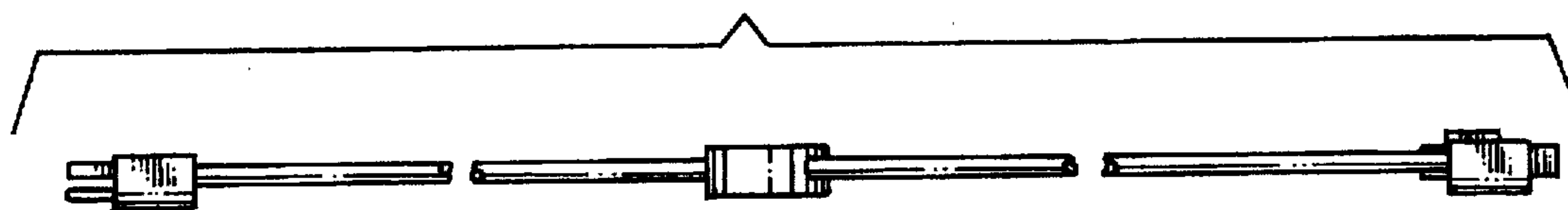


FIG. 3.

FIG. 4.



FIG. 5.



FIG. 6.

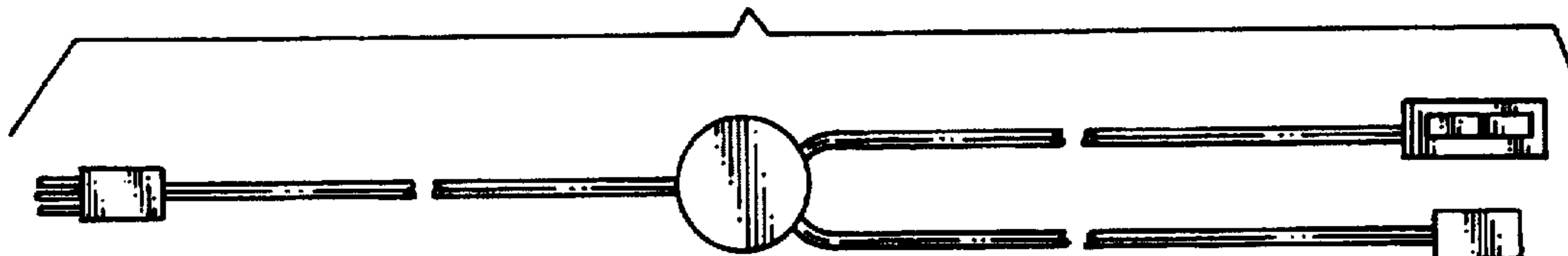


FIG. 7.

