



US00D383724S

United States Patent [19]
Ireland

[11] **Patent Number: Des. 383,724**

[45] **Date of Patent: **Sep. 16, 1997**

[54] **ANCHOR**

[76] **Inventor: Ralph Ireland, 617 Riverdale Rd.,
Mankato, Minn. 56001**

[**] **Term: 14 Years**

[21] **Appl. No.: 52,763**

[22] **Filed: Apr. 4, 1996**

[51] **LOC (6) Cl. 12-06**

[52] **U.S. Cl. D12/215**

[58] **Field of Search D12/215; 114/294,
114/301, 302, 303, 304, 309, 310, 298,
297**

[56] **References Cited**

U.S. PATENT DOCUMENTS

D. 259,781	7/1981	Holmes	D12/215
D. 280,193	8/1985	Spanner	D12/215
D. 347,206	5/1994	Smith	D12/215
3,291,093	12/1966	Wood, Jr.	114/309
3,430,596	3/1969	Hysaw	114/298
4,781,142	11/1988	Cheung	114/304

OTHER PUBLICATIONS

Cabela's, 1995 Spring Catalog, p. 137.

Primary Examiner—Kay H. Chin

Attorney, Agent, or Firm—Palmatier, Sjoquist, Helget & Voigt, P.A.

[57] **CLAIM**

The ornamental design for an anchor, as shown and described.

DESCRIPTION

FIG. 1 is a perspective view of a anchor showing my new design, the broken lines are for illustrative purposes only and form no part of the claimed design;

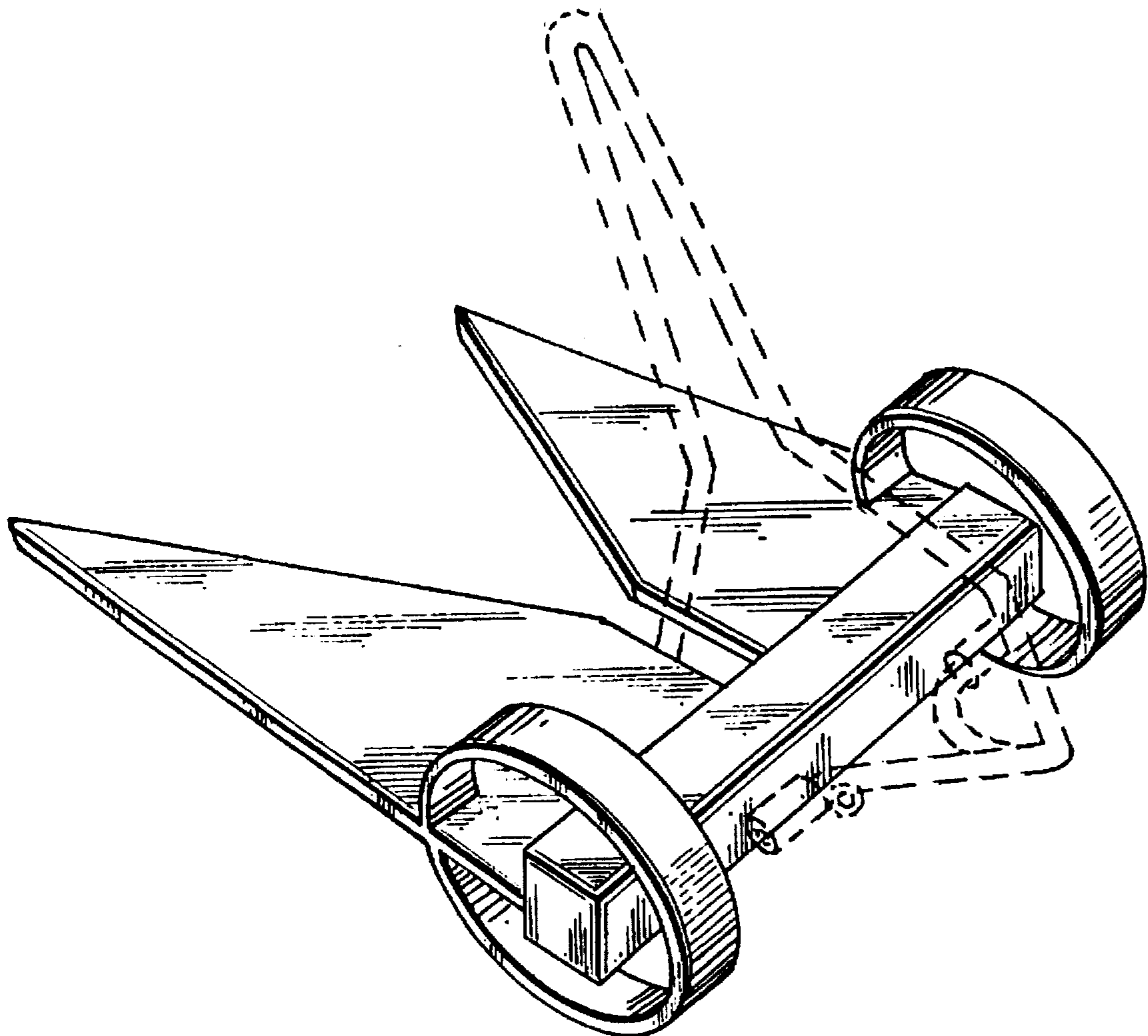
FIG. 2 is a right side elevational view which is a mirror image of the left side;

FIG. 3 is a bottom plan view;

FIG. 4 is a top plan view; and,

FIG. 5 is a front elevational view which is a mirror image of the rear view.

1 Claim, 2 Drawing Sheets



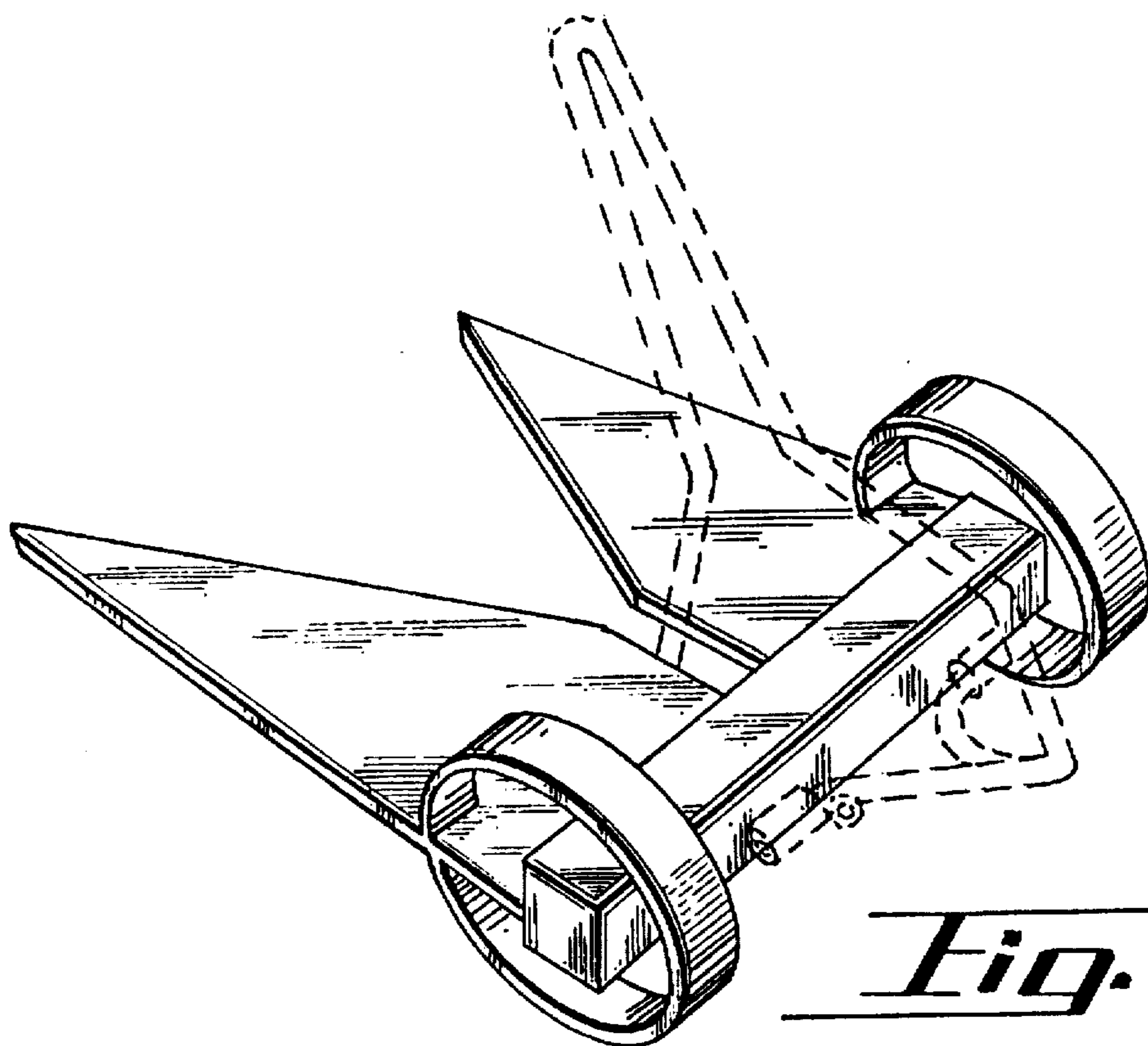


Fig. 1.

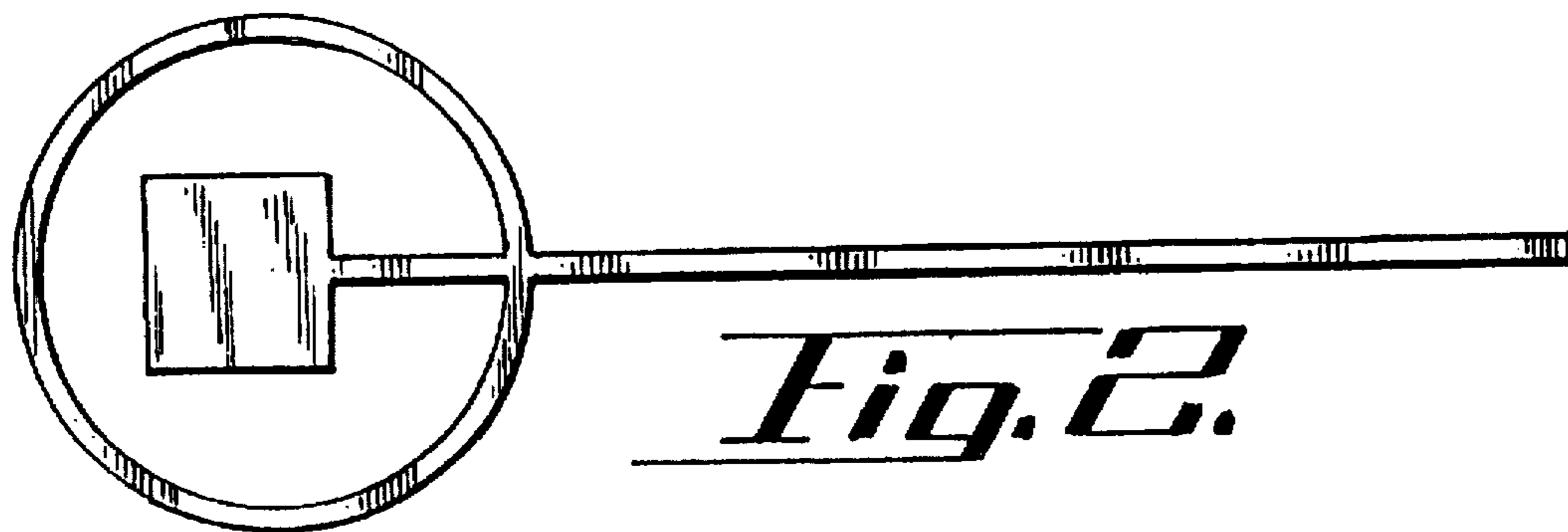


Fig. 2.

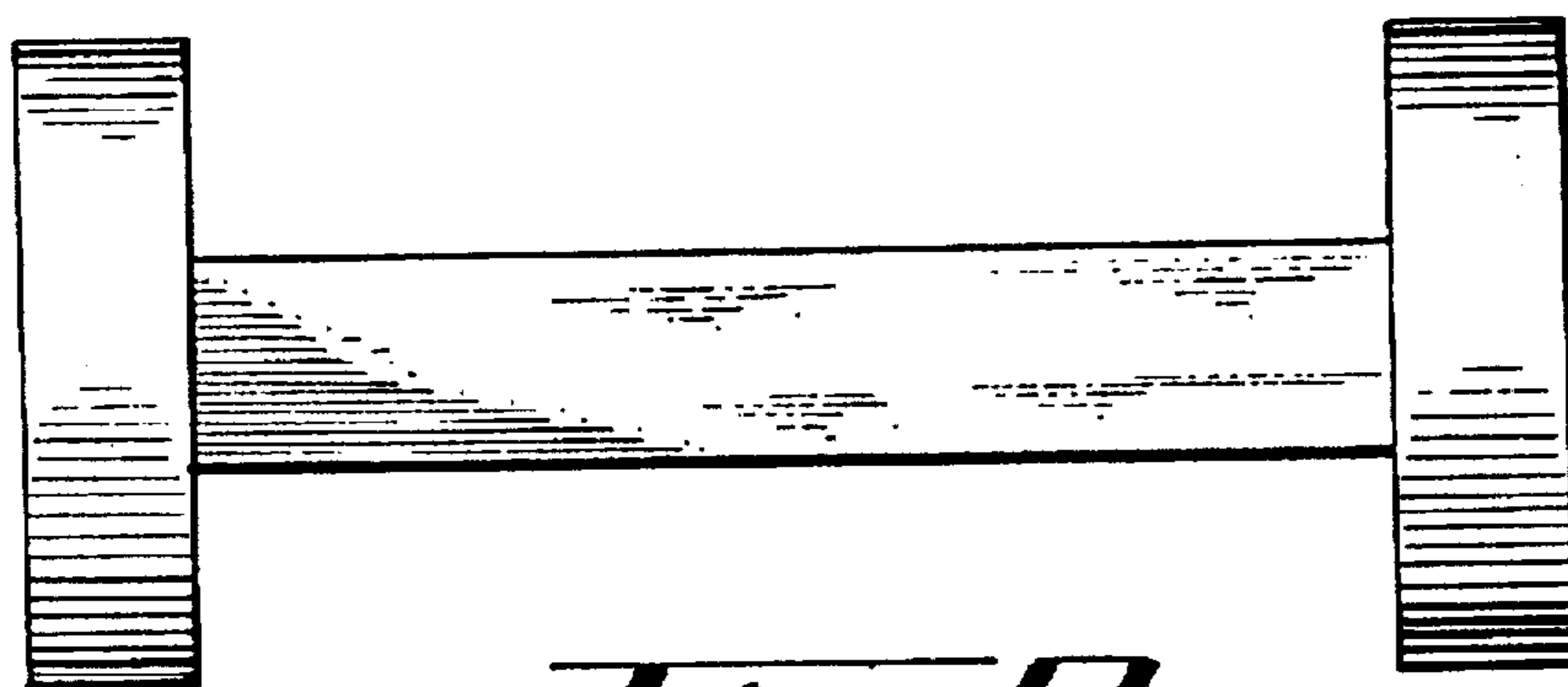


Fig. 3.

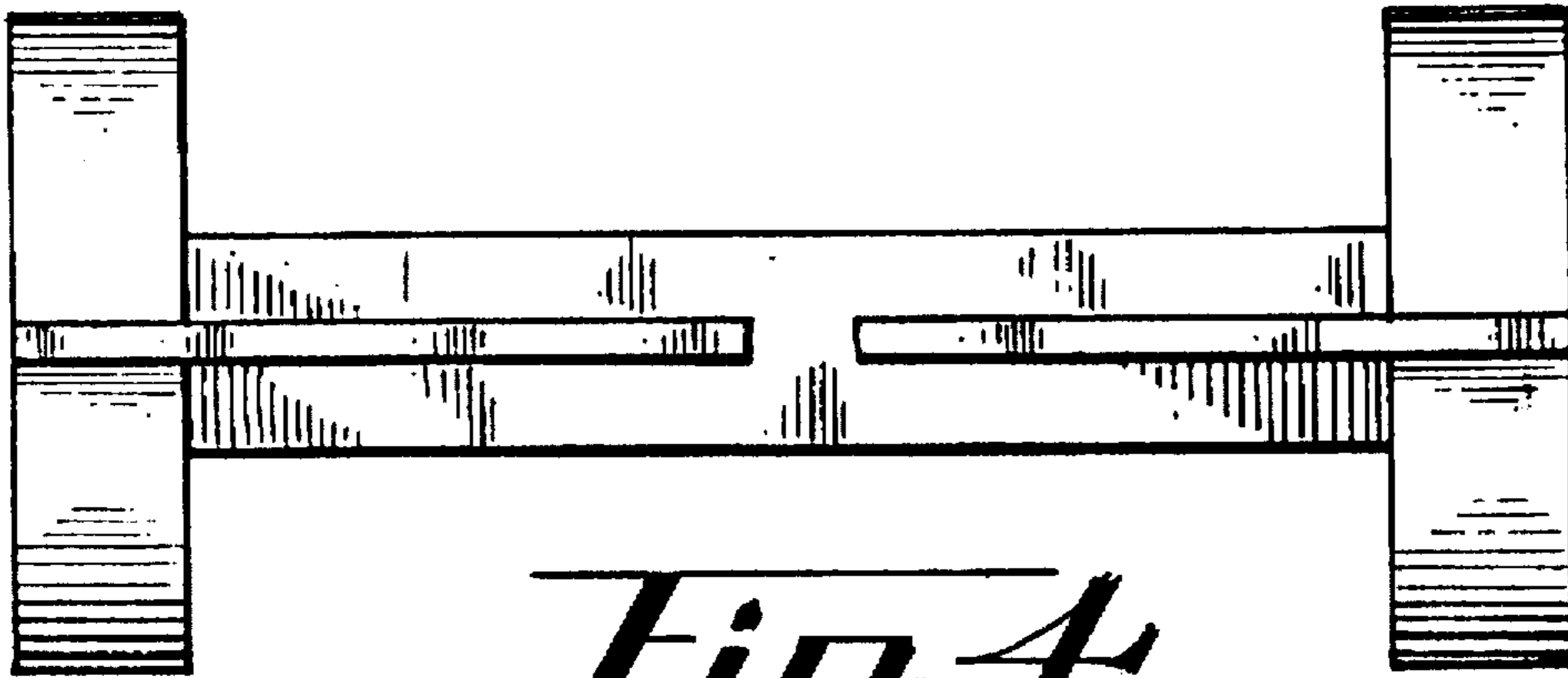


Fig. 4.

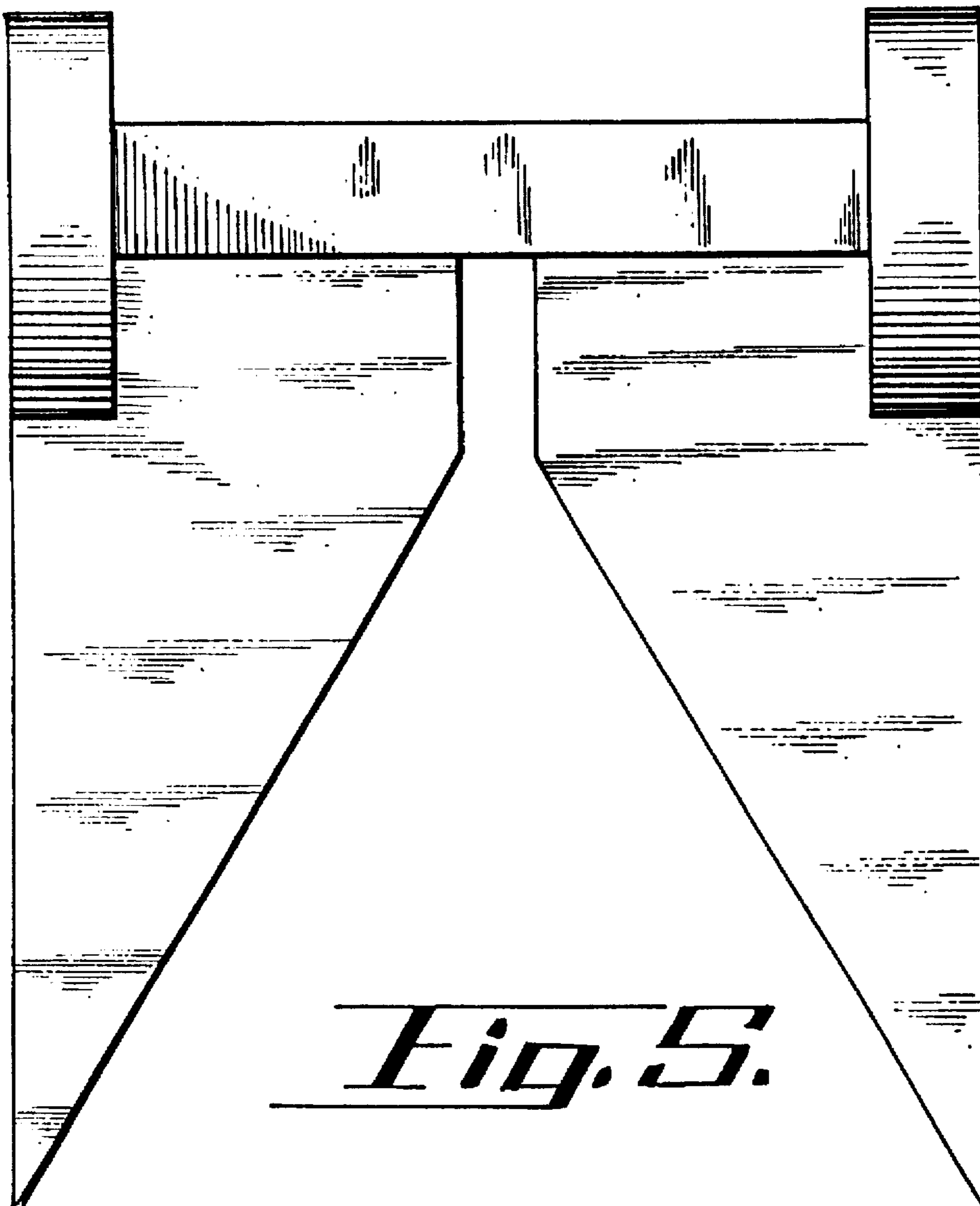


Fig. 5.