



US00D383719S

# United States Patent [19]

Thorne et al.

[11] Patent Number: **Des. 383,719**

[45] Date of Patent: **\*\*Sep. 16, 1997**

[54] **GRILLE GUARD**

[75] Inventors: **Nicholas Thorne**, Simi Valley; **Marcus Meakin**, Los Angeles, both of Calif.

[73] Assignee: **Manik Motors, Inc.**, Los Angeles, Calif.

[\*\*] Term: **14 Years**

[21] Appl. No.: **56,659**

[22] Filed: **Jul. 5, 1996**

[51] LOC (6) Cl. .... **12-06**

[52] U.S. Cl. .... **D12/171**

[58] Field of Search ..... **D12/171; 293/102, 293/103, 115, 120, 121, 144**

### [56] References Cited

#### U.S. PATENT DOCUMENTS

D. 300,420 3/1989 Trumann ..... D12/171

D. 333,457	2/1993	La Foe et al. ....	D12/171
D. 361,316	8/1995	Orth, Sr. et al. ....	D12/171
4,671,552	6/1987	Anderson .....	293/144
5,215,343	6/1993	Fortune .....	293/121
5,277,465	1/1994	Weir .....	293/144

*Primary Examiner*—Melody N. Brown

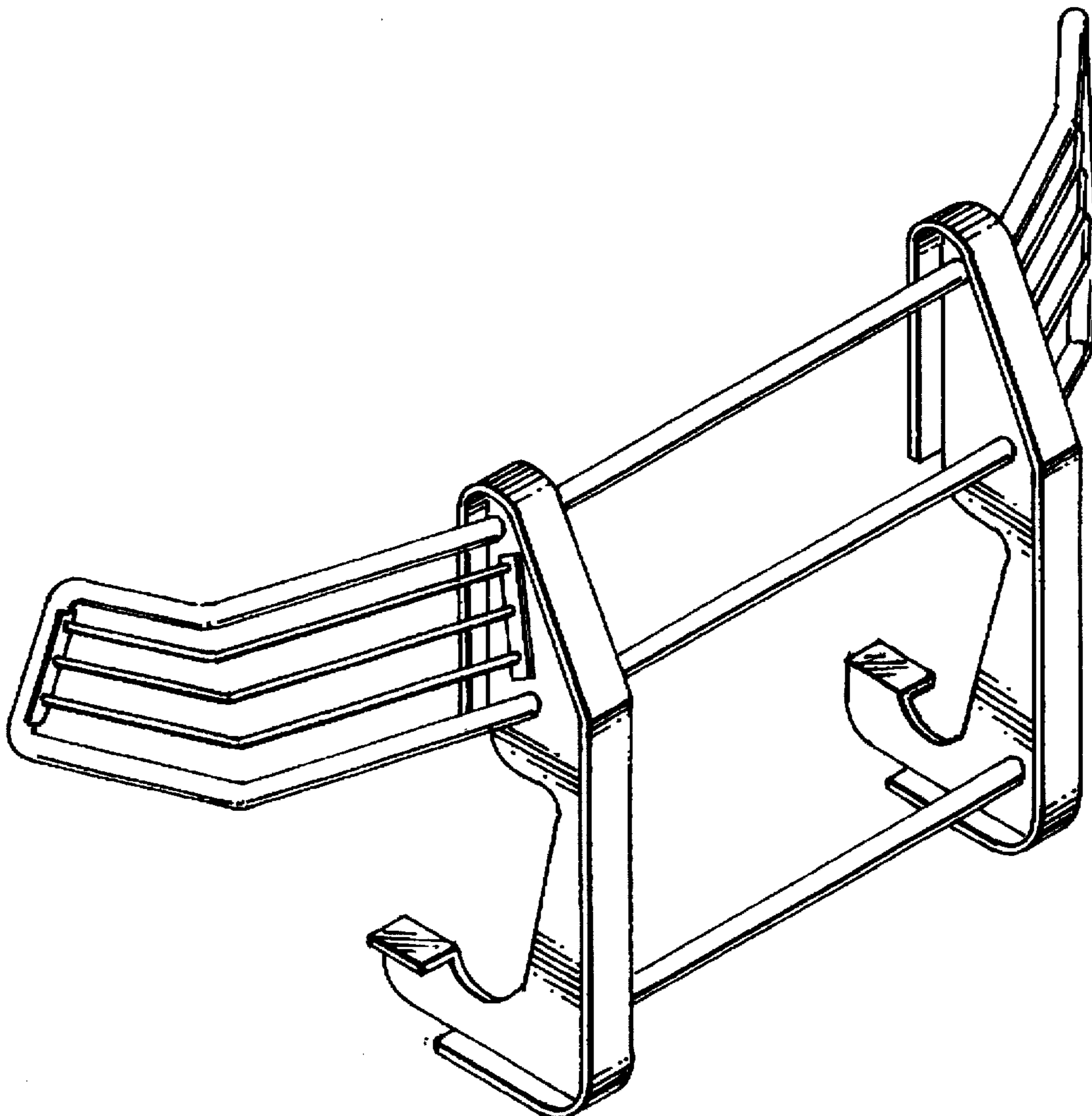
### [57] CLAIM

The ornamental design for a grille guard, as shown and described.

### DESCRIPTION

FIG. 1 is a perspective view of a grille guard showing our new design;  
FIG. 2 is a front view of the design;  
FIG. 3 is a top view;  
FIG. 4 is a rear view;  
FIG. 5 is a bottom view; and,  
FIG. 6 is a side view.

**1 Claim, 2 Drawing Sheets**



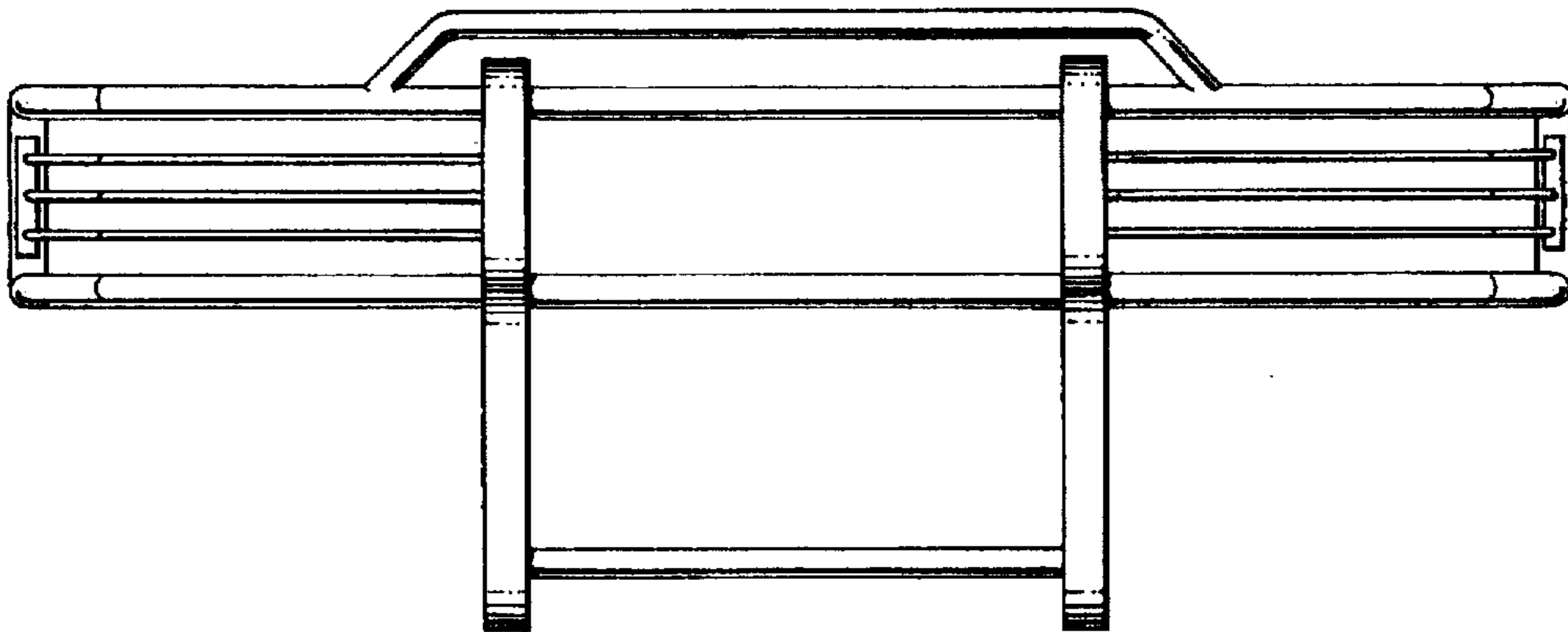
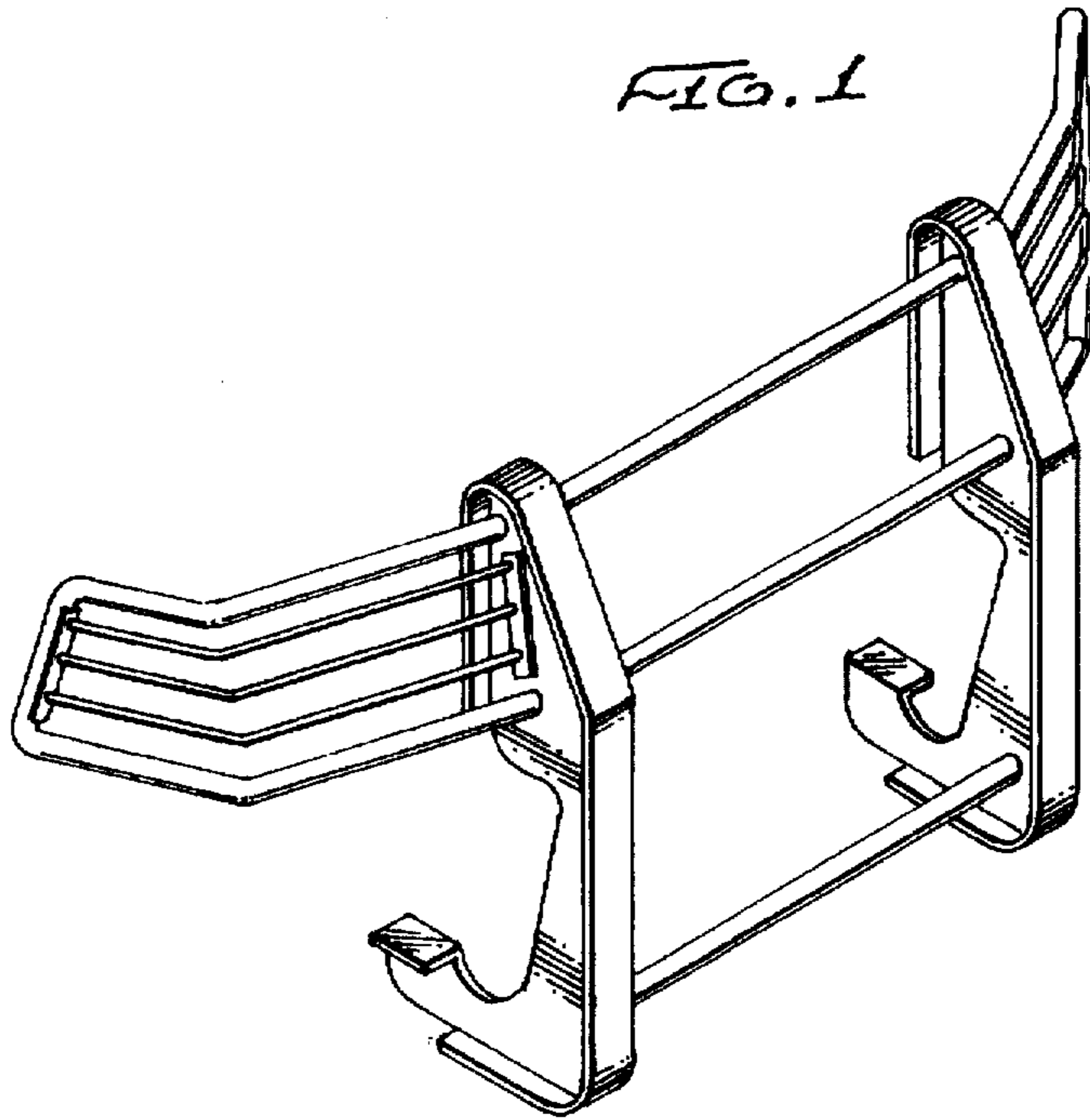


FIG. 2

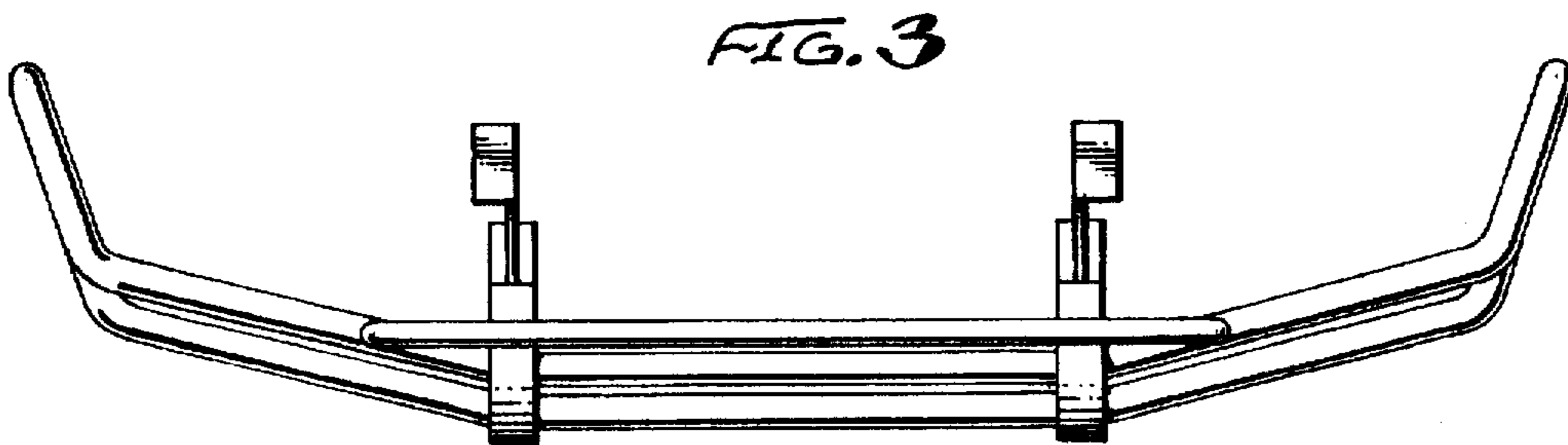


FIG. 4

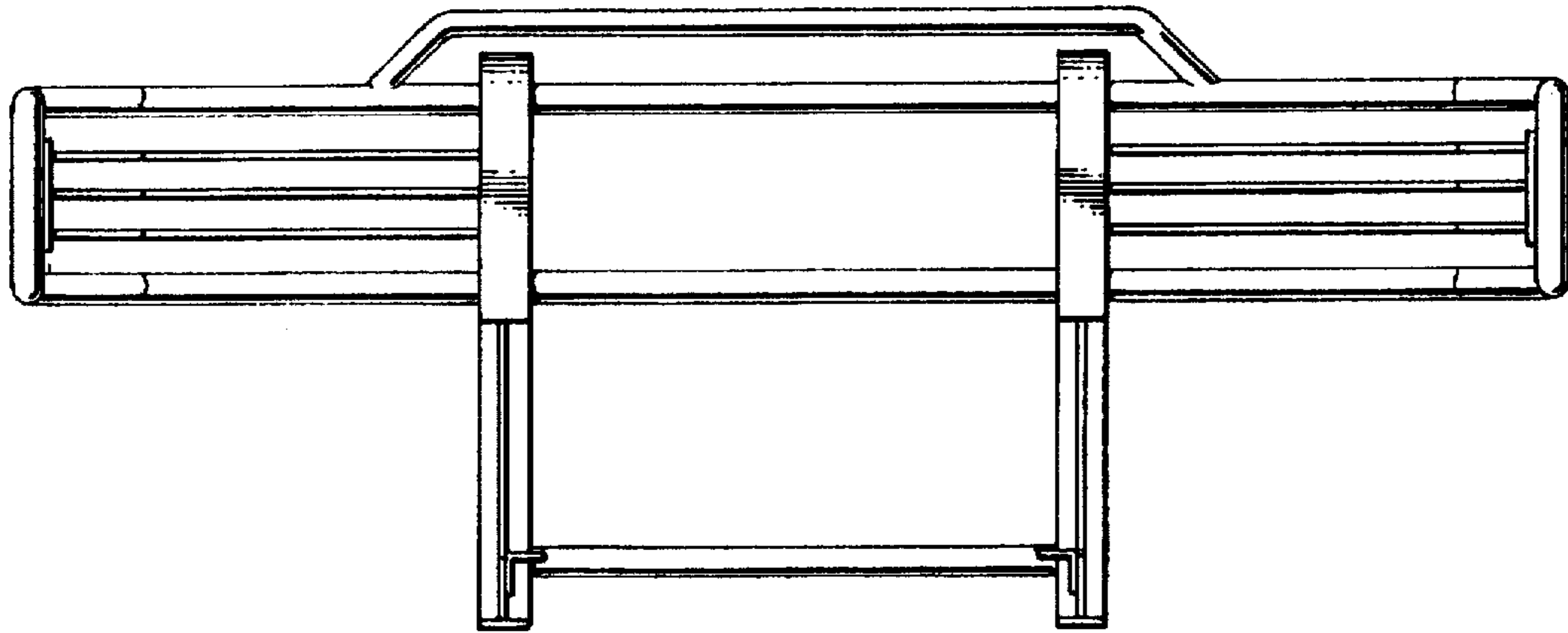


FIG. 5

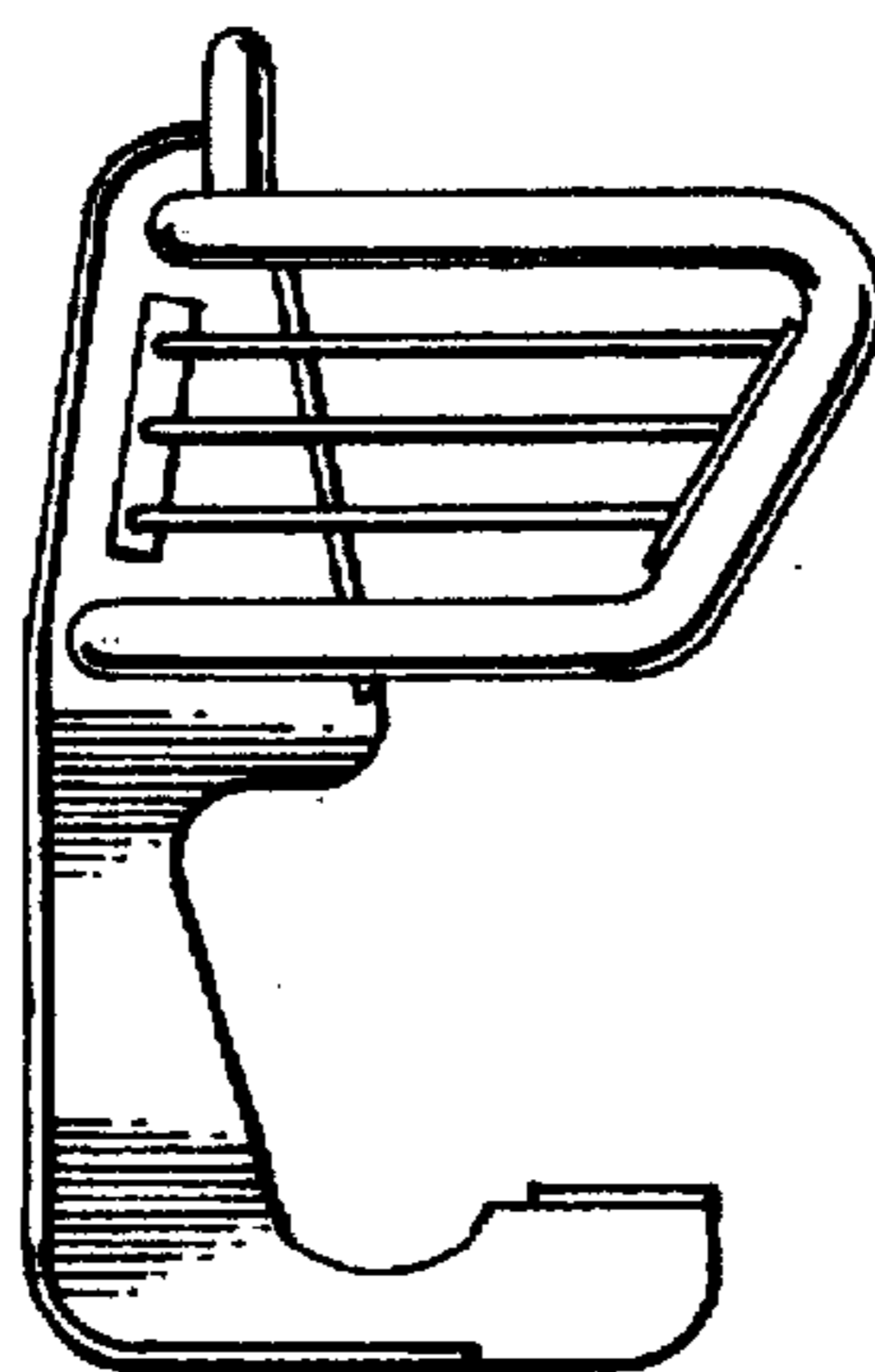
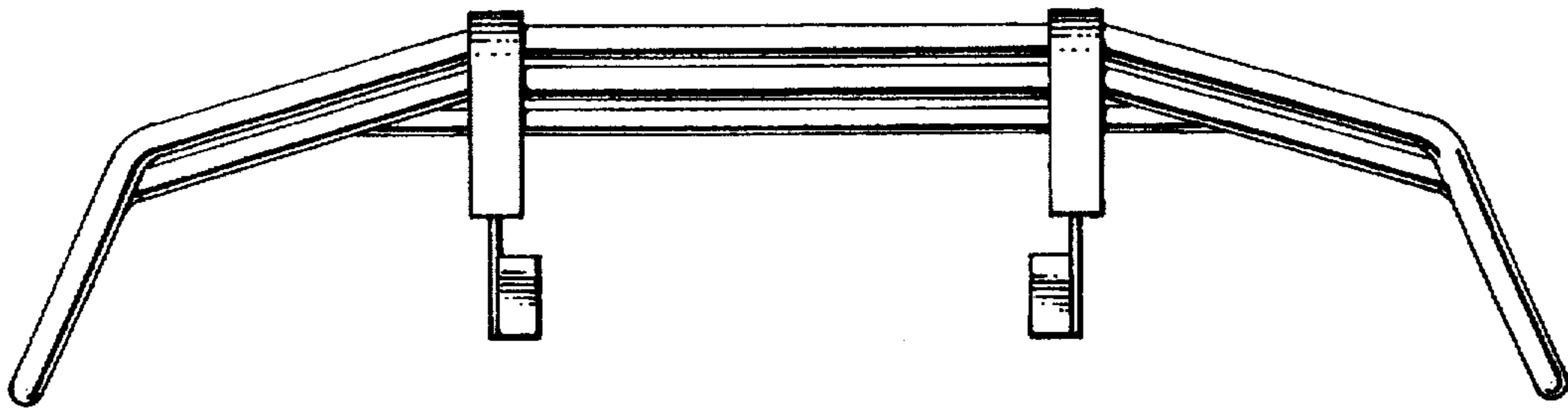


FIG. 6