



US00D383707S

United States Patent [19]
Waszkiewicz, III

[11] **Patent Number: Des. 383,707**
[45] **Date of Patent: **Sep. 16, 1997**

[54] **BEVELLED MIRRORED PLANTER**
[75] **Inventor: John C. Waszkiewicz, III, New Hartford, N.Y.**
[73] **Assignee: FasterForm Corporation, New Hartford, N.Y.**
[**] **Term: 14 Years**

D. 342,815 12/1993 Shafer D34/1
1,952,597 3/1934 Lizzola D11/144 X
1,959,800 5/1934 Rogge D11/143 X
4,318,237 3/1982 Hicks D11/145 X

Primary Examiner—Caron D. Veynar
Attorney, Agent, or Firm—Harris Beach & Wilcox LLP

[21] **Appl. No.: 47,894**
[22] **Filed: Dec. 14, 1995**

[57] **CLAIM**
The ornamental design for a bevelled mirrored planter, as shown and described.

[51] **LOC (6) Cl. 11-02**
[52] **U.S. Cl. D11/155**
[58] **Field of Search D11/143, 144, D11/145, 155, 156, 164; D6/403, 556; D19/77, 85; D34/1; 47/33, 66, 68, 69, 72, 39, 40, 41.01, 44; 206/423; 248/27.8**

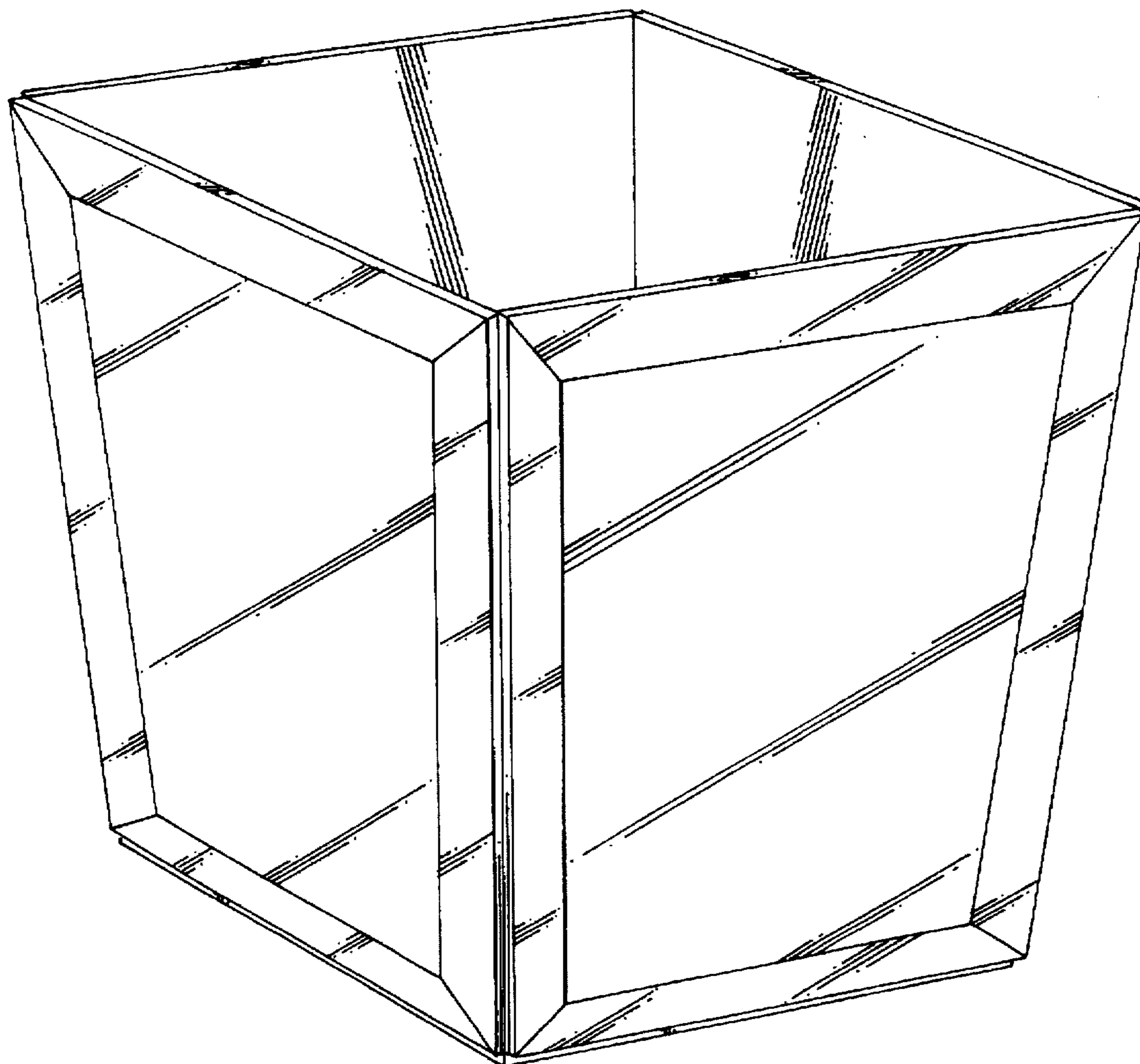
DESCRIPTION

FIG. 1 is a perspective view illustrating my new design;
FIG. 2 is a front elevation thereof; the undisclosed side views and rear elevation being substantially mirror images;
FIG. 3 is a bottom view thereof; and,
FIG. 4 is a top view thereof.

[56] **References Cited**
U.S. PATENT DOCUMENTS

D. 327,234 6/1992 Vaughn D11/164 X

1 Claim, 2 Drawing Sheets



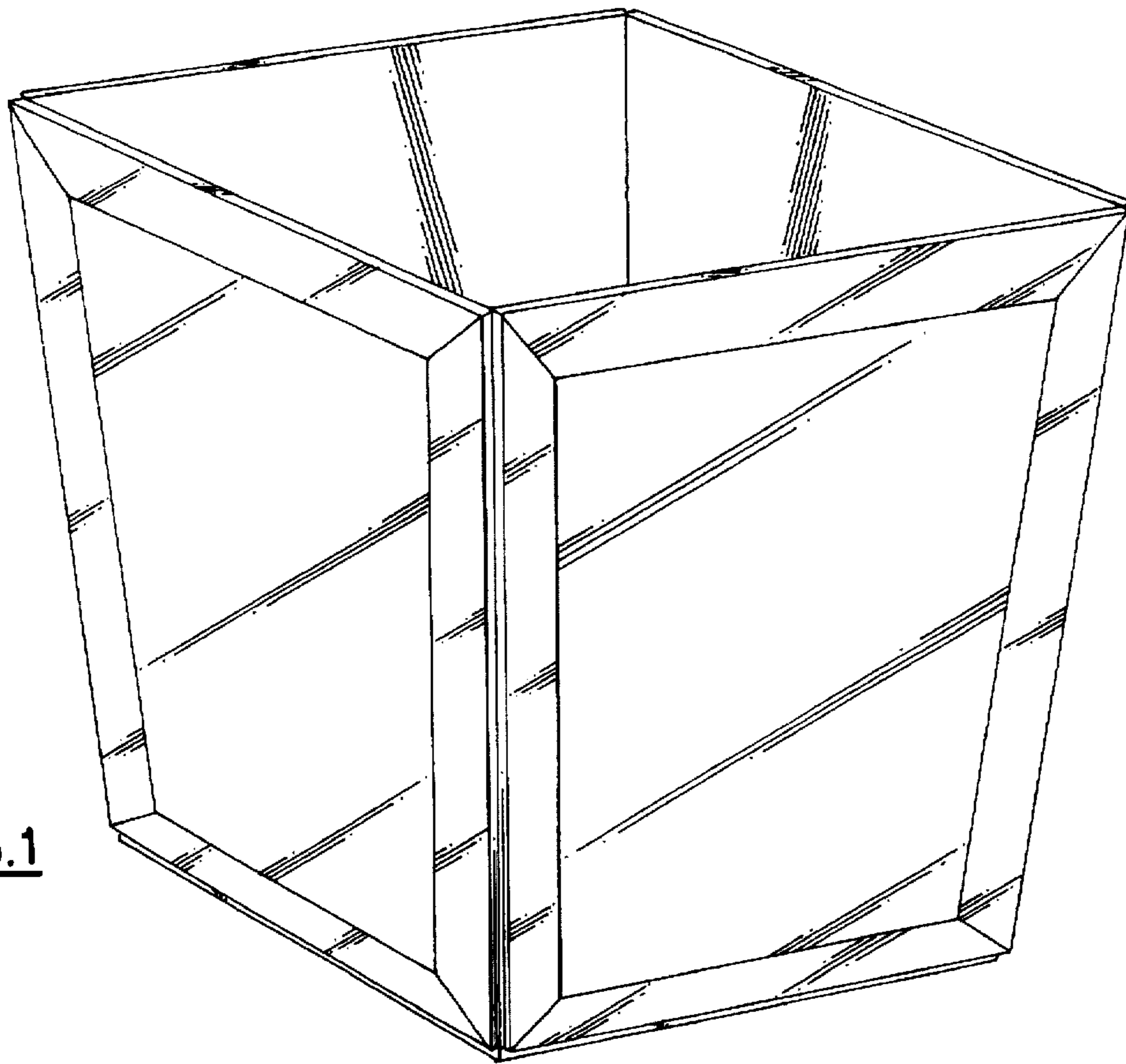


FIG. 1

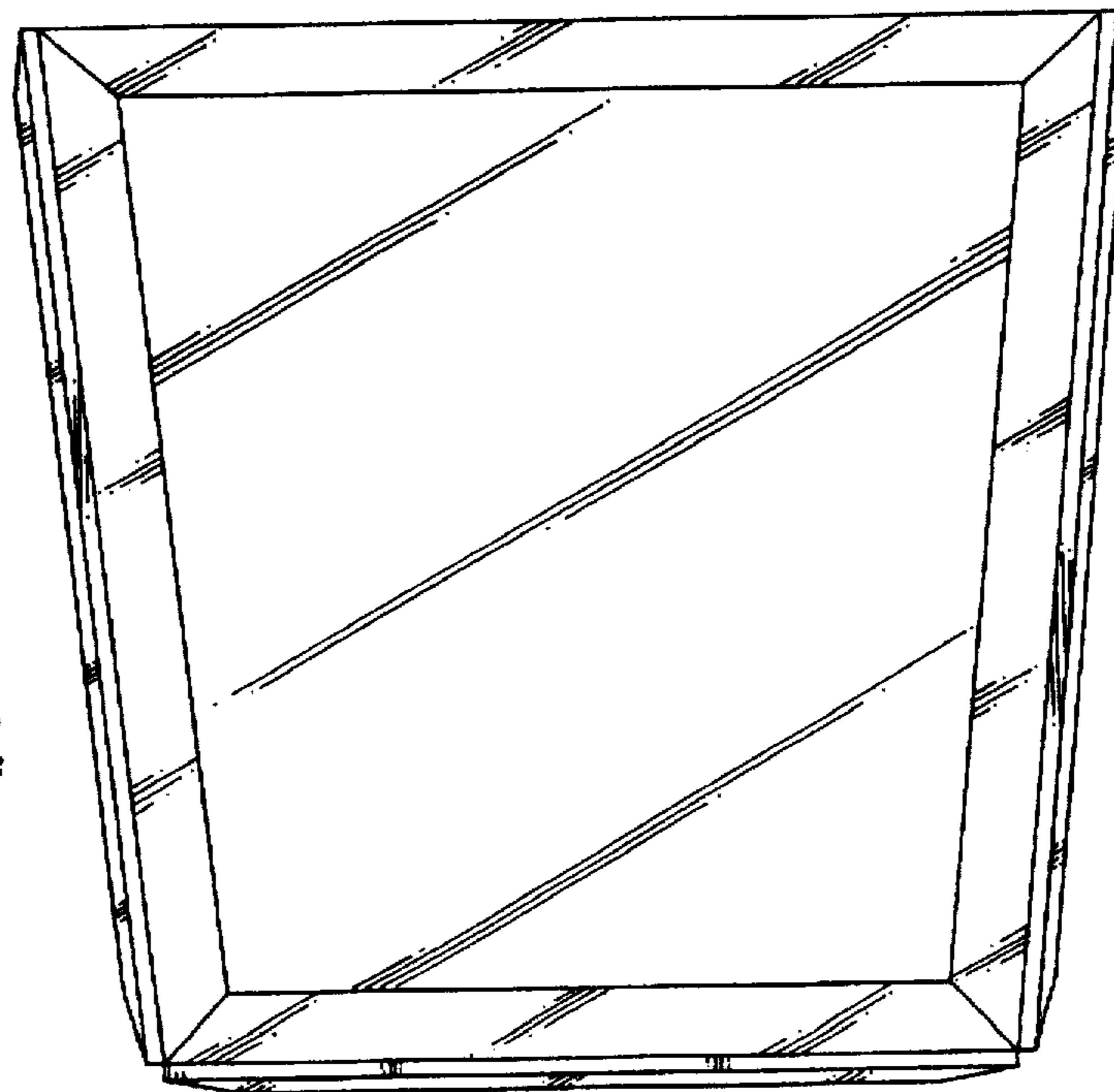


FIG. 2

FIG.3

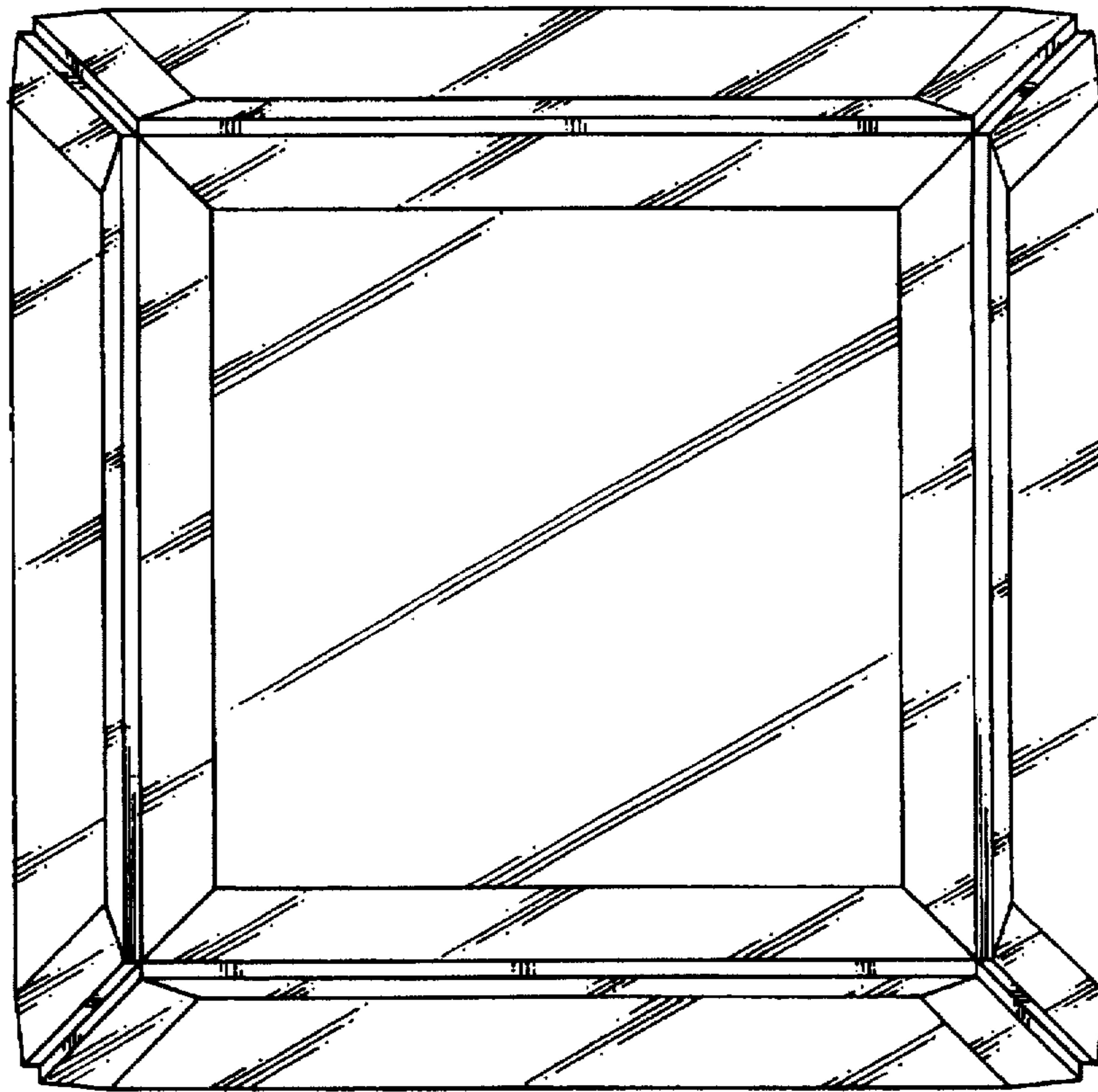


FIG.4

