



US00D383690S

United States Patent [19]

Issa

[11] Patent Number: **Des. 383,690**

[45] Date of Patent: ****Sep. 16, 1997**

[54] SECURITY SYSTEM HOUSING AND SIREN

D. 347,596 6/1994 Jackson D10/120
D. 370,862 6/1996 John-Hurlock D10/116

[76] Inventor: **Darrell E. Issa**, 2560 Progress St.,
Vista, Calif. 92083

Primary Examiner—Marcus A. Jackson
Attorney, Agent, or Firm—Sam Talpalatsky

[**] Term: **14 Years**

[57] CLAIM

[21] Appl. No.: **58,899**

The ornamental design of security system housing and siren, as shown and described.

[22] Filed: **Aug. 27, 1996**

DESCRIPTION

[51] LOC (6) Cl. **10-06**

[52] U.S. Cl. **D10/120**

[58] Field of Search D10/104, 106,
D10/116, 118, 119, 120, 121; 340/540,
541, 545, 404, 405, 406, 407; 116/137,
140, 142, 147

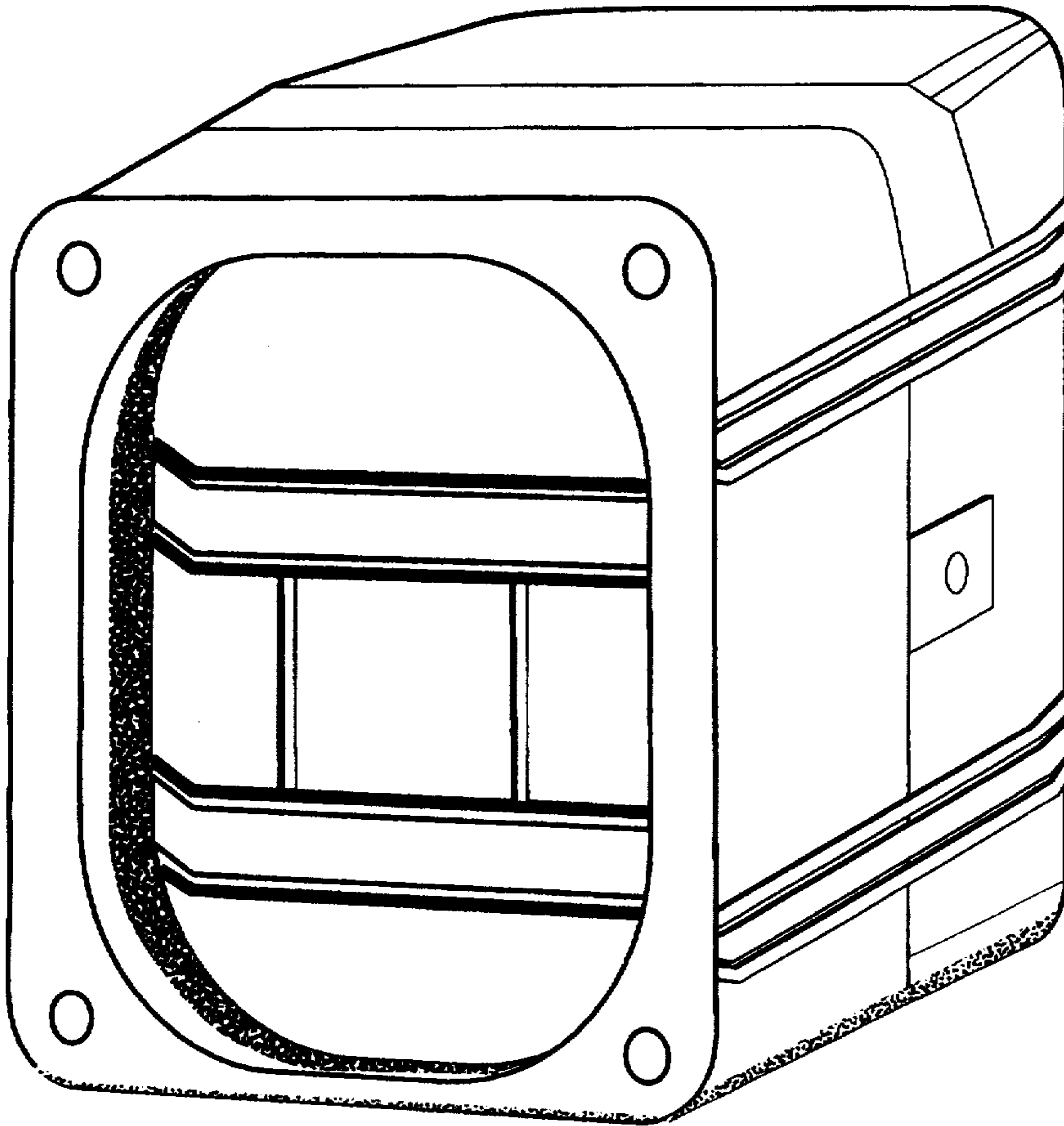
FIG. 1 is a front plan view of the security system housing and siren showing my new design;
FIG. 2 is a back plan view thereof;
FIG. 3 is the top plan view thereof;
FIG. 4 is the bottom plan view thereof;
FIG. 5 is the left side plan view thereof;
FIG. 6 is the right side plan view thereof; and,
FIG. 7 is the elevational view thereof.

[56] References Cited

U.S. PATENT DOCUMENTS

D. 313,195 12/1990 Memmola D10/120
D. 314,720 2/1991 Chen D10/120

1 Claim, 2 Drawing Sheets



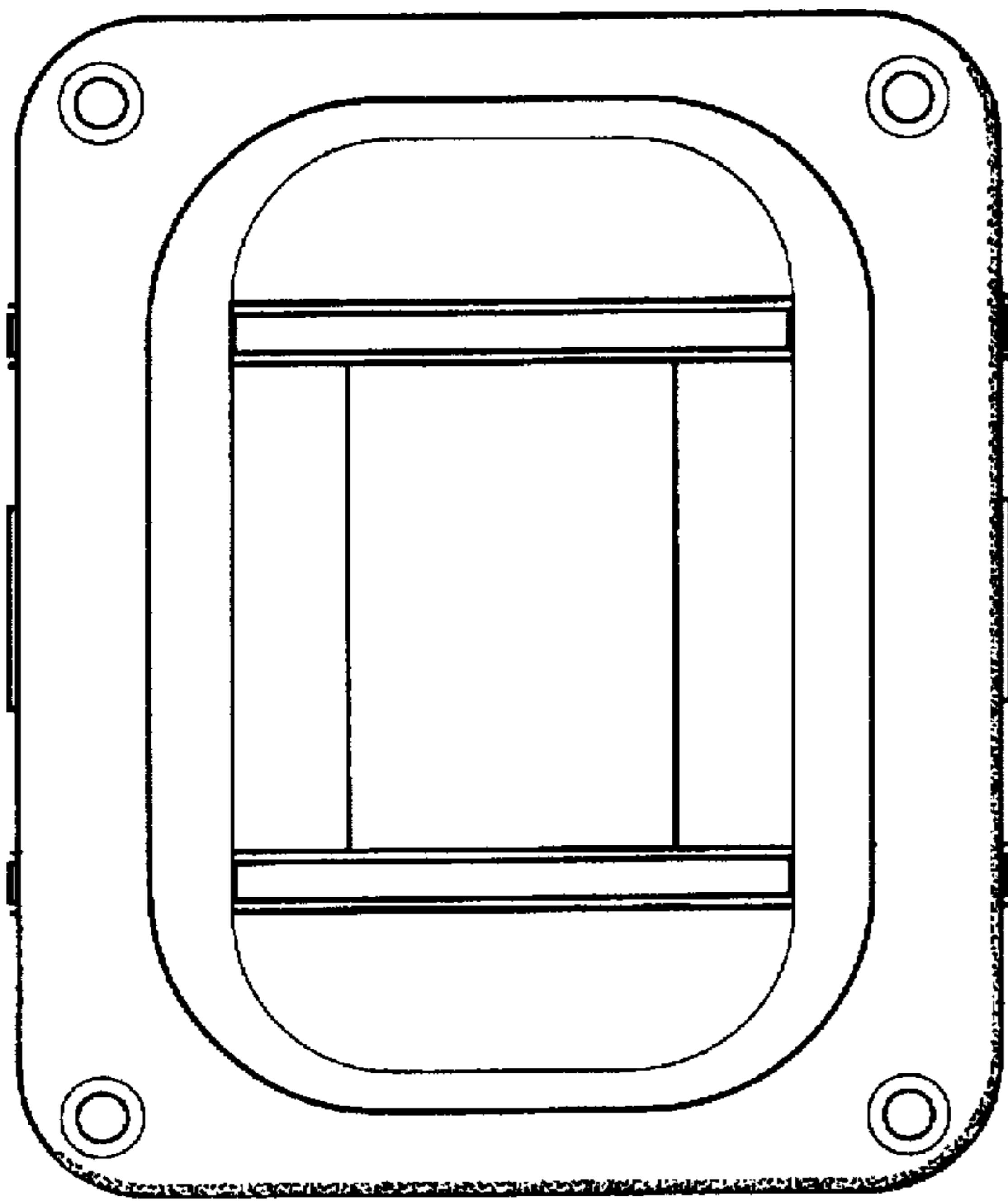


FIGURE 1

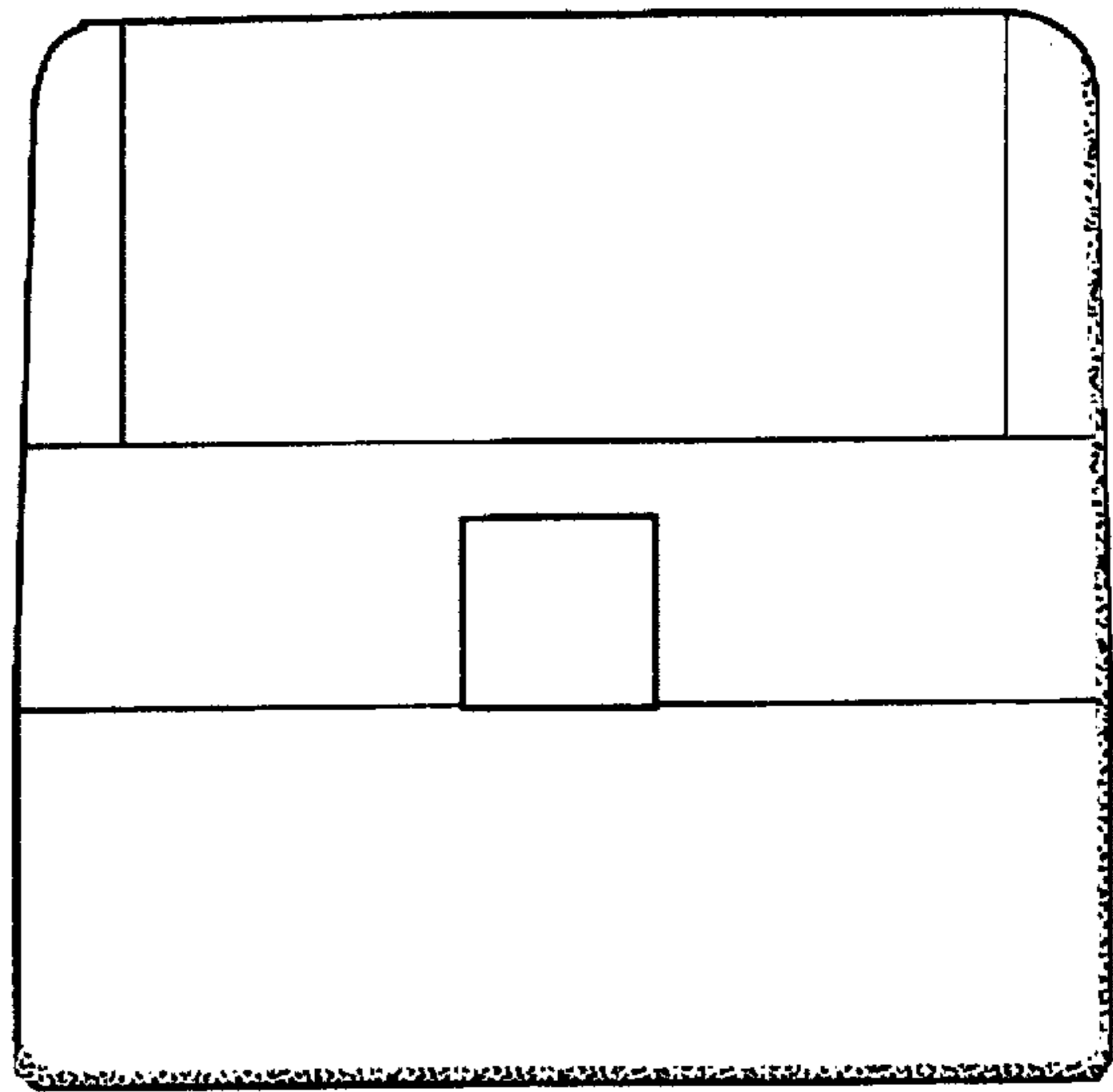


FIGURE 4

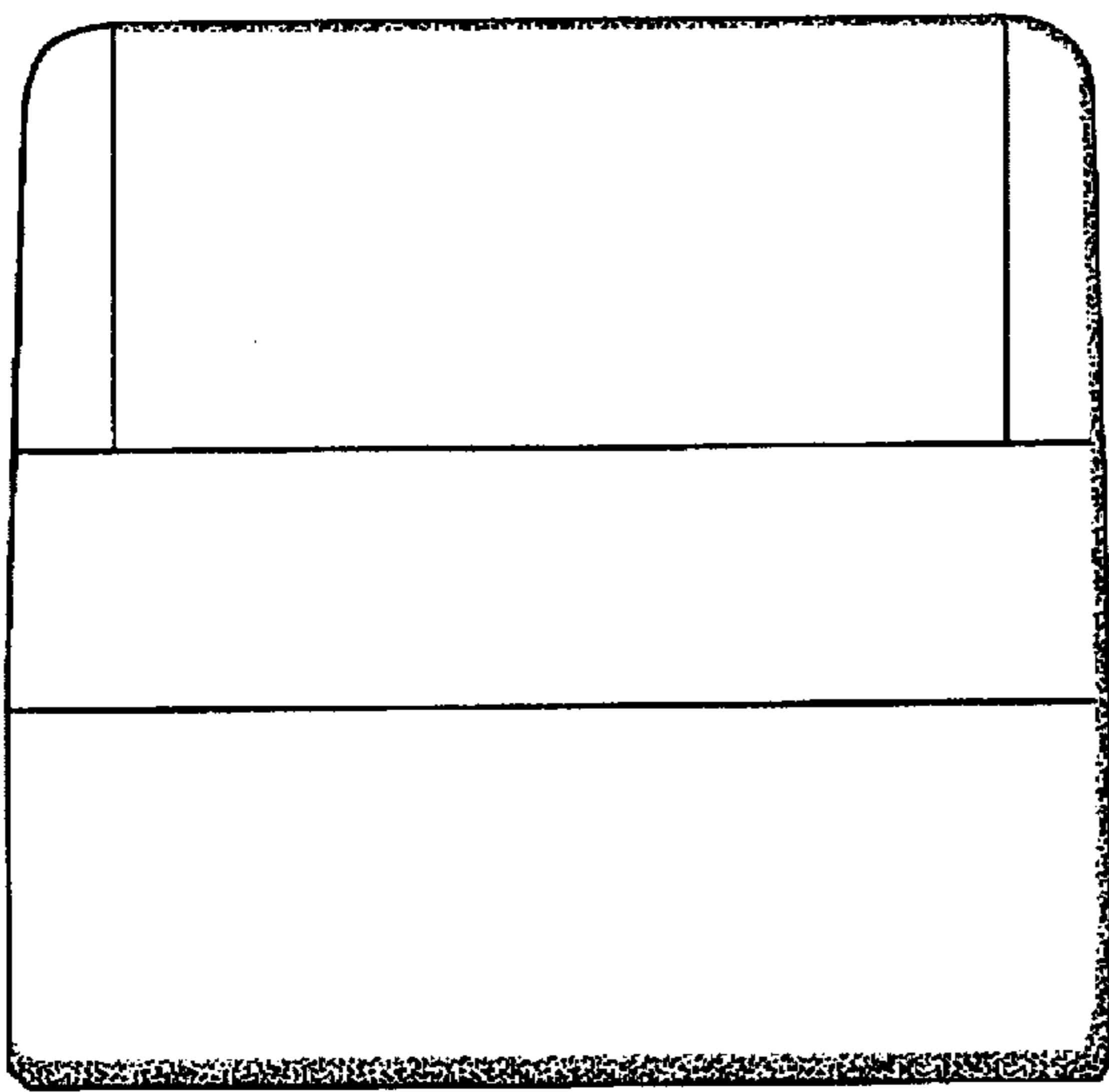


FIGURE 3

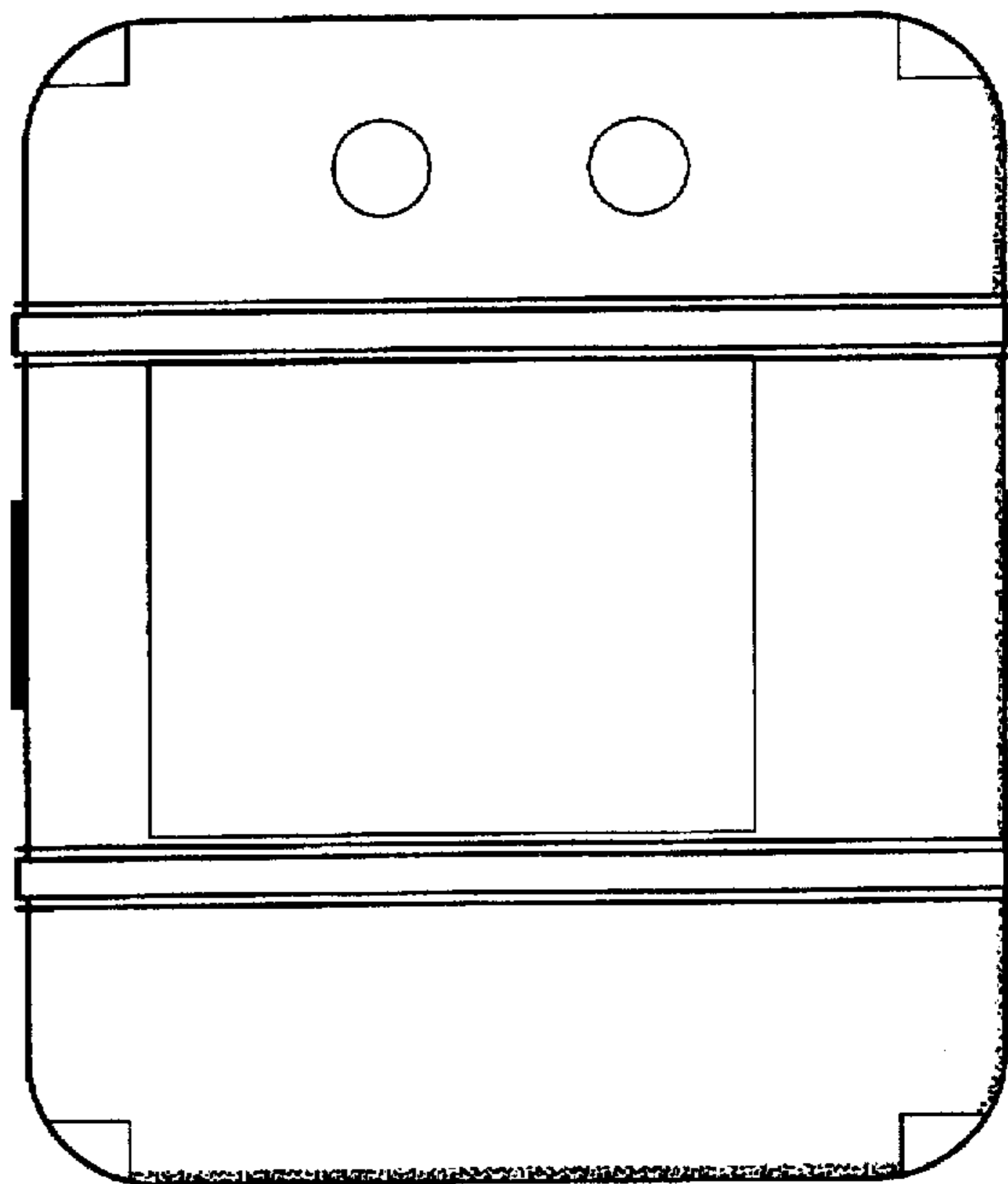


FIGURE 2

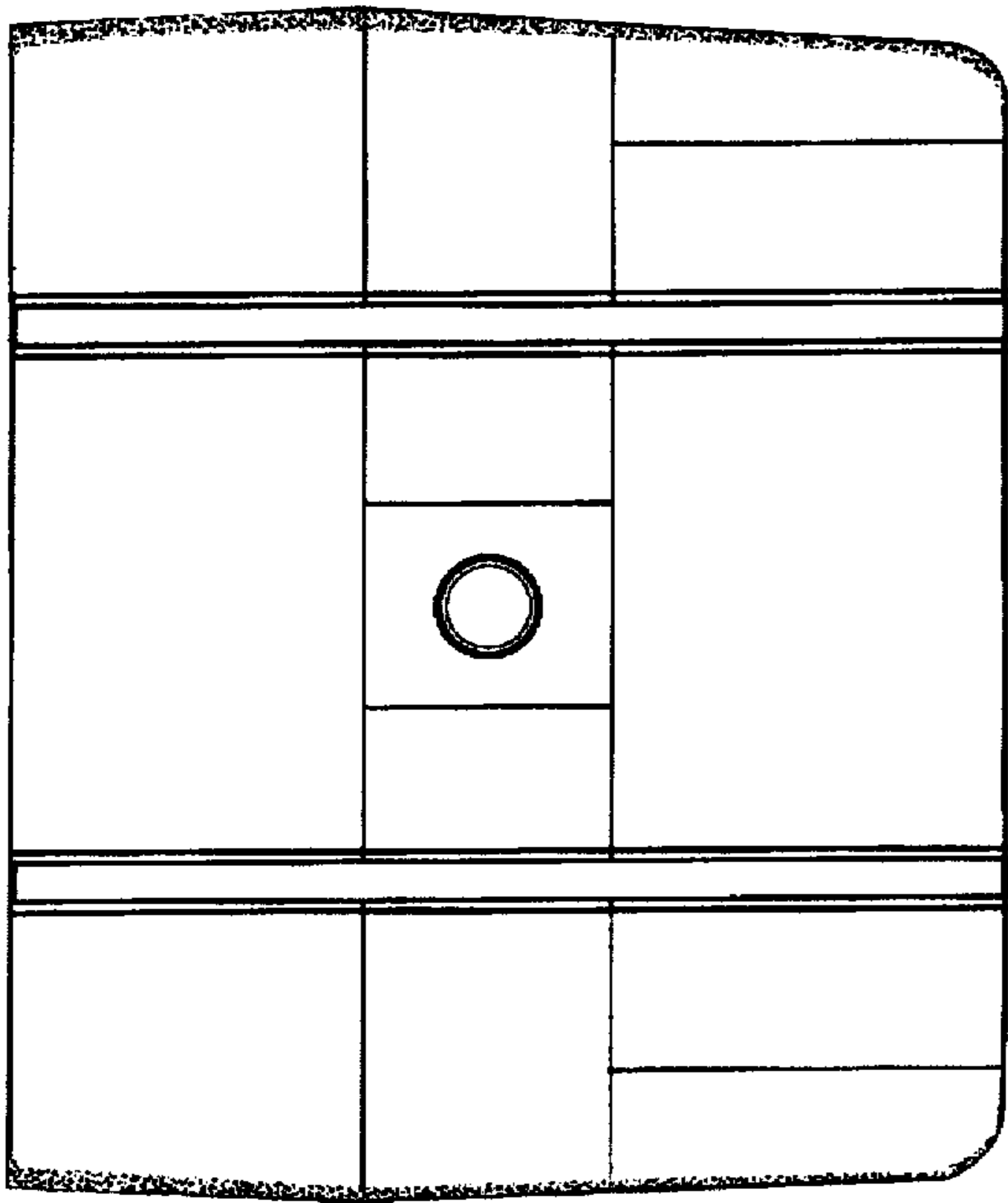


FIGURE 5

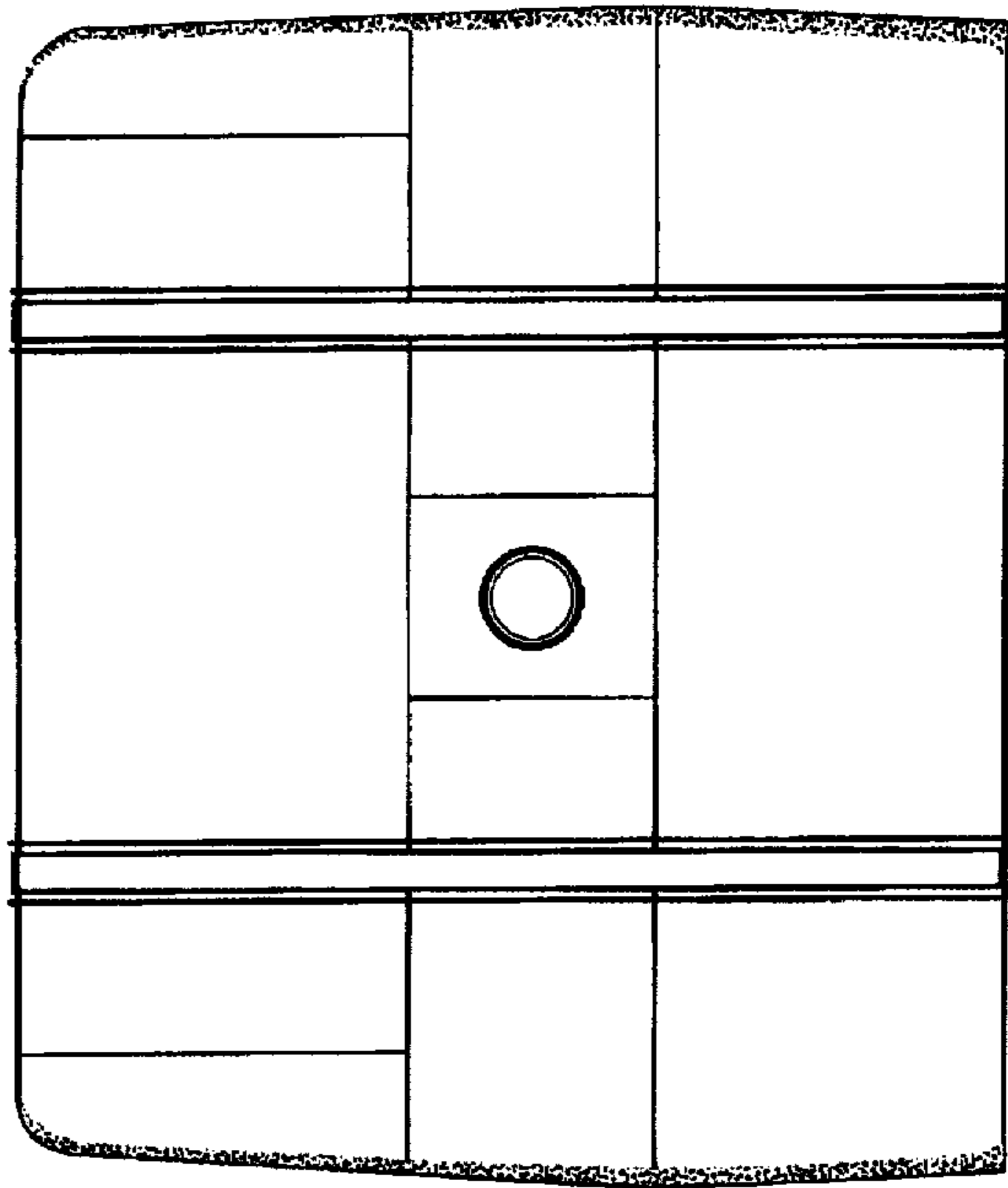


FIGURE 6

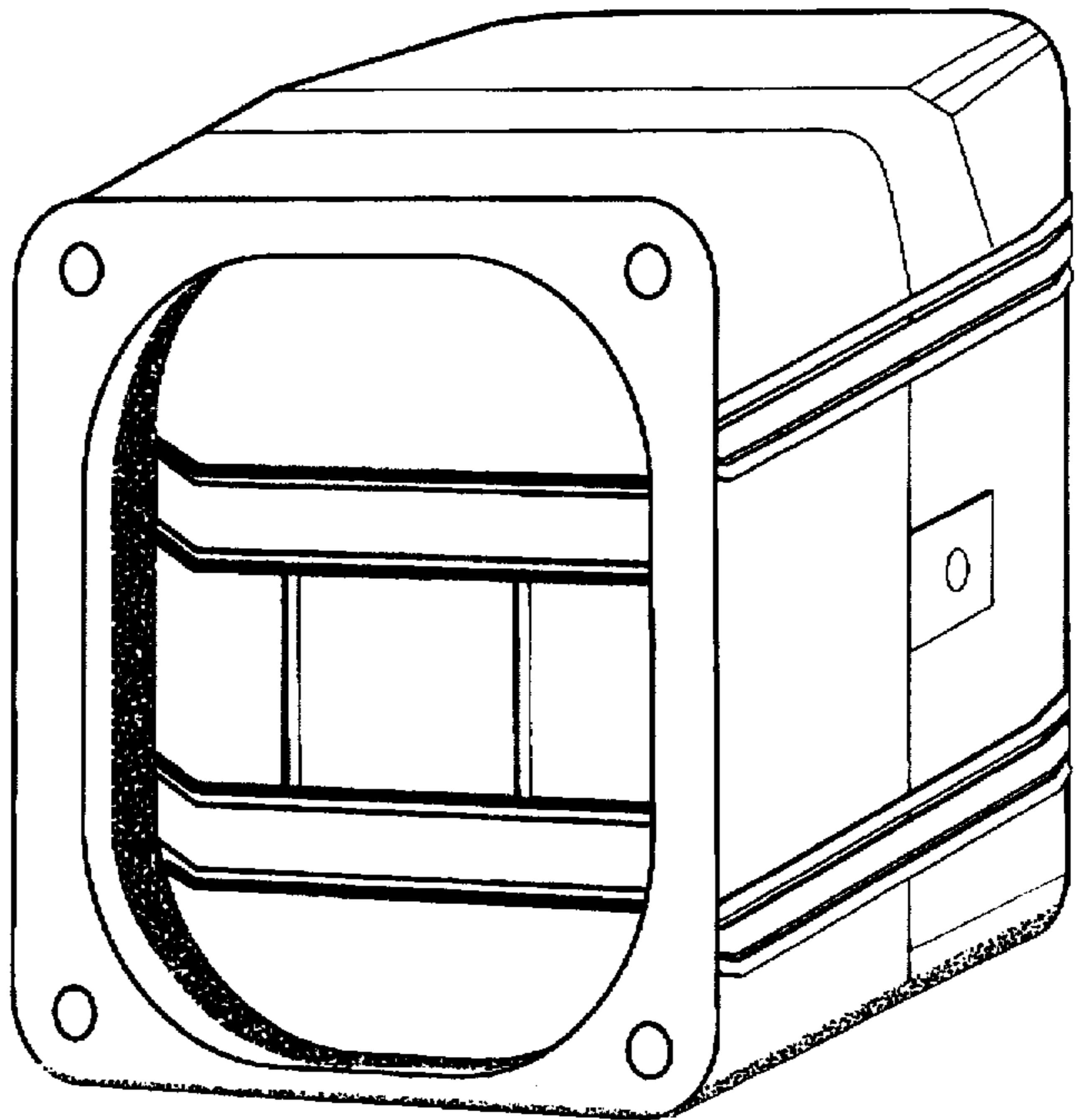


FIGURE 7