



US00D383684S

United States Patent [19]

[11] Patent Number: Des. 383,684

Selby et al.

[45] Date of Patent: **Sep. 16, 1997

[54] STATOR CONNECTOR WITH GENERALLY UPRIGHT ATTACHMENT MEMBER THERETO WITH GENERALLY L-SHAPED NOTCH THEREIN FOR ATTACHMENT TO A LOWER END OF A VISCOMETER MODULE OF A SENSITIVE ROTATIONAL VISCOMETER

Attorney, Agent, or Firm—Christopher John Rudy

[57] CLAIM

The ornamental design for a stator connector with generally upright attachment member thereto with generally L-shaped notch therein for attachment to a lower end of a viscometer module of a sensitive rotational viscometer, as shown and described.

[75] Inventors: Theodore W. Selby; Gregory C. Miller, both of Midland; James Louis Kovacs, Mt. Pleasant, all of Mich.

DESCRIPTION

[73] Assignee: Tannas Co., Midland, Mich.

[**] Term: 14 Years

[21] Appl. No.: 57,609

[22] Filed: Jul. 29, 1996

Related U.S. Application Data

[63] Continuation-in-part of Ser. No. 486,881, Jun. 7, 1995, Pat. No. 5,548,994.

[51] LOC (6) Cl. 10-04

[52] U.S. Cl. D10/80

[58] Field of Search D8/373, 376; D10/46, D10/80, 96; 73/54.28, 54.33, 54.35, 59

FIG. 1 is perspective view of stator connector with generally upright attachment member thereto with generally L-shaped notch therein for attachment to a lower end of a viscometer module of a sensitive rotational viscometer embodying our design;

FIG. 2 is a right side view in elevation thereof, the left side being a mirror image thereof;

FIG. 3 is a front view in elevation thereof;

FIG. 4 is a rear view in elevation thereof;

FIG. 5 is a top view thereof;

FIG. 6 is a bottom view thereof;

FIG. 7 is a top view of another embodiment of our design, which has a generally V-shaped notch visible in a base member thereof. Other views of this embodiment are analogous to the stator connector of FIGS. 1-6;

FIG. 8 is a top view of another embodiment of our design, which has a generally V-shaped notch visible in a base member thereof, the base member being generally elliptical in top and bottom profile otherwise. Other views of this embodiment are analogous to the stator connector of FIGS. 1-6; and,

FIG. 9 is a top view of another embodiment of our design, which has a generally elliptical in top and bottom profile base member. Other views of this embodiment are analogous to the stator connector of FIGS. 1-6.

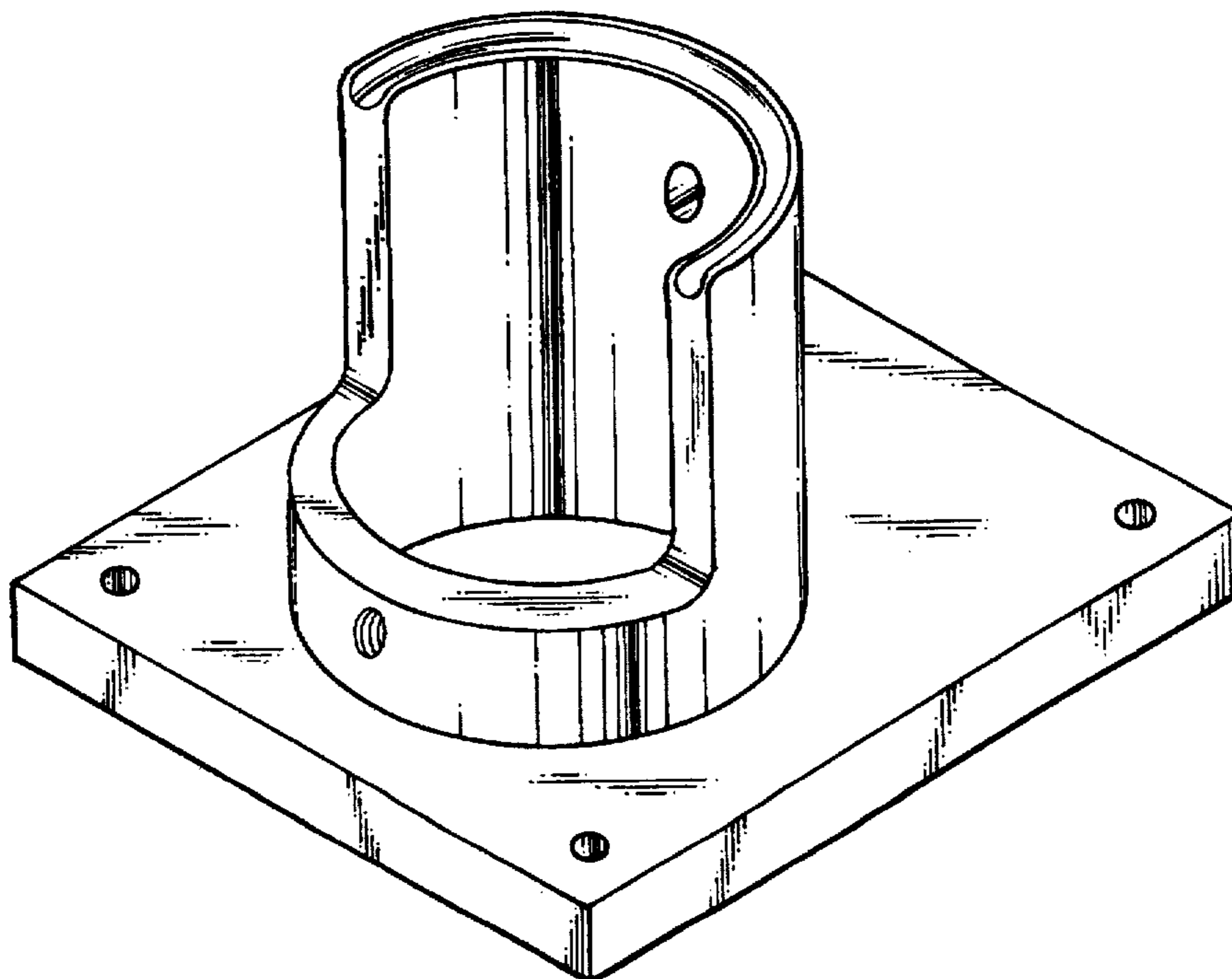
[56] References Cited

U.S. PATENT DOCUMENTS

D. 364,351	11/1995	Van Meter et al.	D10/80
D. 376,113	12/1996	Van Meter et al.	D10/80
5,513,517	5/1996	Van Meter et al.	73/54.28
5,548,994	8/1996	Selby et al.	73/54.28

Primary Examiner—Antoine Duval Davis

1 Claim, 3 Drawing Sheets



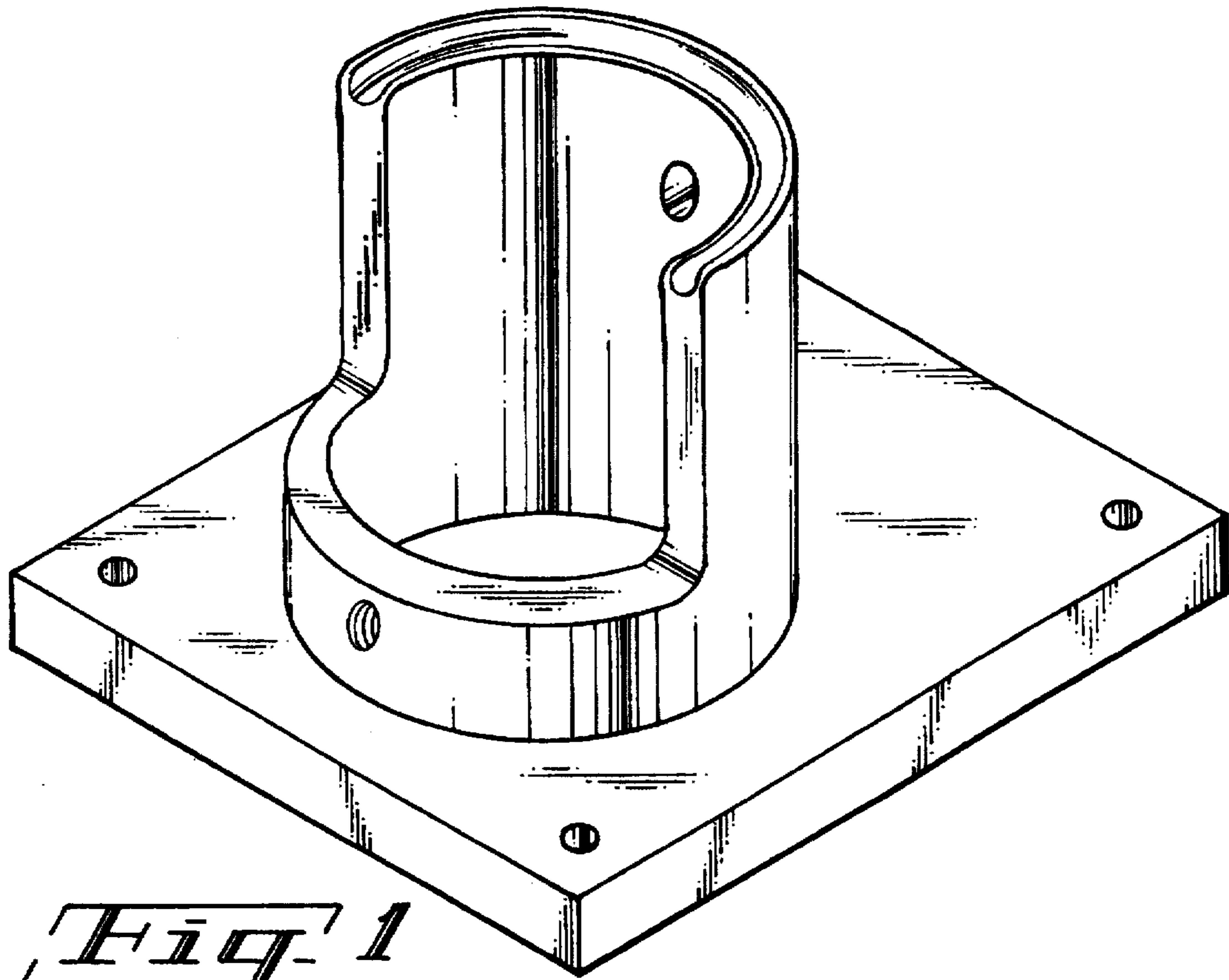


Fig. 1

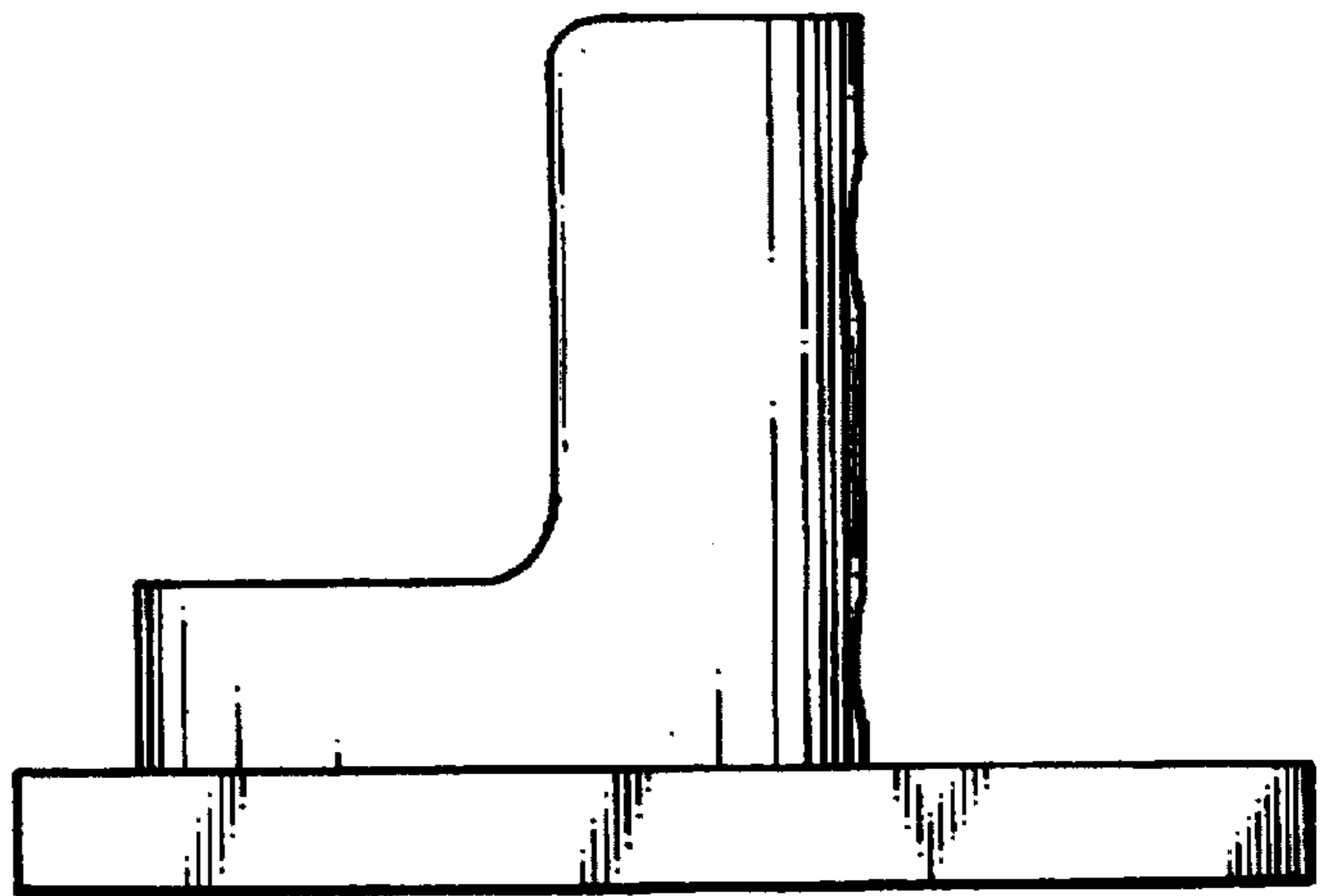


Fig. 2

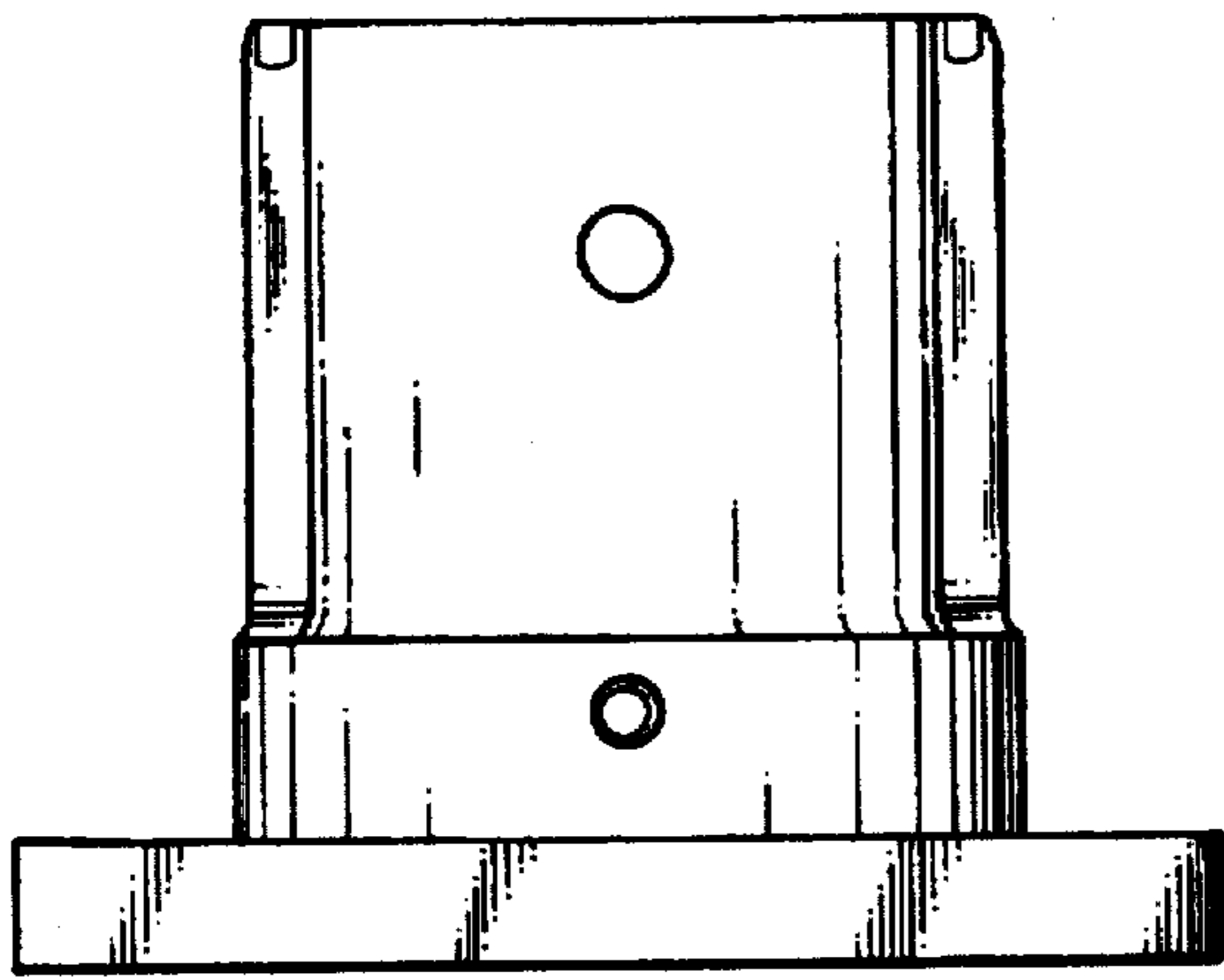


Fig. 3

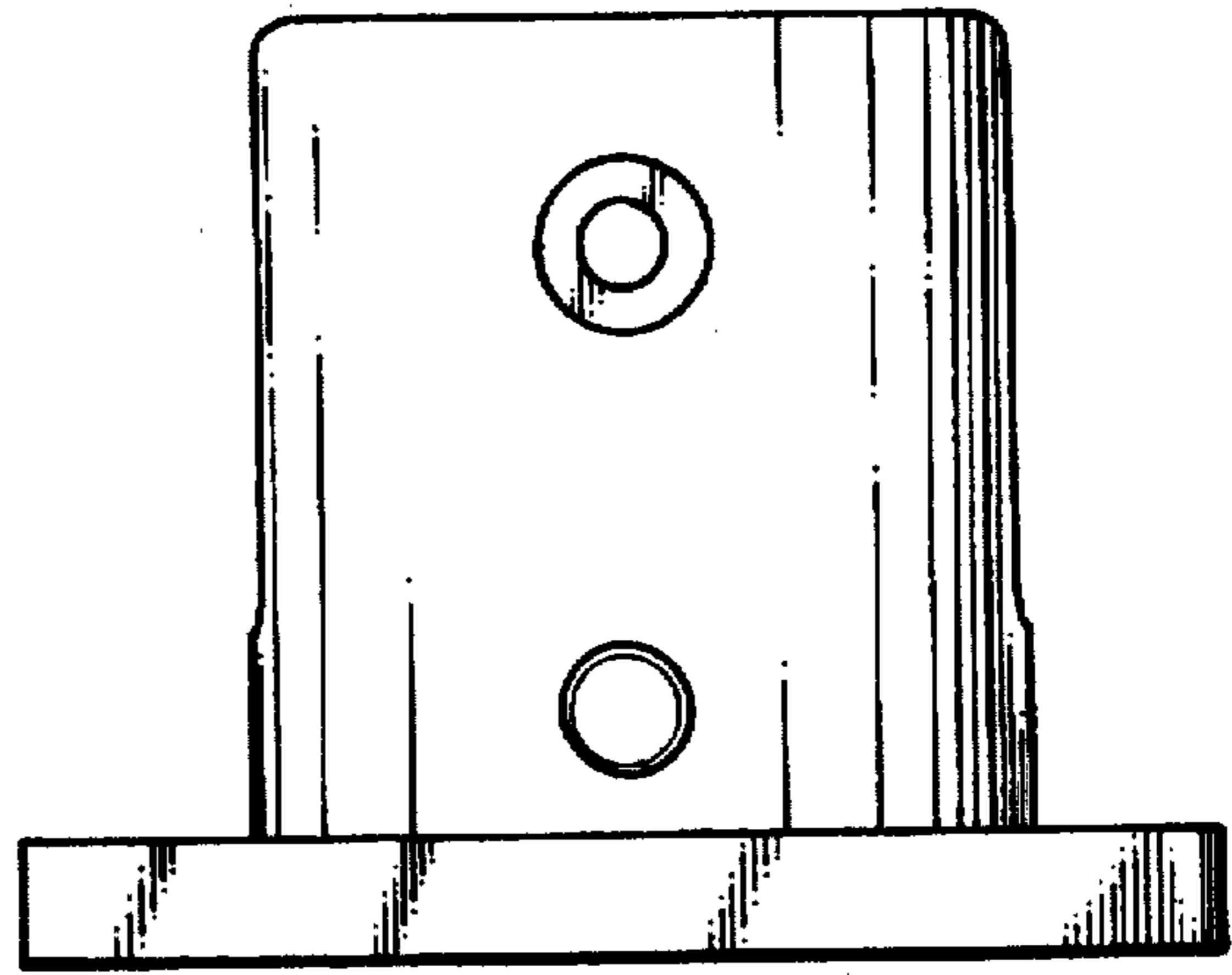


Fig. 4

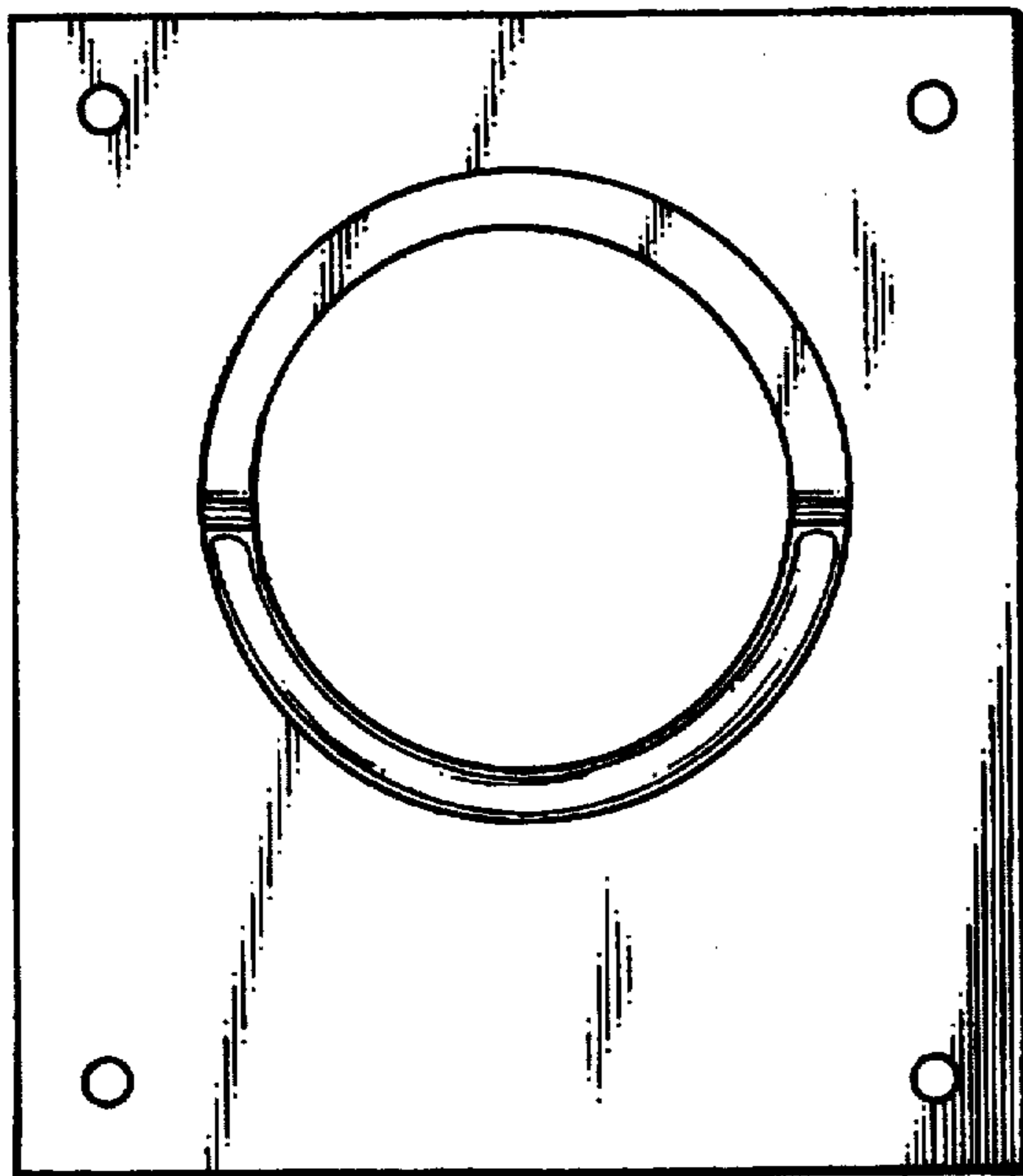


Fig. 5

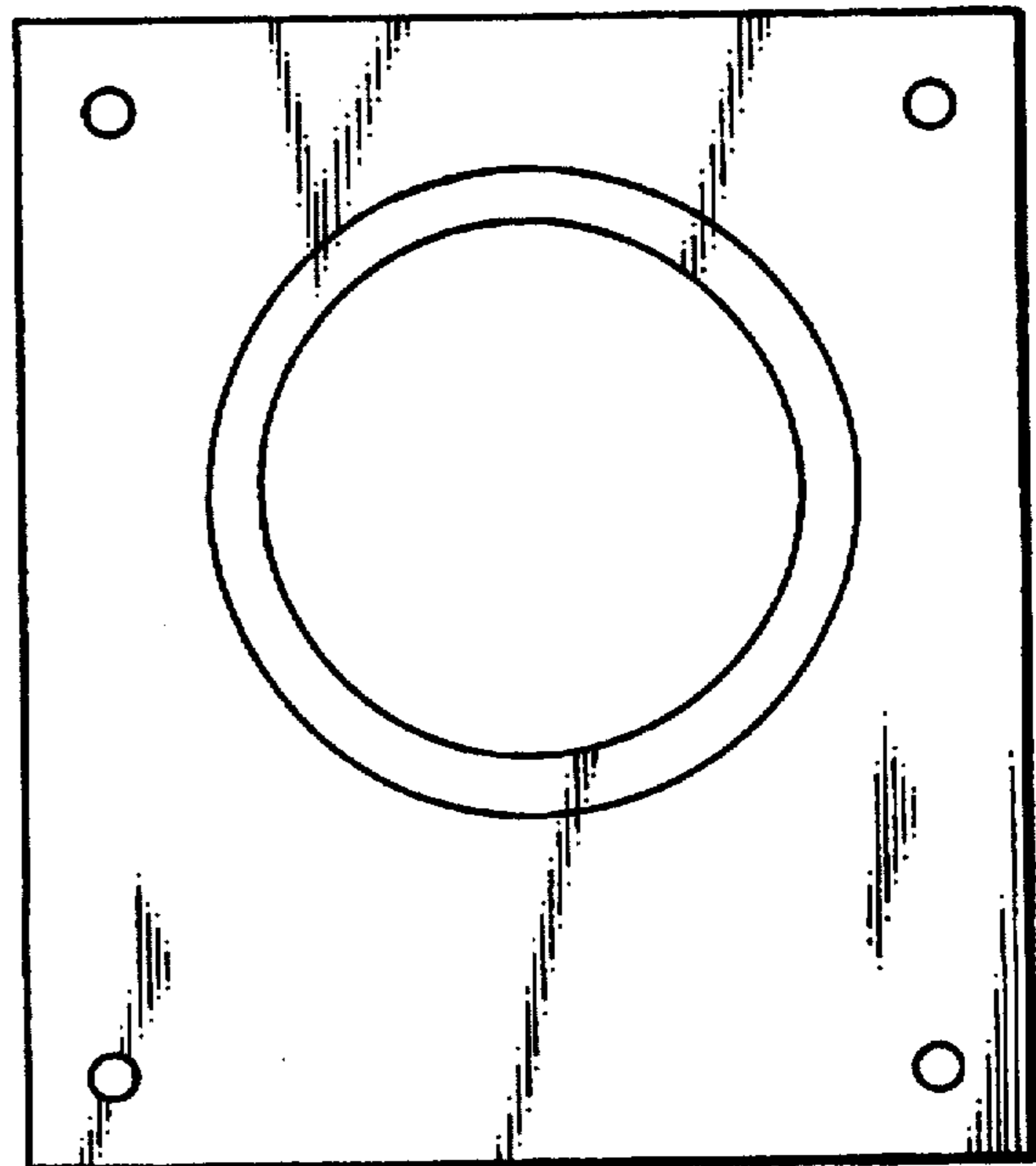


Fig. 6

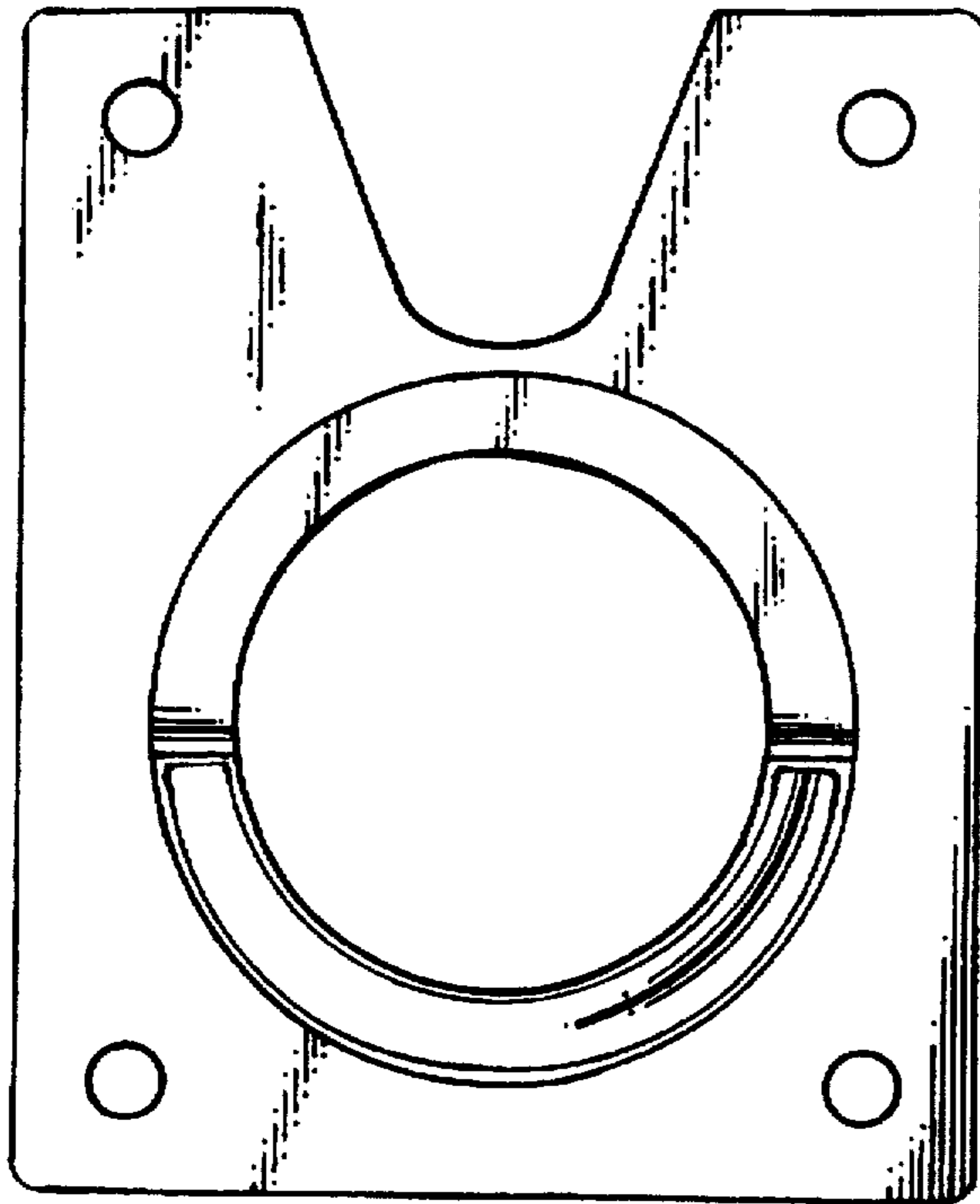


Fig. 1

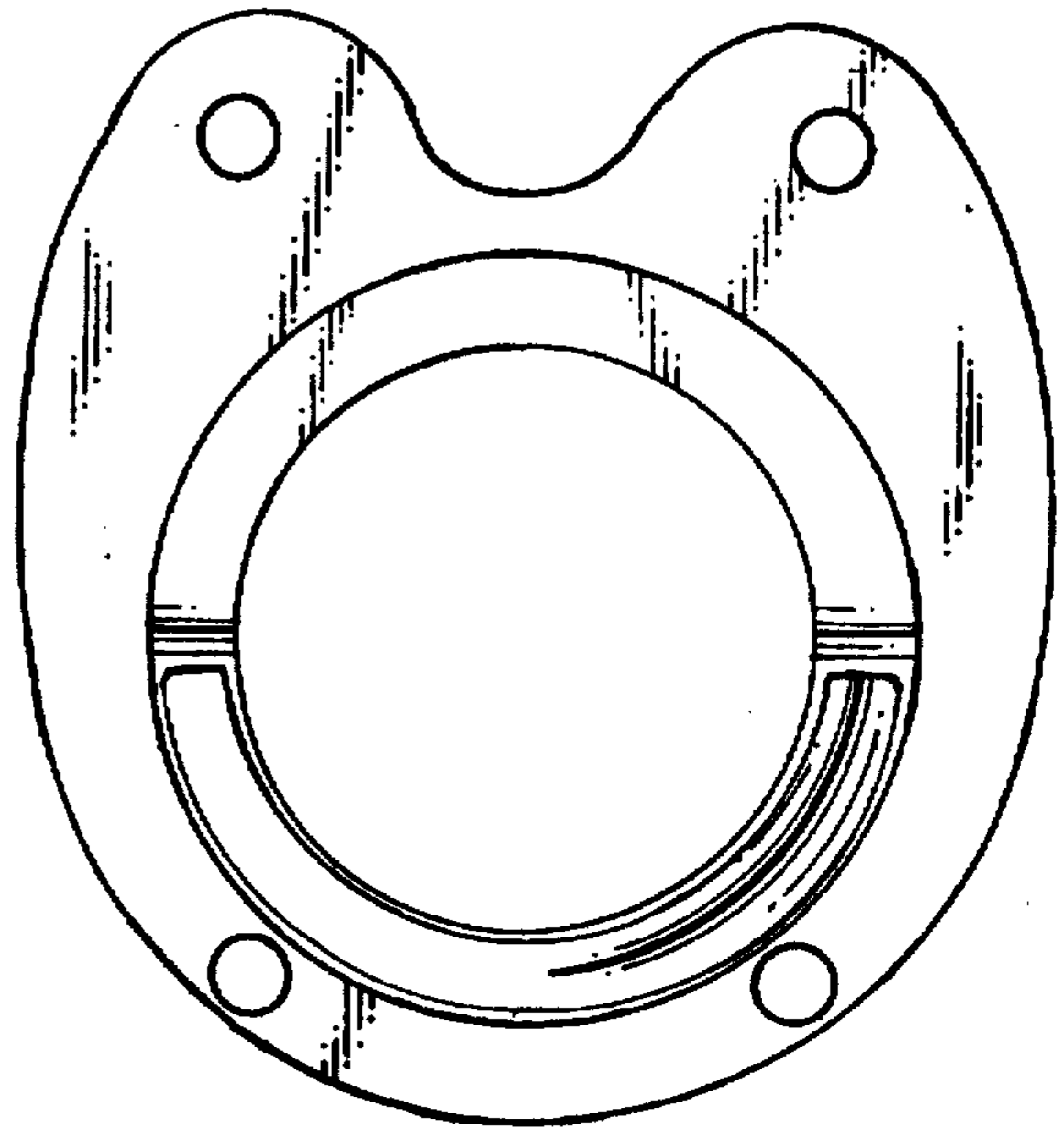


Fig. 2

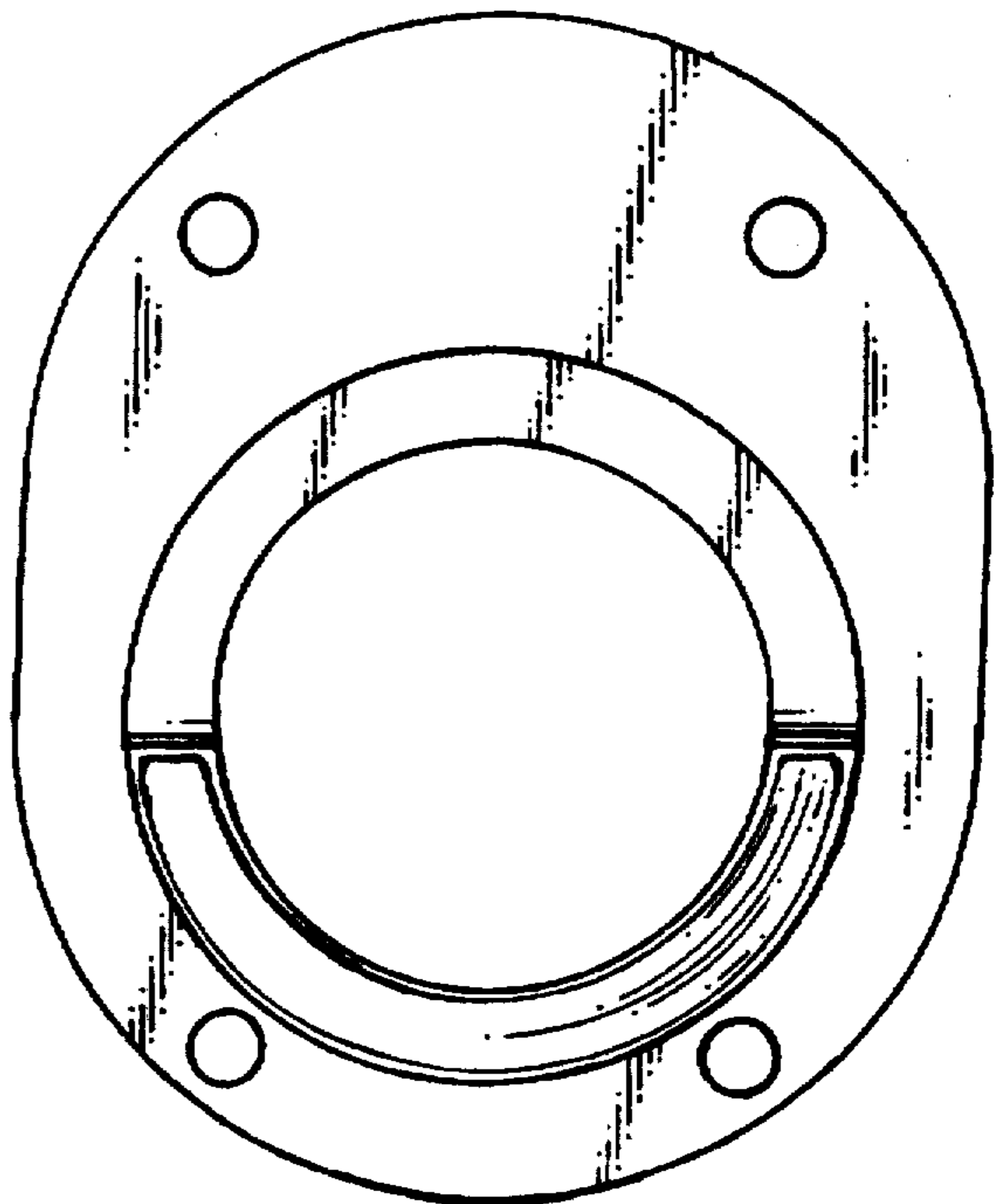


Fig. 3