



US00D383681S

United States Patent [19]

Chiappetta et al.

[11] Patent Number: Des. 383,681

[45] Date of Patent: **Sep. 16, 1997

[54] **ELECTRONIC SPEED DETECTOR FOR SPORTING ACTIVITIES**

5,357,487 10/1994 Coleman, III 368/108 X

[76] Inventors: **John Chiappetta**, 62 Fieldcroft Court, Maple, Ontario, Canada, L6A 1J3;
Mark John Francis, 303 Melita Avenue, Toronto, Ontario, Canada, M6G 3X1

Primary Examiner—Antoine Duval Davis
Attorney, Agent, or Firm—Adrian Zahl

[57] CLAIM

The ornamental design for an electronic speed detector for sporting activities, as shown.

[**] Term: 14 Years

DESCRIPTION

[21] Appl. No.: 55,421

FIG. 1 is a side elevational view of the device, with the handle in the fully open position;

[22] Filed: Jun. 5, 1996

FIG. 2 is a rear elevational view with the handle in the fully open position;

[51] LOC (6) Cl. 10-03

[52] U.S. Cl. D10/40; D10/96; D10/97; D10/98

FIG. 3 is a front elevational view with the handle in the fully open position;

[58] Field of Search D10/40, 41, 30, D10/31, 37, 96, 97, 98; 368/107-113; 340/670; 324/160-180

FIG. 4 is a side elevational view with the handle in the fully closed position;

FIG. 5 is a side elevational view with the handle in the partly open position;

[56] References Cited

U.S. PATENT DOCUMENTS

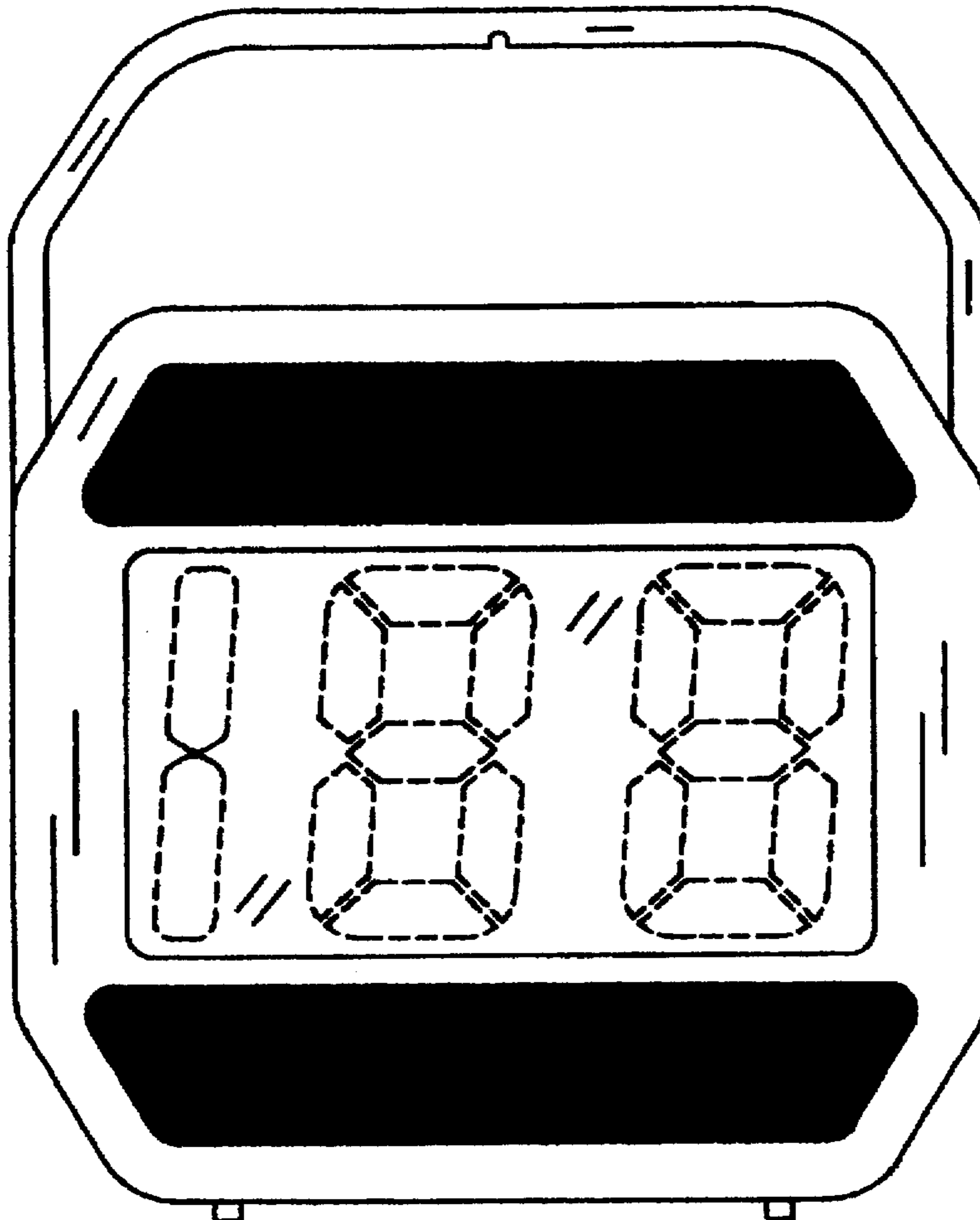
D. 331,018 11/1992 Watanabe et al. D10/40 X
D. 359,003 6/1995 Davis et al. D10/40

FIG. 6 is a top plan view; and,

FIG. 7 is a bottom plan view thereof.

The numbers shown in broken lines in FIG. 3 do not comprise an element of the design.

1 Claim, 3 Drawing Sheets



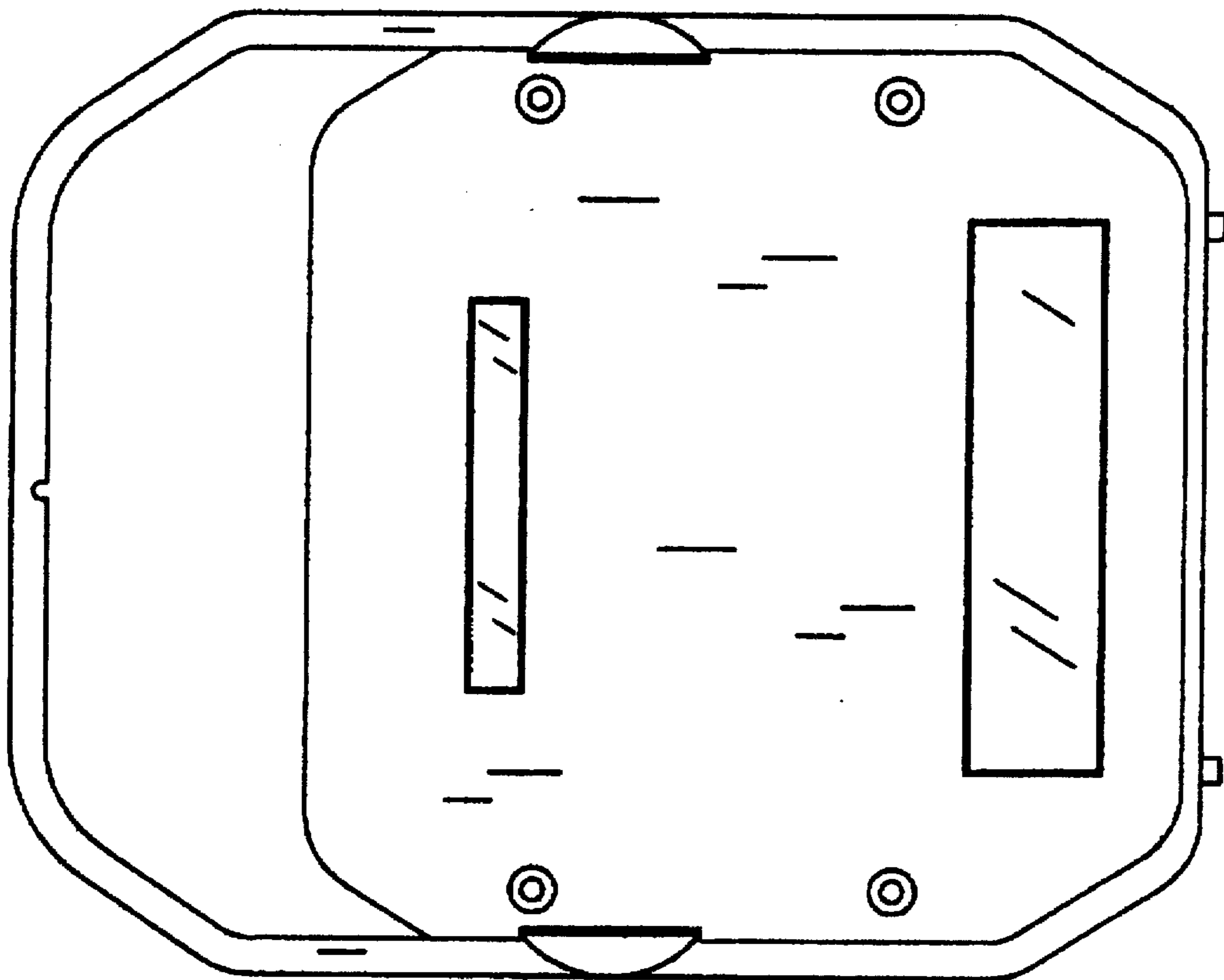


FIG. 1

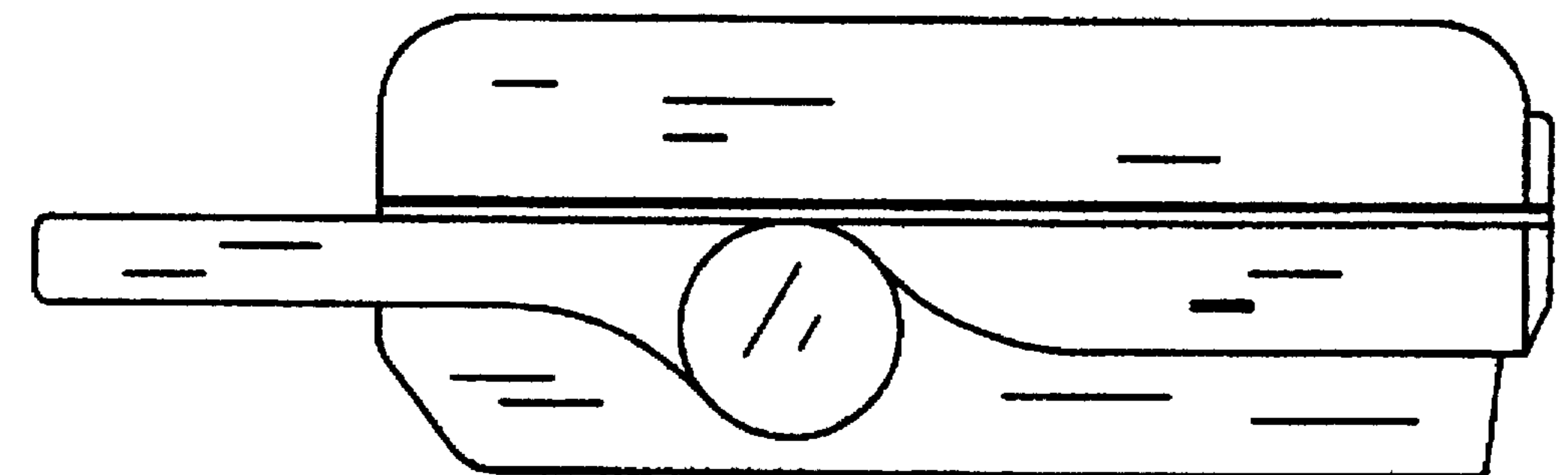


FIG. 2

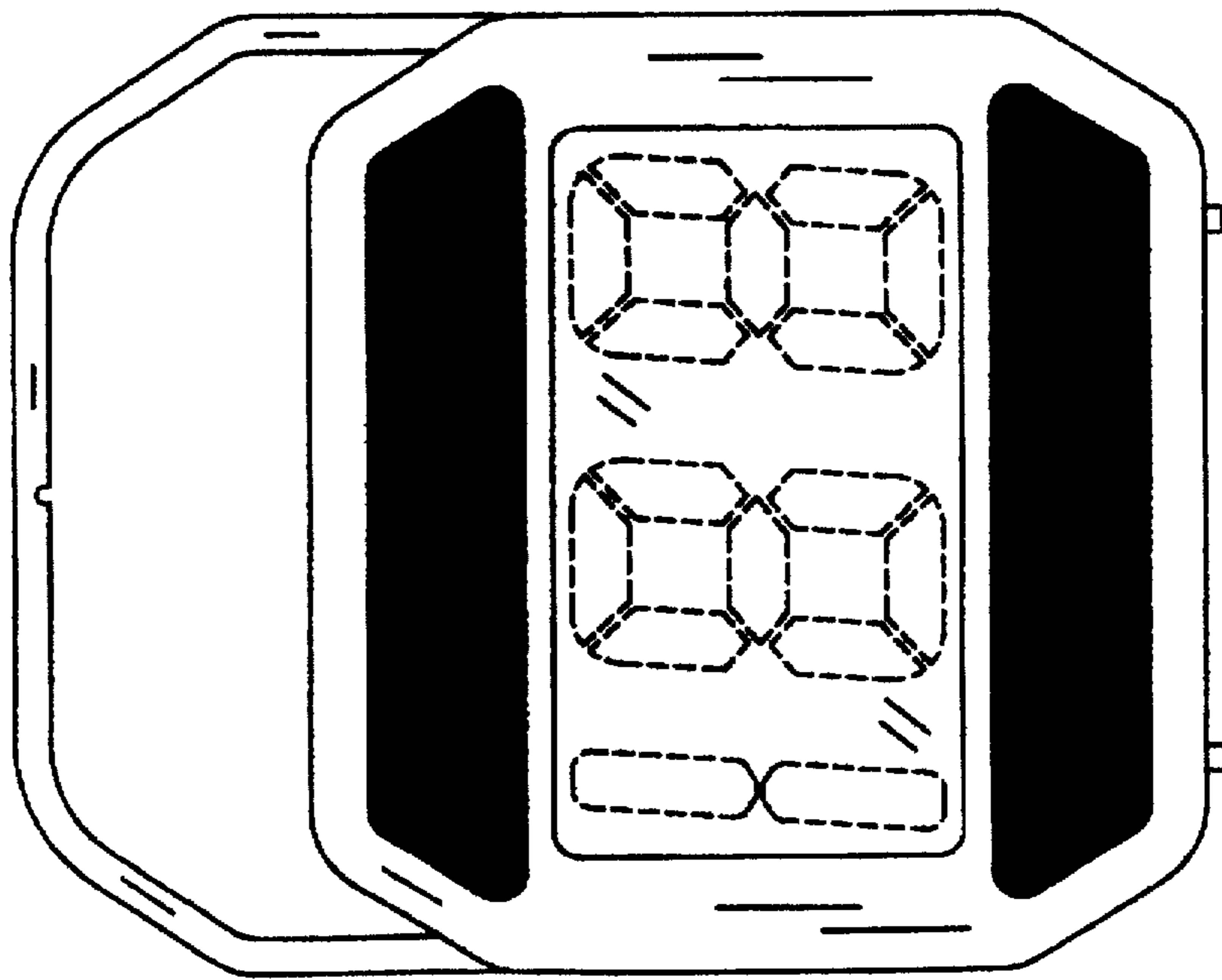


FIG. 3

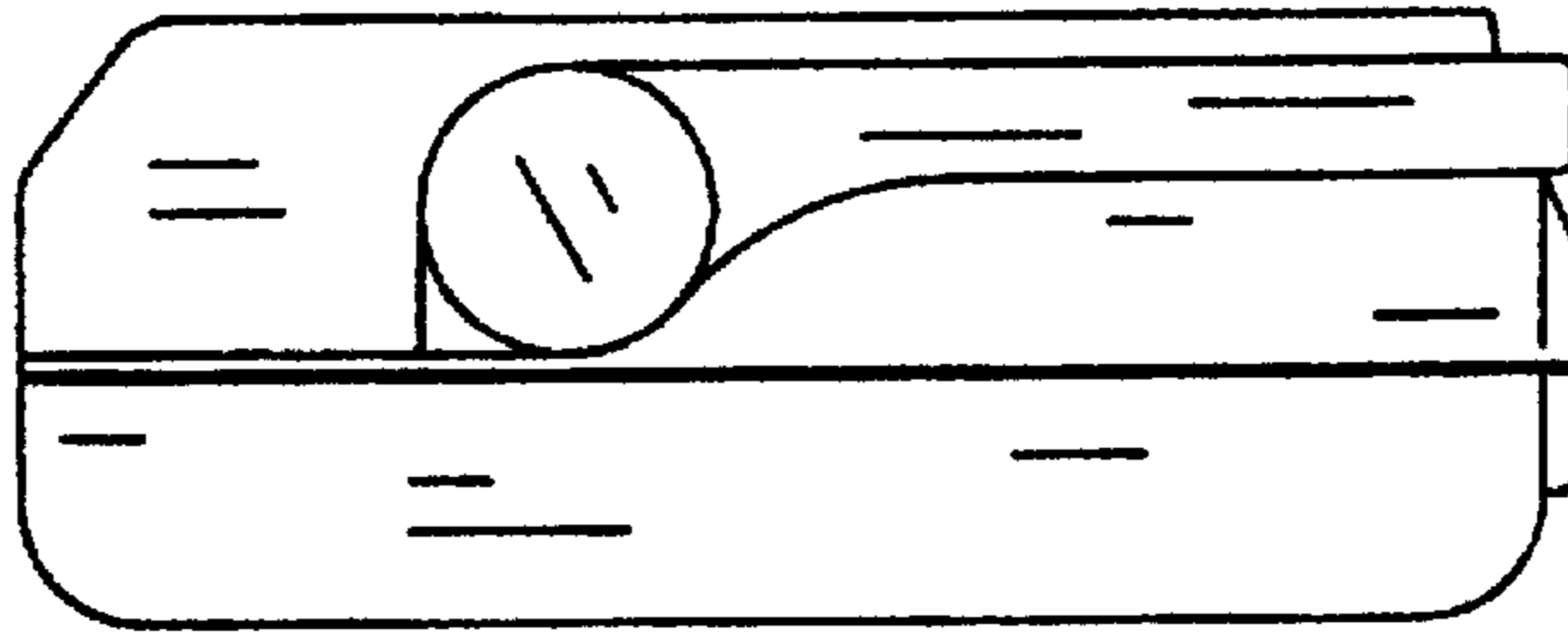


FIG. 4

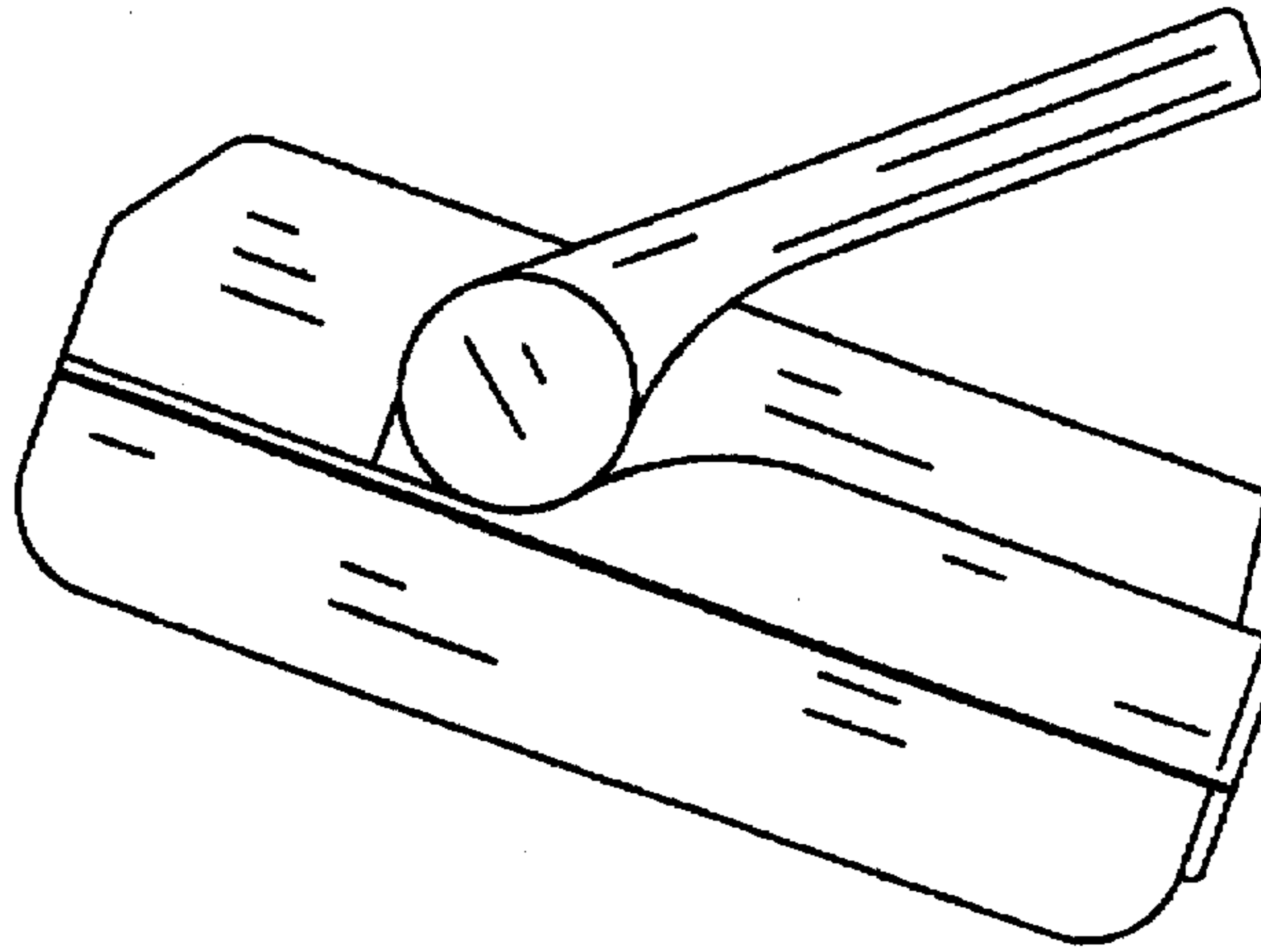


FIG. 5

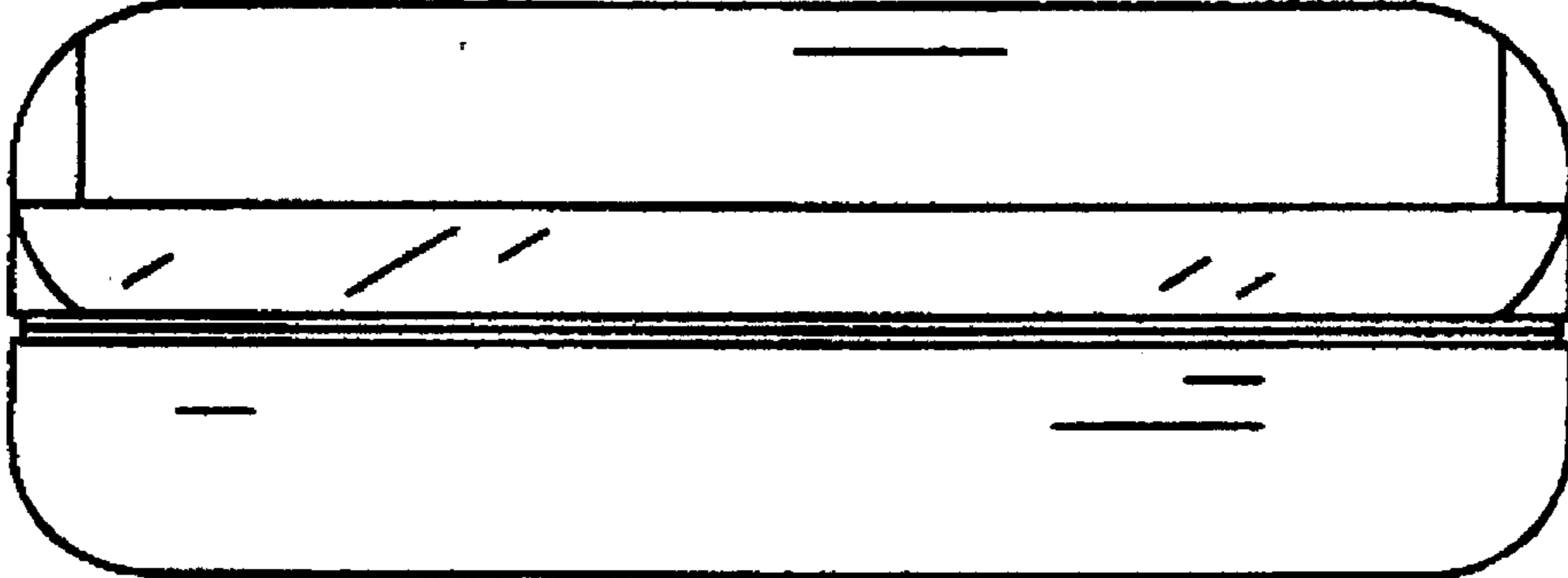


FIG. 6

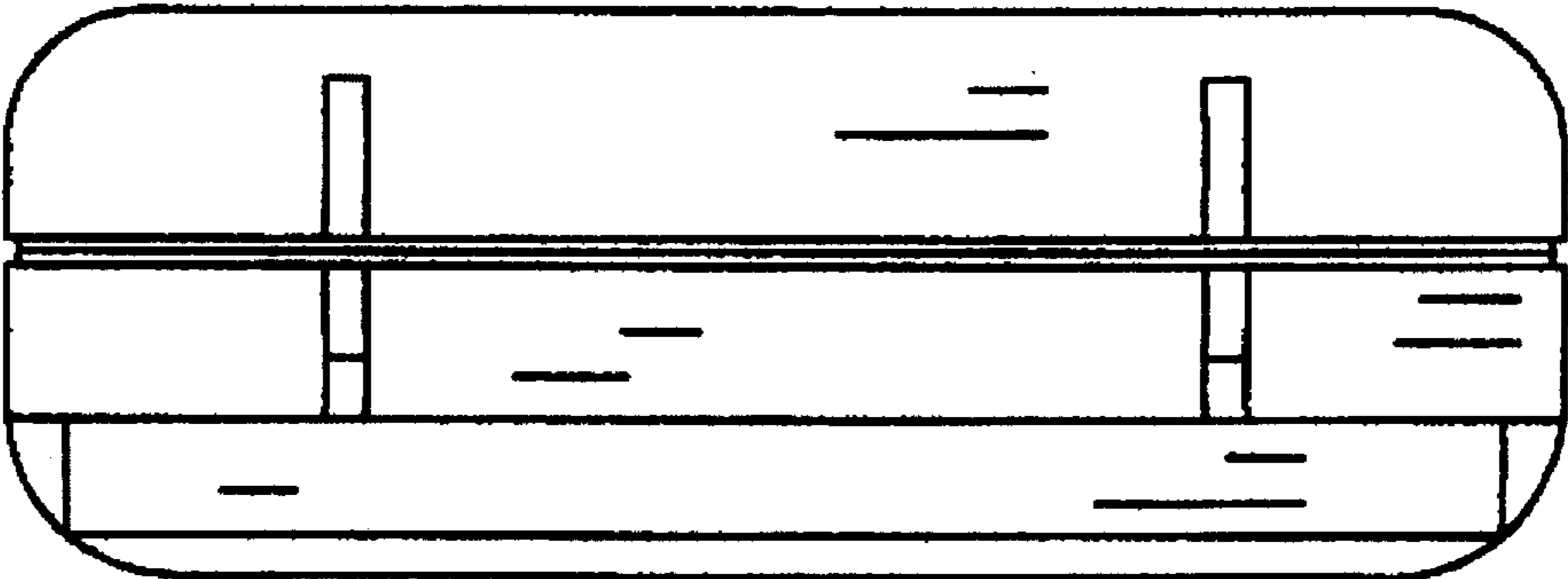


FIG. 7