



US00D383671S

# United States Patent [19]

[11] Patent Number: **Des. 383,671**

Phillips

[45] Date of Patent: **\*\*Sep. 16, 1997**

[54] CONTAINER

[76] Inventor: **James Harman Phillips**, Rowner Road, Gosport, Hampshire PO13 0PR, United Kingdom

[\*\*] Term: **14 Years**

[21] Appl. No.: **47,856**

[22] Filed: **Dec. 13, 1995**

[30] **Foreign Application Priority Data**

Jun. 13, 1995 [GB] United Kingdom ..... 2048132

[51] LOC (6) Cl. .... **09-07**

[52] U.S. Cl. .... **D9/429; D7/629**

[58] Field of Search ..... D9/420-425, 428, D9/429, 414; D7/629, 612-615; 206/508, 541; 220/306, 307, 308, 351-356, 363, 315, 346, 298, 299, 380; 229/4.5, 406, 93

[56] **References Cited**

**U.S. PATENT DOCUMENTS**

- D. 280,058 8/1985 Carlson ..... D7/629
- D. 332,204 1/1993 Carlson ..... D7/629
- D. 355,850 2/1995 Lee ..... D7/613 X

- 1,232,404 7/1917 Stankewitz ..... 220/315
- 2,614,727 10/1952 Robinson ..... D7/629 X
- 2,901,098 8/1959 Tupper ..... 220/355 X
- 3,155,233 11/1964 Tupper ..... 220/355 X
- 5,021,351 6/1991 Ervin ..... 206/508 X
- 5,377,861 1/1995 Landis ..... 220/355 X

**OTHER PUBLICATIONS**

Packaging, Feb. 1988, p. 18.

*Primary Examiner*—Prabhakar G. Deshmukh  
*Attorney, Agent, or Firm*—Hodgson, Russ, Andrews, Woods & Goodyear LLP

[57] **CLAIM**

The ornamental design for a container, as shown and described.

**DESCRIPTION**

FIG. 1 is a perspective view from above and one side of a container, showing my new design;  
FIG. 2 is a side elevational view thereof, the opposite side being identical;  
FIG. 3 is a bottom plan view thereof; and,  
FIG. 4 is an end elevational view thereof, the opposite end being identical.

**1 Claim, 2 Drawing Sheets**

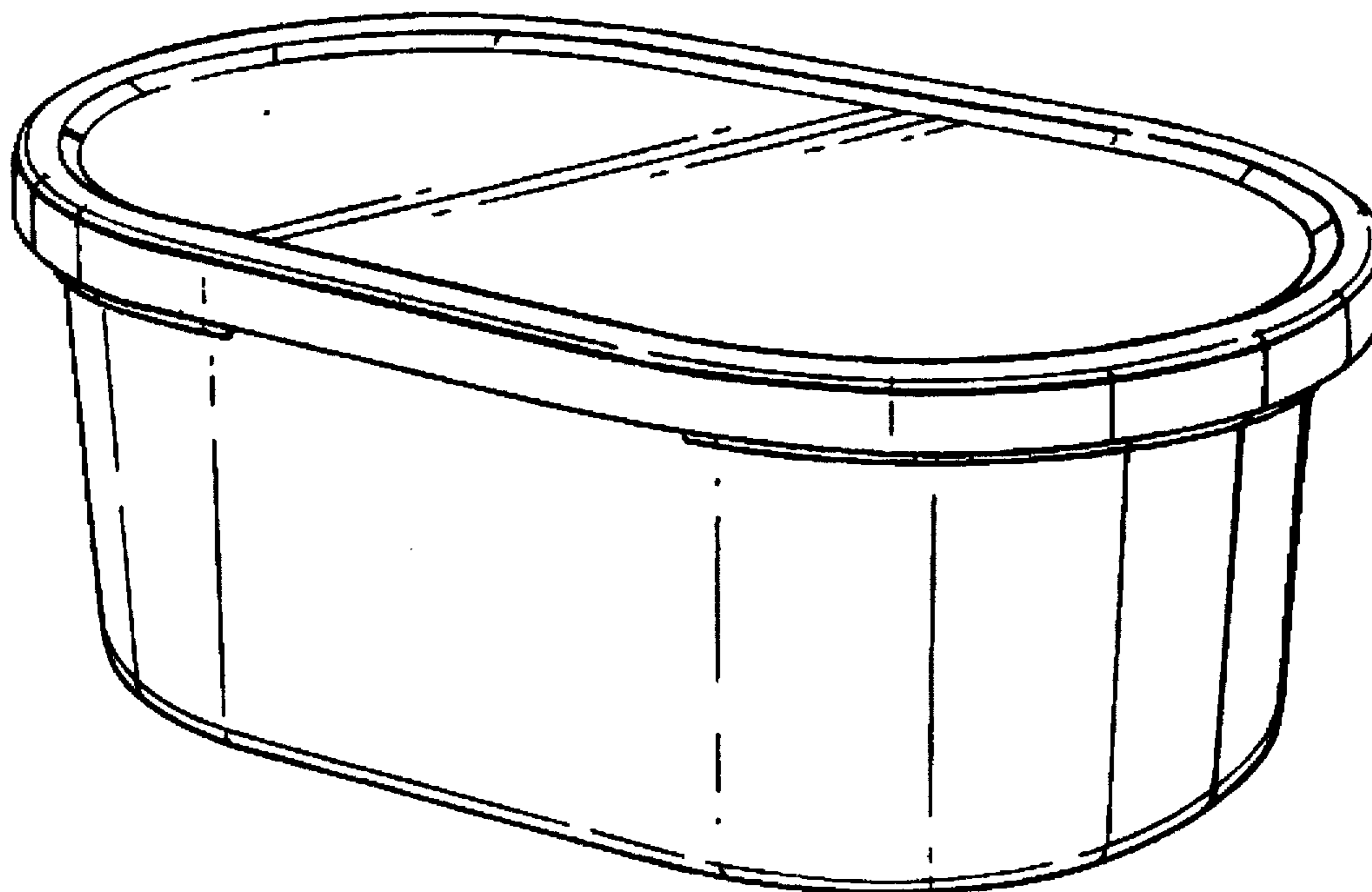


Fig. 1.

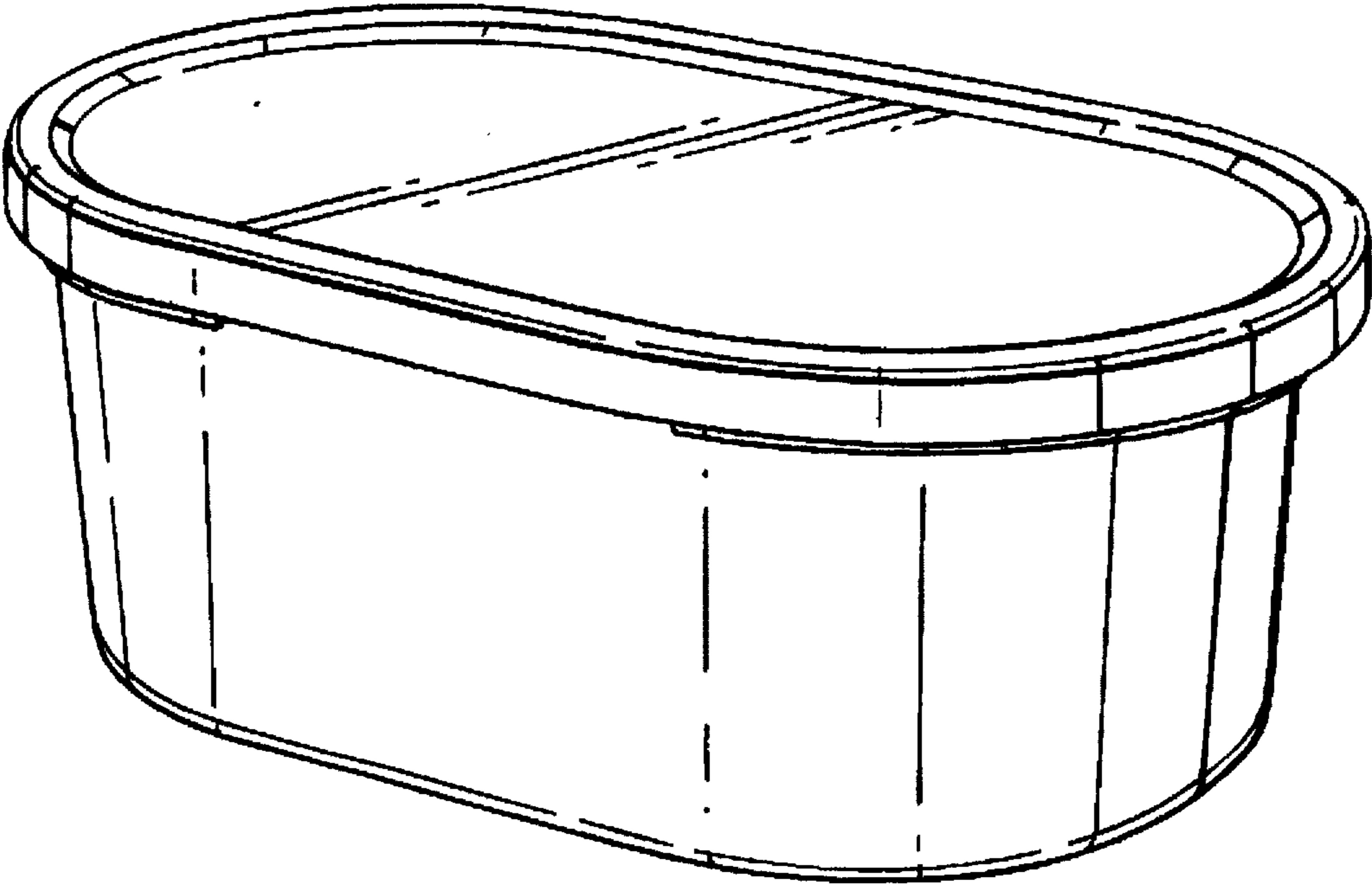


Fig.2.

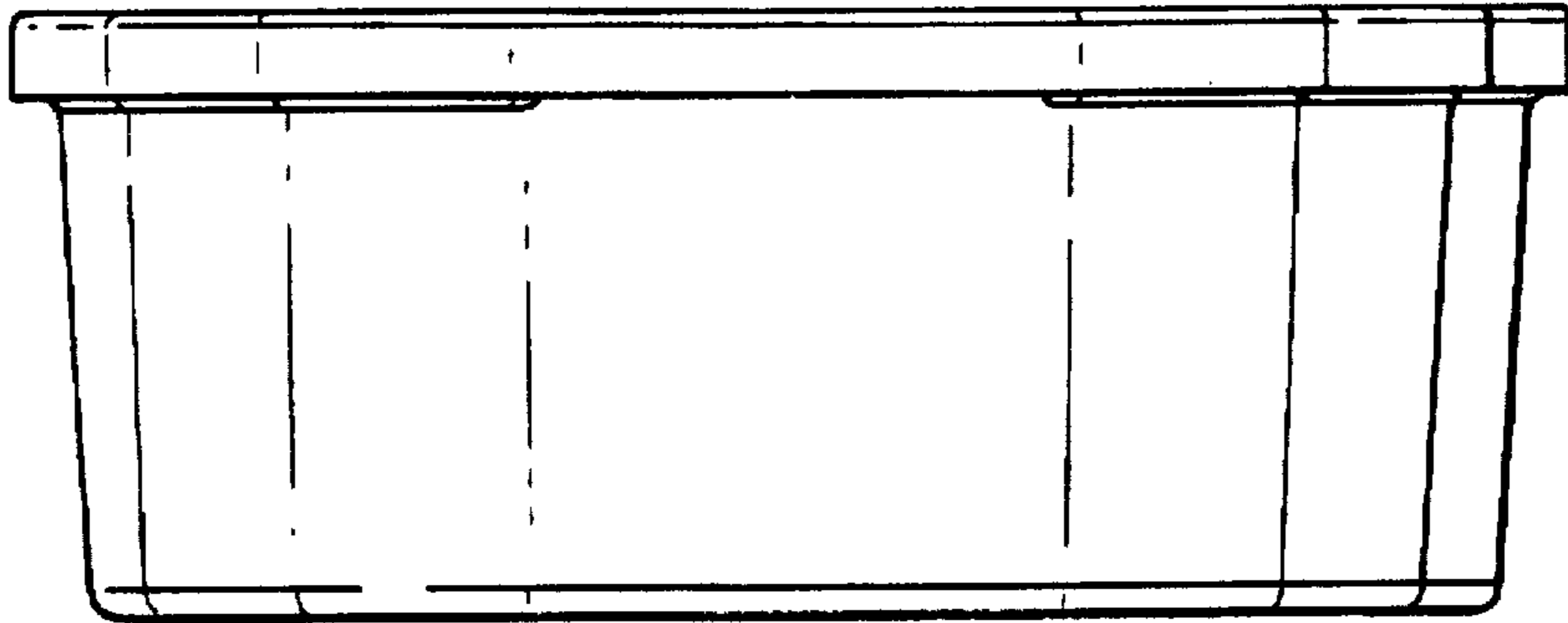


Fig.3.

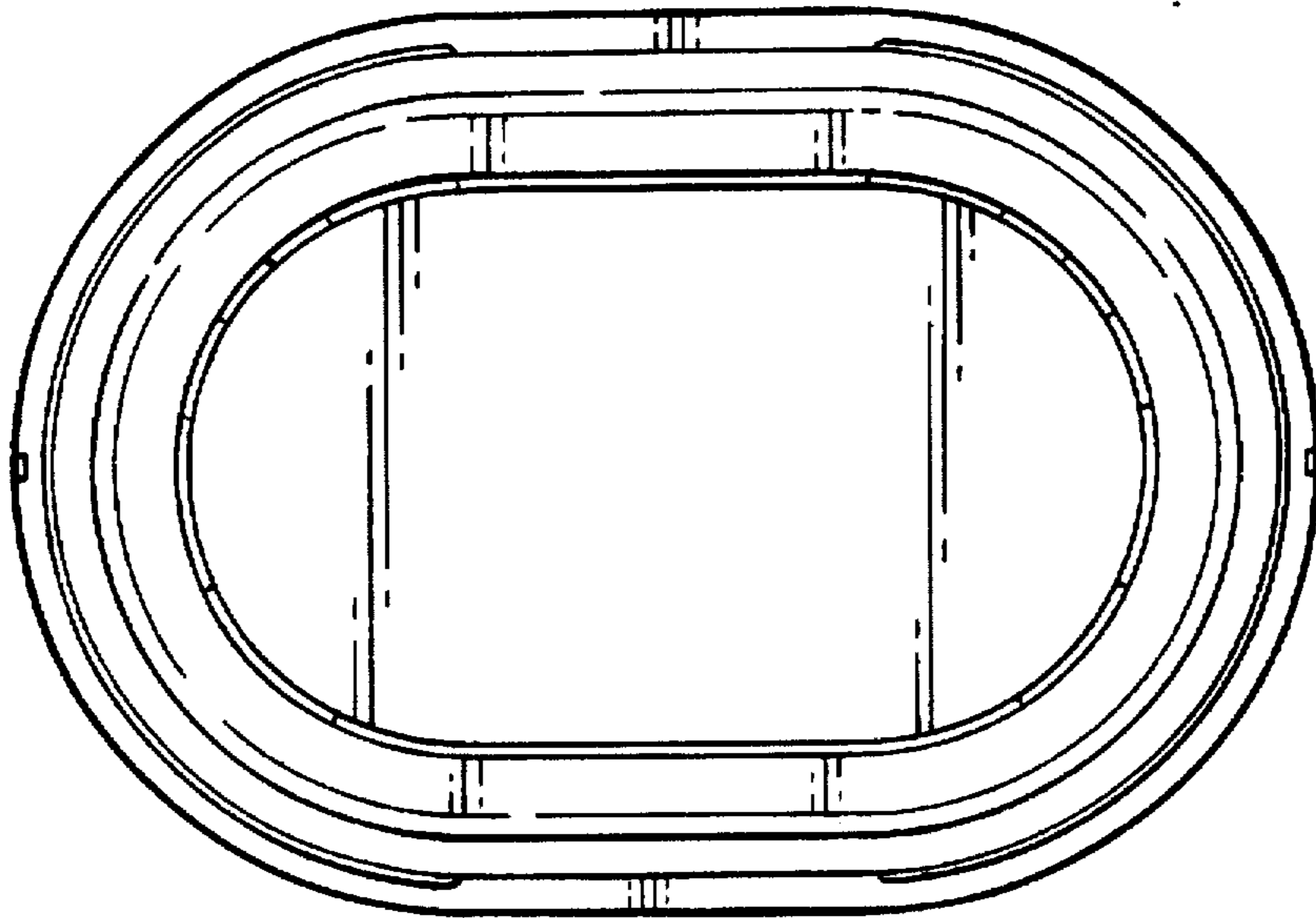


Fig.4.

