



US00D383670S

United States Patent [19]

[11] Patent Number: **Des. 383,670**

Gübeli

[45] Date of Patent: ****Sep. 16, 1997**

[54] **PRODUCE CONTAINER**

[76] Inventor: **Germán F. Gübeli**, El Toqui 1878, Las Condas, Chile

[**] Term: **14 Years**

[21] Appl. No.: **56,034**

[22] Filed: **Jun. 20, 1996**

[30] **Foreign Application Priority Data**

Jan. 10, 1996 [CL] Chile 049-96

[51] LOC (6) Cl. **09-07**

[52] U.S. Cl. **D9/425**

[58] Field of Search D9/420-427, 431, D9/341, 429; 206/557, 558, 561-565, 541; 229/406, 906, 903, 904; 220/4.21-4.26, 556, 675, 662, 339, 676; 426/106, 128

[56] **References Cited**

U.S. PATENT DOCUMENTS

- D. 282,245 1/1986 Yeune D9/431 X
- D. 339,744 9/1993 Seppala D9/425
- D. 343,576 1/1994 Krupa D9/425 X
- D. 361,035 8/1995 Krupa D9/425 X
- D. 361,036 8/1995 Krupa D9/423 X

- 4,660,716 4/1987 McMahon et al. 220/556 X
- 4,974,738 12/1990 Kidd et al. 229/406 X
- 5,046,659 9/1991 Warburton 220/339 X
- 5,456,379 10/1995 Krupa et al. 220/676 X

OTHER PUBLICATIONS

Packaging, Mar. 1984, p. 65.

Primary Examiner—Pabhakar G. Deshmukh

[57] CLAIM

The ornamental design for produce container, as shown and described.

DESCRIPTION

FIG. 1 is a top, front and right side perspective view of my design for a produce container;
 FIG. 2 is a bottom, rear and left side perspective view thereof;
 FIG. 3 is a front elevational view thereof;
 FIG. 4 is a right elevational view thereof, of which the left elevational view is a mirror image thereof;
 FIG. 5 is a rear elevational view thereof;
 FIG. 6 is a top plan view thereof; and,
 FIG. 7 is a bottom plan view thereof.

1 Claim, 4 Drawing Sheets

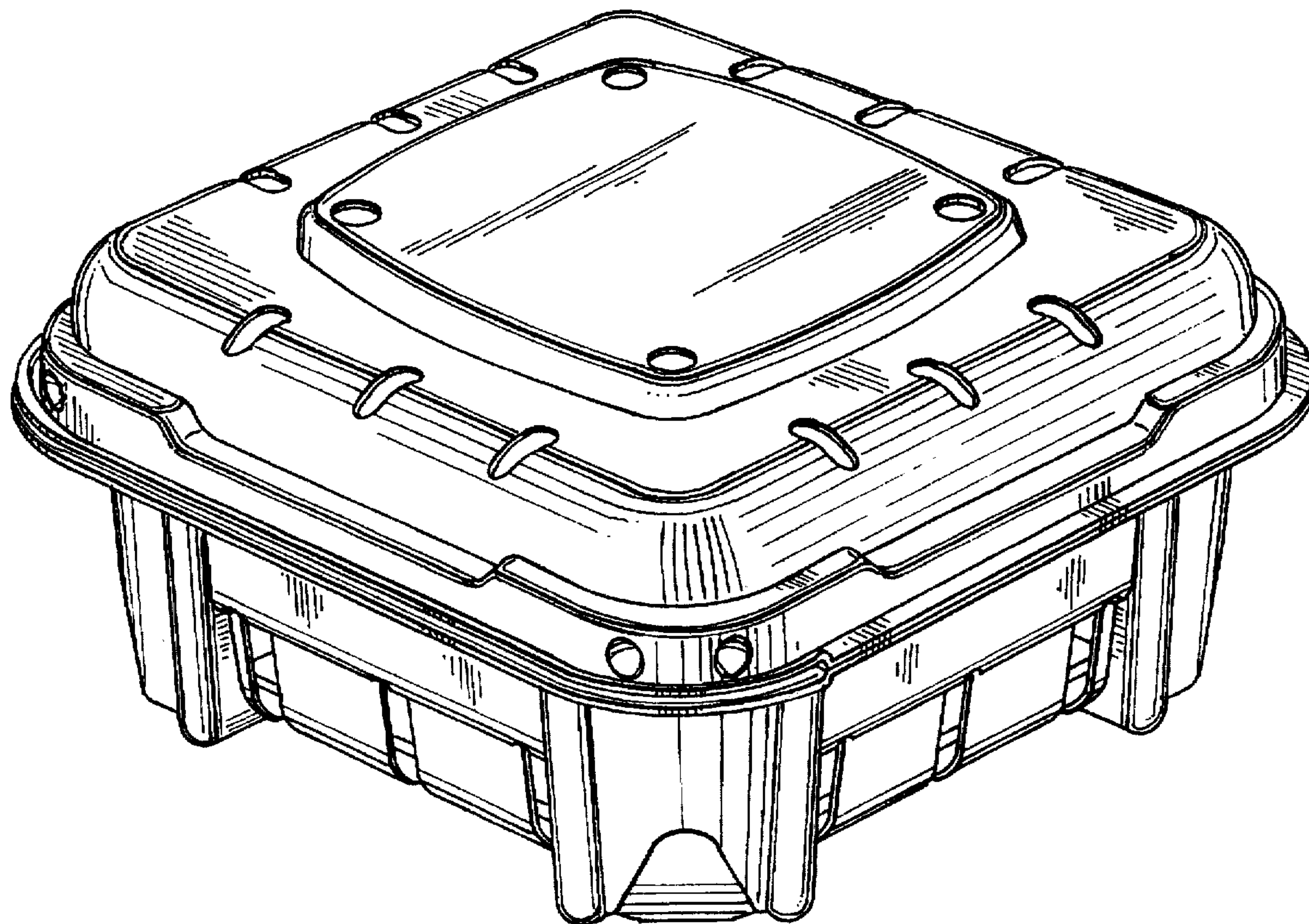


FIG. 1

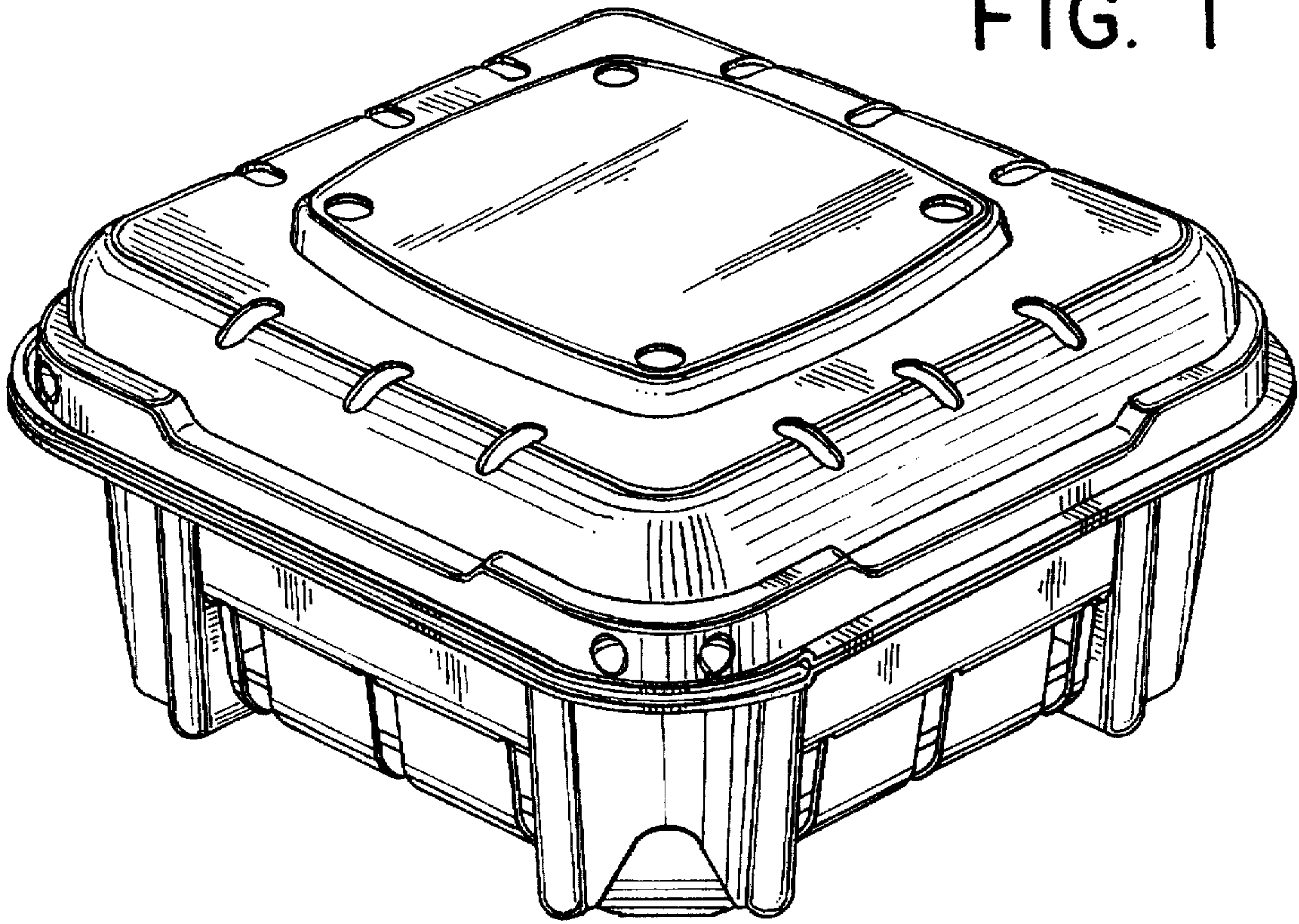


FIG. 2

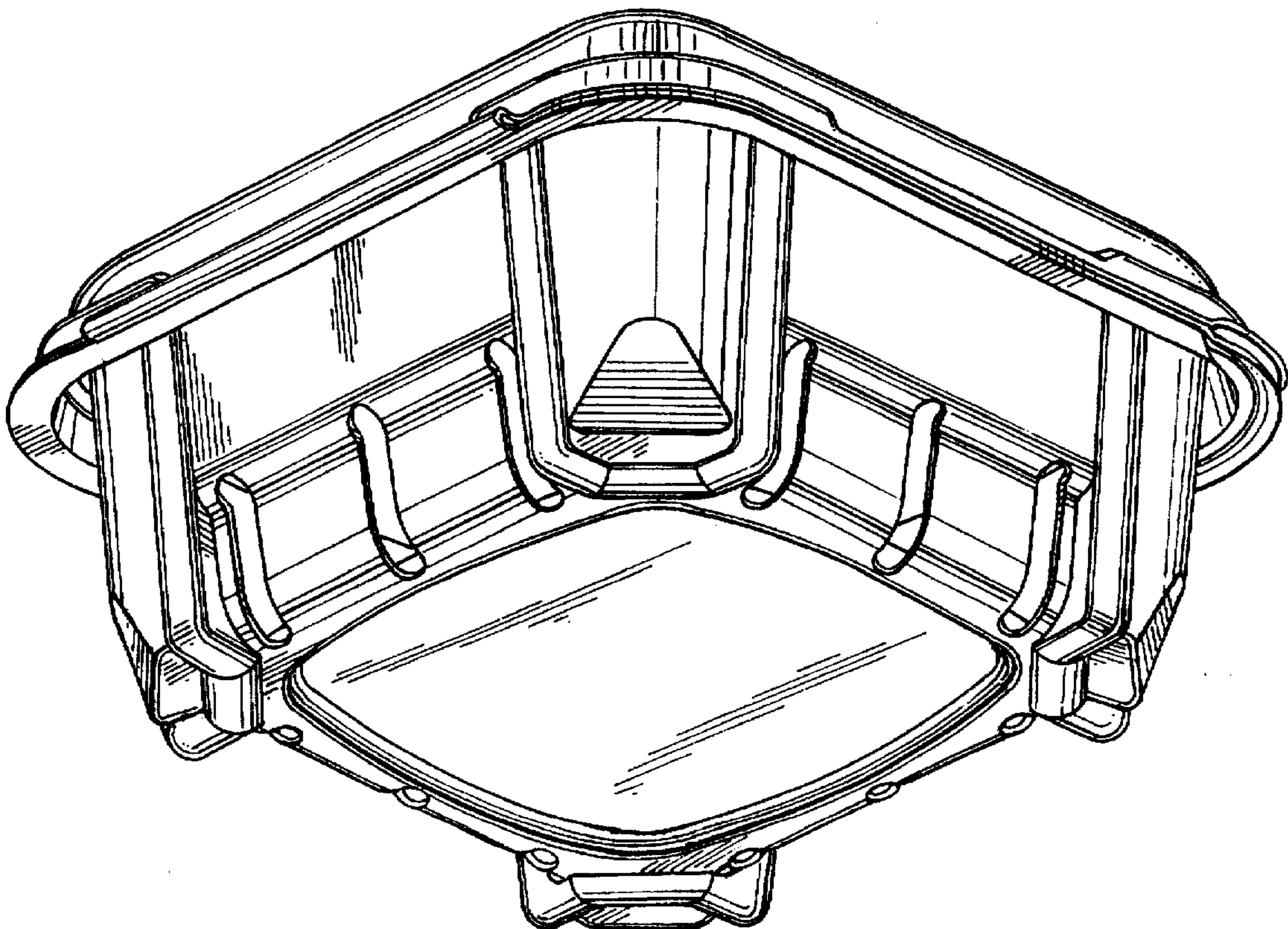


FIG. 3

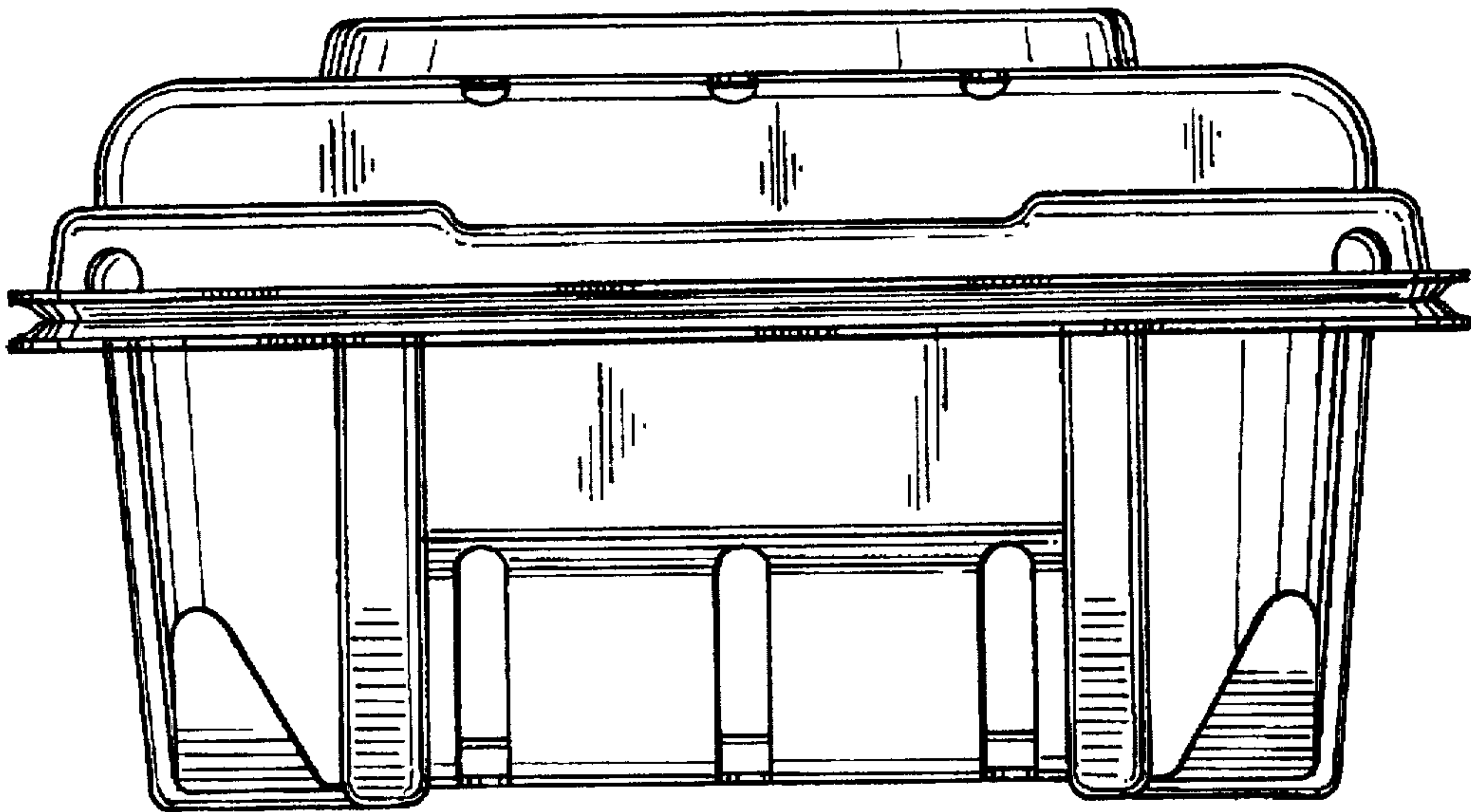


FIG. 4

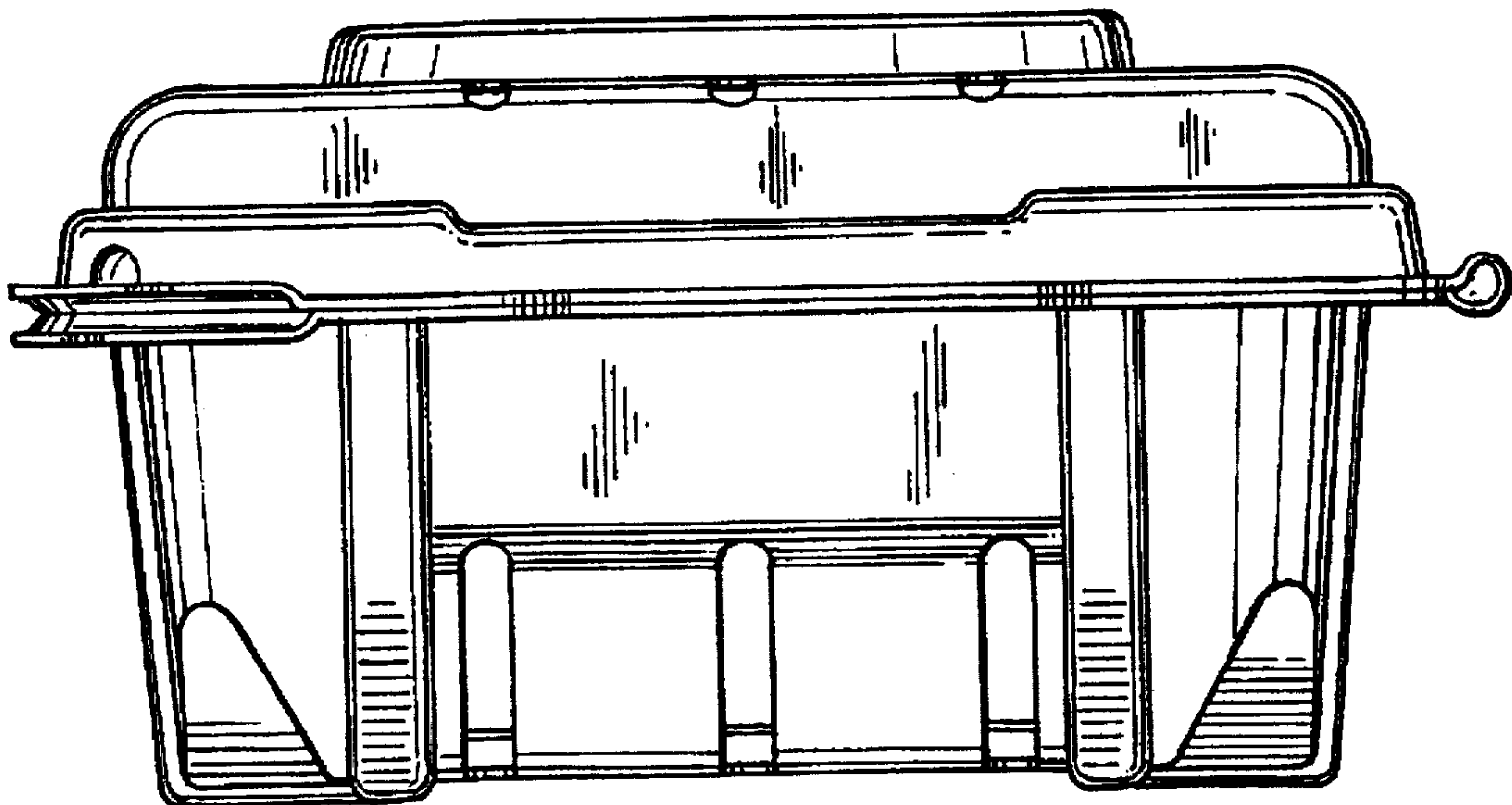


FIG. 5

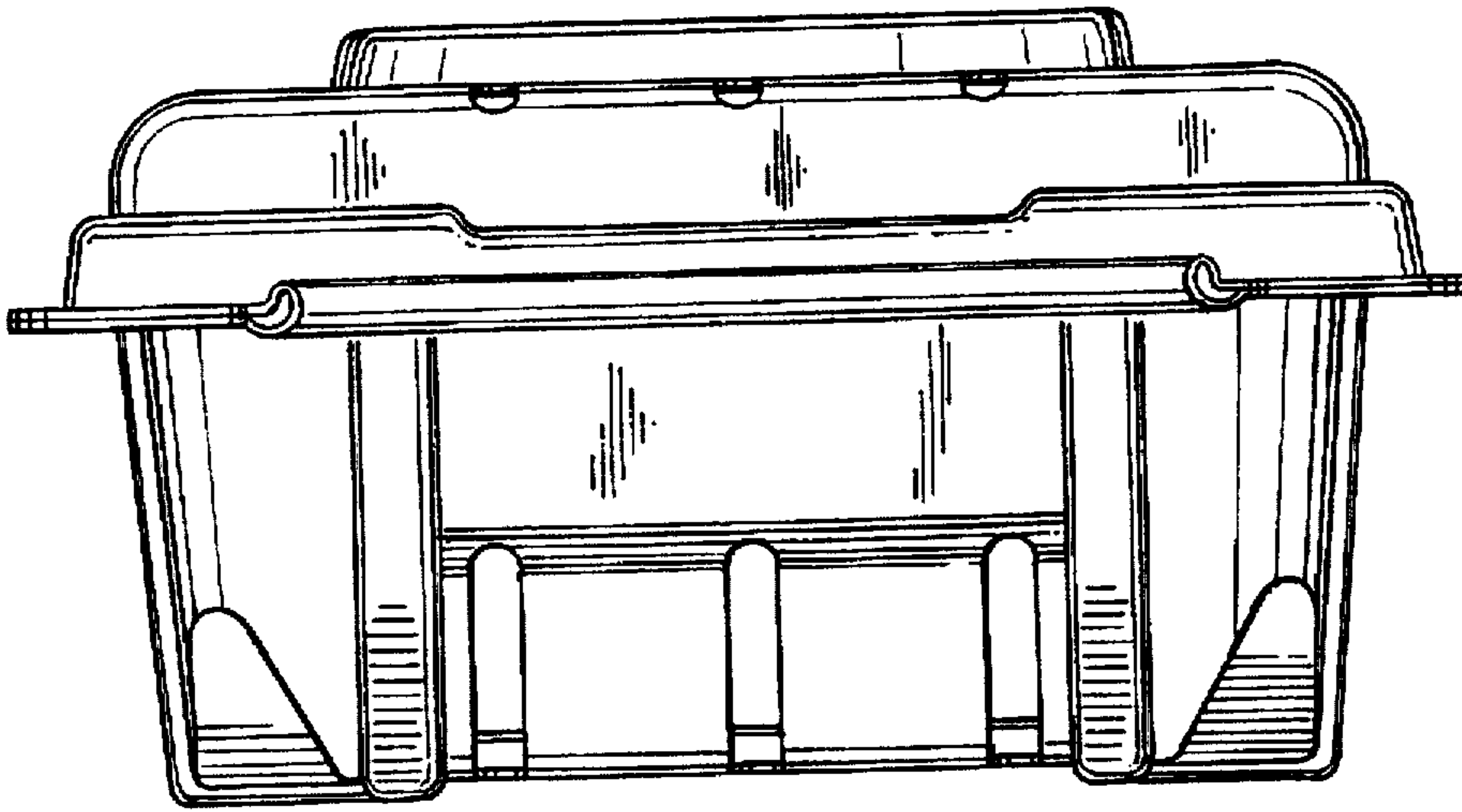


FIG. 6

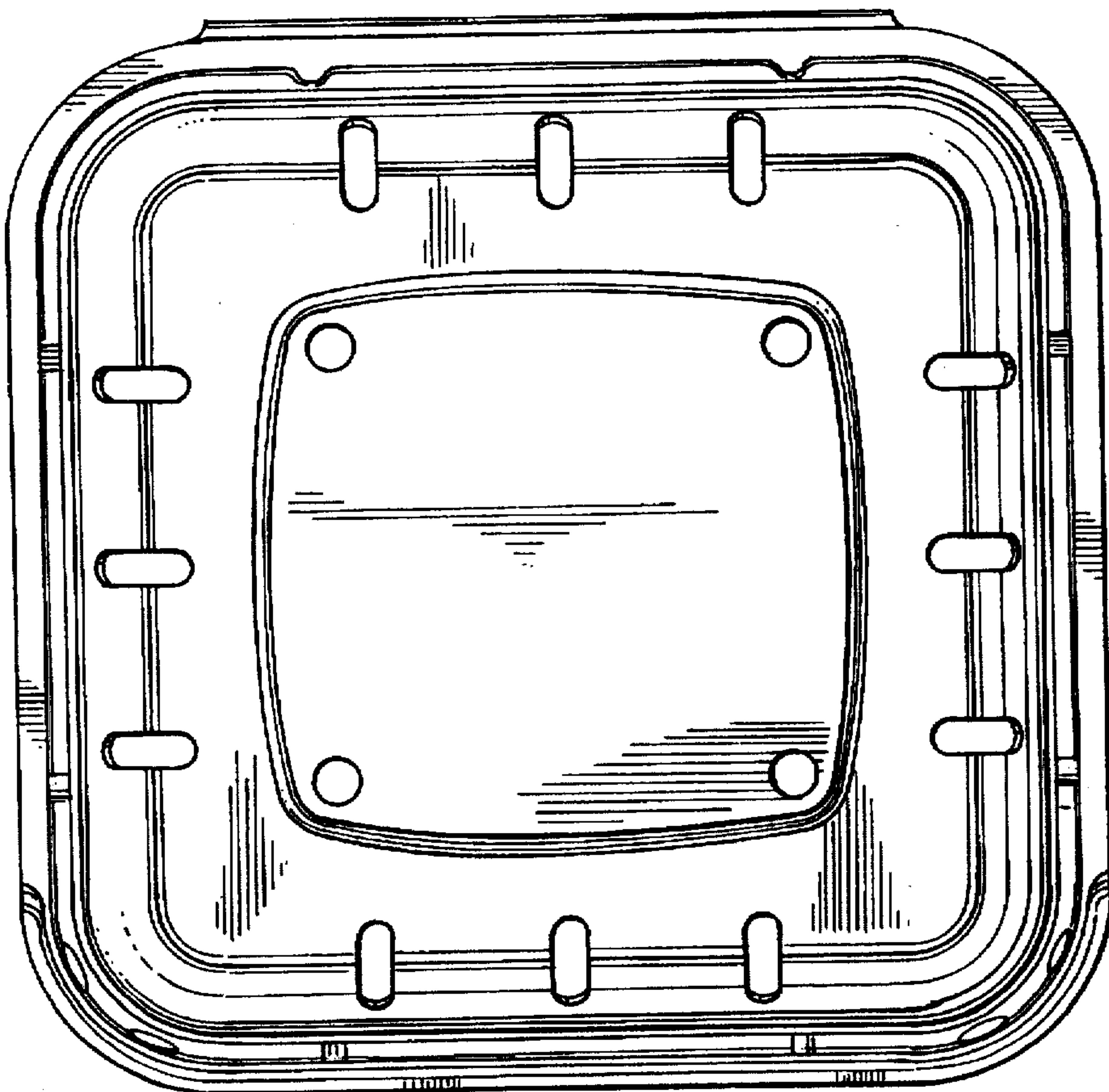
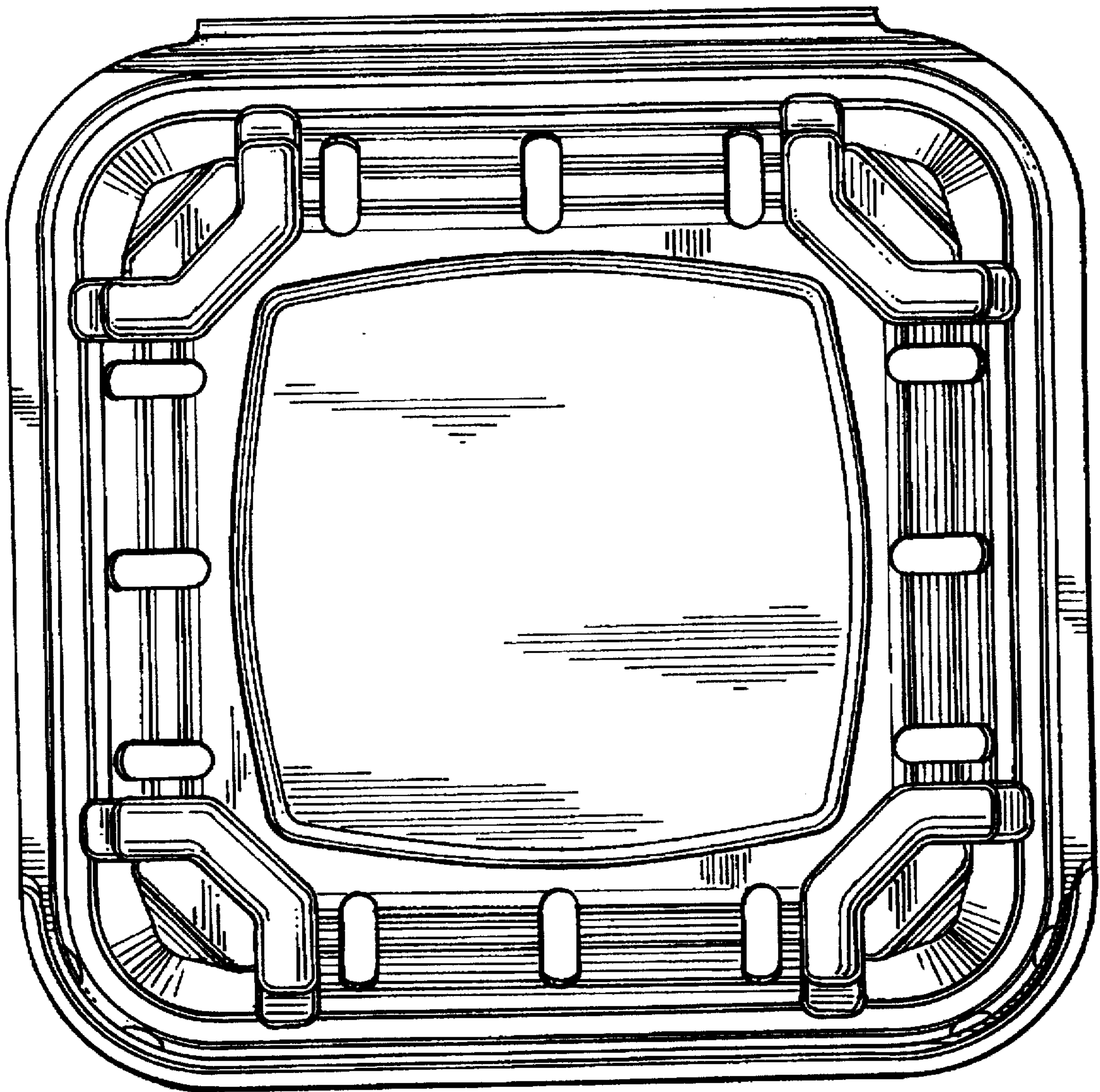


FIG. 7



UNITED STATES PATENT AND TRADEMARK OFFICE
CERTIFICATE OF CORRECTION

PATENT NO. : D 383,670
DATED : September 16, 1997
INVENTOR(S) : German F. GUBELI

It is certified that error appears in the above-identified patent and that said Letters Patent is hereby corrected as shown below:

Title page, item [76] Inventor: Change "El Toqui
1878, Las Condas, Chile" to --Santiago, Chile--.

The Assignee, which is missing, should be --Coembal
Chile S.A., La Reina, Chile--.

Signed and Sealed this
Seventeenth Day of February, 1998

Attest:



BRUCE LEHMAN

Attesting Officer

Commissioner of Patents and Trademarks