



US00D383665S

# United States Patent [19]

Vissers et al.

[11] Patent Number: Des. 383,665

[45] Date of Patent: \*\*Sep. 16, 1997

[54] **HINGED ARM SUPPORT**

[75] Inventors: **Johan A. A. J. Vissers**, Breda; **J. J. v. d. Vliet**, Schipluiden, both of Netherlands

[73] Assignee: **B.V. Linido**, Weteringweg, Netherlands

[\*\*] Term: **14 Years**

[21] Appl. No.: **49,890**

[22] Filed: **Feb. 2, 1996**

[30] **Foreign Application Priority Data**

Aug. 4, 1995 [BX] Benelux TM/Des. Off. .... 70999-00

[51] LOC (6) Cl. .... **08-05**

[52] U.S. Cl. .... **D8/363**

[58] Field of Search ..... D8/373, 363; 248/309.1; 211/70.6, 89; D6/411, 324

[56] **References Cited**

**U.S. PATENT DOCUMENTS**

D. 199,518 11/1964 Sanders et al. .... D8/373

D.: 268,494 4/1983 Cyrell ..... D8/373 X  
2,954,954 10/1960 Larson ..... D6/324 X  
4,880,192 11/1989 Vom Braucke et al. .... 248/309.1 X

*Primary Examiner*—Holly Baynham  
*Attorney, Agent, or Firm*—Ladas & Parry

[57] **CLAIM**

The ornamental design for hinged arm support, as shown.

**DESCRIPTION**

FIG. 1 is a left side/front/top perspective view of a hinged arm support showing our new design;

FIG. 2 is a front elevational view thereof;

FIG. 3 is a rear elevational view thereof;

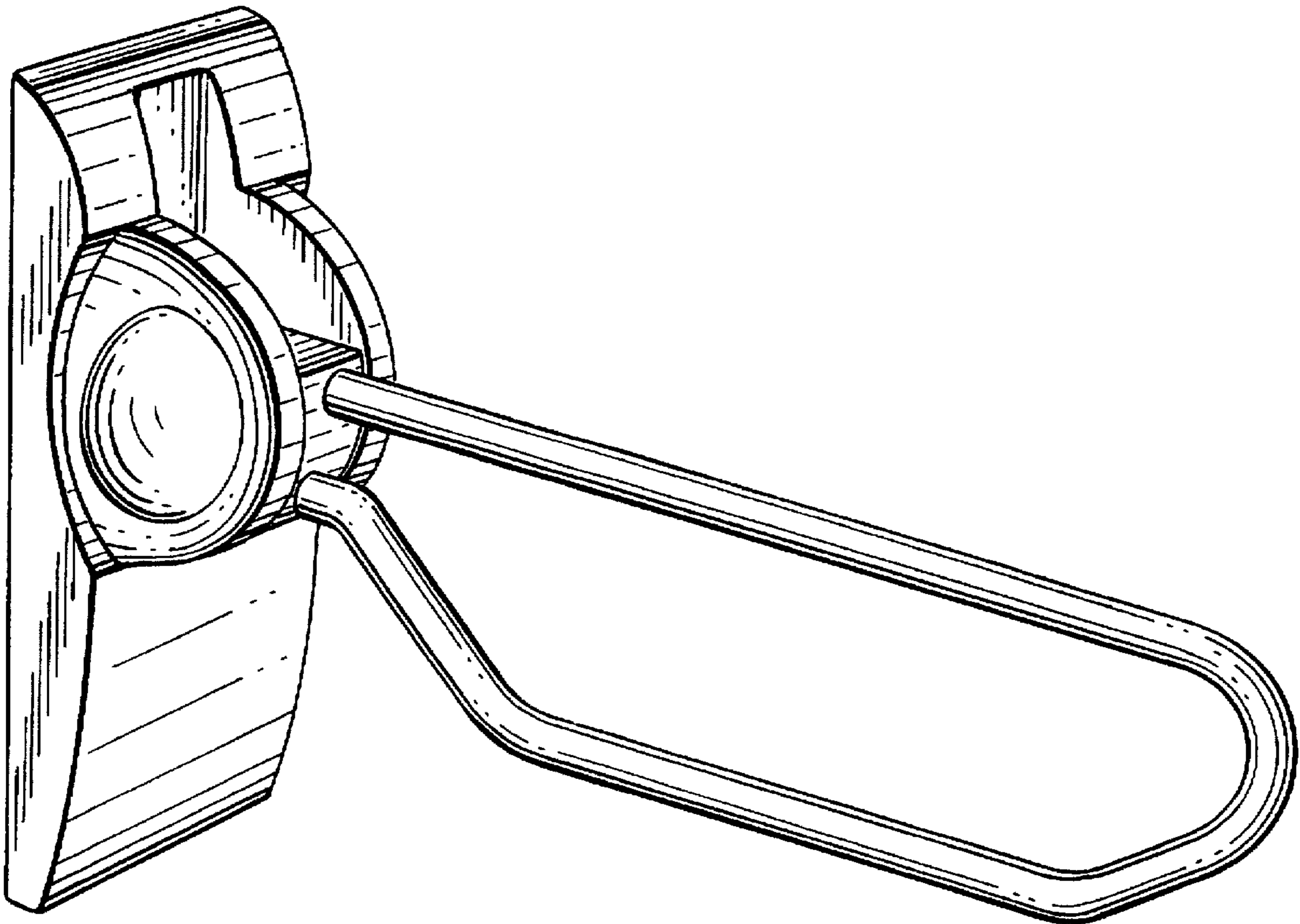
FIG. 4 is a left side elevational view thereof;

FIG. 5 is a right side elevational view thereof;

FIG. 6 is a top view thereof; and,

FIG. 7 is a bottom view thereof.

**1 Claim, 3 Drawing Sheets**



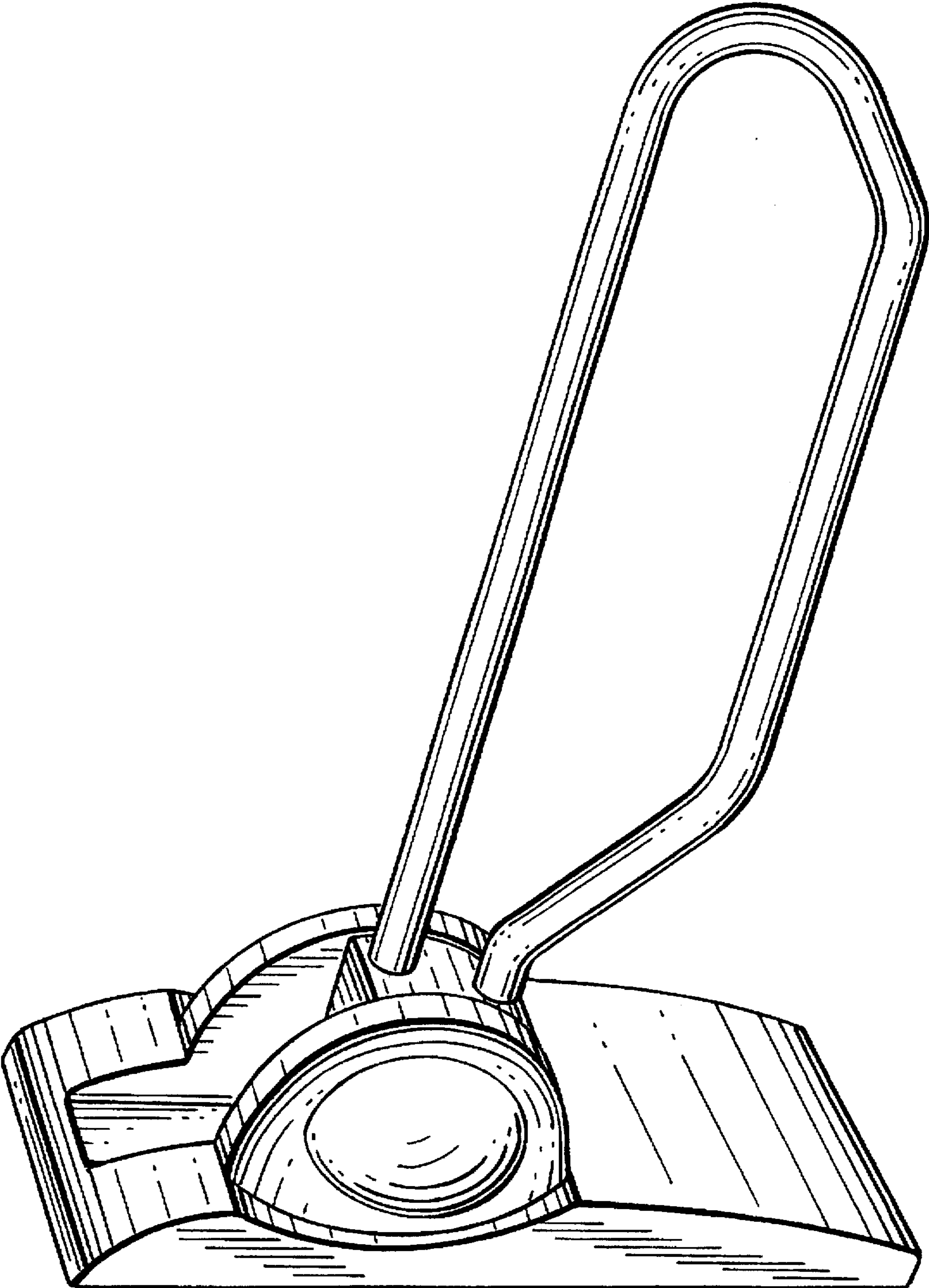


FIG. 1

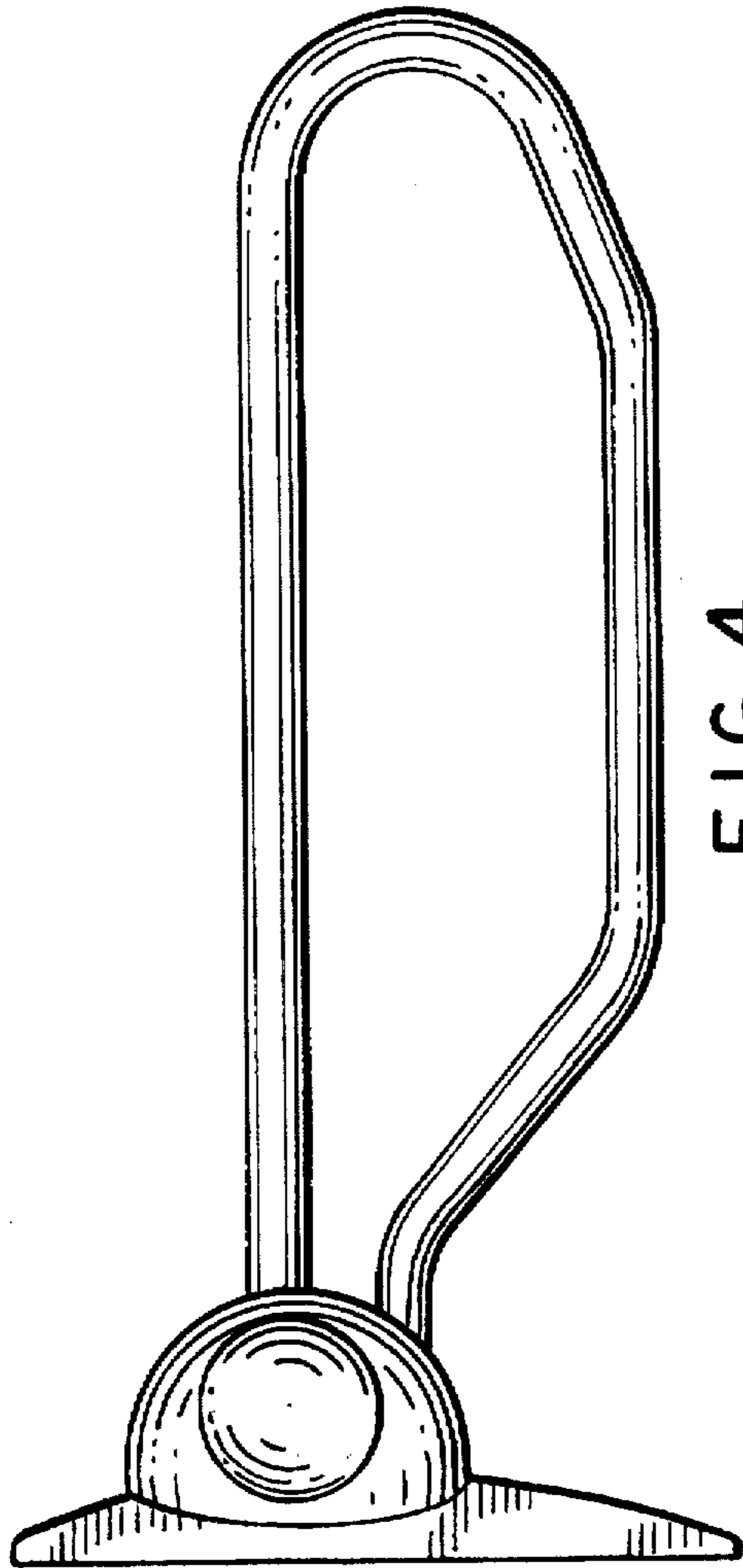


FIG. 4

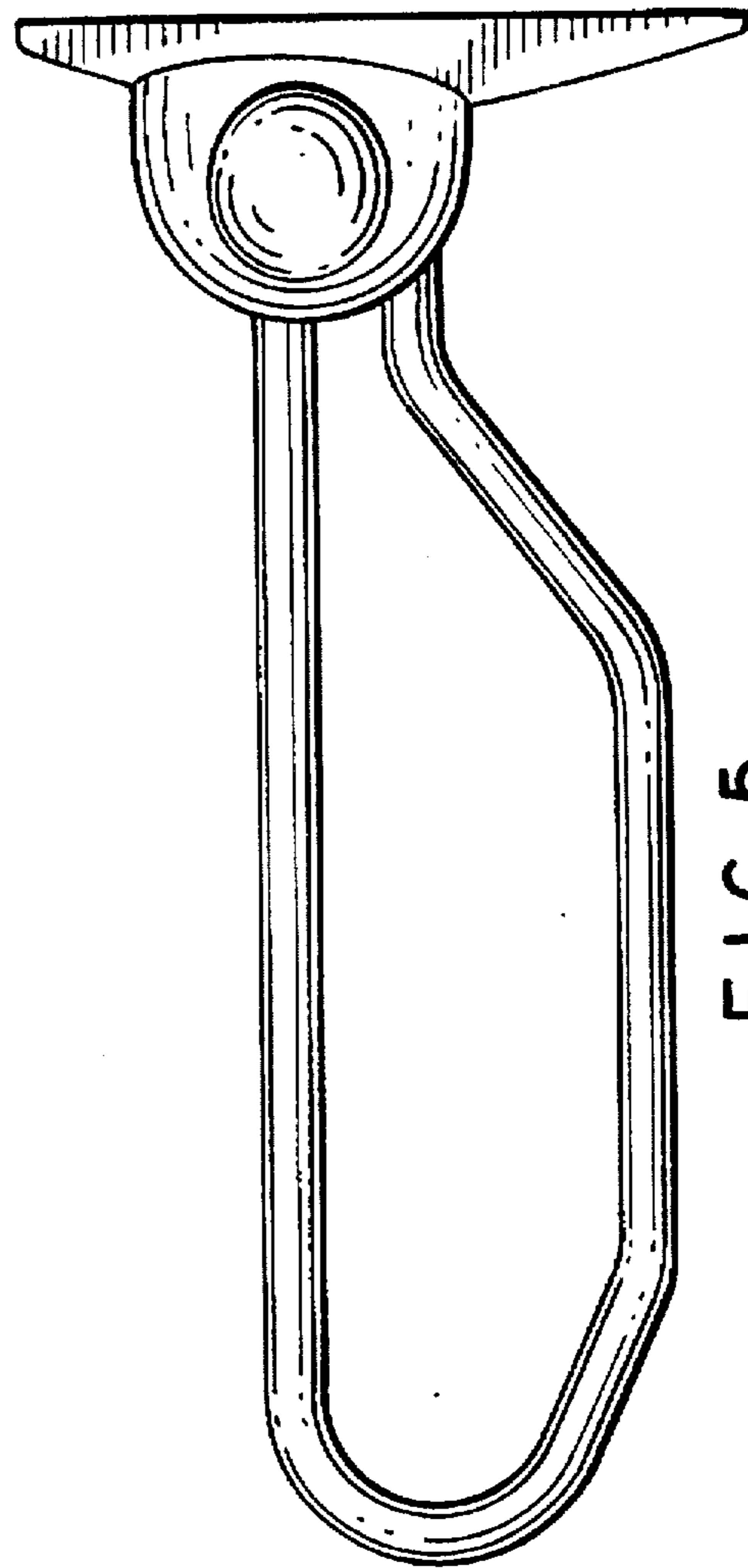


FIG. 5

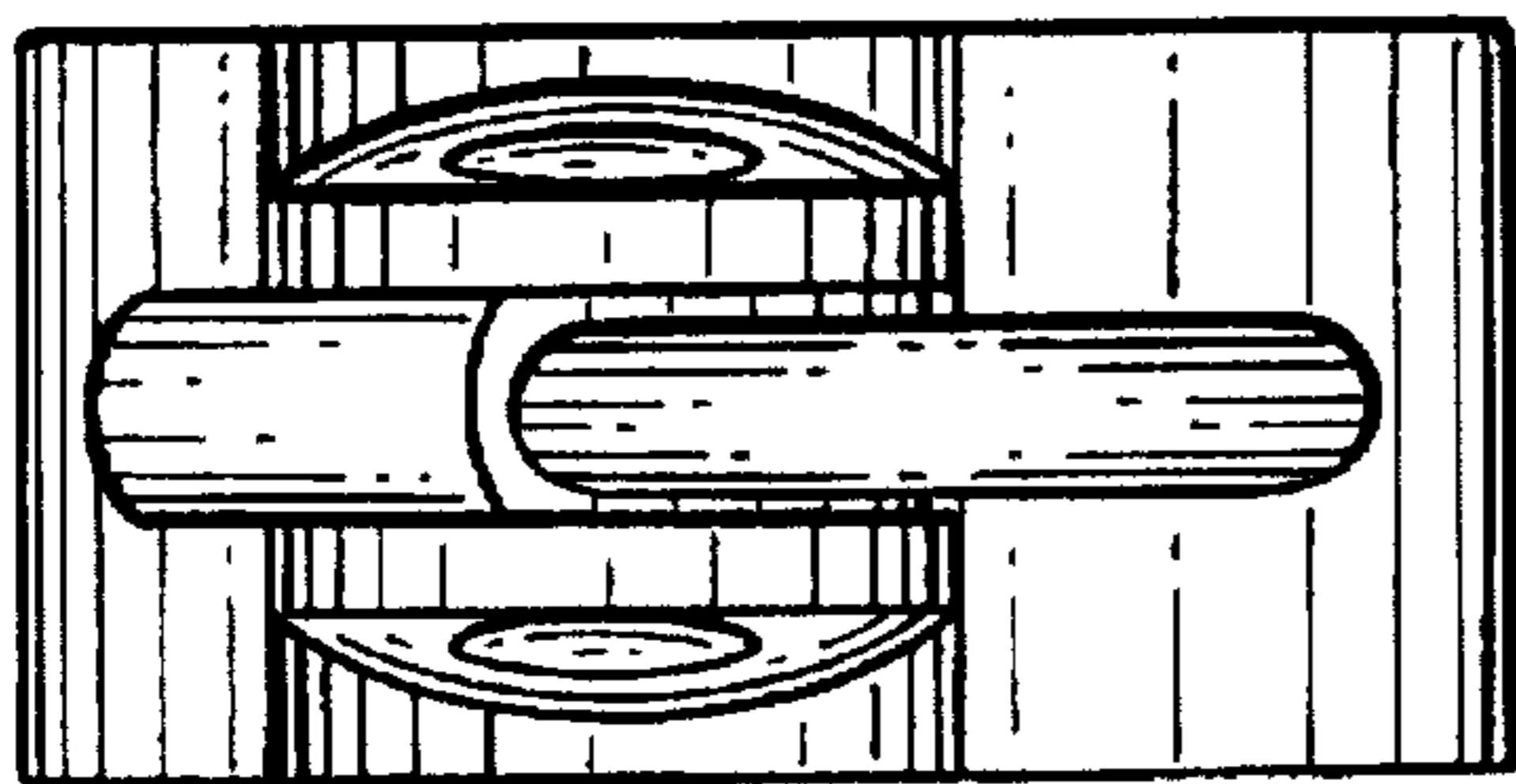


FIG. 2

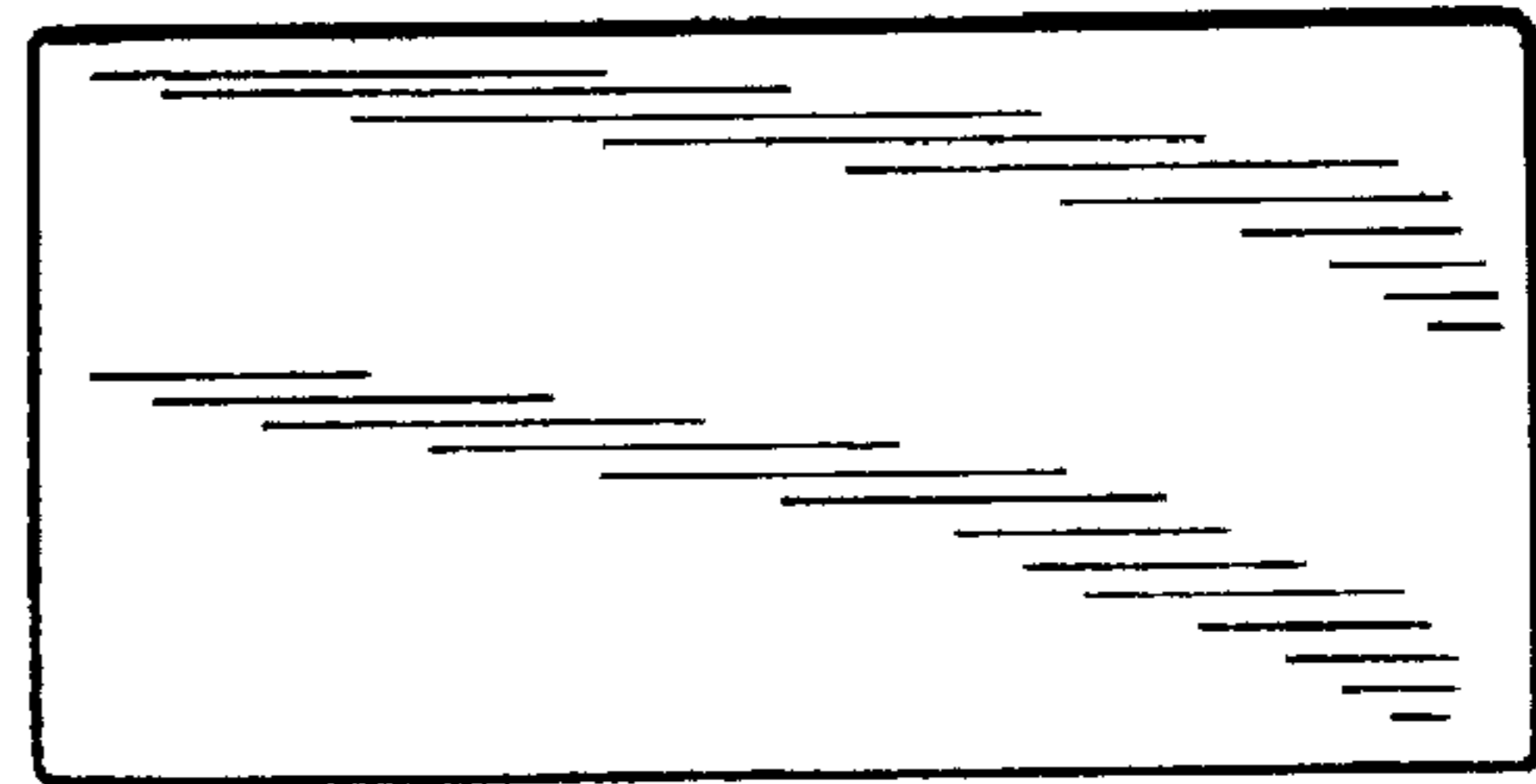


FIG. 3

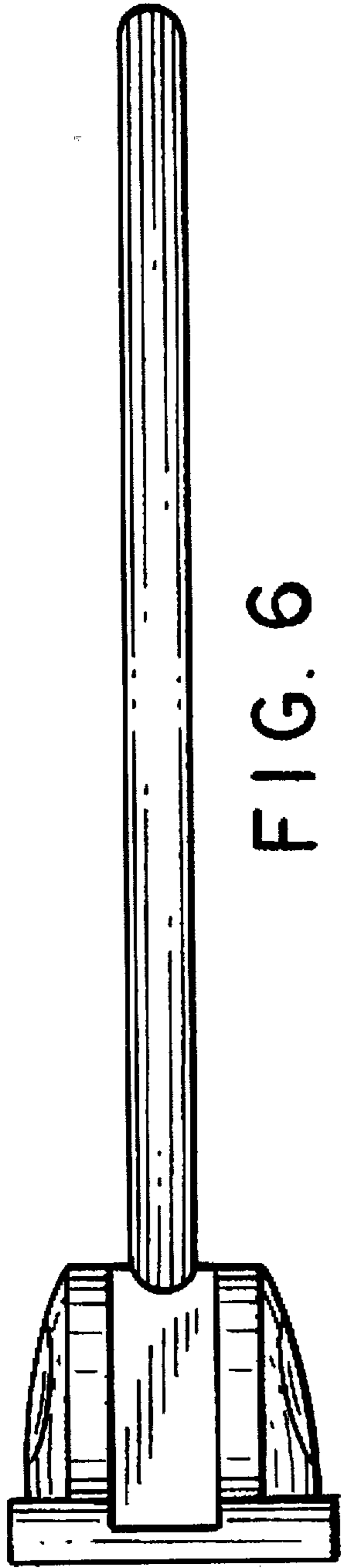


FIG. 6

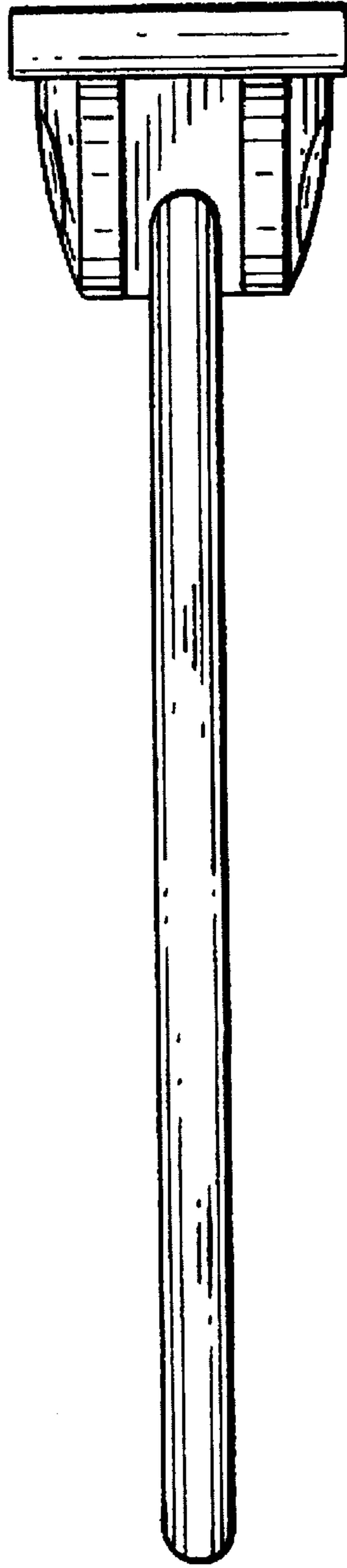


FIG. 7