



US00D383659S

# United States Patent [19]

[11] Patent Number: **Des. 383,659**

Norman

[45] Date of Patent: **\*\*Sep. 16, 1997**

[54] GRINDING PIN

4,811,843 3/1989 Stribiak ..... 206/349  
5,125,777 6/1992 Osawa ..... 451/323

[76] Inventor: **Murray Norman**, P.O. Box 652, 379 Tower Dr., North Bay, Ontario, Canada, P1B 8J5

### FOREIGN PATENT DOCUMENTS

74091 3/1994 Canada .

[\*\*] Term: **14 Years**

### OTHER PUBLICATIONS

[21] Appl. No.: **40,097**

Sandvik Coromat rock drilling tools, Product Catalogue, p. 140, 1989.

[22] Filed: **Jun. 9, 1995**

*Primary Examiner*—James Gandy

[30] Foreign Application Priority Data

*Assistant Examiner*—Robert M. Spear

Dec. 12, 1994 [CA] Canada ..... 1994-2395

*Attorney, Agent, or Firm*—Evenson, McKeown, Edwards & Lenahan P.L.L.C.

[51] LOC (6) Cl. .... **08-03**

[57] CLAIM

[52] U.S. Cl. .... **D8/70**

[58] Field of Search ..... D8/61, 70; D15/21, D15/139; 7/104; 72/479, 482.93; 175/410; 407/30; 451/181, 224, 293, 349, 419, 461, 541

The ornamental design for a grinding pin, as shown and described.

### DESCRIPTION

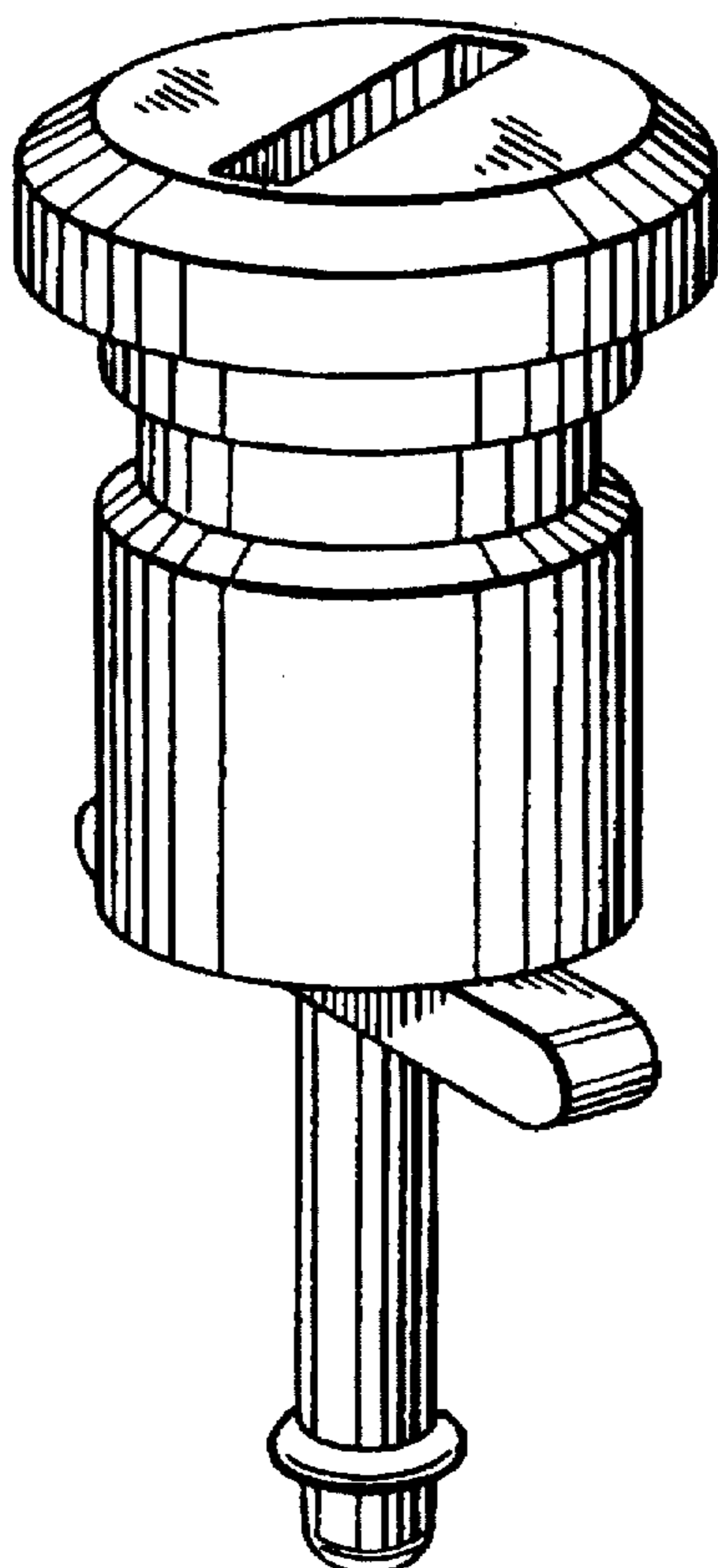
[56] References Cited

#### U.S. PATENT DOCUMENTS

D. 350,887 9/1994 Sjölander ..... D8/70  
382,340 5/1888 Vinton ..... 72/479  
1,088,154 2/1914 Keller ..... 72/482.93  
1,474,025 11/1923 Emerson ..... 72/479  
1,488,230 3/1924 Cundiff ..... 72/482.93  
4,611,438 9/1986 Sidén ..... 451/541

FIG. 1 illustrates a top front perspective view of a grinding pin;  
FIG. 2 illustrates a top plan view of the pin of FIG. 1;  
FIG. 3 illustrates a bottom plan view of the pin of FIG. 1;  
FIG. 4 illustrates a front elevational view of the pin of FIG. 1 the rear elevational view being identical thereto; and,  
FIG. 5 illustrates a side view of the pin of FIG. 1 the opposite side elevational view being identical thereto.

**1 Claim, 1 Drawing Sheet**



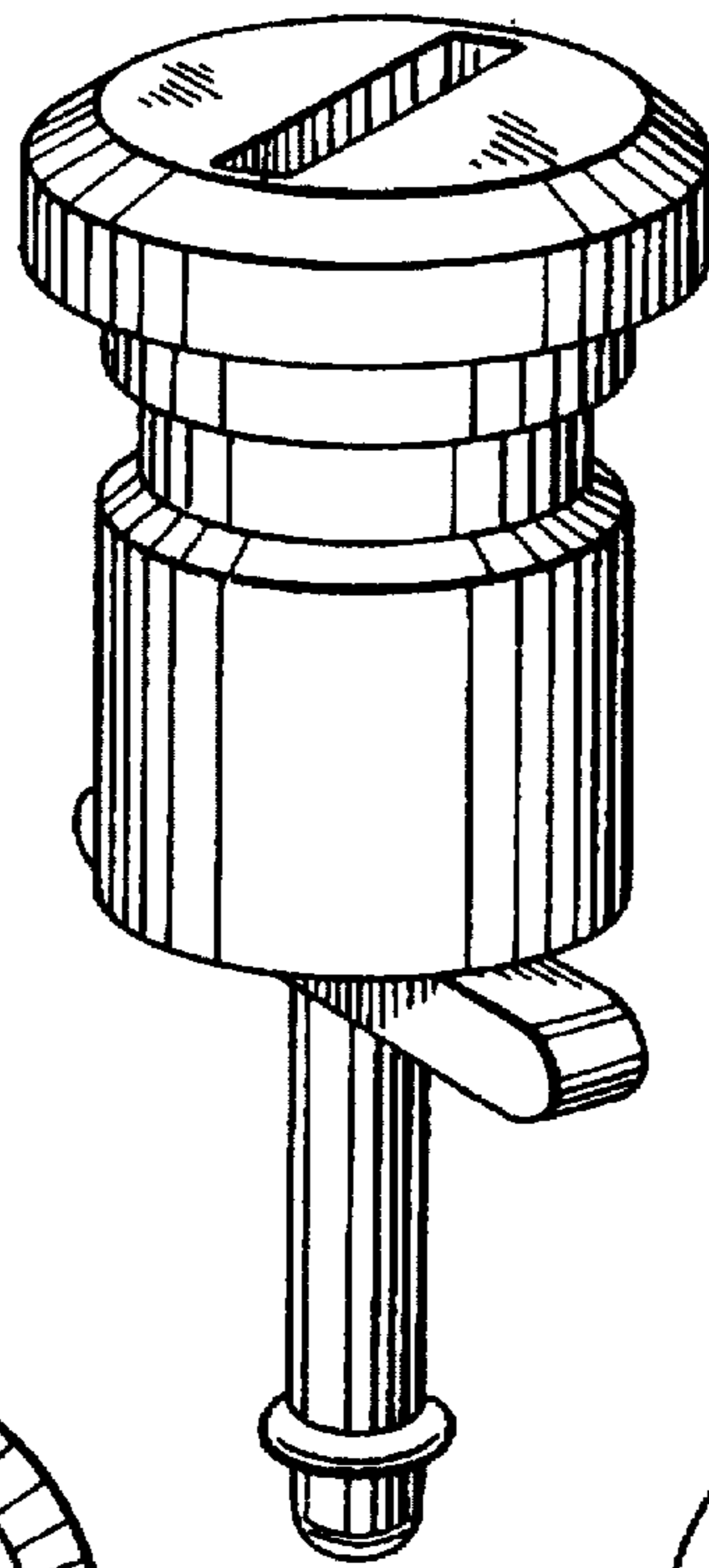


FIG. 1

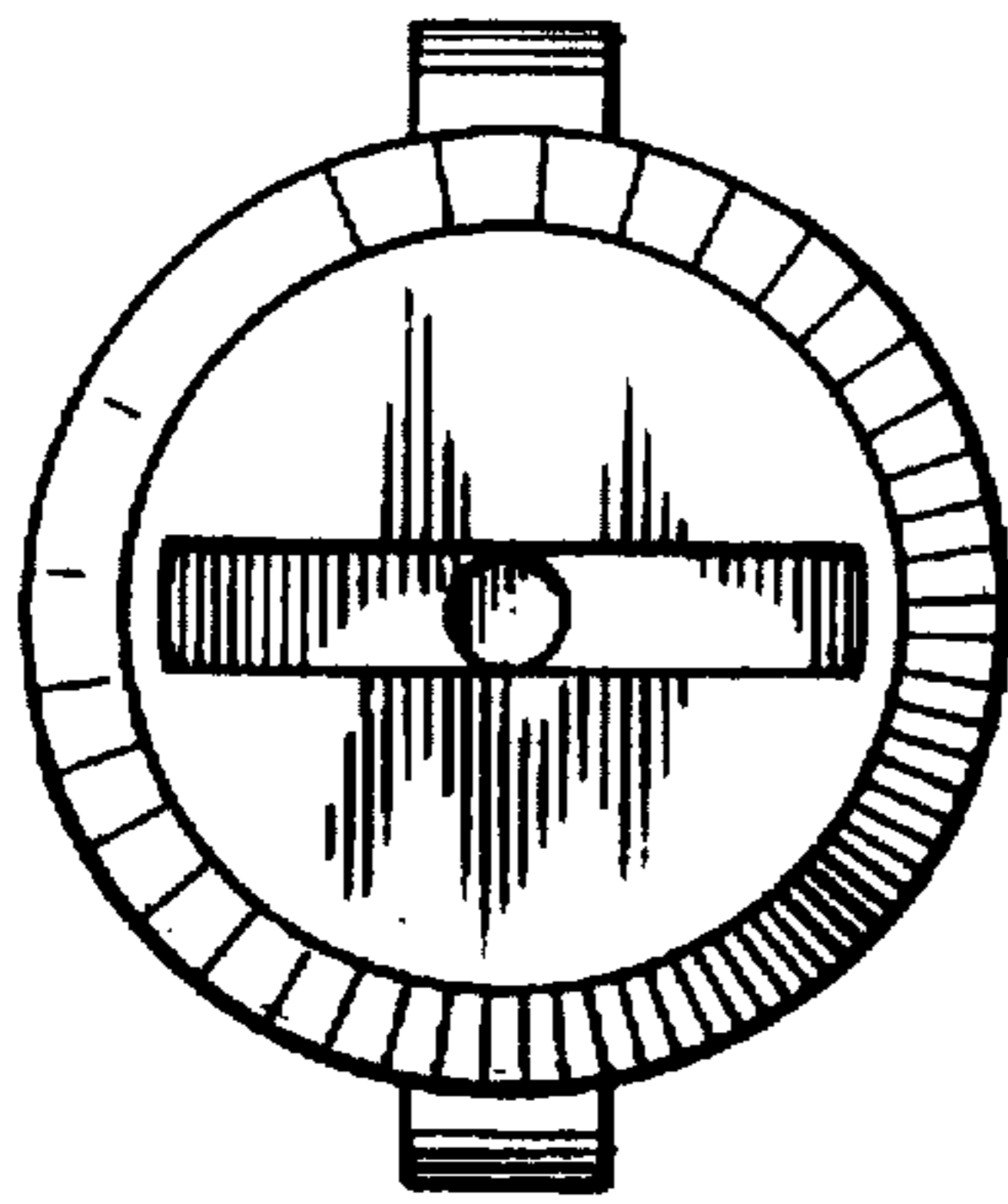


FIG. 2

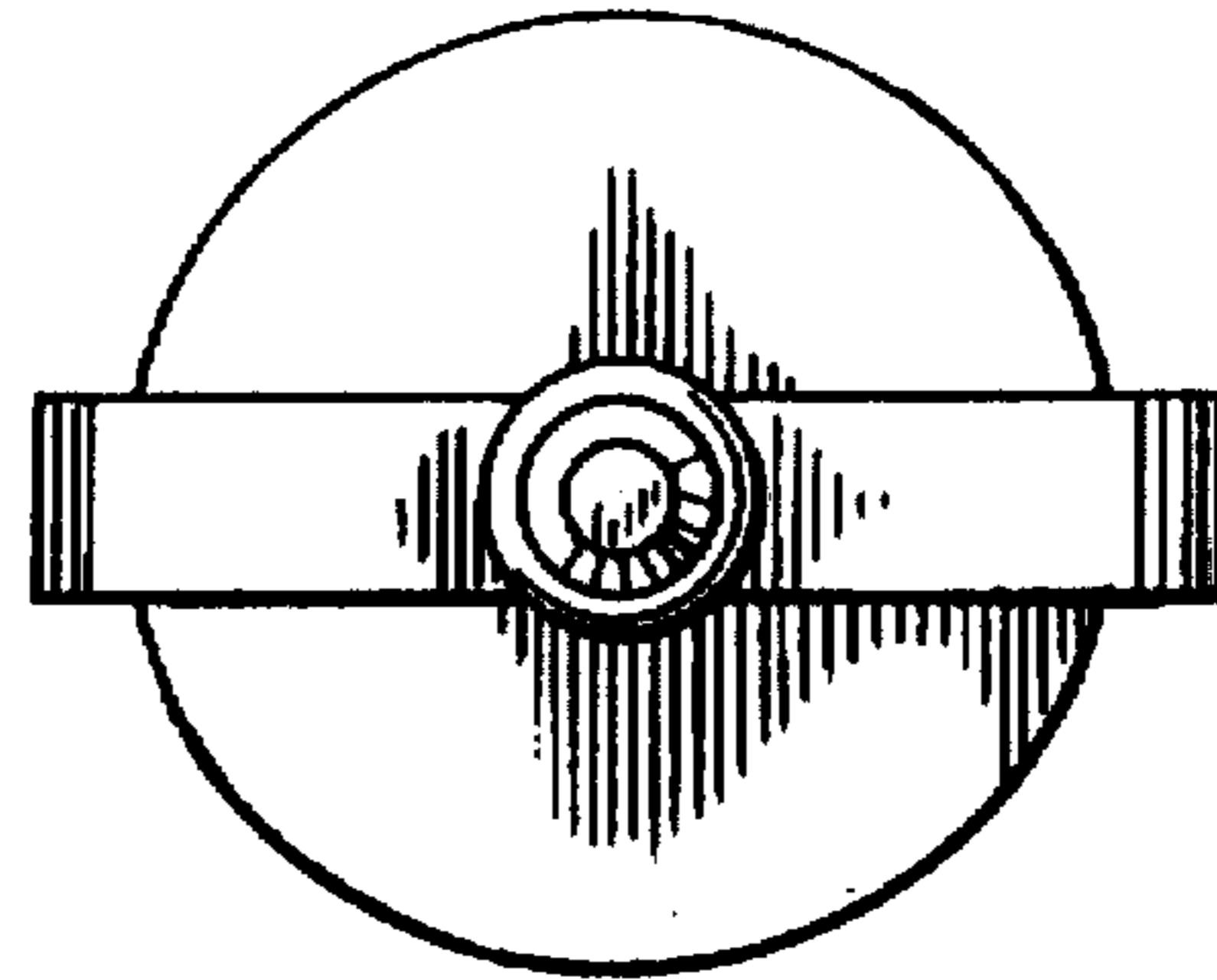


FIG. 3

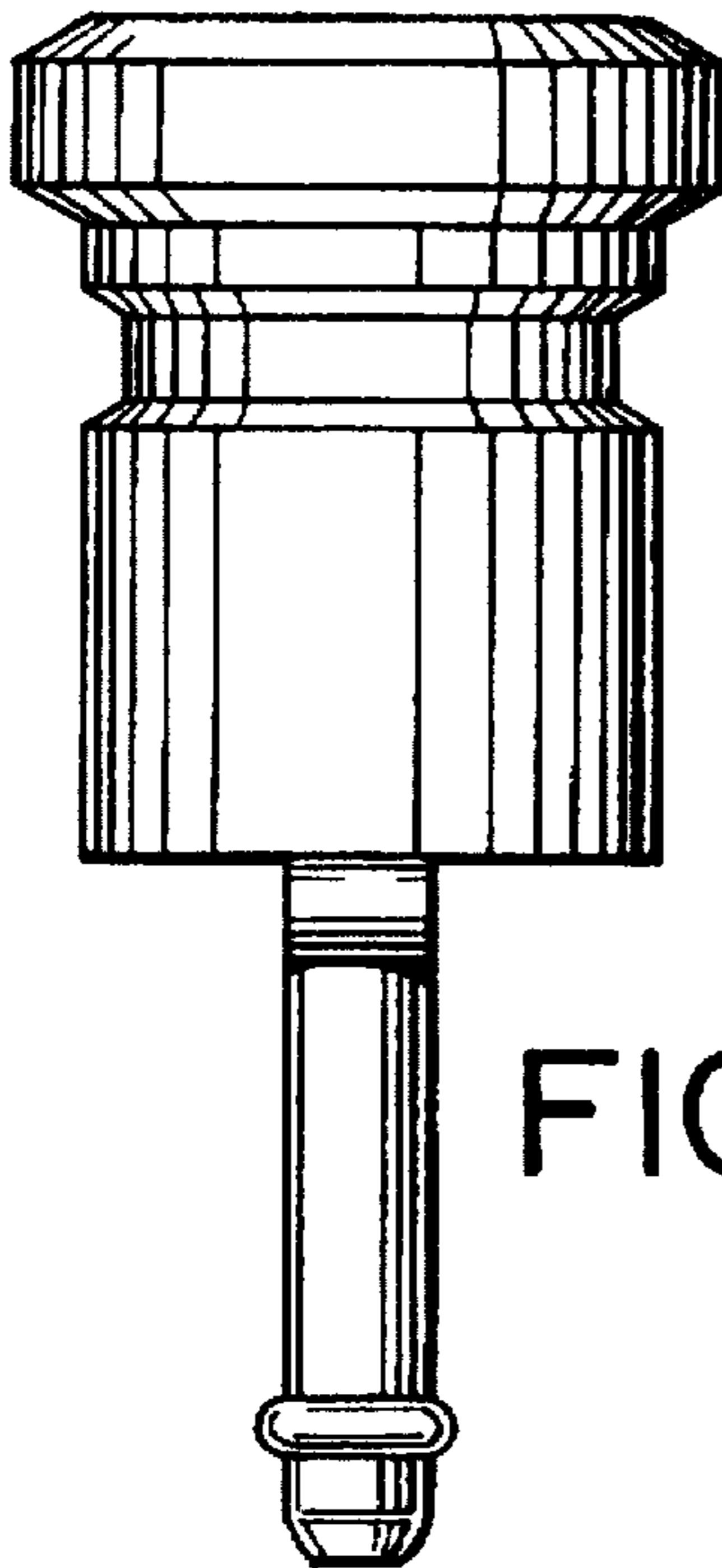


FIG. 4

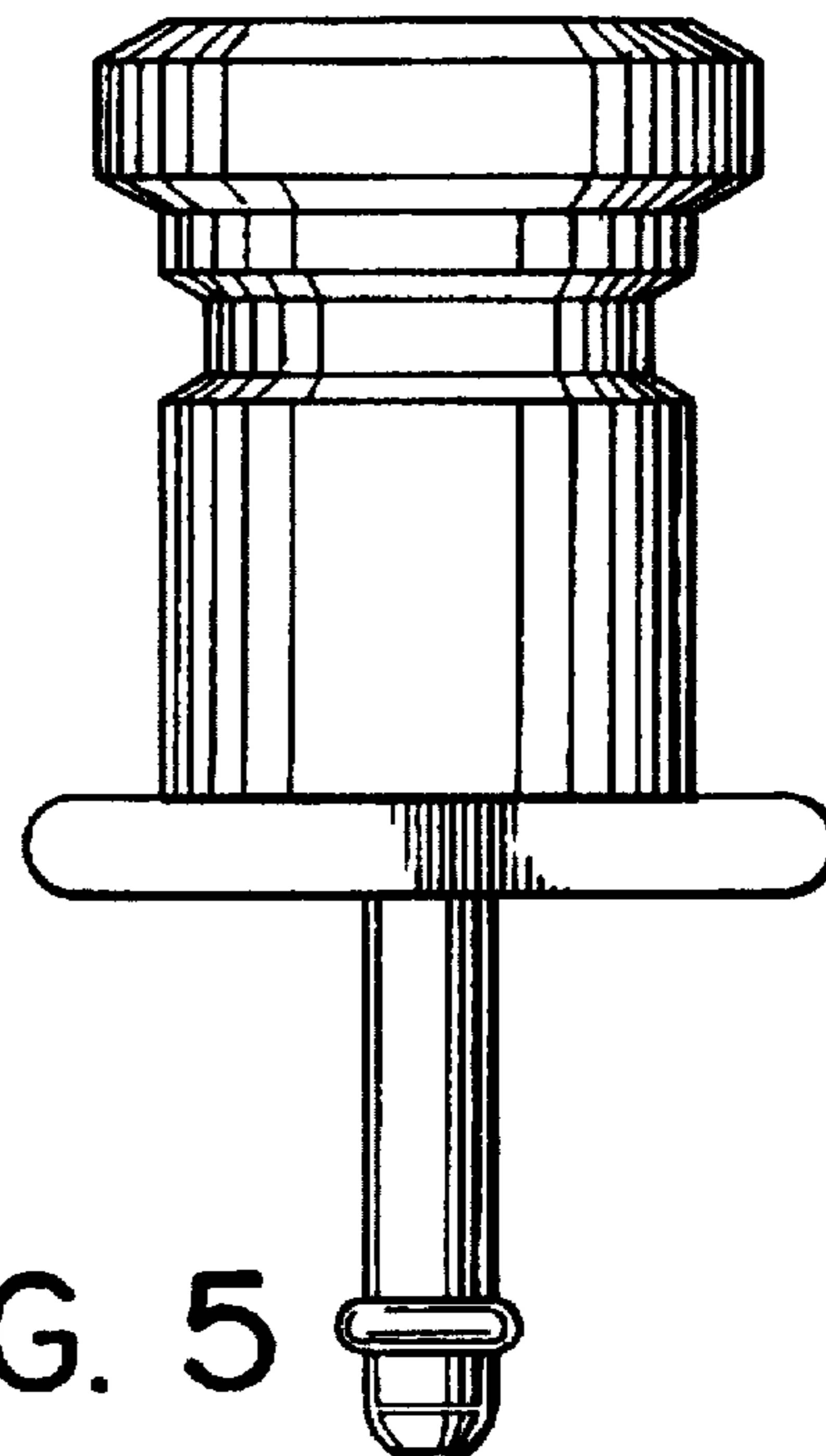


FIG. 5