



US00D383658S

United States Patent [19]
Kaiser

[11] **Patent Number: Des. 383,658**

[45] **Date of Patent: **Sep. 16, 1997**

[54] **PORTABLE FASTENER DRIVING DEVICE HOUSING**

Attorney, Agent, or Firm—Cushman Darby & Cushman IP Group of Pillsbury Madison & Sutro LLP

[75] **Inventor: David W. Kaiser, N. Haven, Conn.**

[57] **CLAIM**

[73] **Assignee: Stanley-Bostitch, Inc., East Greenwich, R.I.**

The ornamental design for a portable fastener driving device housing, as shown and described.

[**] **Term: 14 Years**

DESCRIPTION

[21] **Appl. No.: 54,632**

[22] **Filed: May 17, 1996**

[51] **LOC (6) Cl. 08-02**

[52] **U.S. Cl. D8/69; D8/68**

[58] **Field of Search D8/61, 68, 69; 227/8, 10, 120, 130**

FIG. 1 is a perspective view of a portable fastener device housing showing my new design, looking at the top, from the right side, the magazine assembly and the nosepiece of the device being shown in phantom lines;

FIG. 2 is a top plan view thereof;

FIG. 3 is a bottom plan view thereof;

FIG. 4 is a left side elevational view thereof, the right side thereof being a mirror image thereof;

FIG. 5 is a front elevational view thereof; and,

FIG. 6 is a rear elevational view thereof.

The broken line showing of the magazine assembly and the nosepiece is for illustrative purposes only and forms no part of the claimed design.

[56] **References Cited**

U.S. PATENT DOCUMENTS

- D. 311,122 10/1990 Johnson et al. .
- D. 316,022 4/1991 Moraht .
- D. 337,252 7/1993 Tsuru et al. D8/69
- D. 348,382 7/1994 Kaiser .
- D. 353,664 12/1994 Eminger et al. .
- 5,560,528 10/1996 Chen 227/130

OTHER PUBLICATIONS

Stanley Bostitch Fastening Systems, S32SX Finish Stapler; Sep. 1993.

Primary Examiner—Antoine Duval Davis

1 Claim, 4 Drawing Sheets

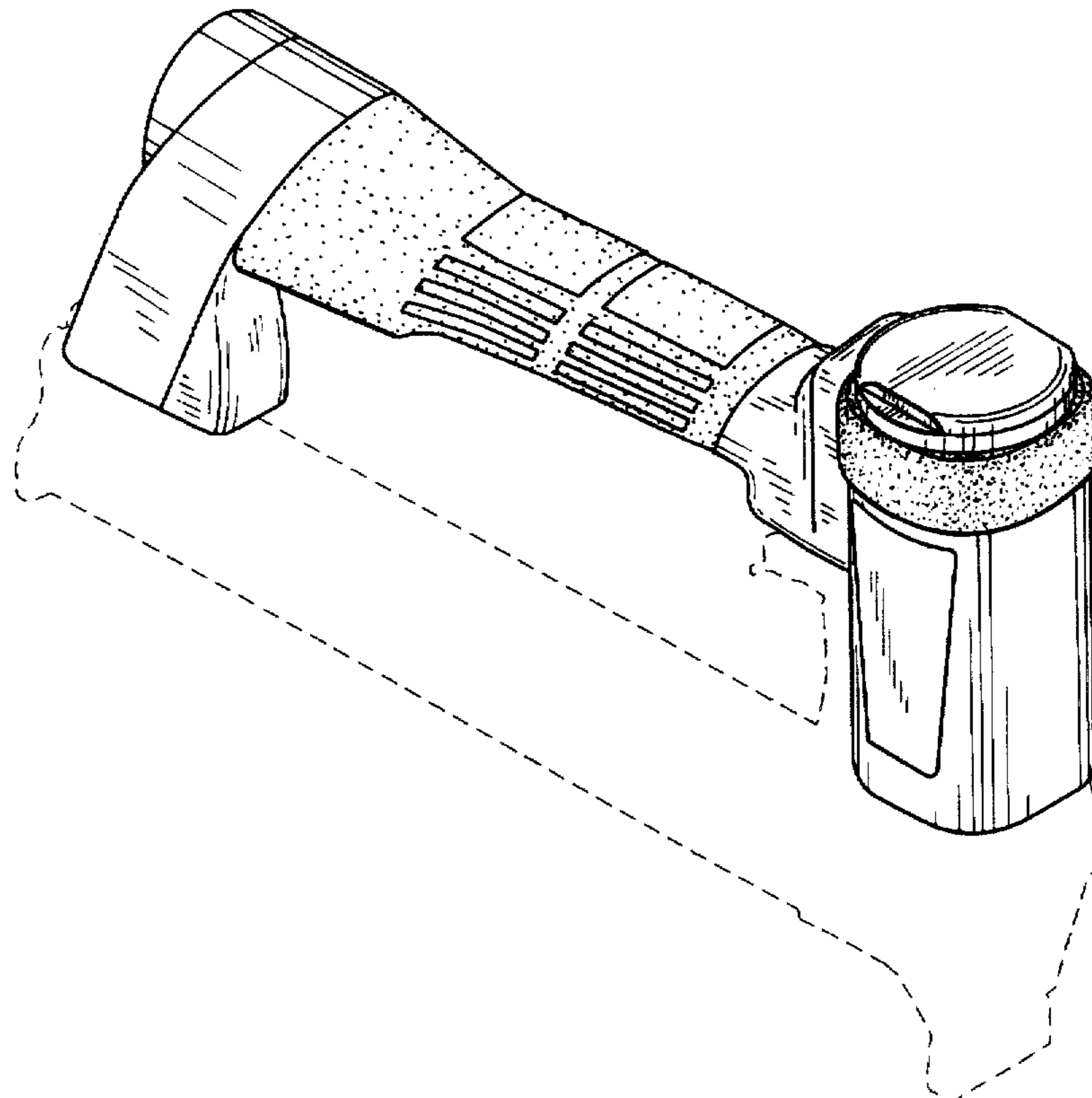


FIG.1

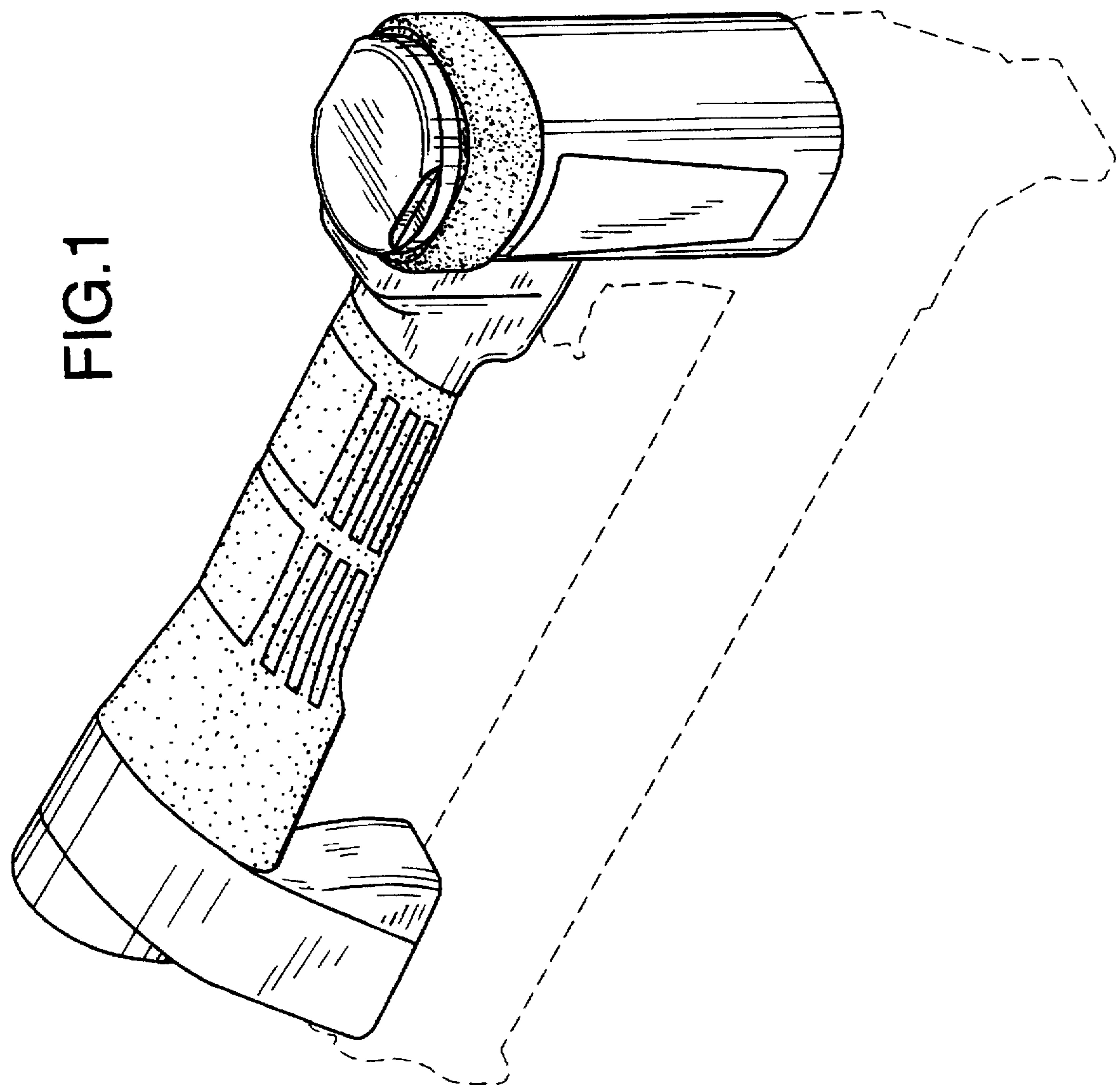


FIG.2

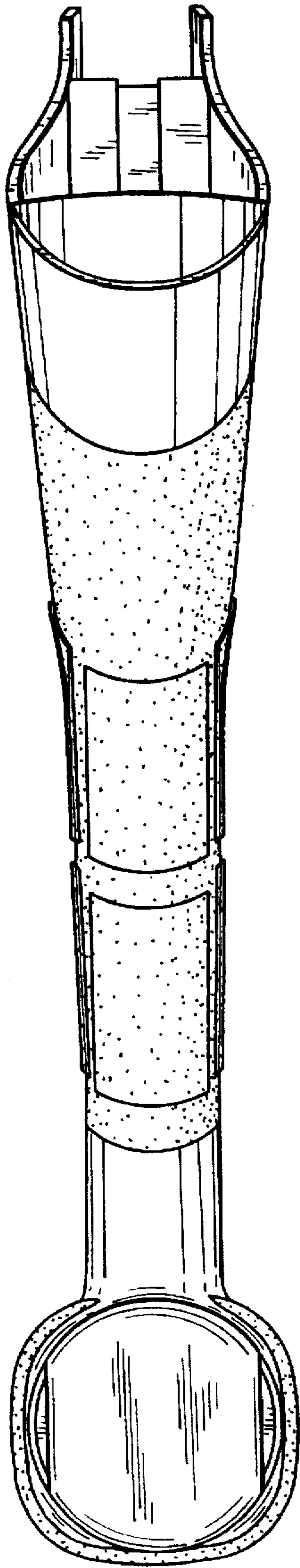


FIG.3

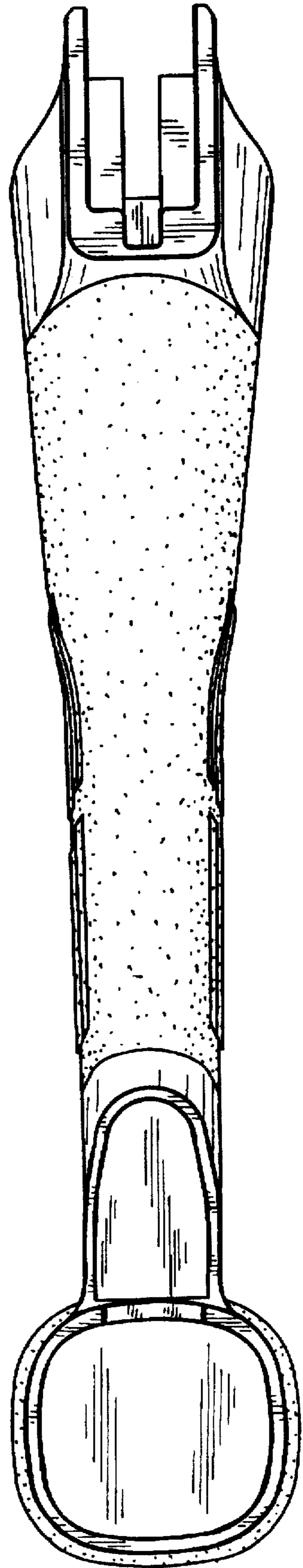


FIG.4

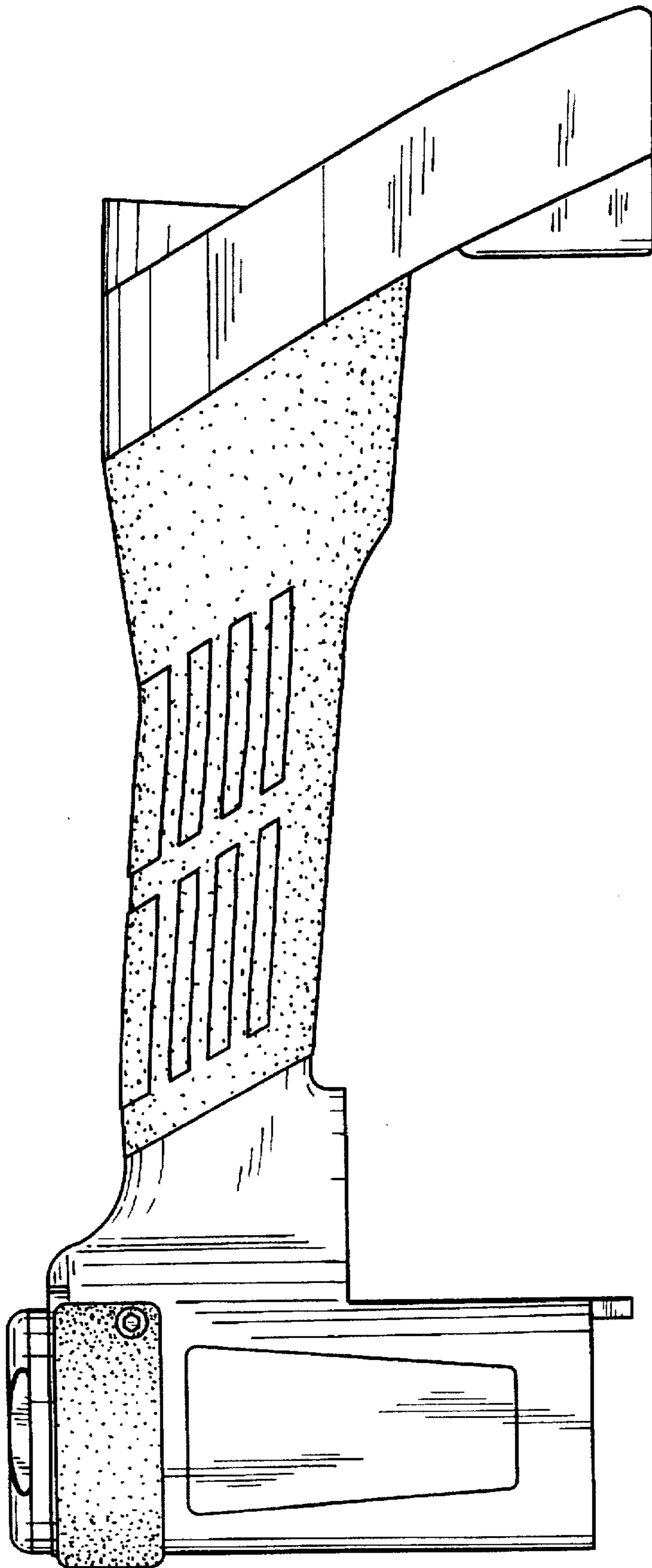


FIG.5

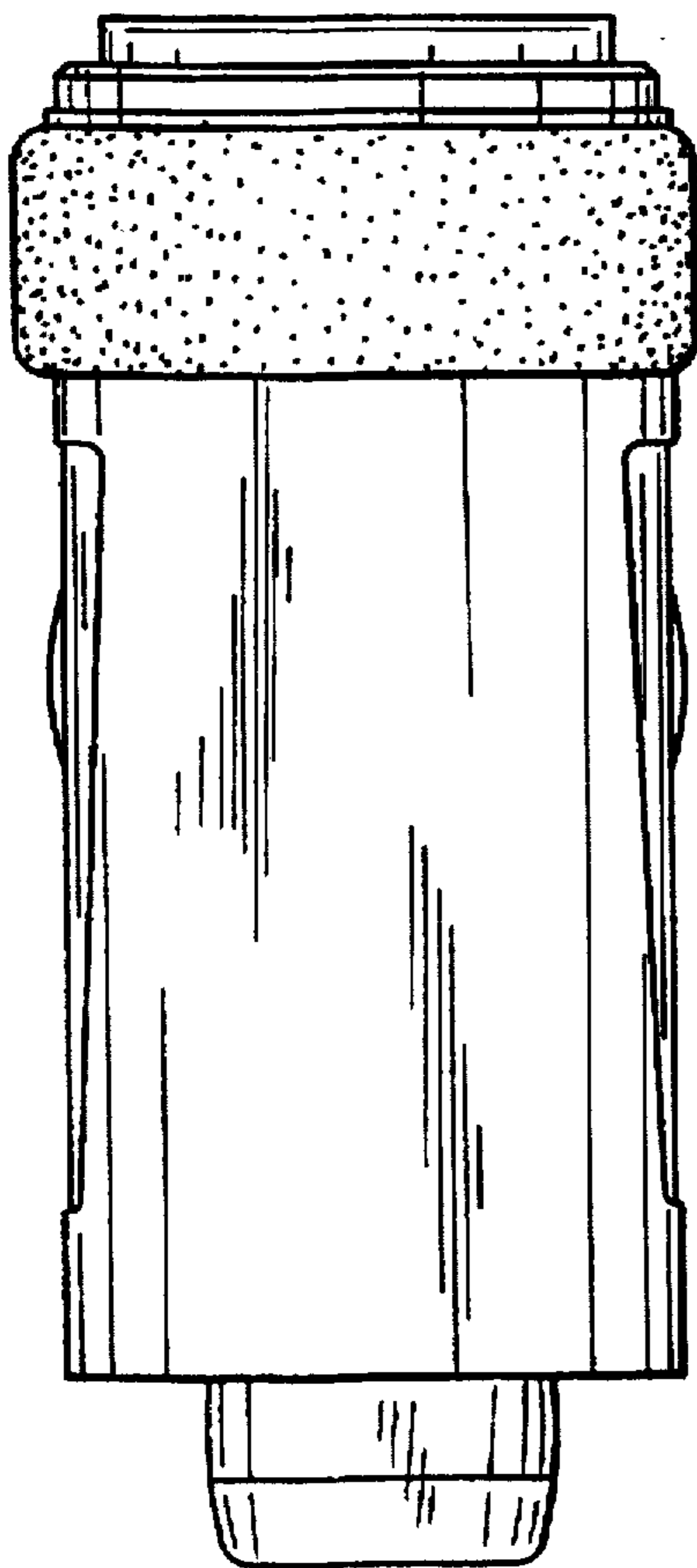


FIG.6

