



US00D383657S

United States Patent [19]
Kaiser

[11] **Patent Number: Des. 383,657**
[45] **Date of Patent: **Sep. 16, 1997**

[54] **FASTENER DRIVING DEVICE HOUSING**
[75] **Inventor: David W. Kaiser, North Haven, Conn.**
[73] **Assignee: Stanley-Bostitch, Inc., East Greenwich, R.I.**
[**] **Term: 14 Years**

Attorney, Agent, or Firm—Cushman Darby & Cushman IP Group of Pillsbury Madison & Sutro LLP

[21] **Appl. No.: 54,631**
[22] **Filed: May 17, 1996**
[51] **LOC (6) Cl. 08-02**
[52] **U.S. Cl. D8/69; D8/68**
[58] **Field of Search D8/61, 68, 69; 227/8, 10, 120, 130**

[57] **CLAIM**
The ornamental design for a fastener driving device housing, as shown and described.

DESCRIPTION

[56] **References Cited**
U.S. PATENT DOCUMENTS
D. 311,122 10/1990 Johnsson et al. .
D. 316,022 4/1991 Moraht .
D. 337,252 7/1993 Tsuru et al. D8/69
D. 348,382 7/1994 Kaiser .
D. 353,664 12/1994 Eminger et al. .
5,560,528 10/1996 Chen 227/130

FIG. 1 is a perspective view of a fastener device housing showing my new design, looking at the top, from the left side, the magazine assembly and the nosepiece of the device being shown in phantom lines;
FIG. 2 is a top plan view thereof;
FIG. 3 is a bottom plan view thereof;
FIG. 4 is a left side elevational view thereof, the right side thereof being a mirror image thereof;
FIG. 5 is a front elevational view thereof; and,
FIG. 6 is a rear elevational view thereof.
The broken line showing of the magazine assembly and the nosepiece is for illustrative purposes only and forms no part of the claimed design.

OTHER PUBLICATIONS

Stanley Bostitch Fastening Systems; S32SX Finish Stapler; Sep. 1993.

Primary Examiner—Antoine Duval Davis

1 Claim, 4 Drawing Sheets

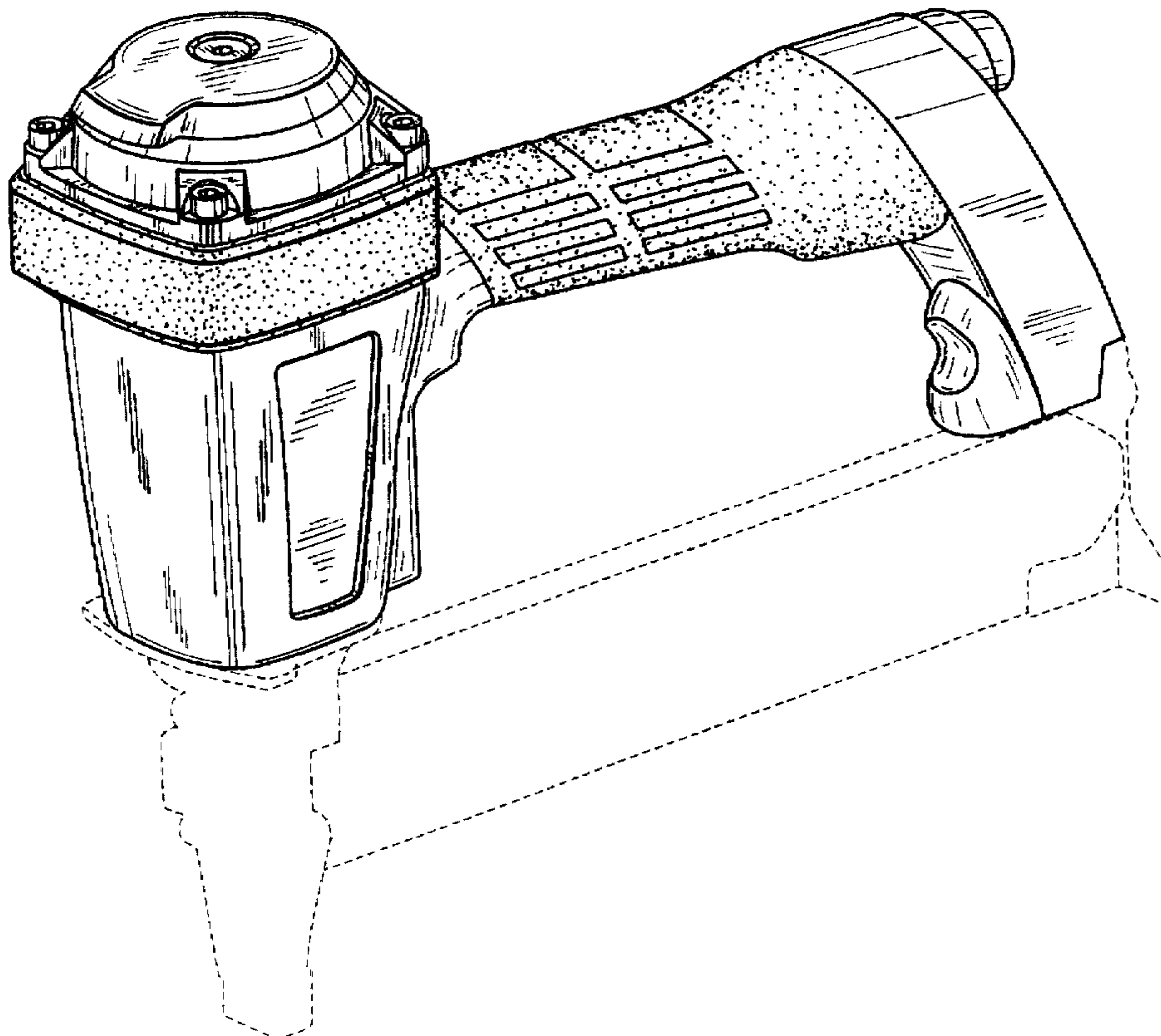


FIG.1

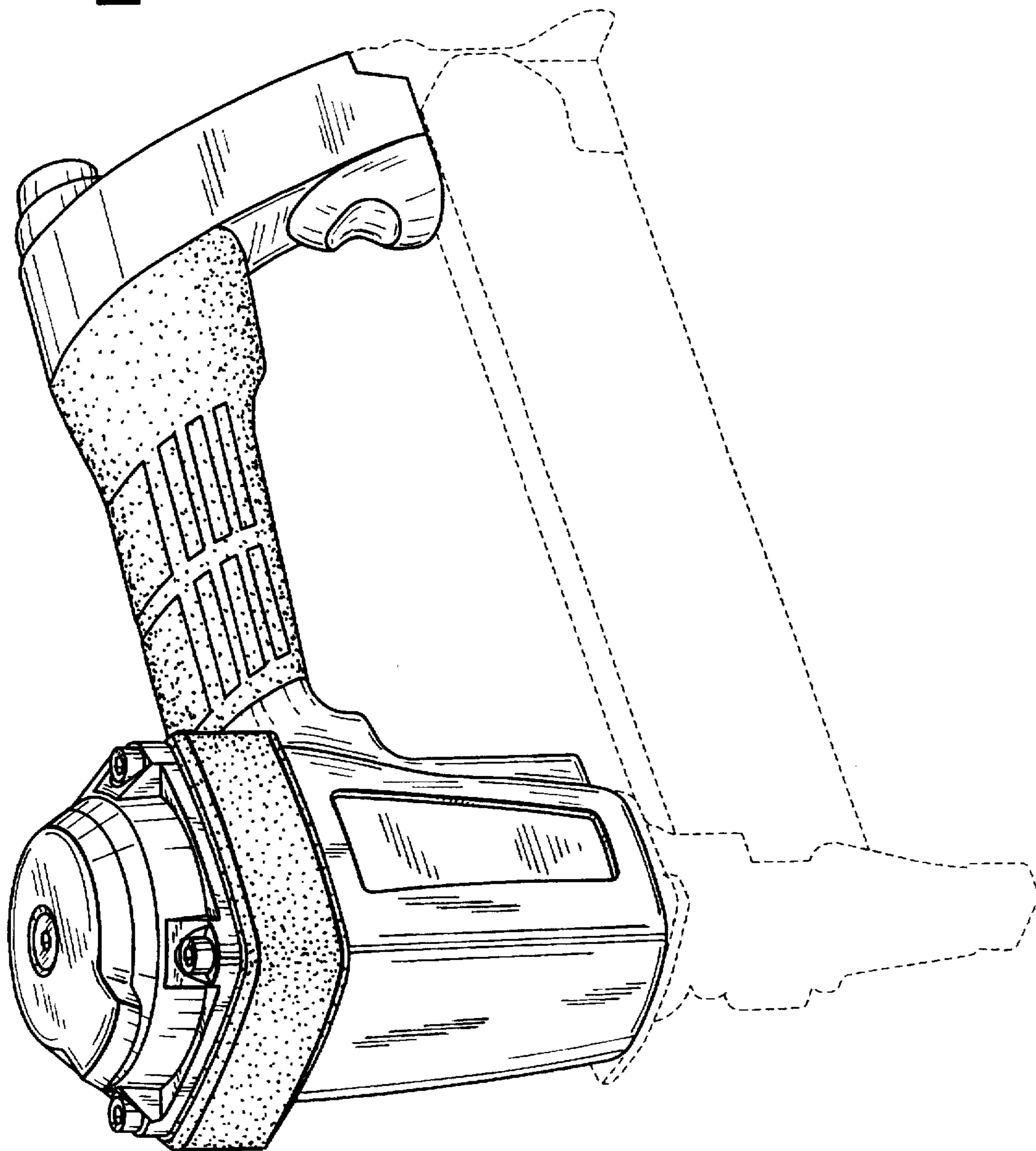


FIG.2

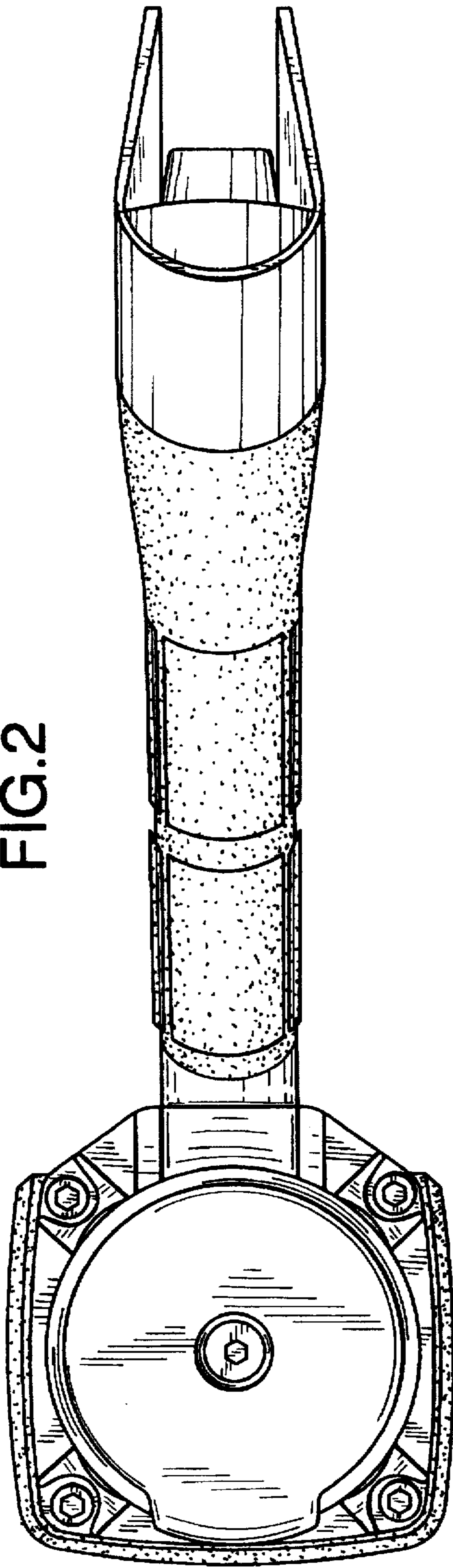


FIG.3

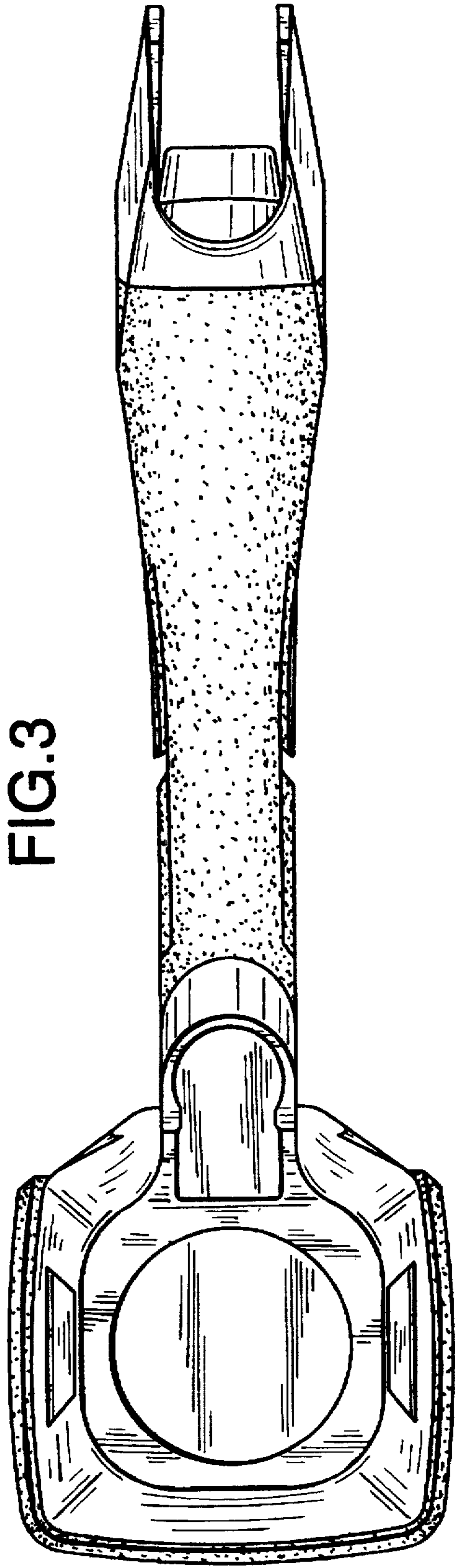
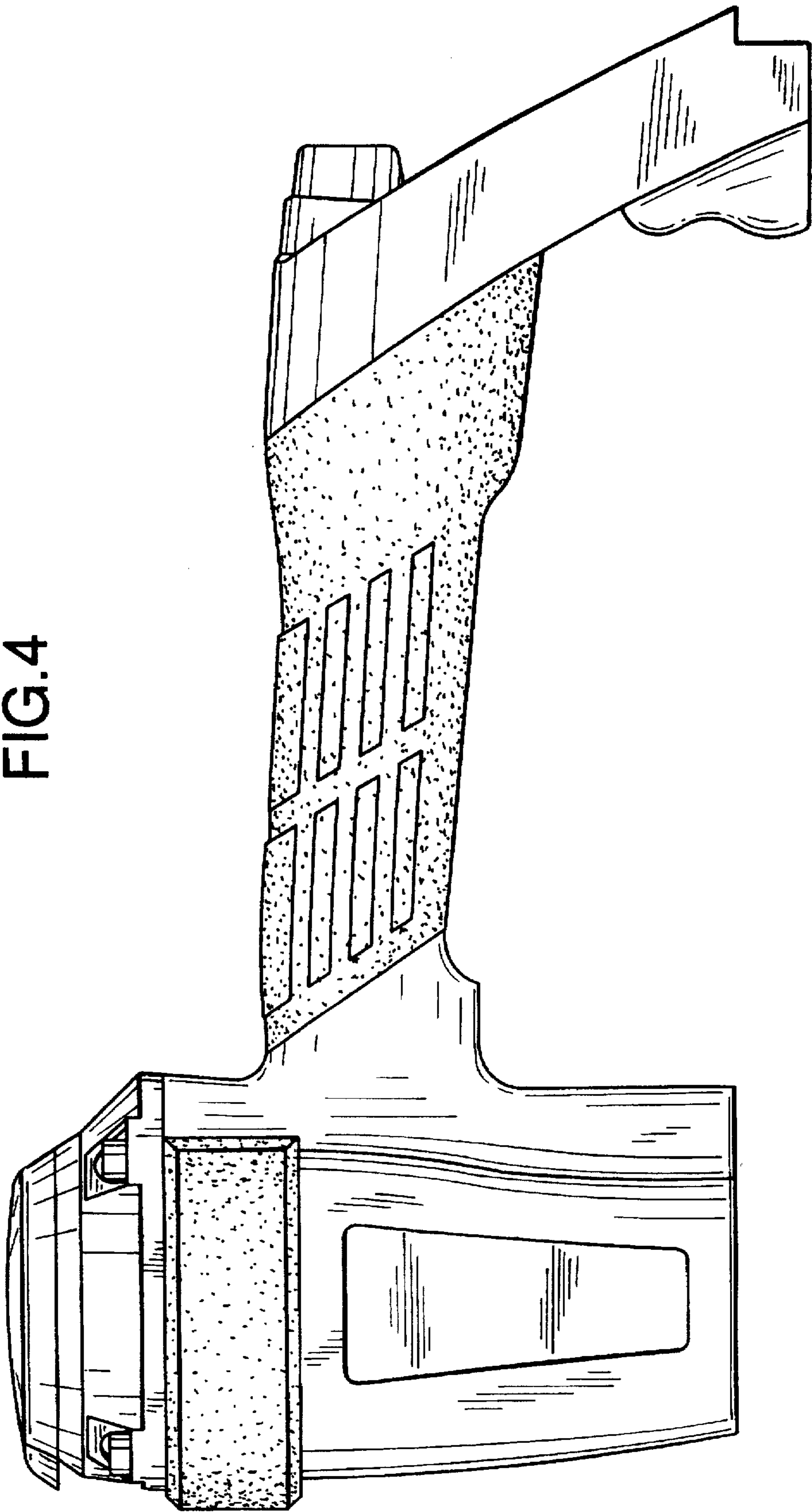


FIG.4



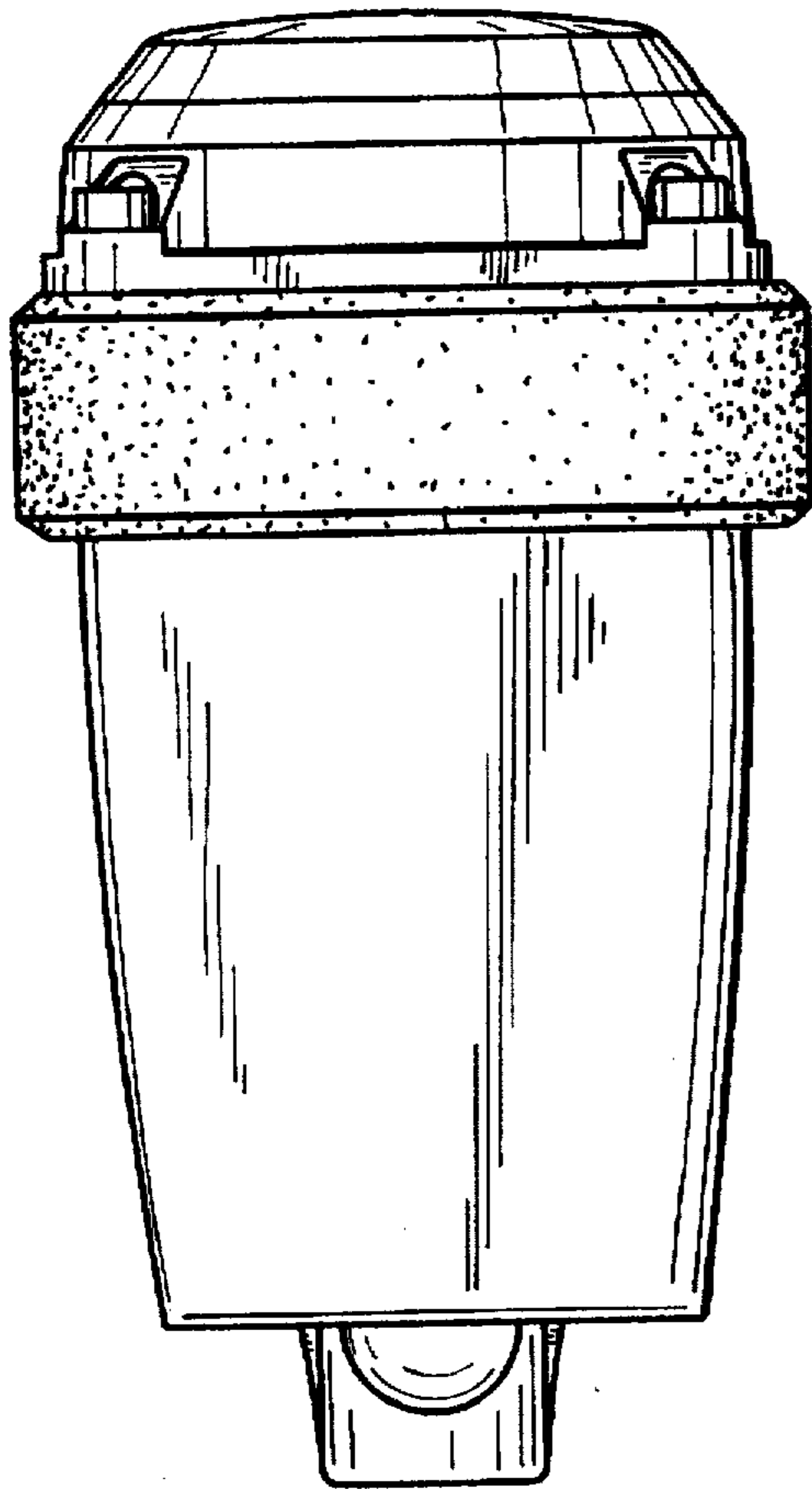


FIG.5

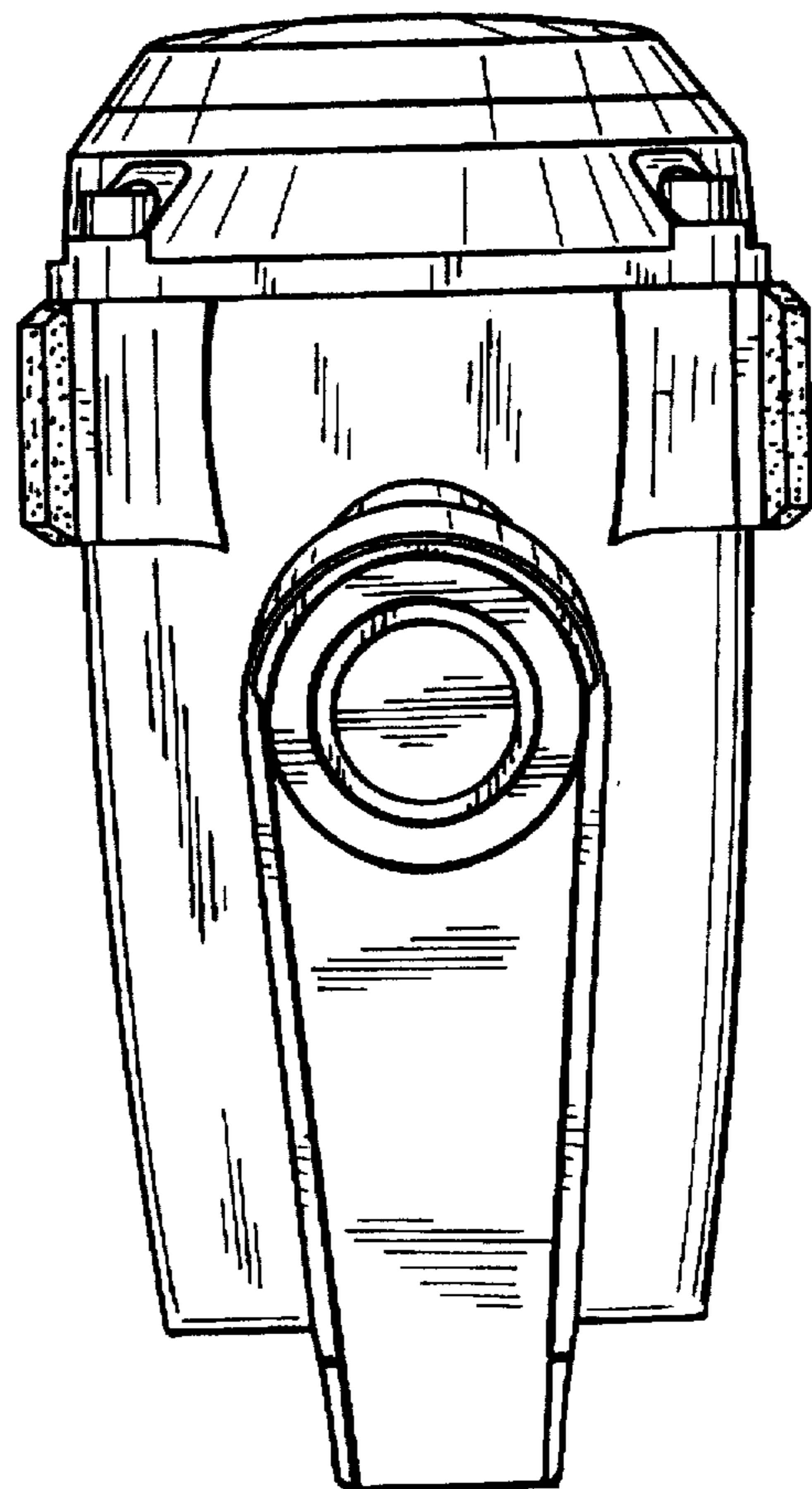


FIG.6