



US00D383656S

United States Patent [19]

[11] Patent Number: **Des. 383,656**

Muro

[45] Date of Patent: ****Sep. 16, 1997**

[54] **SUCCESSIVE SCREW FEEDER DRIVER**

Primary Examiner—Antoine Duval Davis
Attorney, Agent, or Firm—Sughrue, Mion, Zinn, Macpeak & Seas

[75] Inventor: **Narahiko Muro, Tokyo, Japan**

[73] Assignee: **Muro Corporation, Tokyo, Japan**

[57] **CLAIM**

[**] Term: **14 Years**

The ornamental design for a successive screw feeder driver, as shown and described.

[21] Appl. No.: **54,685**

DESCRIPTION

[22] Filed: **May 20, 1996**

[30] **Foreign Application Priority Data**

FIG. 1 is a side elevational view of a successive screw feeder driver showing my new design;

Nov. 22, 1995 [JP] Japan 7-35127

FIG. 2 is an opposite side elevational view thereof;

[51] **LOC (6) Cl.** **08-01**

FIG. 3 is a bottom plan view thereof;

[52] **U.S. Cl.** **D8/68**

FIG. 4 is a top plan view thereof;

[58] **Field of Search** **D8/68; 81/434, 81/57.37; 227/120**

FIG. 5 is a front elevational view thereof;

FIG. 6 is a rear elevational view thereof;

[56] **References Cited**

U.S. PATENT DOCUMENTS

- D. 326,597 6/1992 Lee D8/68
- D. 329,794 9/1992 Graham D8/68
- 4,428,261 1/1984 Takatsu et al. 81/434

FIG. 7 is a side elevational view thereof with an extended handle secured thereto; and,

FIG. 8 is a top plan view thereof with the extended handle secured thereto.

1 Claim, 7 Drawing Sheets

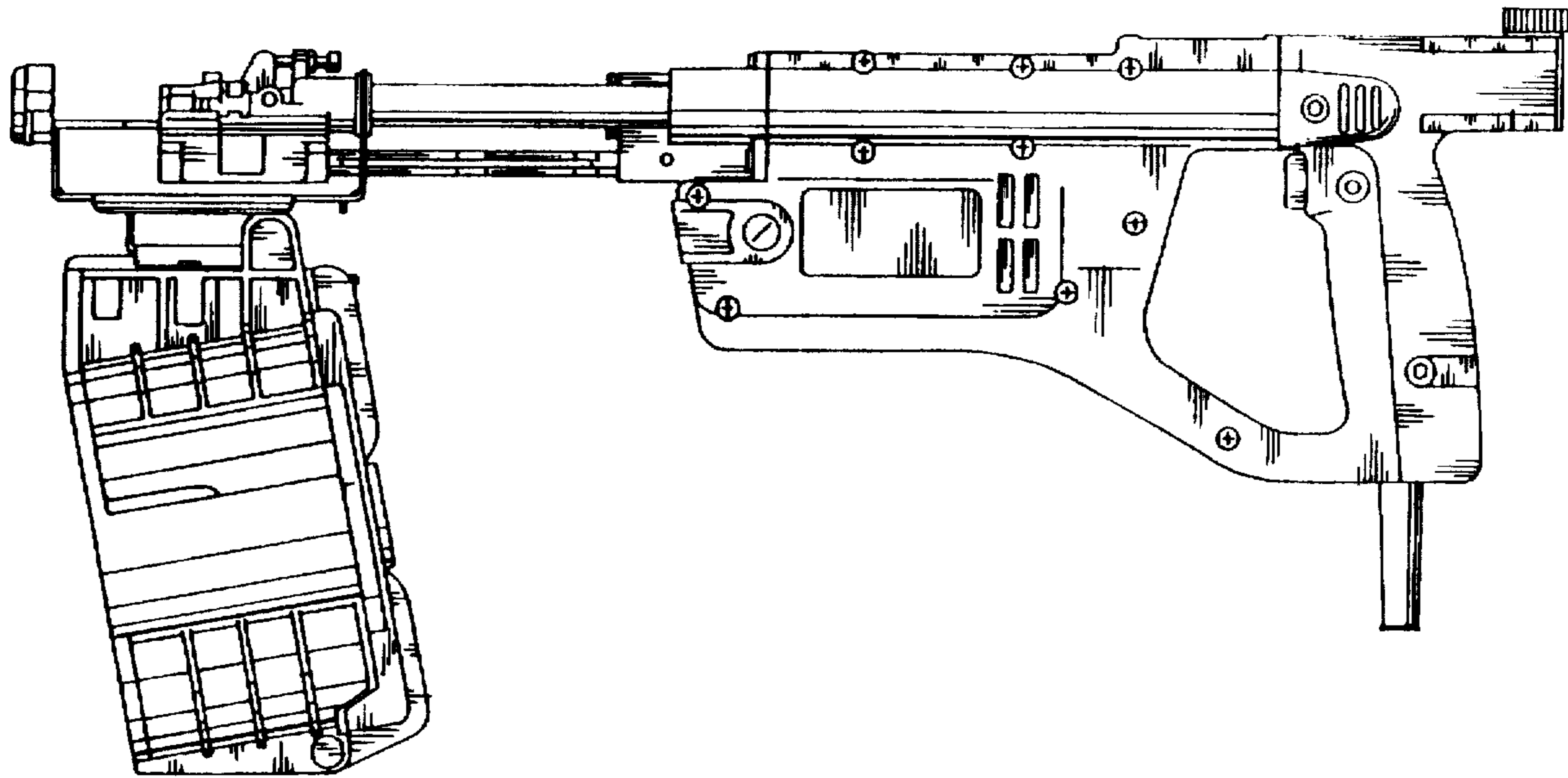


FIG. 1

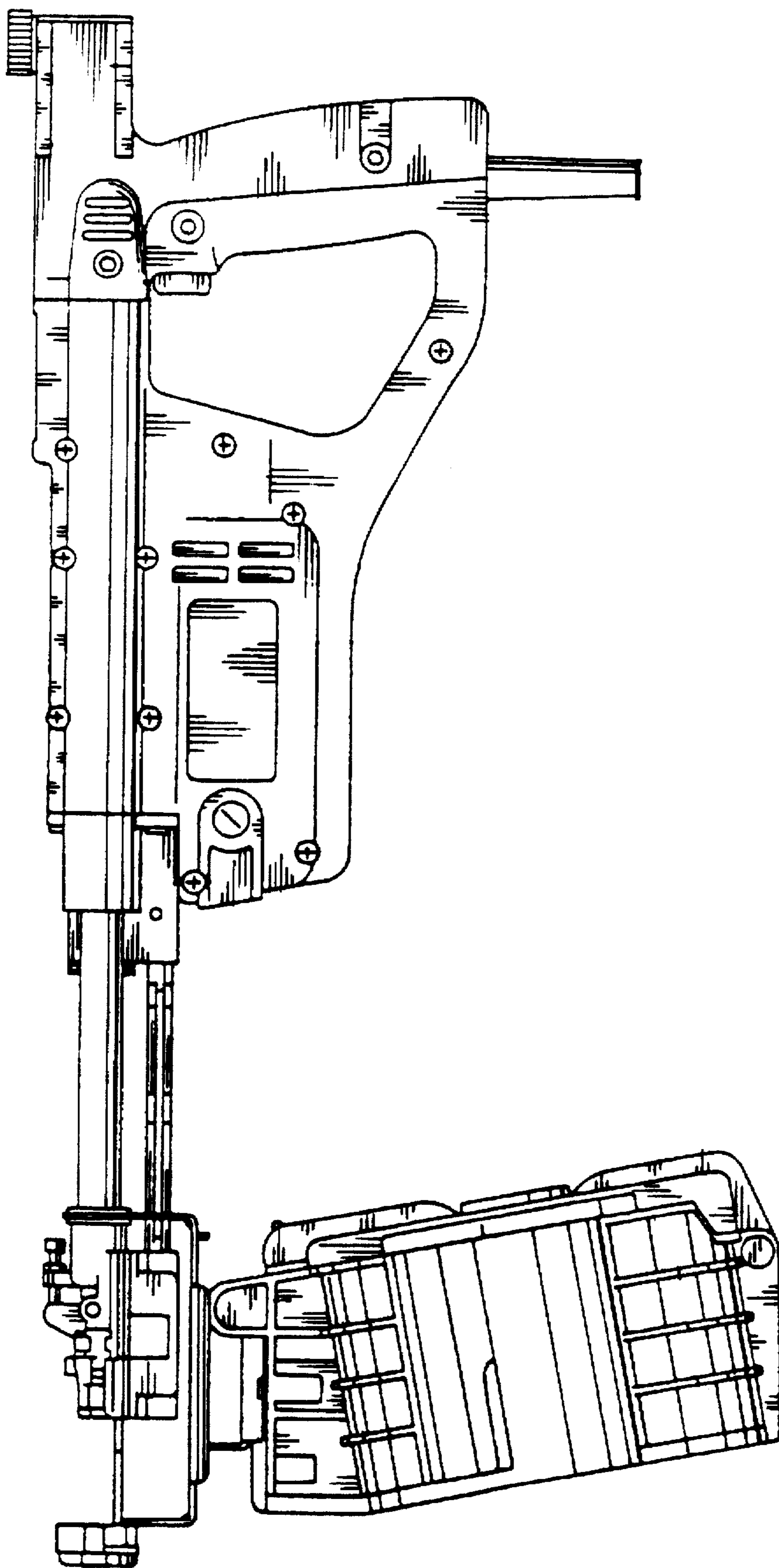


FIG. 2

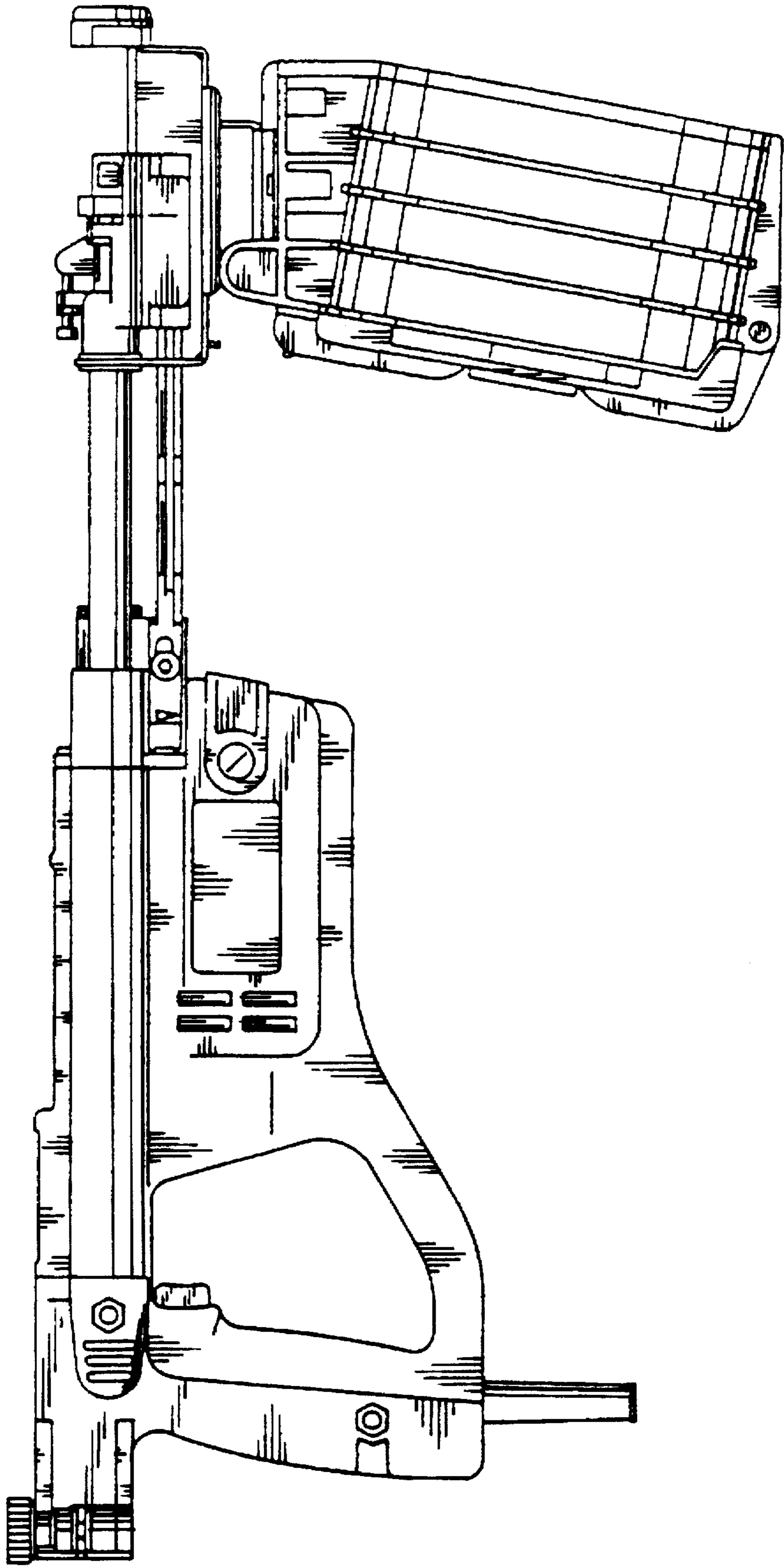


FIG. 3

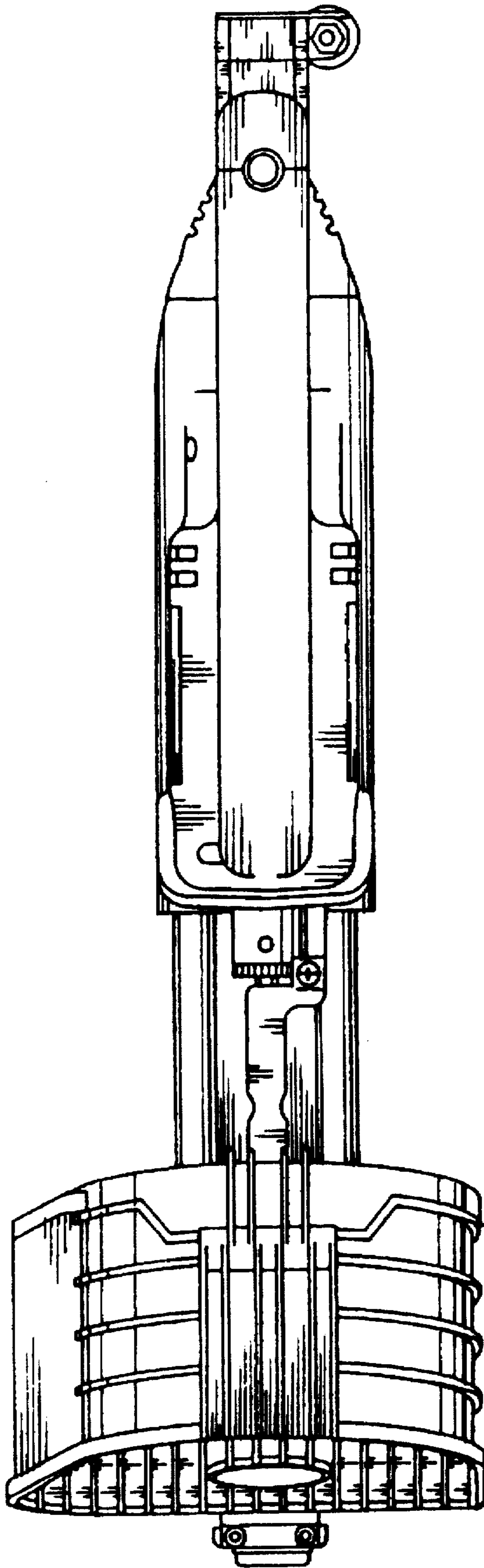


FIG. 4

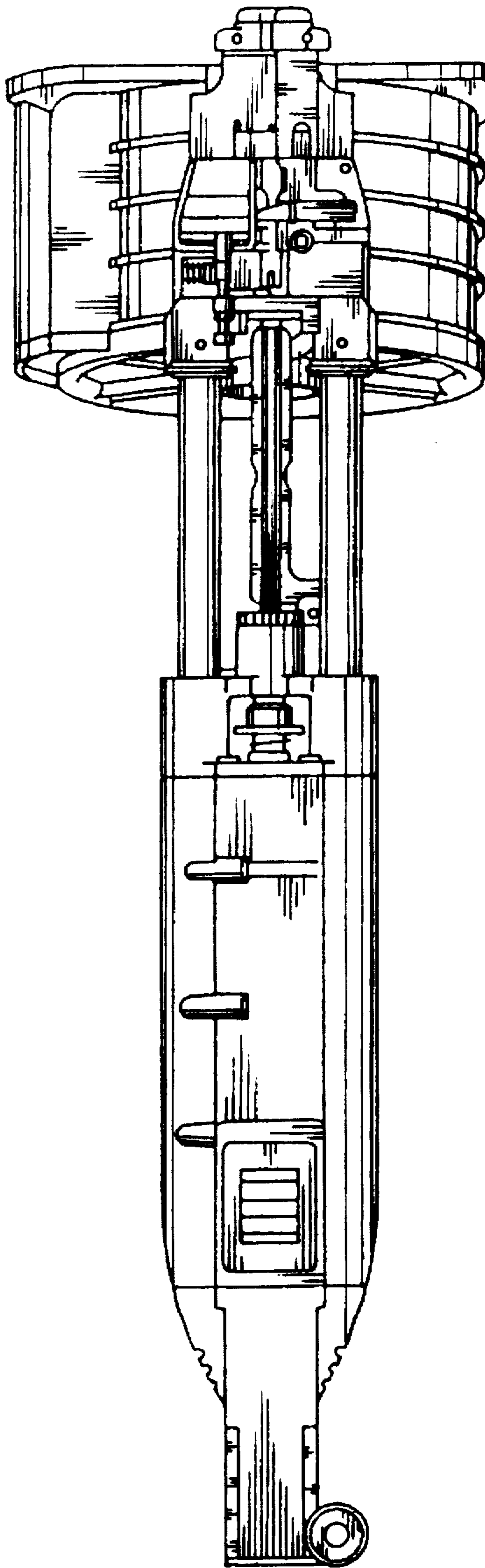


FIG. 5

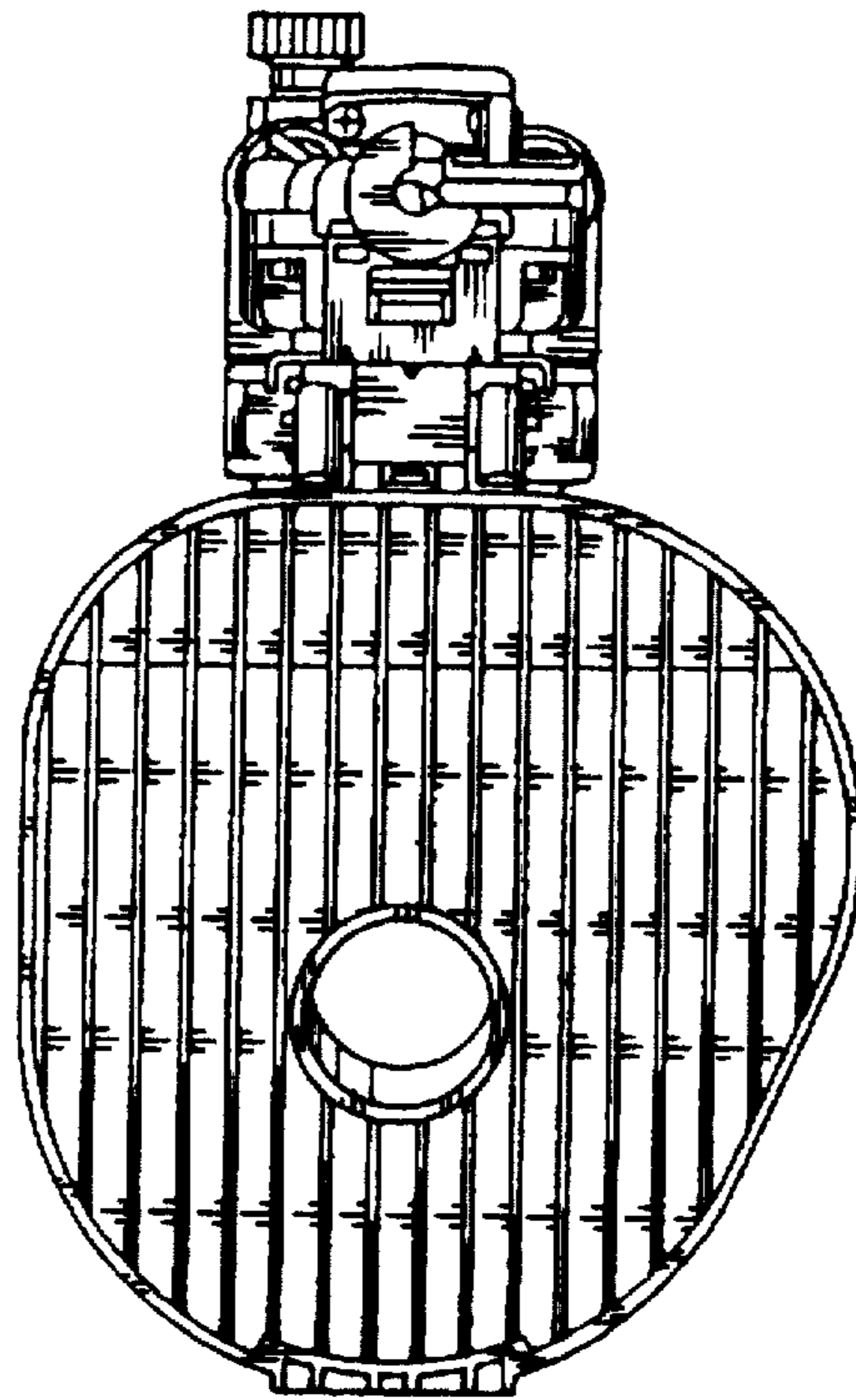


FIG. 6

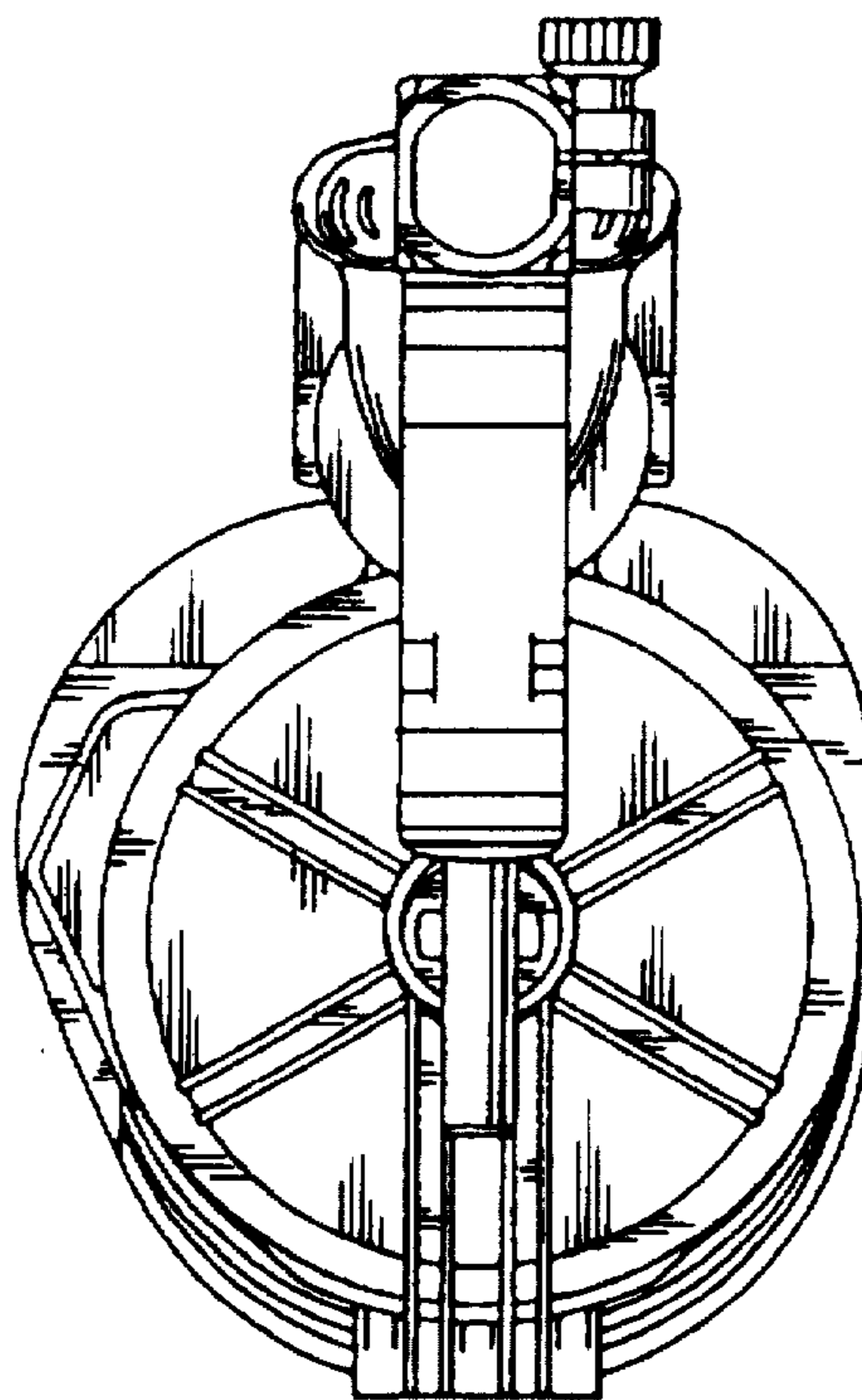


FIG. 7

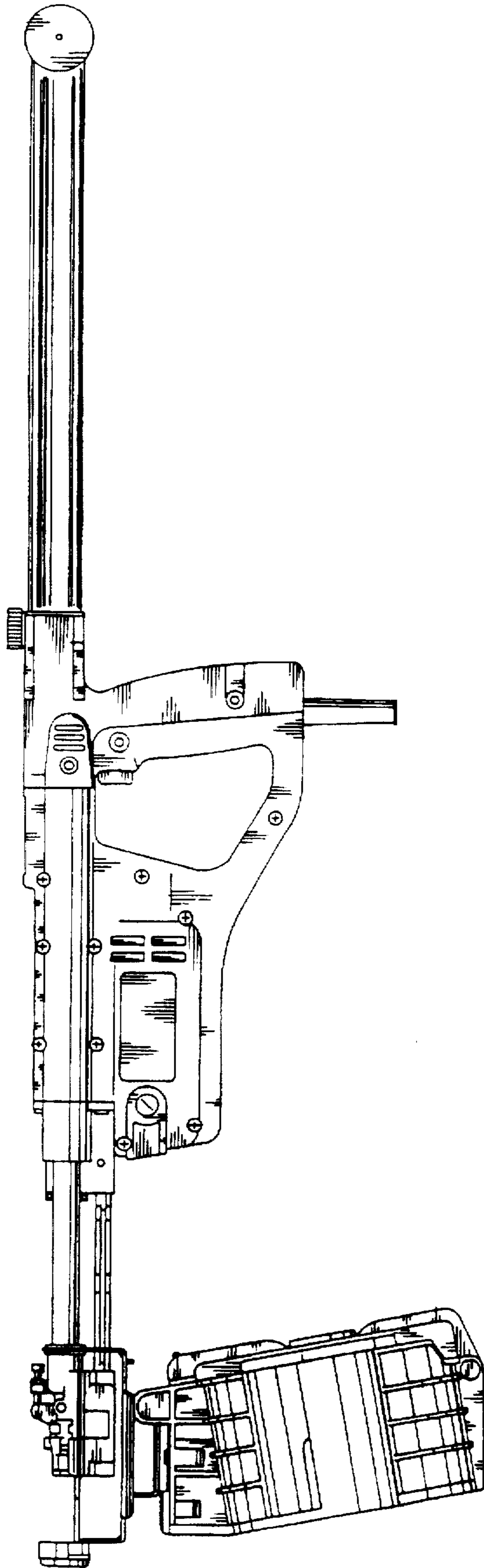


FIG. 8

