



US00D383646S

United States Patent [19]

Jeppesen et al.

[11] Patent Number: Des. 383,646

[45] Date of Patent: **Sep. 16, 1997

[54] BOWL

[75] Inventors: **Hanne Dalsgaard Jeppesen, Holte; Jakob Heiberg, Charlottenlund; Stig Lillelund, Gentofte, all of Denmark**

[73] Assignee: **Dart Industries, Orlando, Fla.**

[**] Term: **14 Years**

[21] Appl. No.: **48,202**

[22] Filed: **Dec. 22, 1995**

[51] LOC (6) Cl. **07-01**

[52] U.S. Cl. **D7/584; D7/545; D7/543**

[58] Field of Search D7/500, 585, 505, D7/507, 701, 538, 540, 541, 542, 543, 545, 546, 547, 549, 550, 552, 553, 554, 555, 557, 566, 584, 586, 587, 601, 602, 590, 592, 387, 354, 560, 561, 562, 565, 509; 220/671, 675, 575, 23.8, 556, 23.83

[56] References Cited

U.S. PATENT DOCUMENTS

- D. 9,335 6/1876 Bryce D7/562
- D. 95,246 4/1935 Guild D7/565
- D. 95,935 6/1935 Snyder D7/565
- D. 102,968 1/1937 Falbte 220/23.83 X
- D. 234,180 1/1975 Dalt et al. D7/565
- D. 244,741 6/1977 Daenen .
- D. 286,249 10/1986 Carlson D7/587
- D. 288,050 2/1987 Fox et al. D7/545
- D. 309,554 7/1990 Meisner .
- D. 337,187 7/1993 Hampshire .

- D. 342,647 12/1993 Brazis et al. D7/543
- D. 345,892 4/1994 Heiberg et al. D7/543
- 3,815,736 6/1974 Sedlak .
- 5,409,126 4/1995 DeMars .

OTHER PUBLICATIONS

- Pottery F8 & 6S, Poppytrail Pottery Catalog by Metlox p. 15.
- Sherbert Insert, Institutions Nov. 1960 p. 28.
- Pyrexware Utility Covered Casserole Part (bottom) #684 1973 Catalog.
- Bowl "B" Pyrex Catalog 1967.
- Mixing Bowl (S51540) Helen Gallagher Foster House 1968-69 p. 36.

Primary Examiner—M. N. Pandozzi
Attorney, Agent, or Firm—John A. Doninger

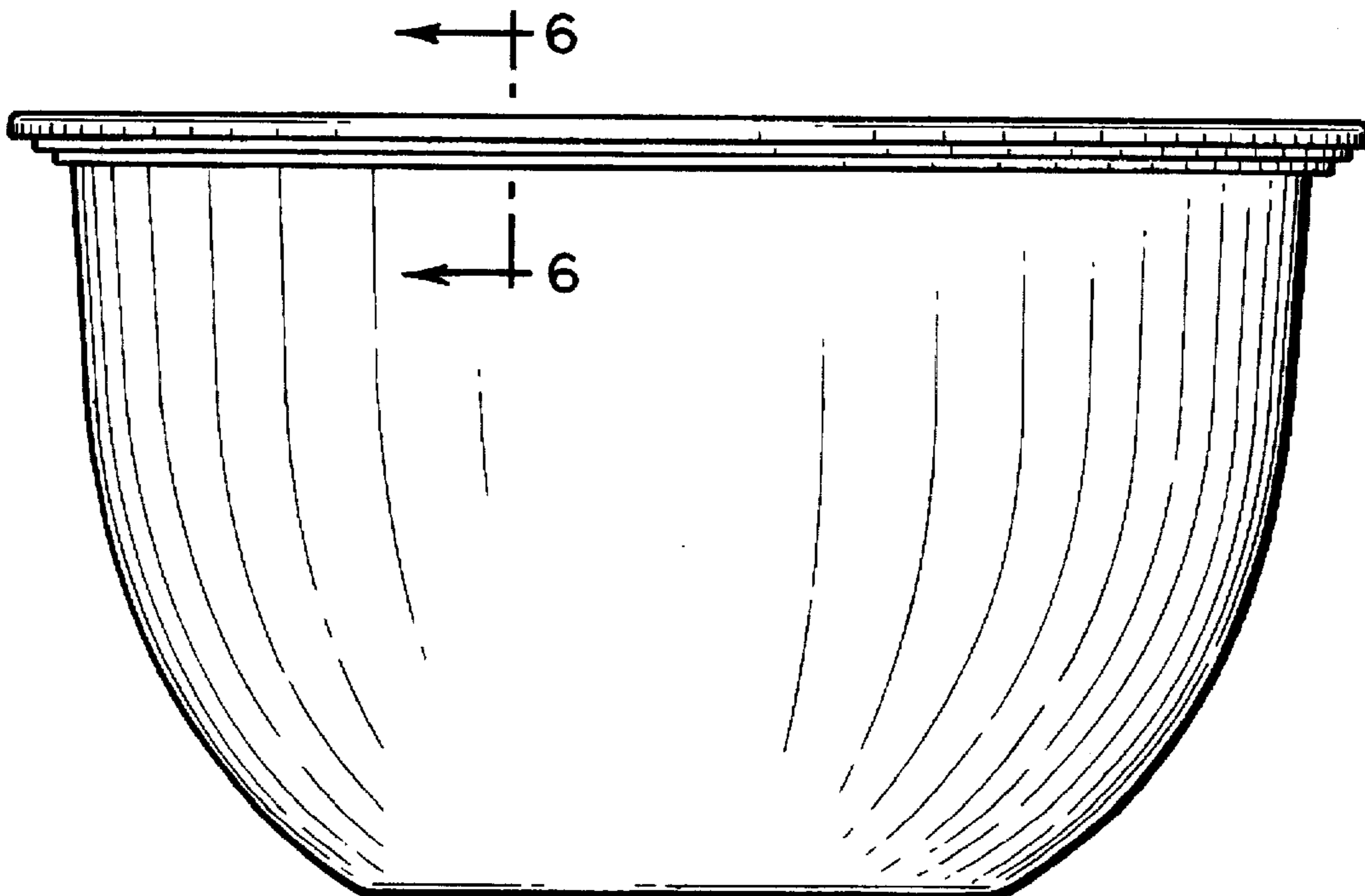
[57] CLAIM

The ornamental design for a bowl, as shown and described.

DESCRIPTION

FIG. 1 is top and side perspective view of a bowl showing our new design;
 FIG. 2 is a top plan view thereof;
 FIG. 3 is a bottom plan view thereof;
 FIG. 4 is a side elevation view thereof, with all sides being the same;
 FIG. 5 is a cross-section view thereof taken on line 5—5 in FIG. 2, with all cross-sectional views being the same; and,
 FIG. 6 is an enlarged fragmentary cross-section taken on line 6—6 in FIG. 4.

1 Claim, 3 Drawing Sheets



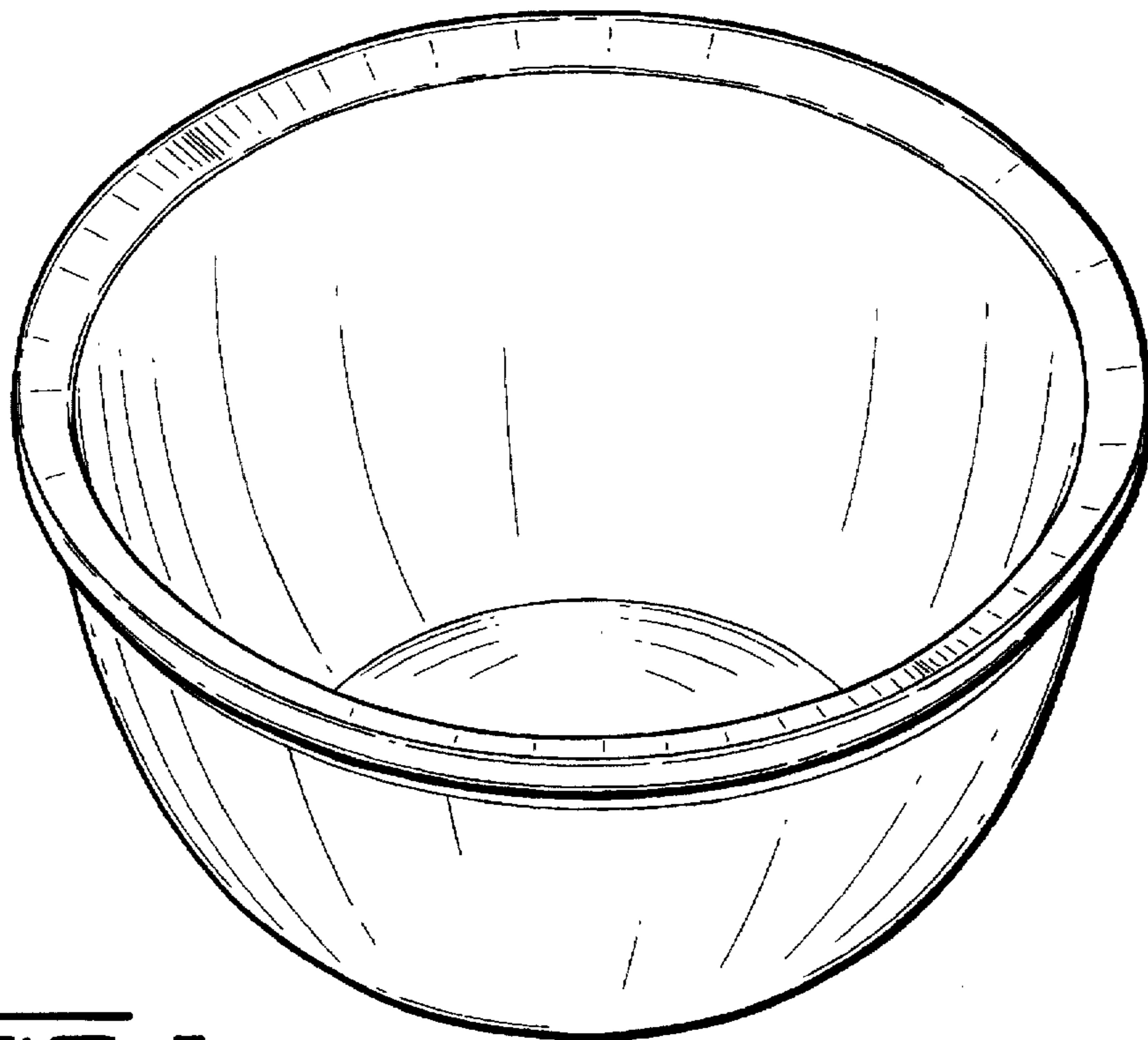


FIG. 1

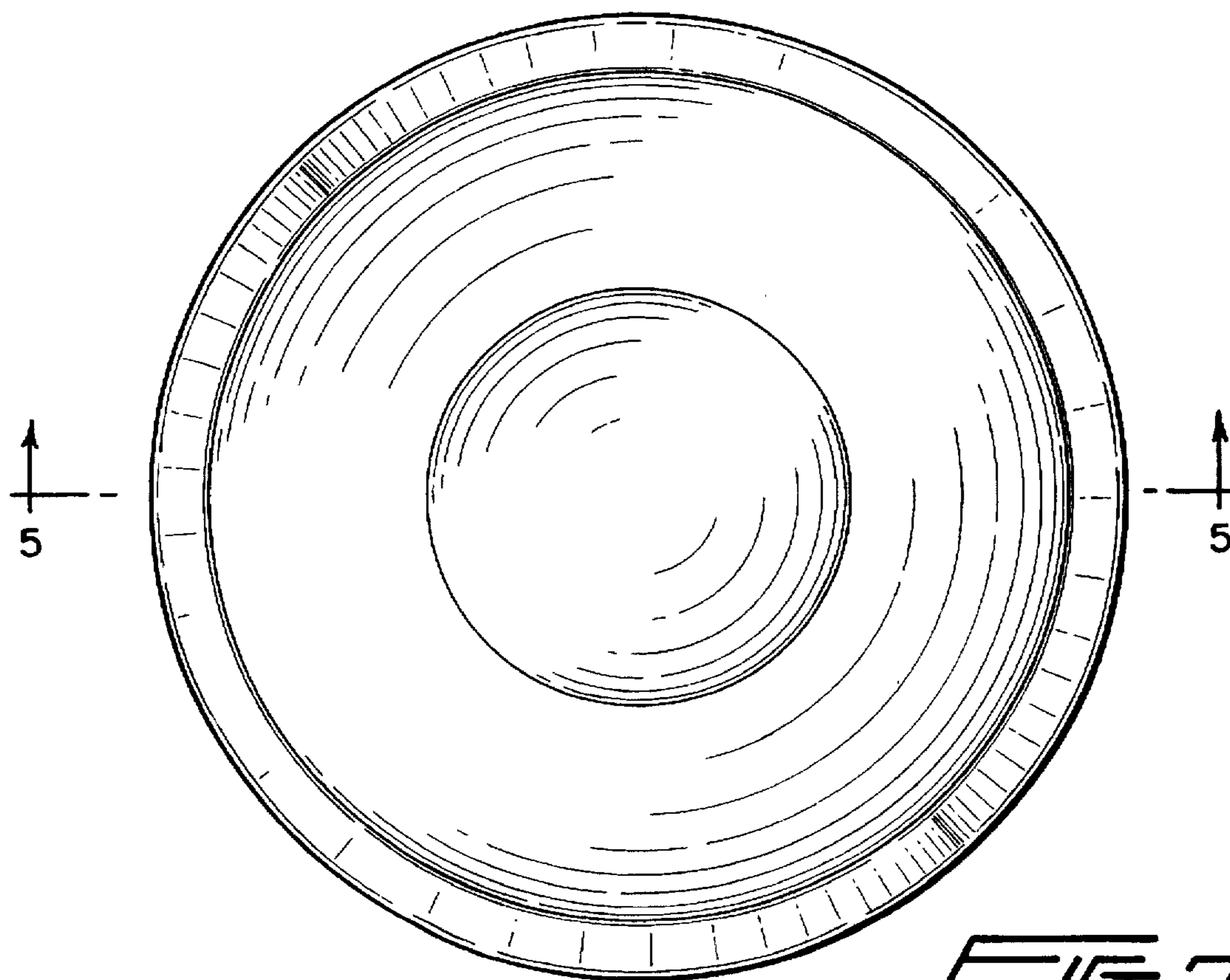


FIG. 2

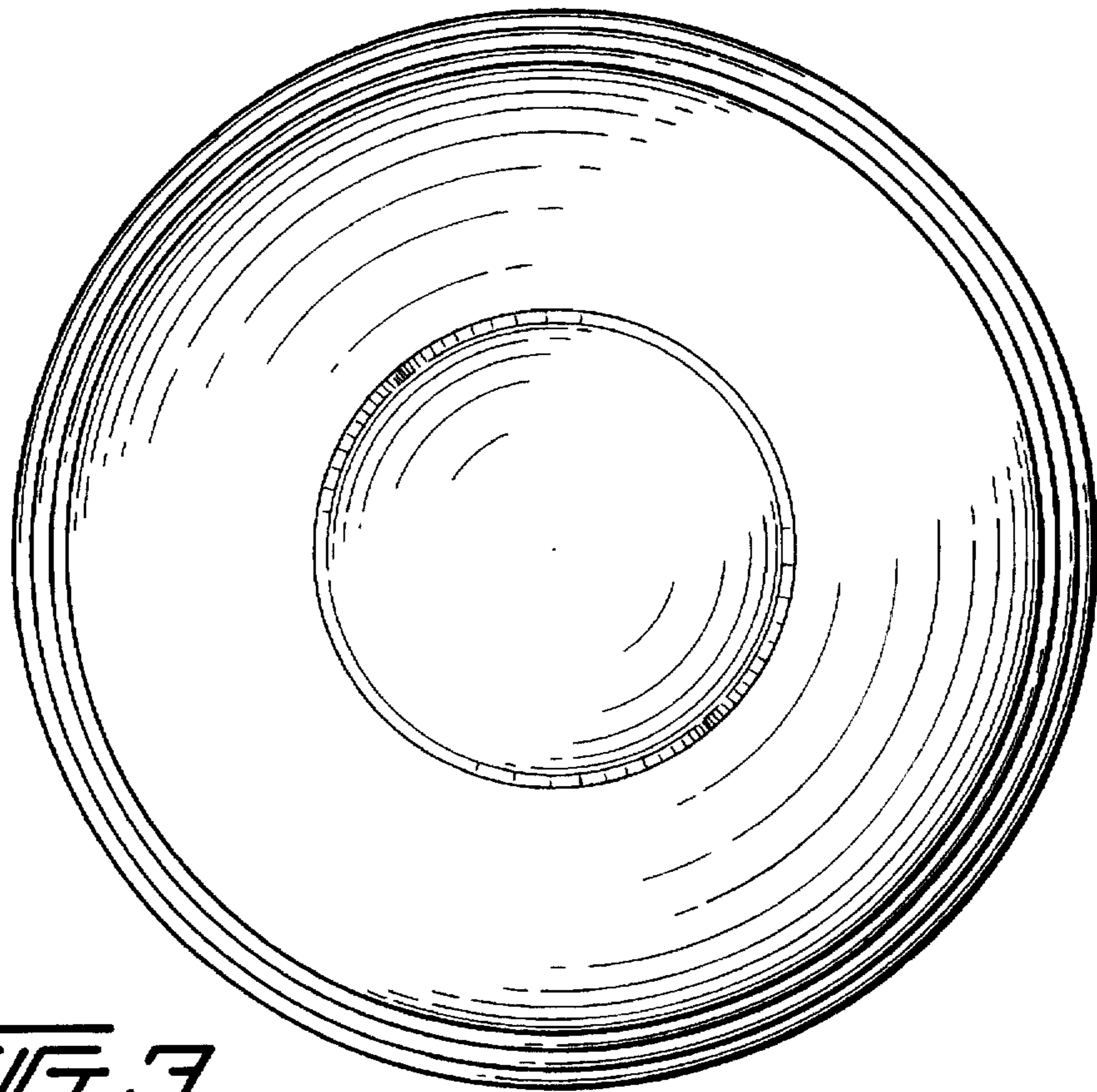


FIG. 3

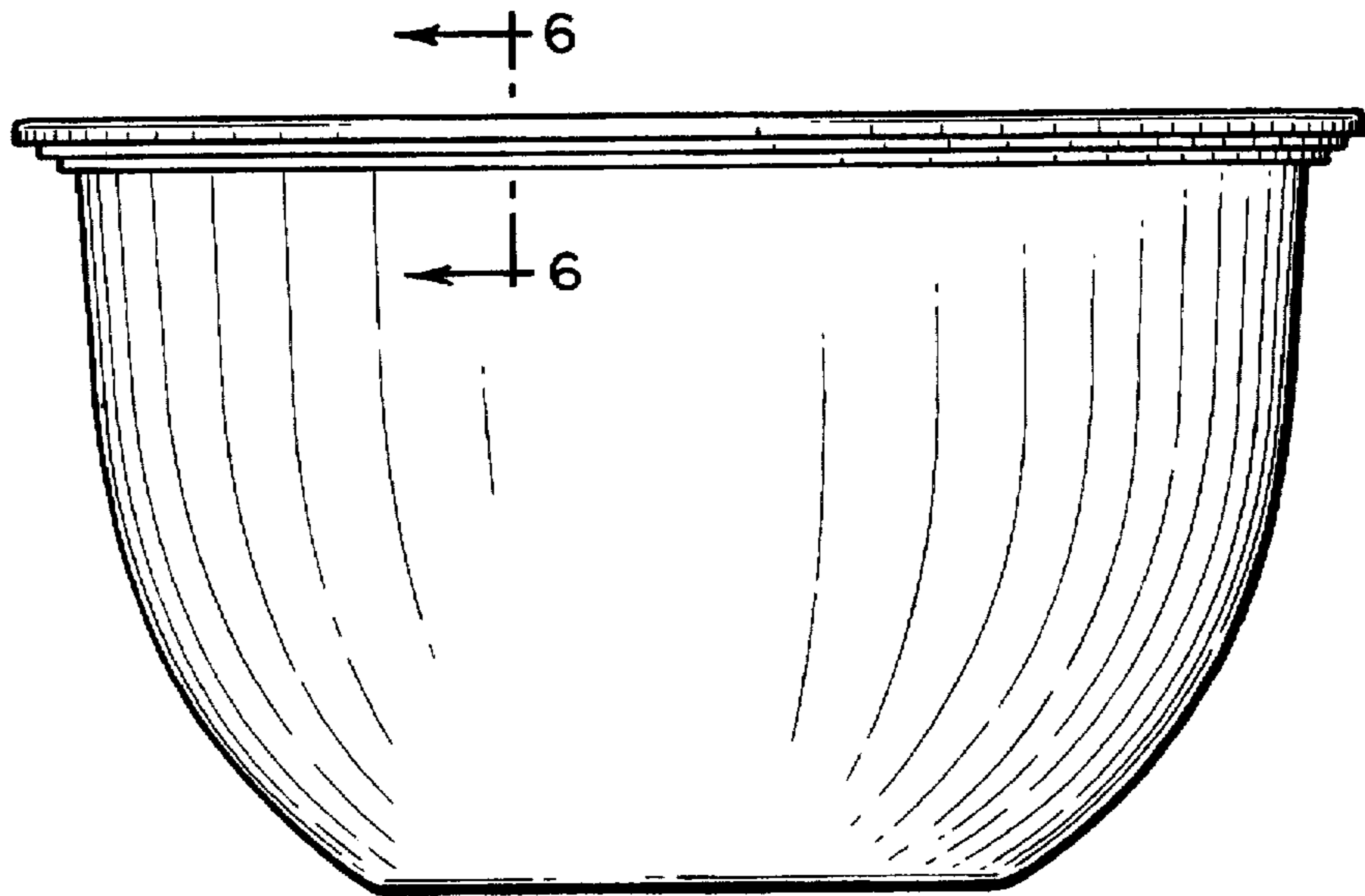


FIG. 4

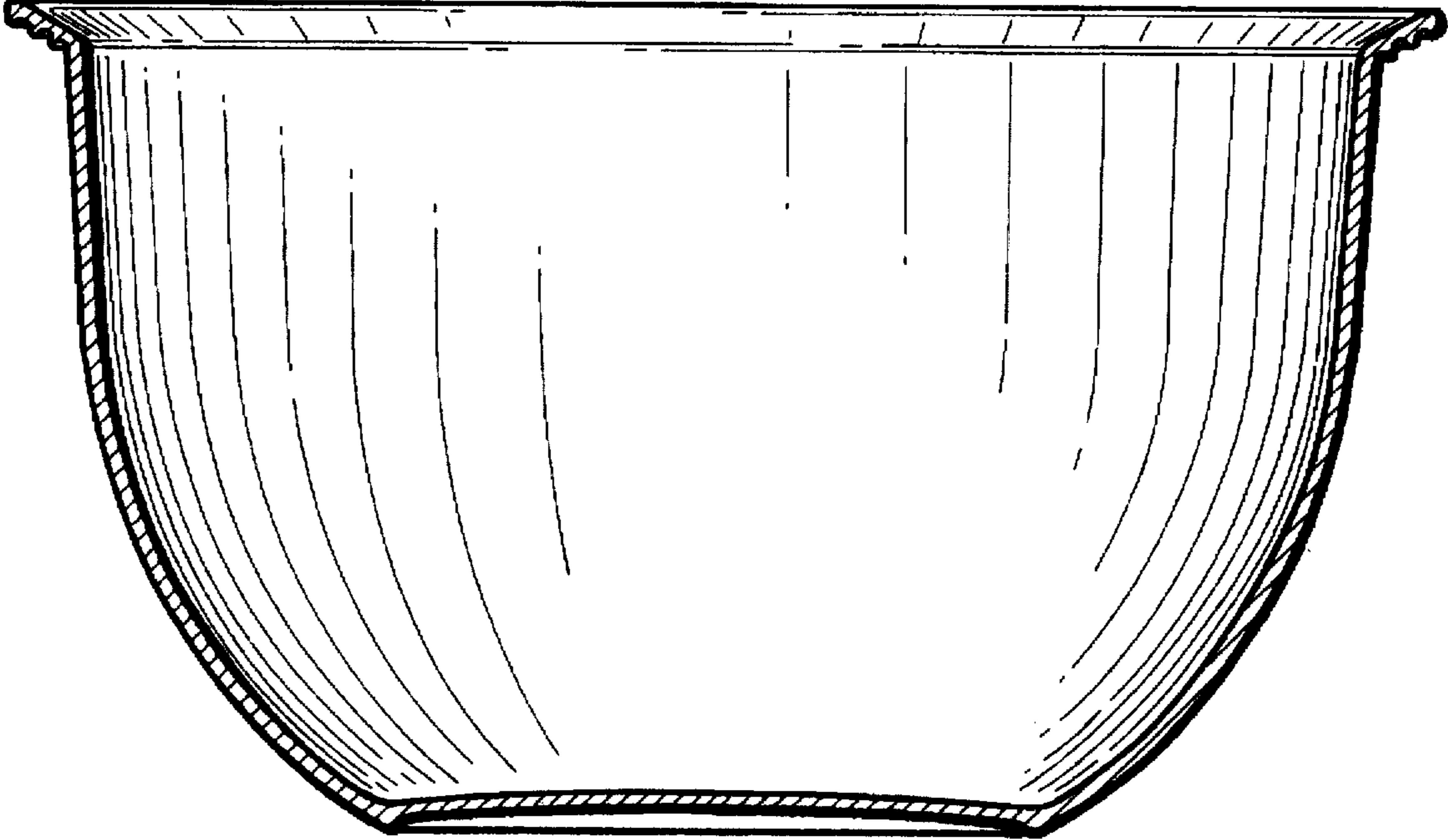


FIG. 5

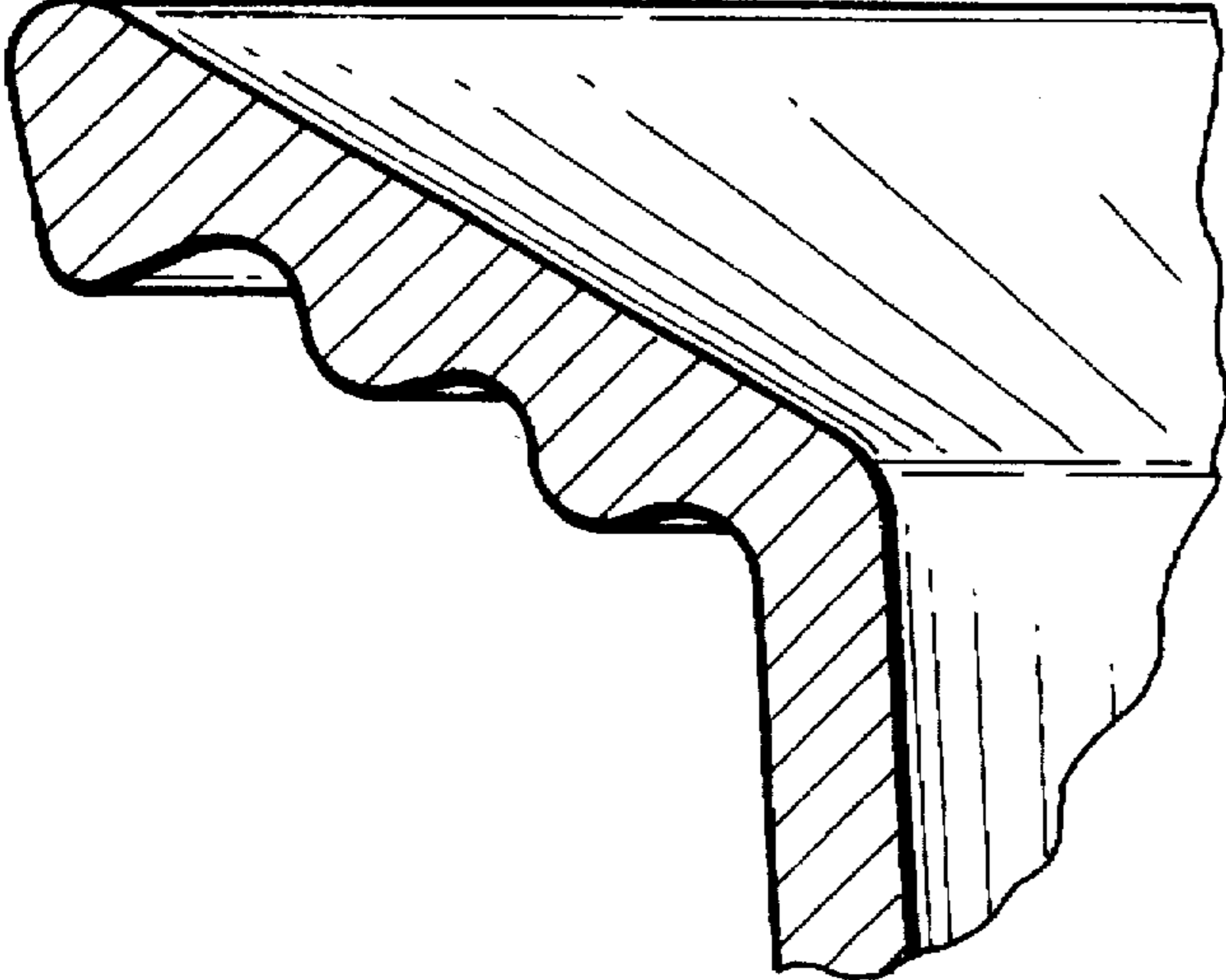


FIG. 6