



US00D383644S

United States Patent [19]
Feil

[11] **Patent Number: Des. 383,644**

[45] **Date of Patent: **Sep. 16, 1997**

[54] **BLENDER CONTAINER**

[75] **Inventor: Rolf Feil, Günzburg, Germany**

[73] **Assignee: Bosch-Siemens Hausgeraete AG,
Munich, Germany**

[**] **Term: 14 Years**

[21] **Appl. No.: 53,525**

[22] **Filed: Jun. 18, 1996**

[51] **LOC (6) Cl. 31-00**

[52] **U.S. Cl. D7/413**

[58] **Field of Search D7/368, 376, 378,
D7/384, 413, 312, 317, 318, 321; 366/129,
130, 197, 199, 204, 205, 314; 241/282.1**

[56] **References Cited**

U.S. PATENT DOCUMENTS

D. 209,493 12/1967 Le Sueur et al. D7/378

OTHER PUBLICATIONS

Supplement to Retailing Home Furnishing Dealer; Oct. 24, 1977; La Machine by Moulinex; Blender Container p. 4.

Primary Examiner—Caron D. Veynar
Attorney, Agent, or Firm—Herbert L. Lerner; Laurence A. Greenberg

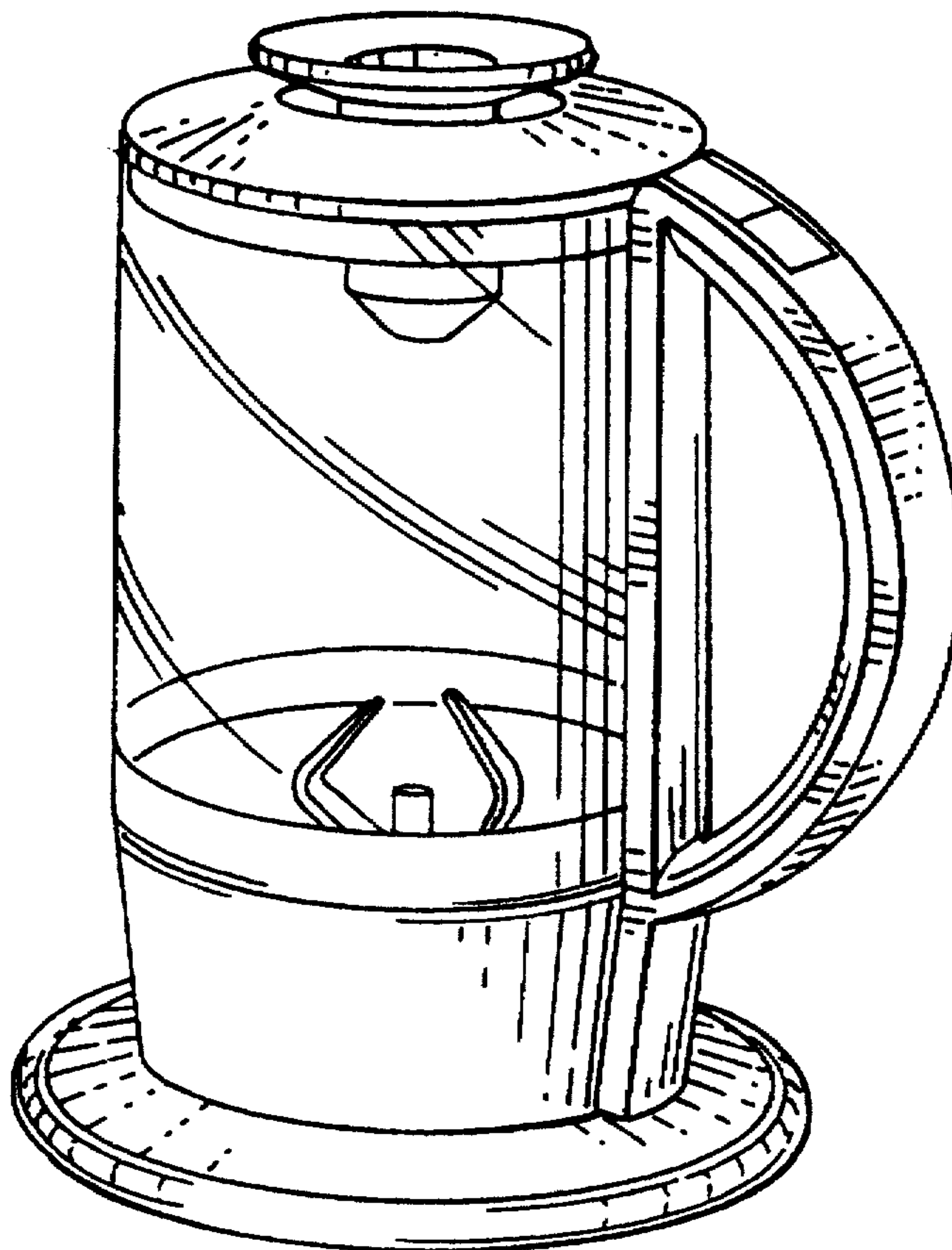
[57] **CLAIM**

The ornamental design for a blender container, as shown and described.

DESCRIPTION

FIG. 1 is a front, top and right-side perspective view of a blender container according to the invention; FIG. 2 is a rear-elevational view thereof; FIG. 3 is a right-side elevational view thereof; FIG. 4 is a left-side elevational view thereof; FIG. 5 is a top-plan view thereof; and, FIG. 6 is a bottom-plan view thereof.

1 Claim, 3 Drawing Sheets



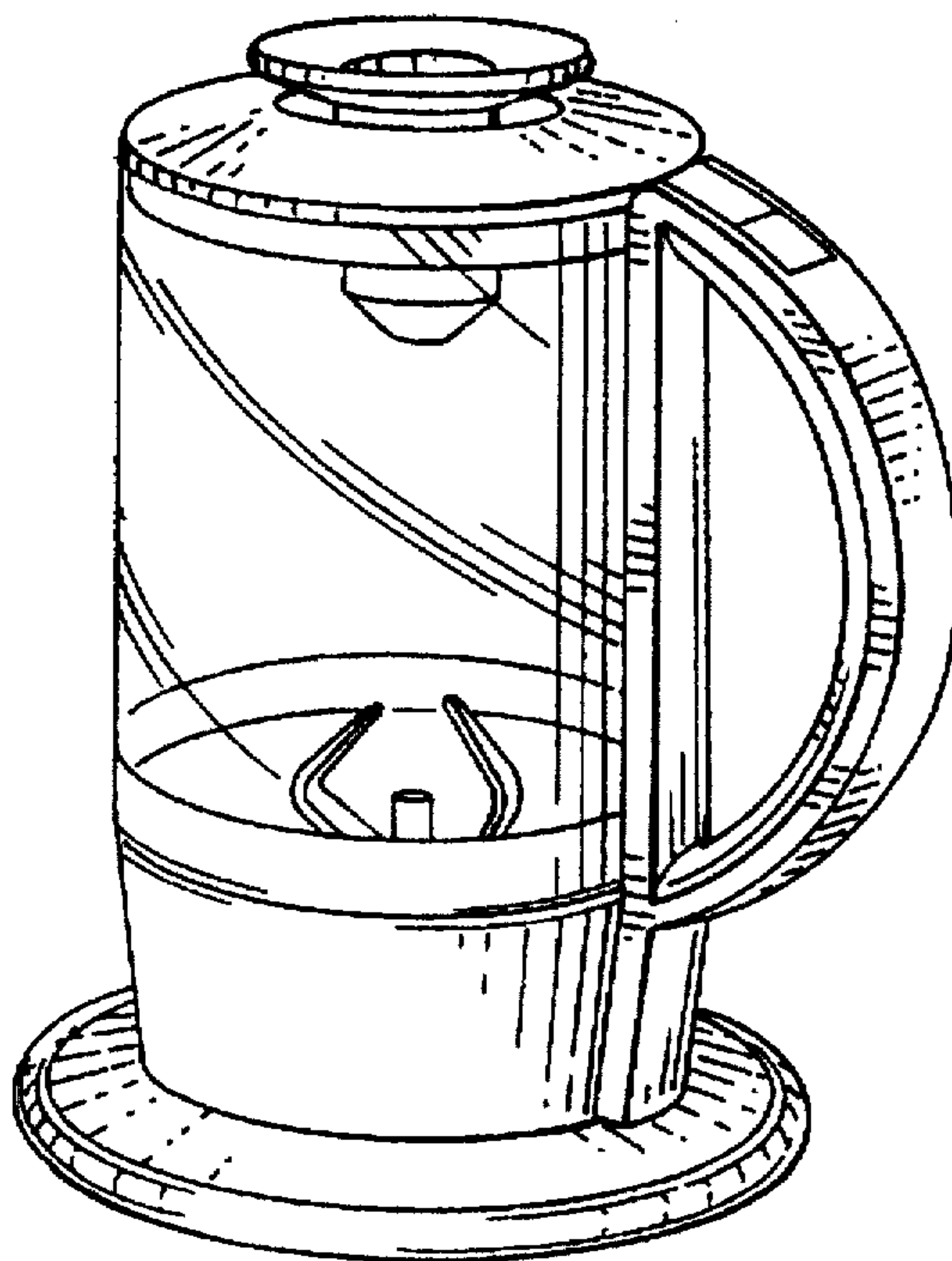


Fig. 1

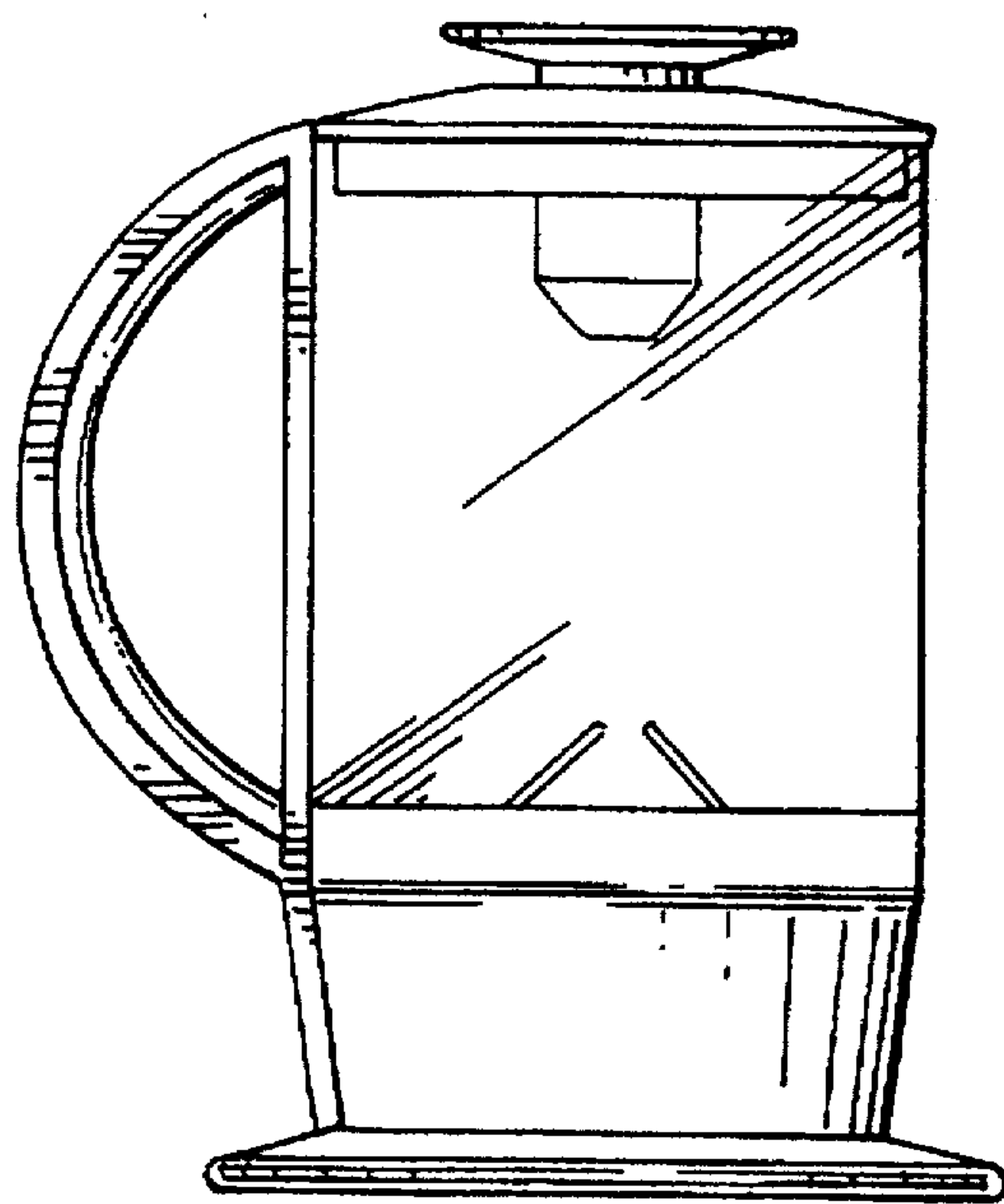


Fig. 2

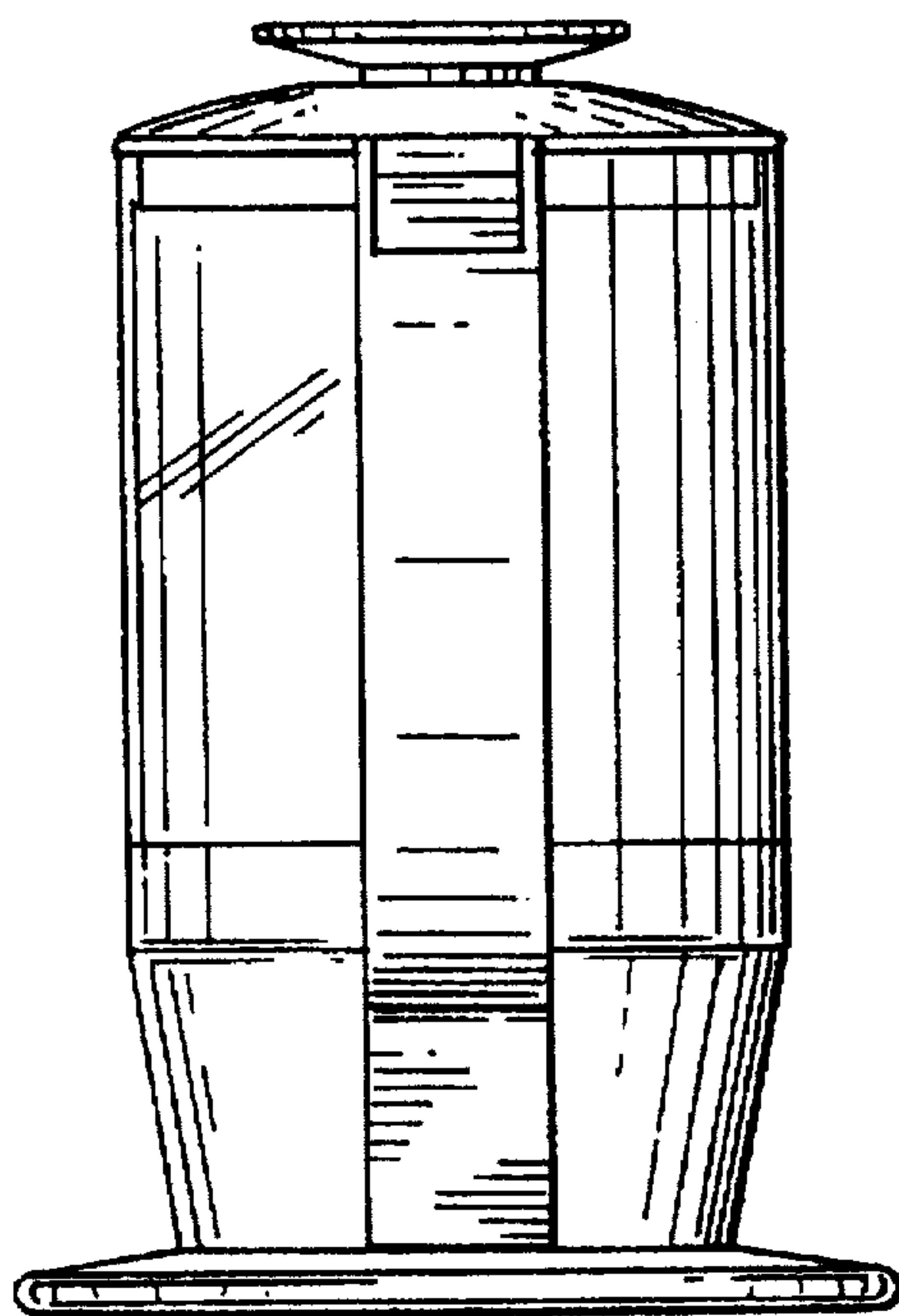


Fig. 3

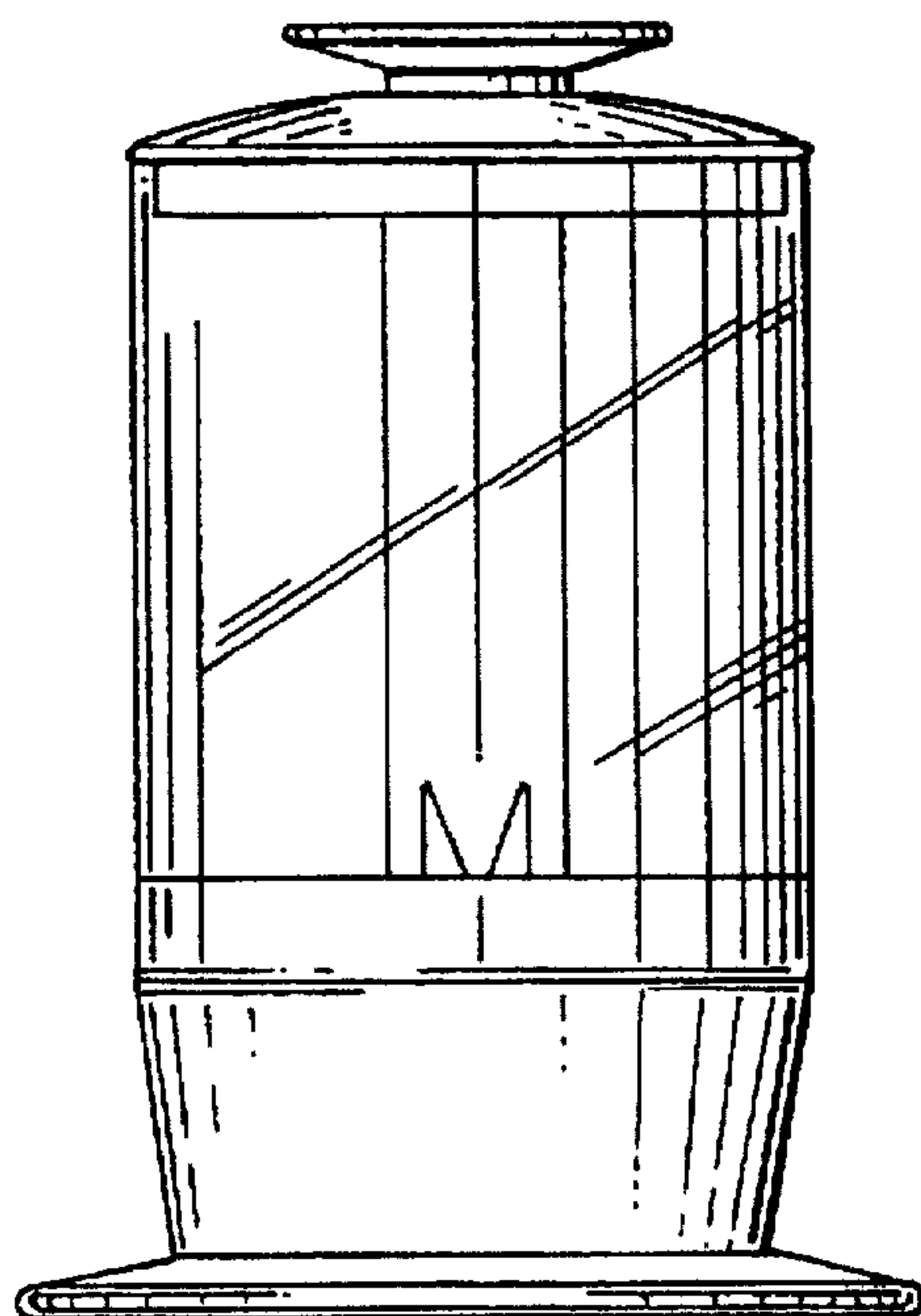


Fig. 4

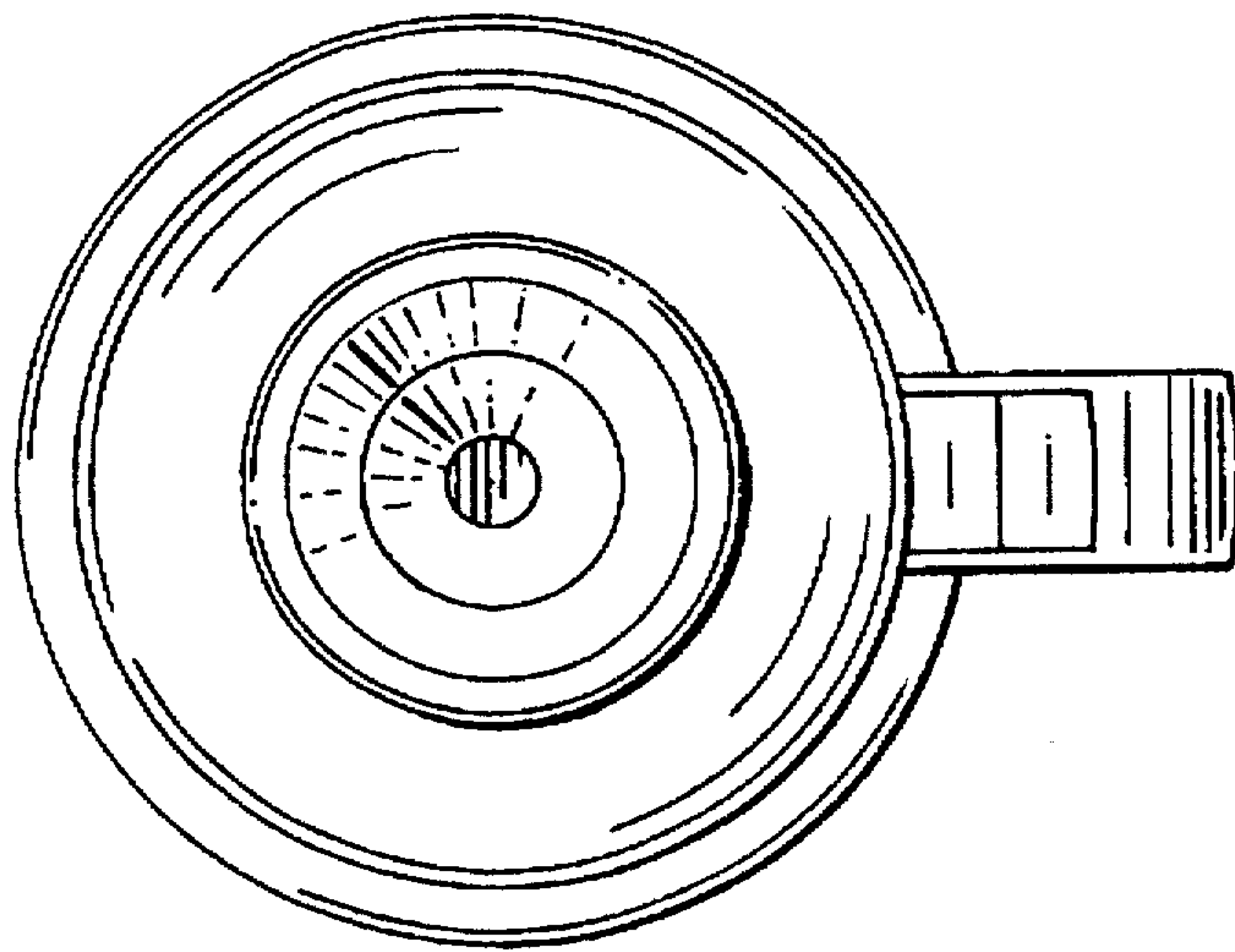


Fig. 5

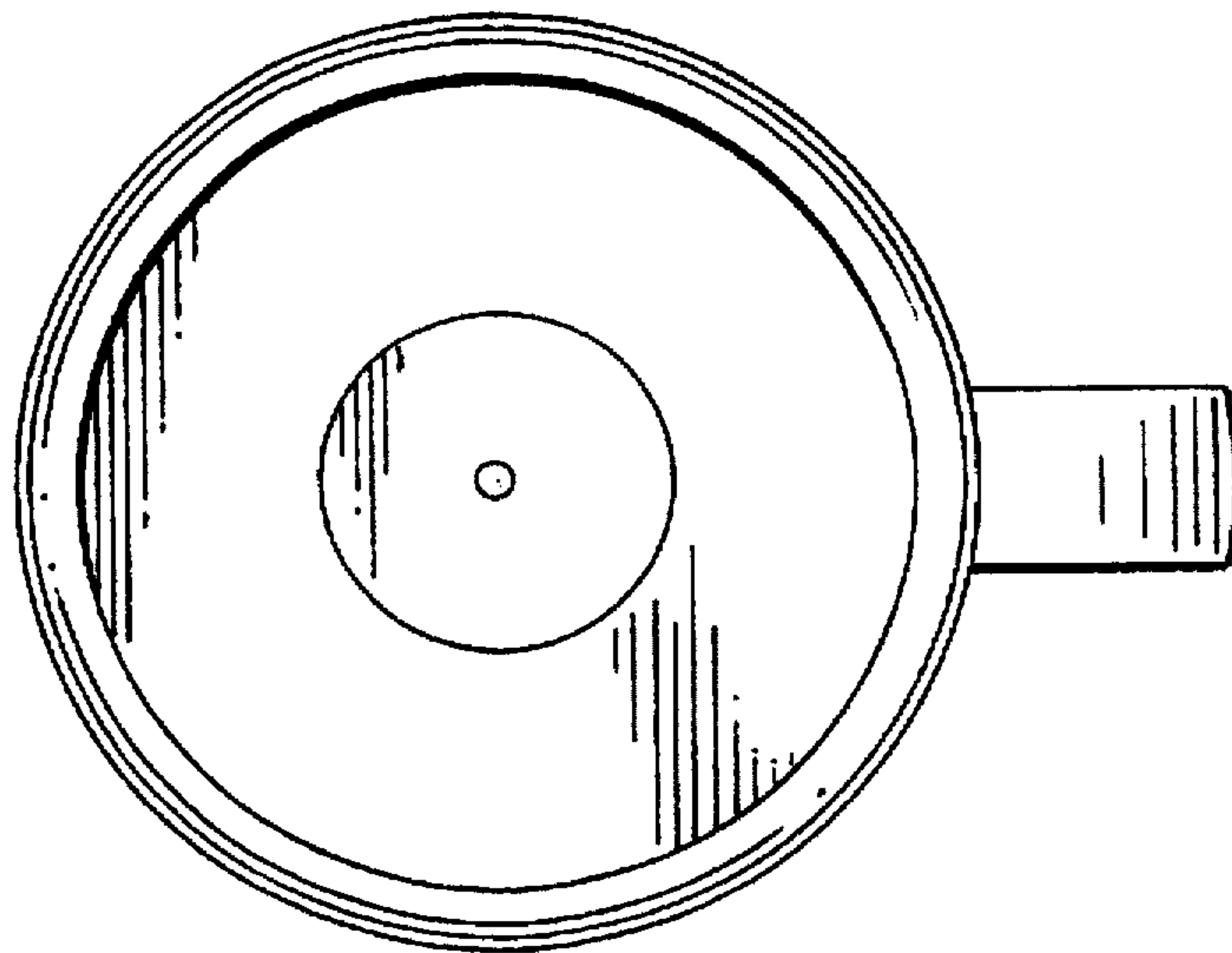


Fig. 6