



US00D383642S

# United States Patent [19]

[11] Patent Number: Des. 383,642

Feil

[45] Date of Patent: \*\*Sep. 16, 1997

[54] ELECTROMOTIVE KITCHEN APPLIANCE

D. 306,389 3/1990 Nasui et al. .... D7/386 X  
D. 339,715 9/1993 Barrault ..... D7/378

[75] Inventor: Rolf Feil, Günzburg, Germany

Primary Examiner—Caron D. Veynar

[73] Assignee: Bosch-Siemens Hausgeraete GmbH,  
Munich, Germany

Attorney, Agent, or Firm—Herbert L. Lerner; Laurence A. Greenberg

[\*\*] Term: 14 Years

### [57] CLAIM

[21] Appl. No.: 53,528

The ornamental design for a electromotive kitchen appliance, as shown and described.

[22] Filed: Apr. 22, 1996

### DESCRIPTION

[51] LOC (6) Cl. .... 31-00

[52] U.S. Cl. .... D7/376; D7/384

[58] Field of Search ..... D7/376, 378, 384,  
D7/386, 412, 413; 366/129, 130, 197, 199,  
204, 205, 314; 241/282.1

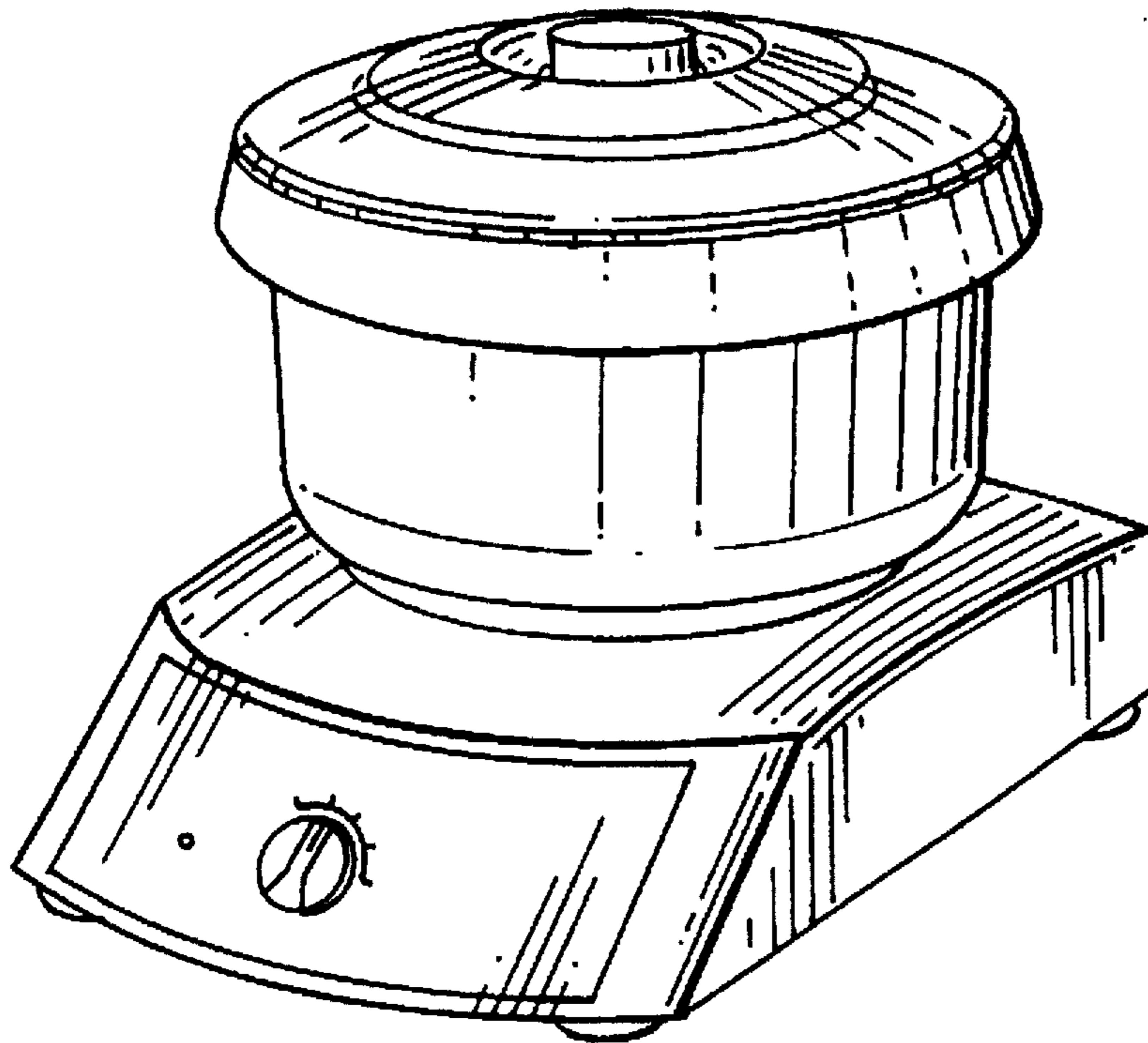
FIG. 1 is a top, front and right-side perspective view of an electromotive kitchen appliance according to the invention; FIG. 2 is a right side view, the left side view being a mirror image except for the addition of the small circular detail shown on the control panel in FIG. 1; FIG. 3 is a front view thereof; FIG. 4 is a rear view thereof; FIG. 5 is a top-plan view thereof; and, FIG. 6 is a bottom-plan view thereof.

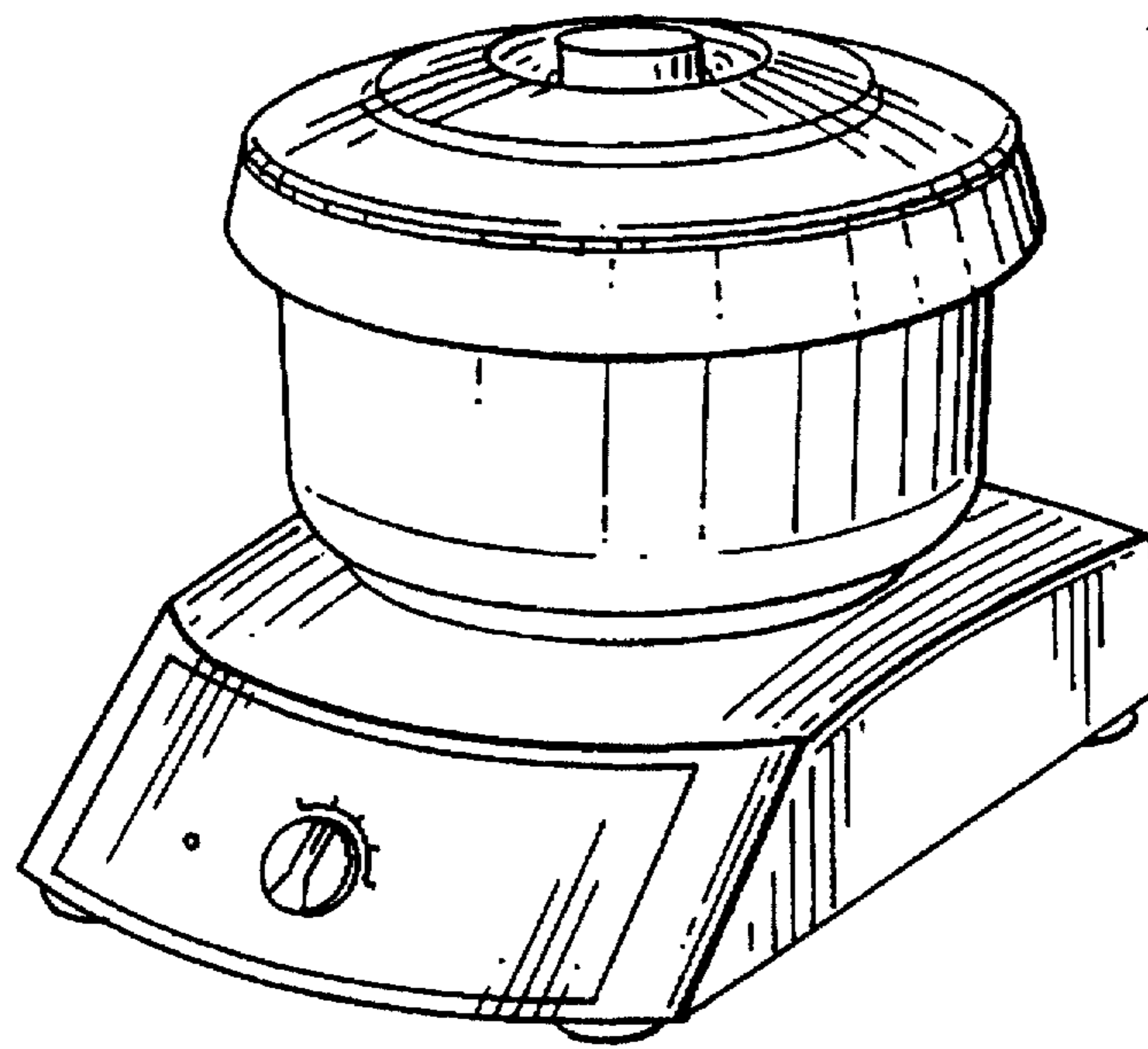
### [56] References Cited

#### U.S. PATENT DOCUMENTS

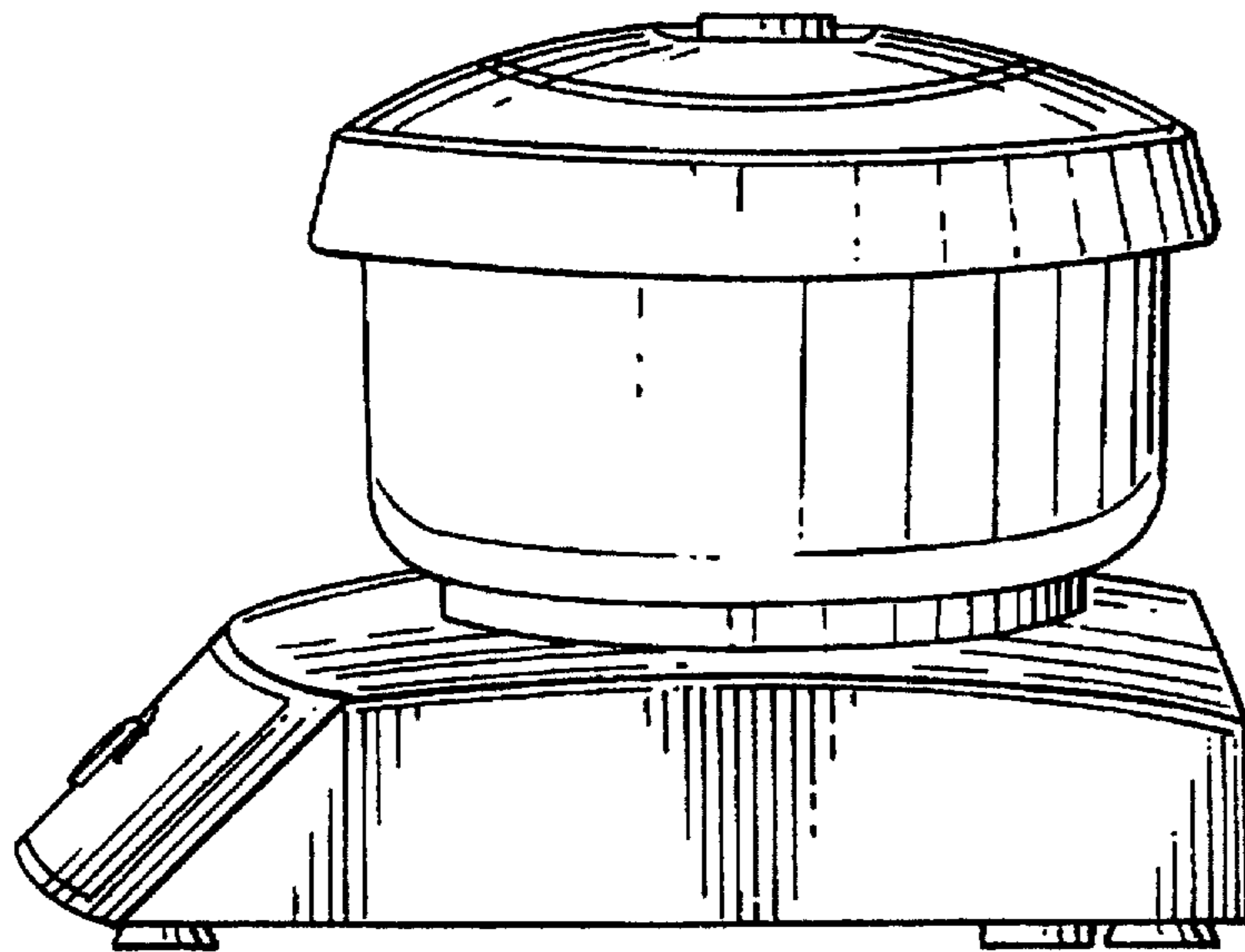
D. 216,237 12/1969 Levin ..... D7/378 X  
D. 259,133 5/1981 Klawitter ..... D7/378 X

1 Claim, 3 Drawing Sheets

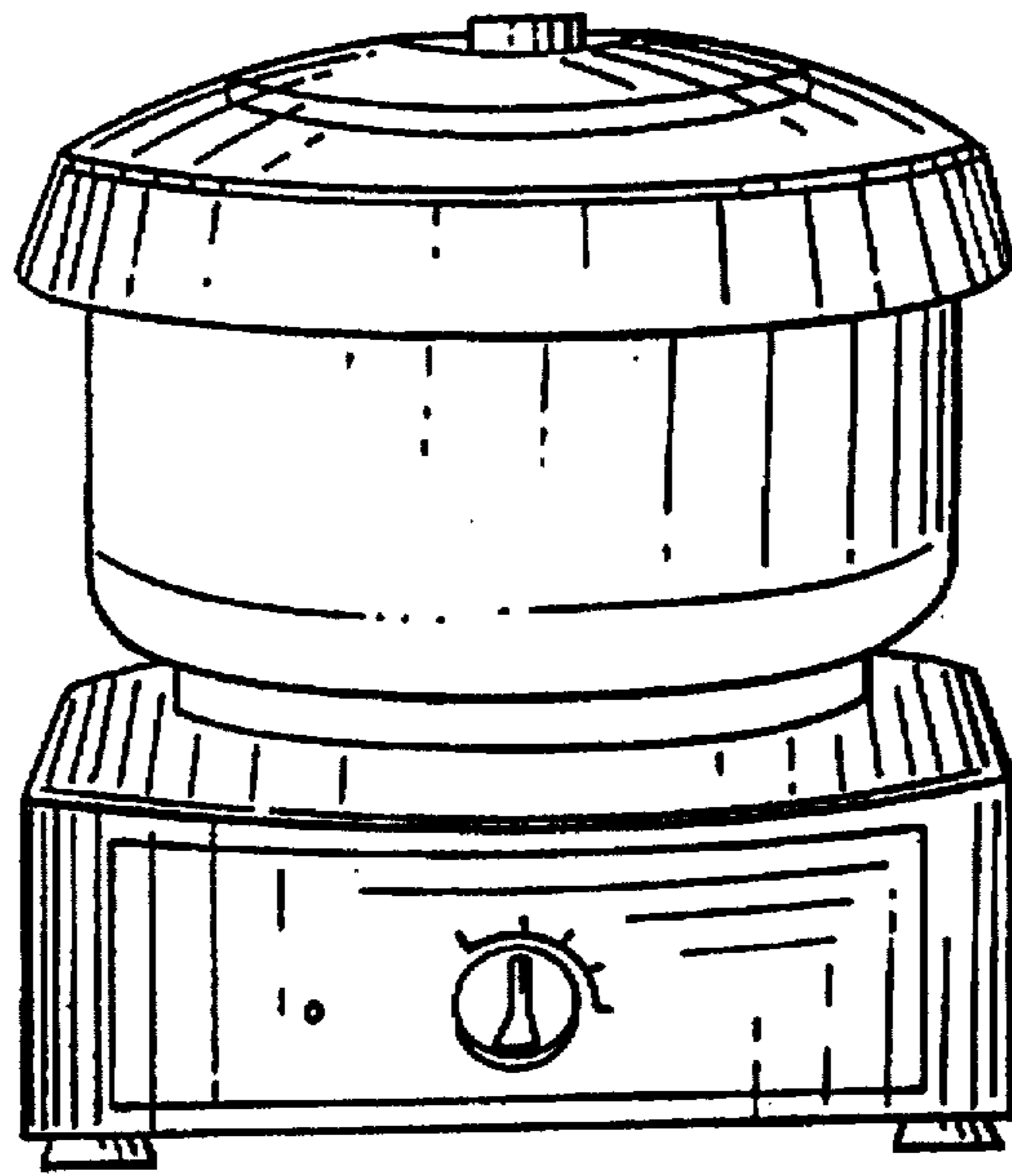




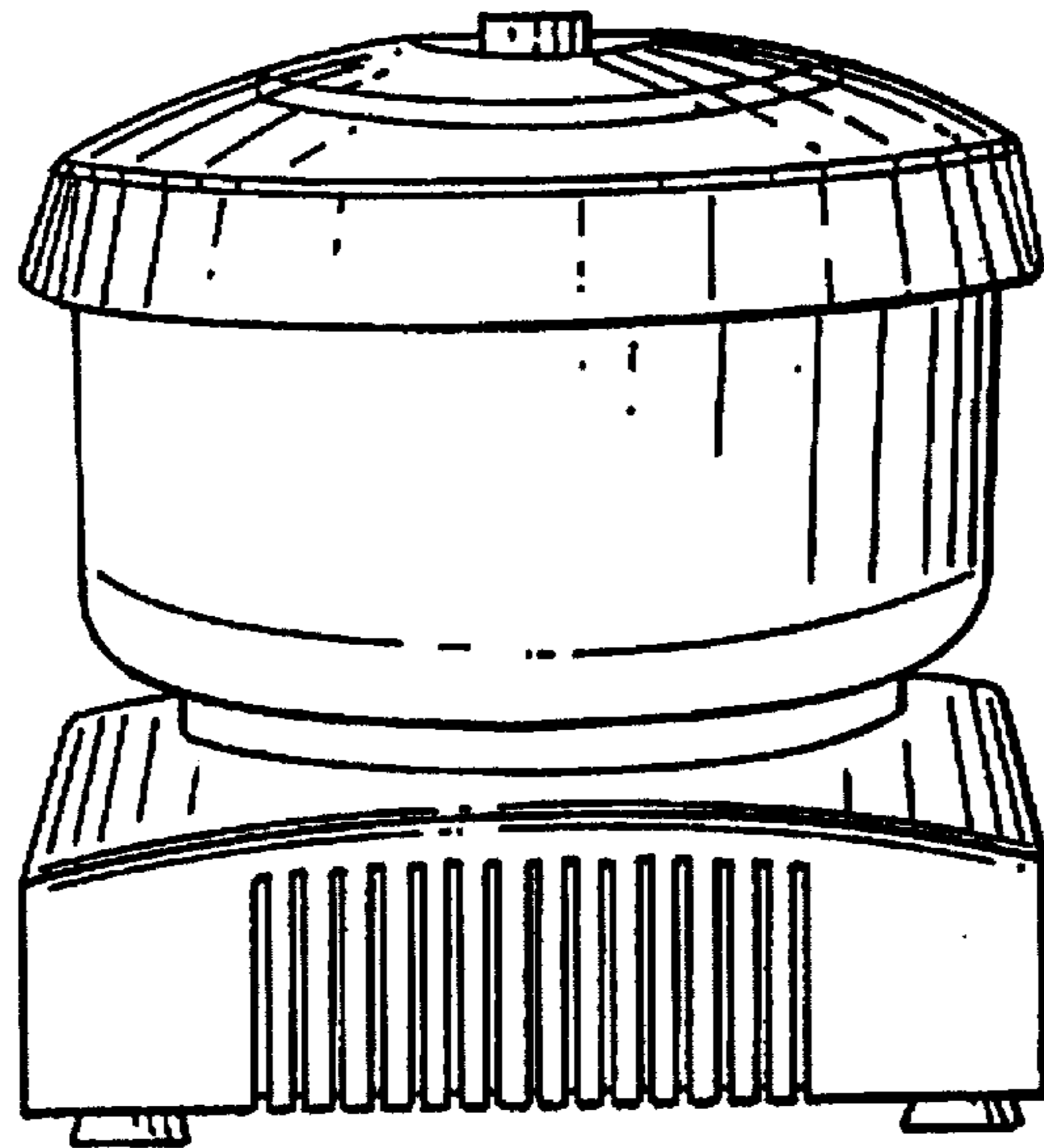
*Fig. 1*



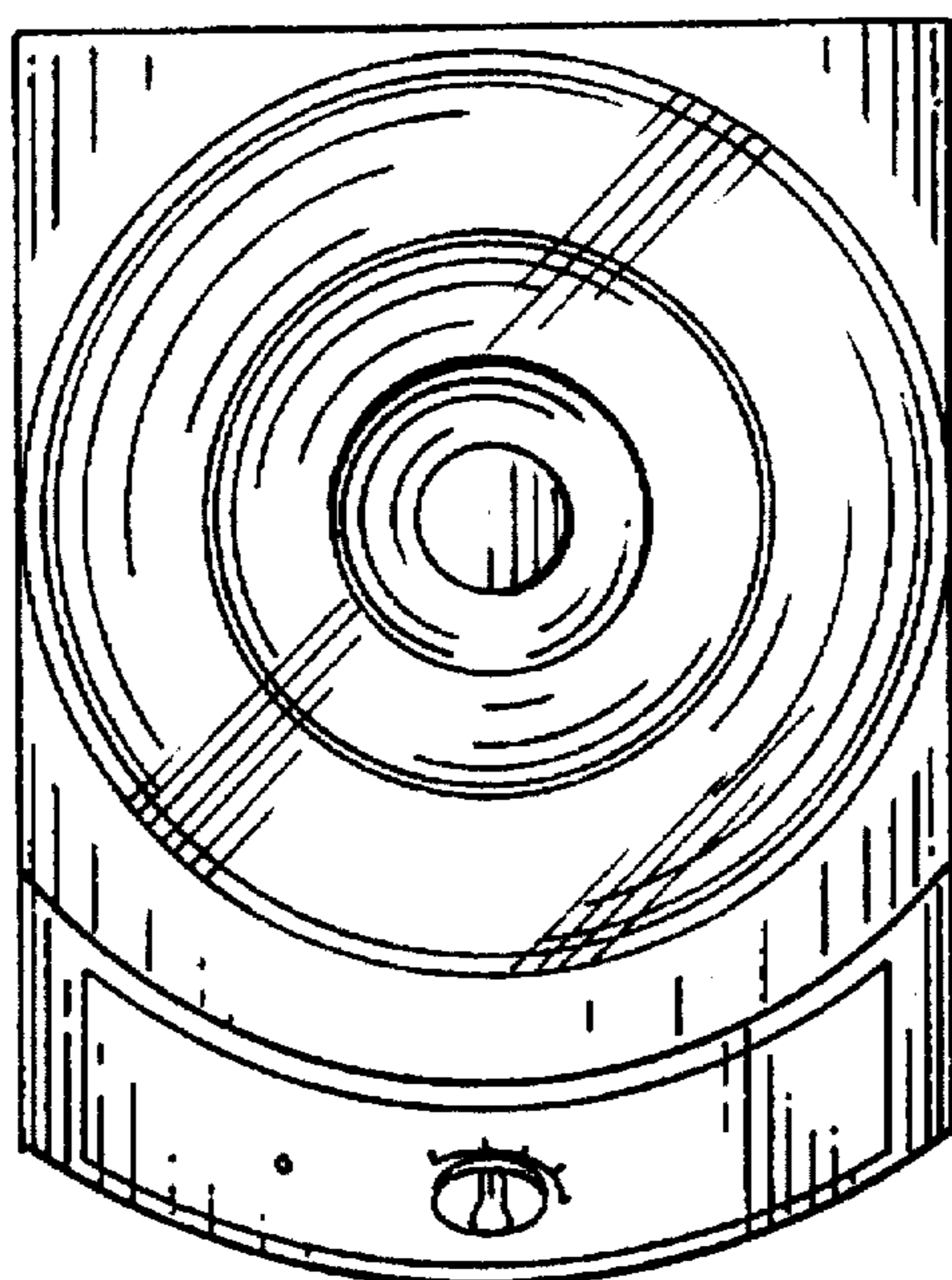
*Fig. 2*



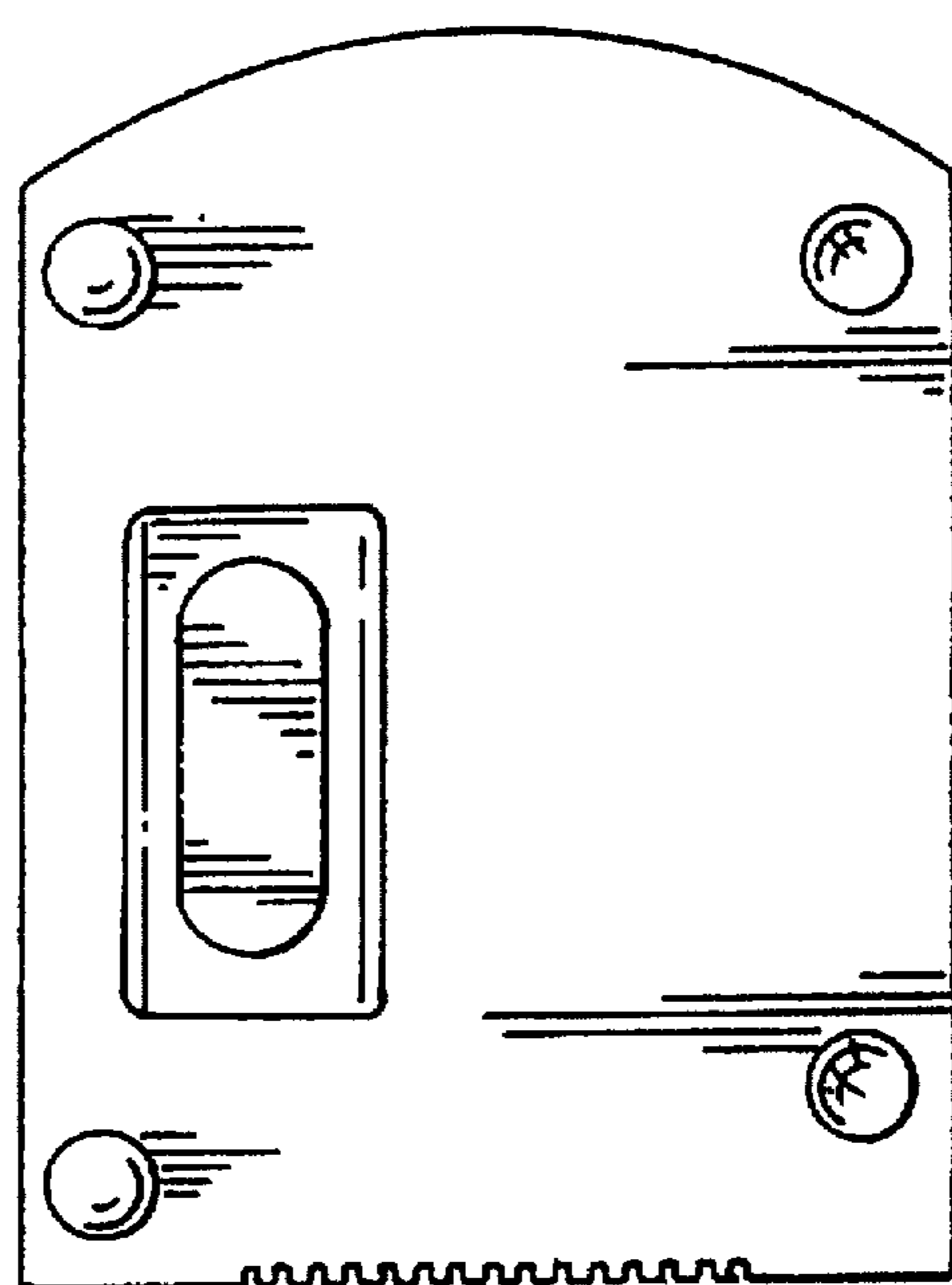
*Fig. 3*



*Fig. 4*



*Fig. 5*



*Fig. 6*