

US00D383641S

# United States Patent [19]

Maton

[11] Patent Number: Des. 383,641

[45] Date of Patent: \*\*Sep. 16, 1997

[54] BARBECUE STEAMER

[76] Inventor: Carl Maton, 1709 Heritage Cir.,  
Anaheim, Calif. 92804

[\*\*] Term: 14 Years

[21] Appl. No.: 56,707

[22] Filed: Jul. 8, 1996

[51] LOC (6) Cl. .... 07-02

[52] U.S. Cl. .... D7/354; D3/294; D3/905

[58] Field of Search ..... D7/337, 354, 356,  
D7/360, 409; D3/273, 292, 905, 294, 295;  
D9/341; D11/156; D18/4; D99/28; 62/384,  
440; 126/20; 269/17, 286; 206/8, 1.8, 538,  
561, 527; 99/421.4, 340; 220/4.32, 9.1,  
756, 912

[56] **References Cited**

**U.S. PATENT DOCUMENTS**

D. 131,350	2/1942	Howard	.....	D7/360
D. 205,641	8/1966	Roth	.....	D99/28
D. 234,704	4/1975	Frantz et al.	.....	D99/28
D. 242,083	10/1976	Jean	.....	D3/905 X
D. 340,614	10/1993	Kaeding	.....	D7/354 X

D. 348,852	7/1994	Meyer	.....	D11/156
3,395,691	8/1968	Skarsten	.....	126/20
3,499,525	3/1970	Kanter	.....	D9/341 X
4,637,303	1/1987	Lucky	.....	D7/409 X

Primary Examiner—Caron D. Veynar  
Attorney, Agent, or Firm—Walter A. Hackler

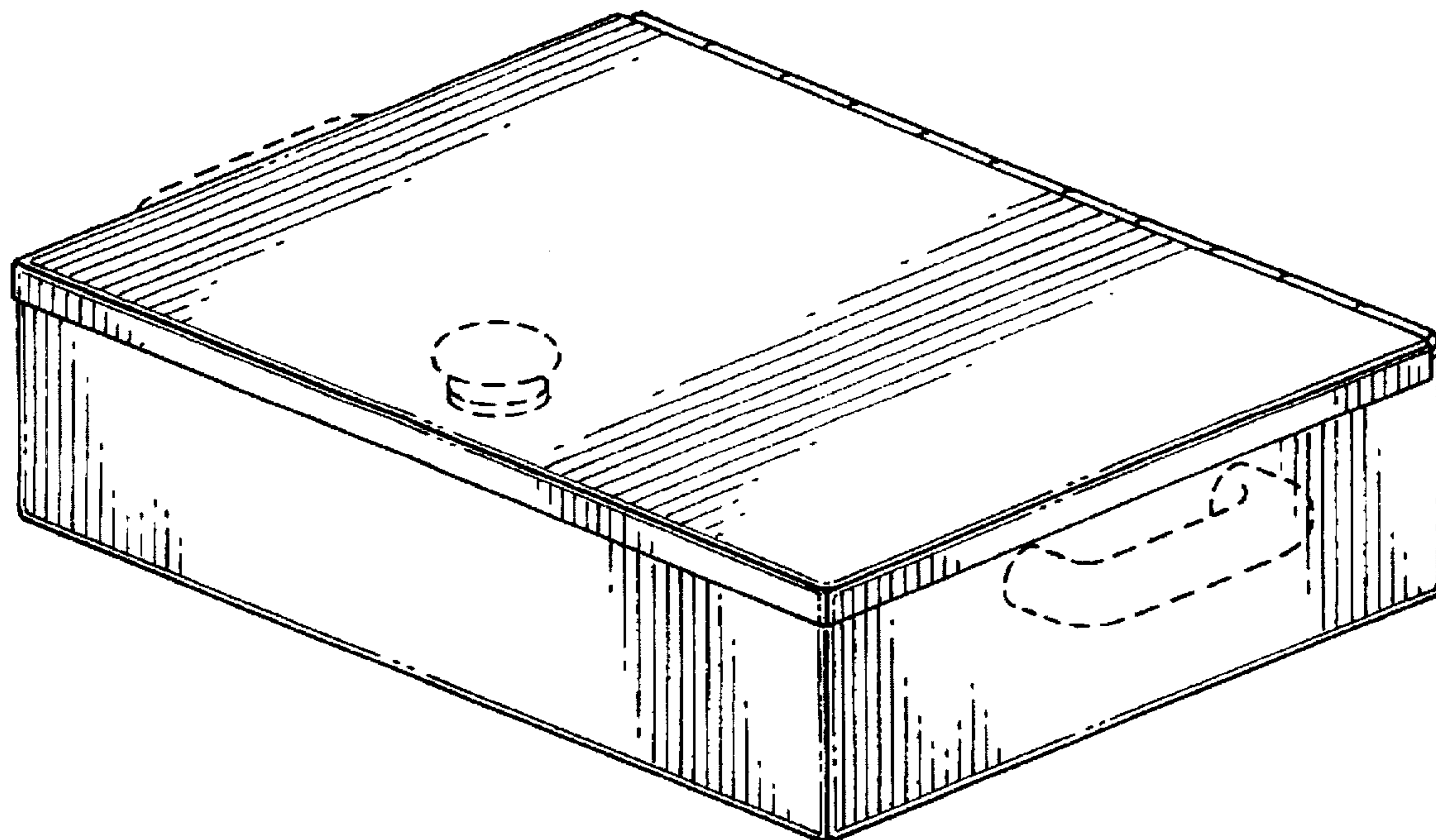
[57] **CLAIM**

The ornamental design for barbecue steamer, as shown and described.

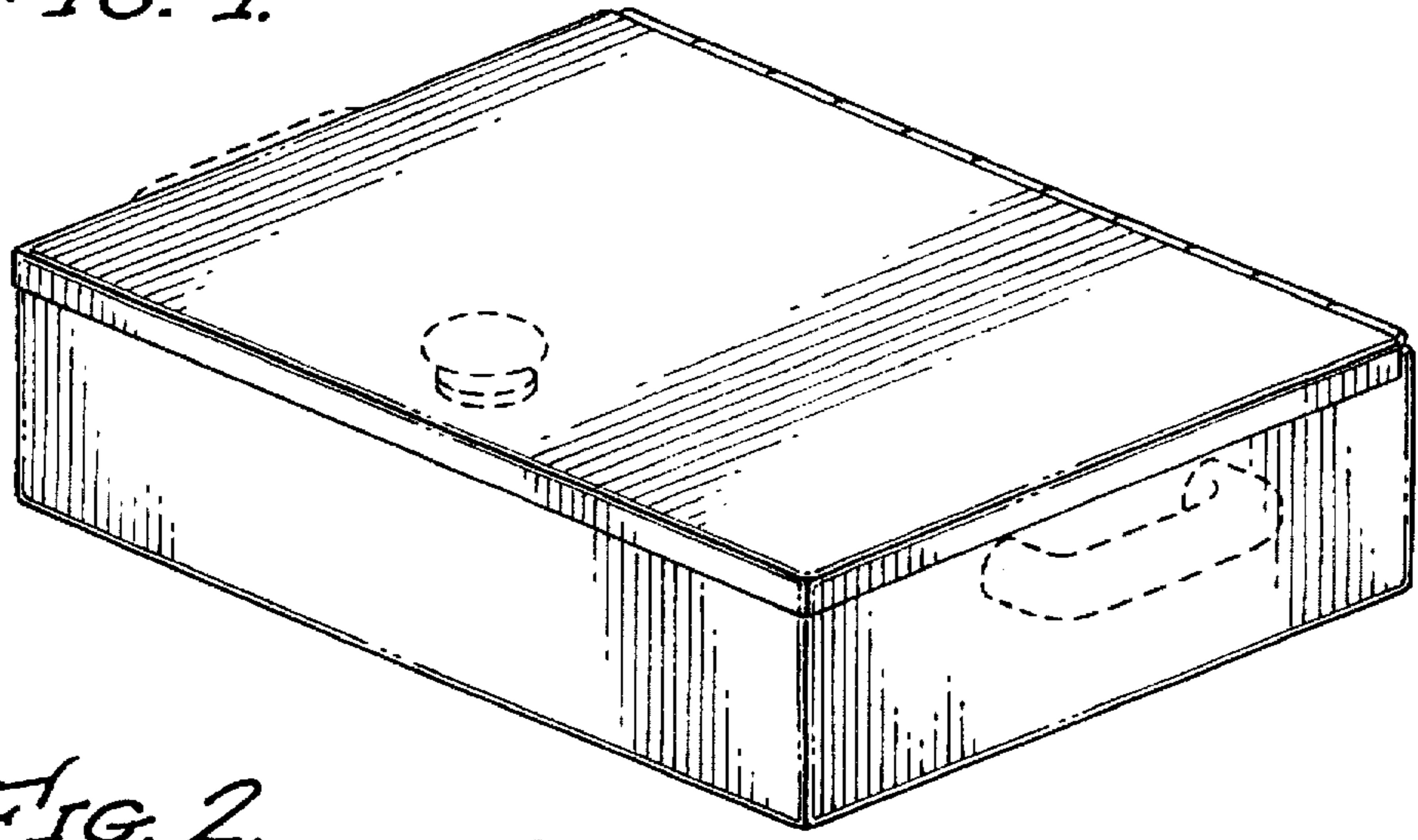
**DESCRIPTION**

FIG. 1 is a perspective view of the present invention;  
FIG. 2 is a front plan view of the present invention;  
FIG. 3 is a side view, the opposite side view being a mirror image thereof;  
FIG. 4 is a bottom view of the present invention;  
FIG. 5 is a perspective view of the present invention with the top open; and,  
FIG. 6 is a top view of the present invention with the top open.  
The broken line showing of handles on FIGS. 1-6 are for illustrative purposes only and form no part of the claimed design.

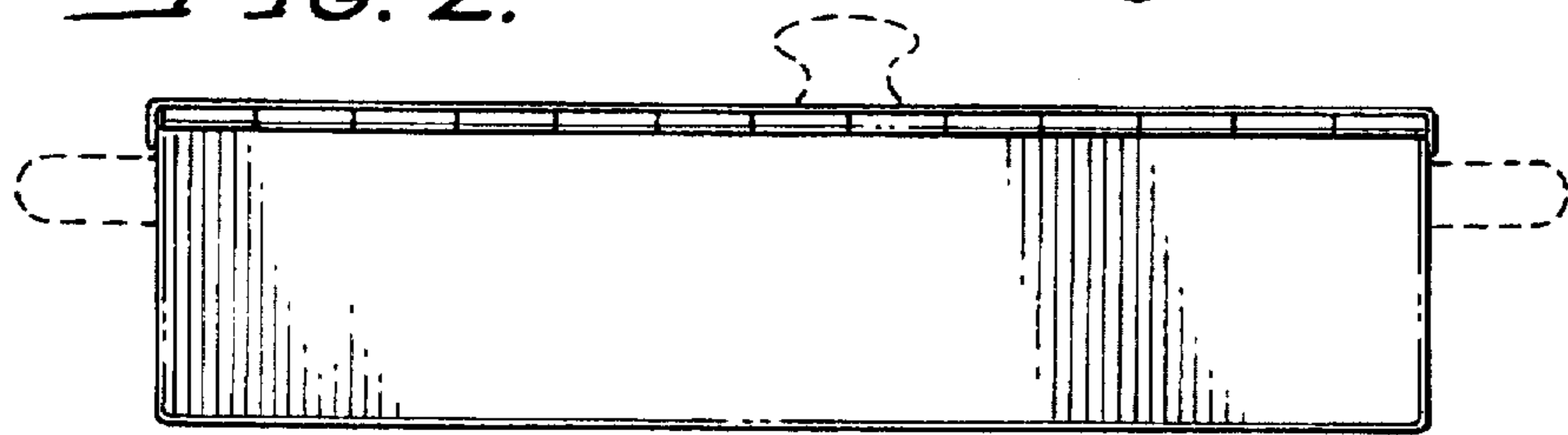
1 Claim, 2 Drawing Sheets



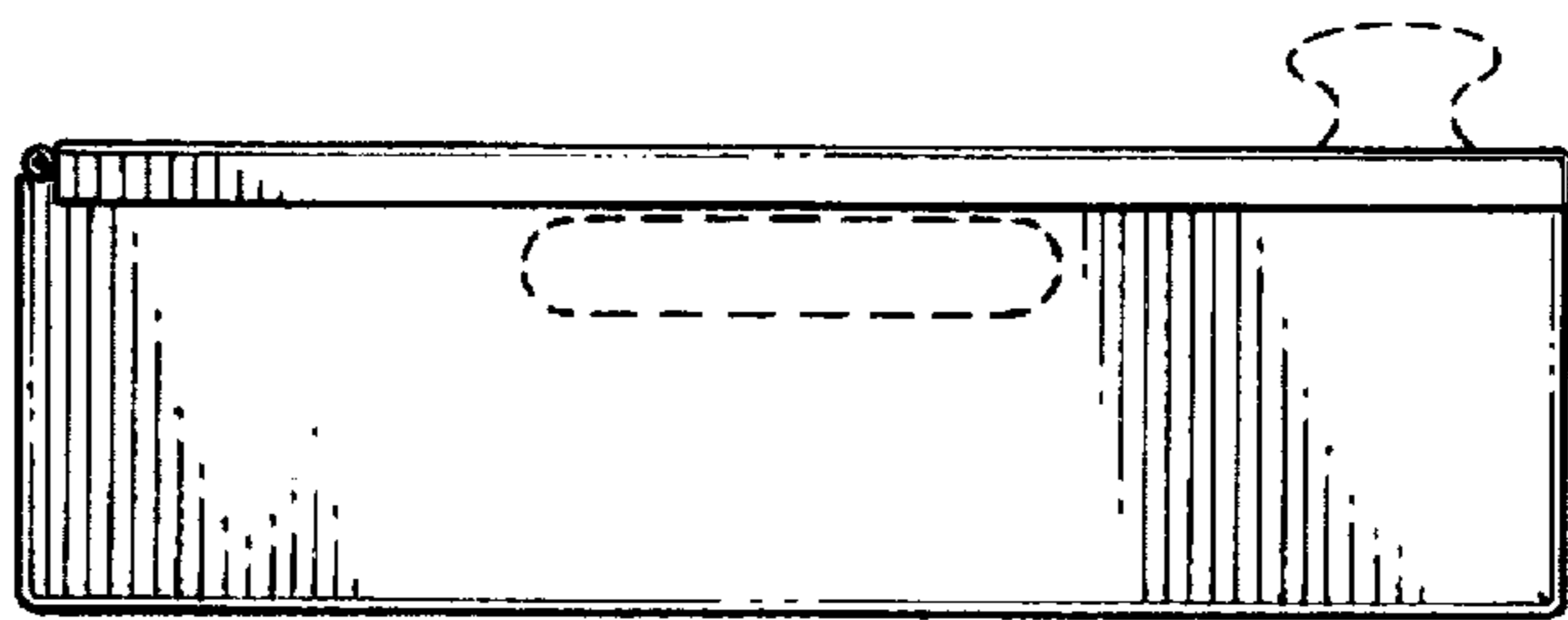
*FIG. 1.*



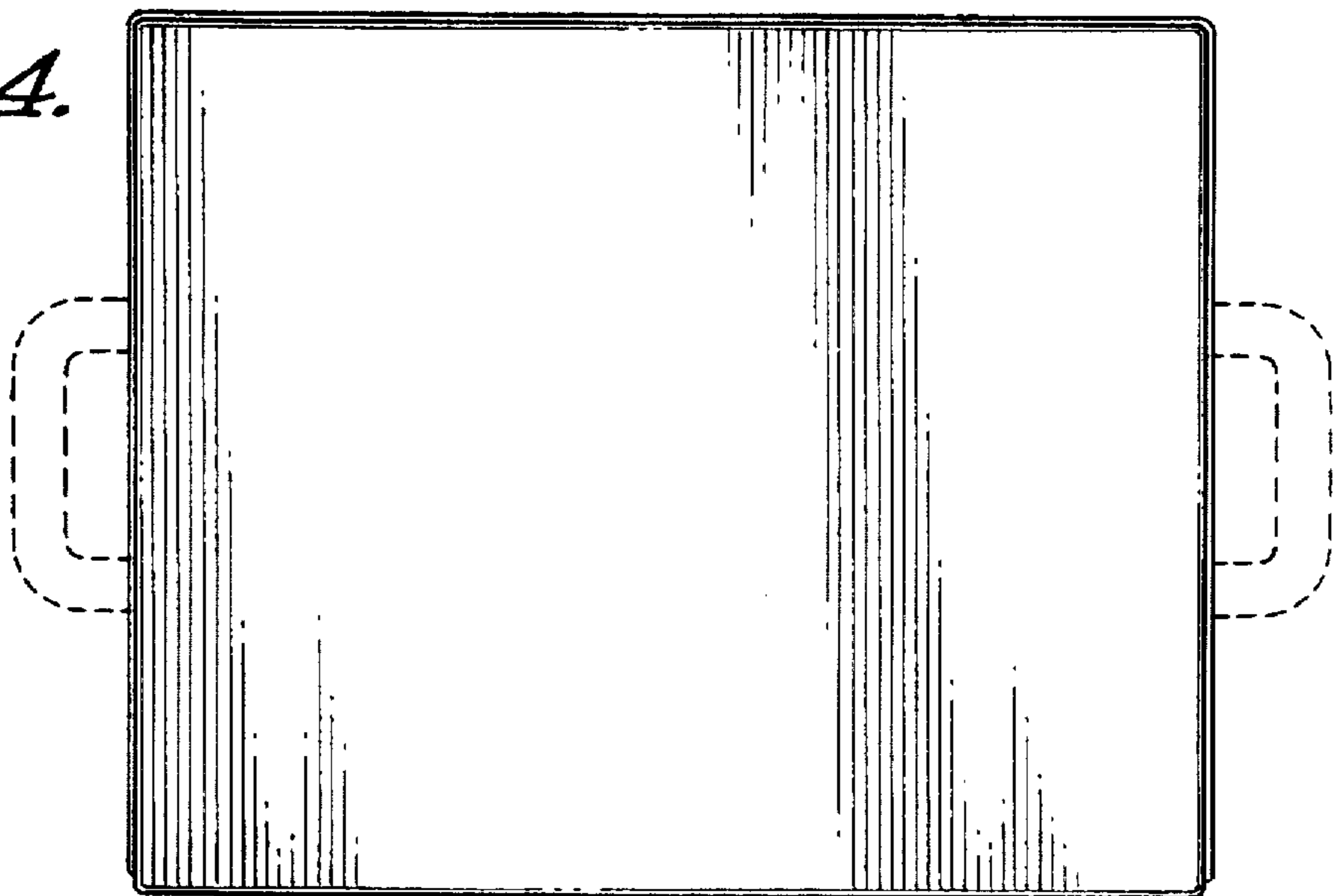
*FIG. 2.*



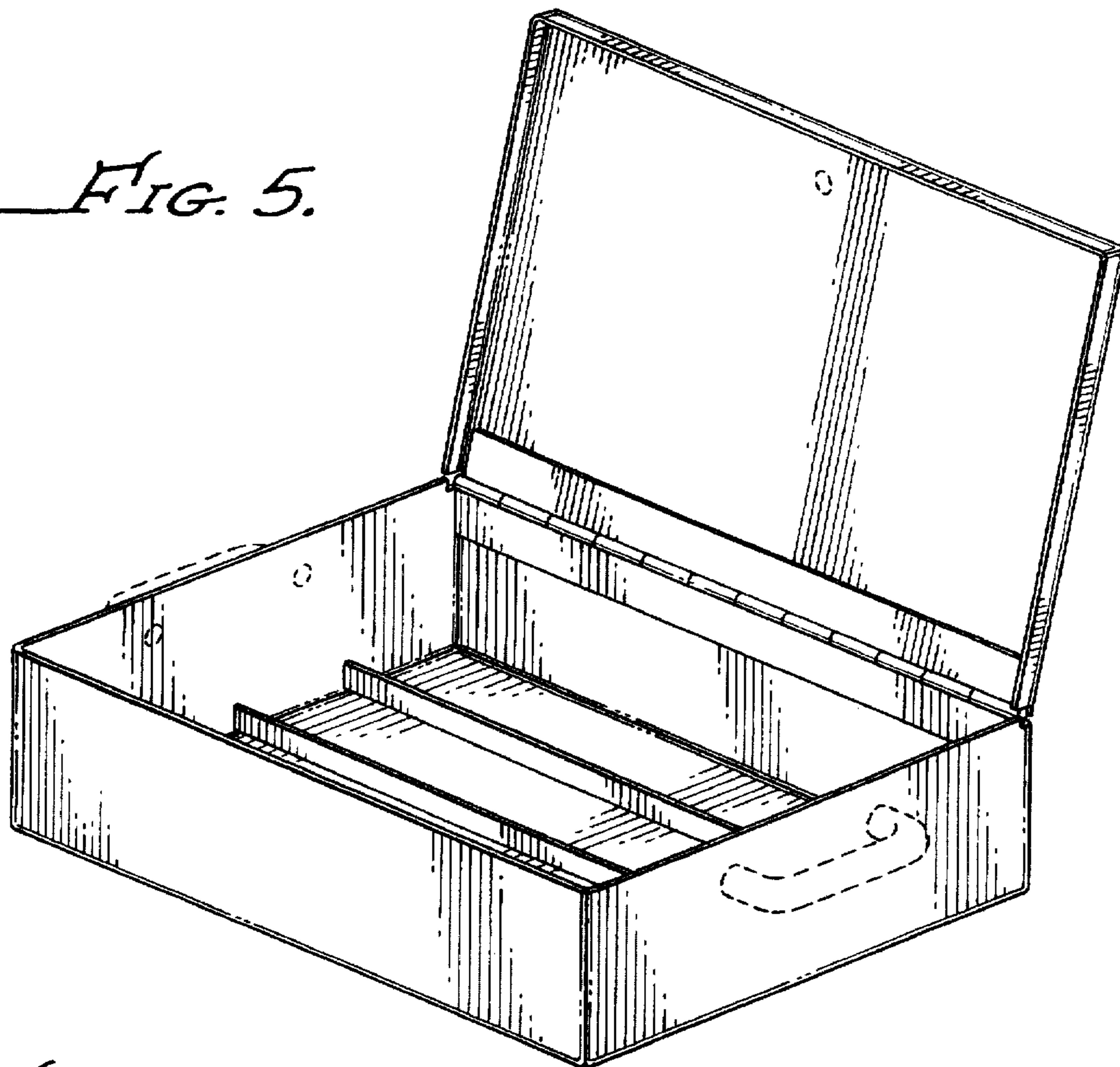
*FIG. 3.*



*FIG. 4.*



*FIG. 5.*



*FIG. 6.*

