



US00D383639S

United States Patent [19]

Jorgensen

[11] Patent Number: **Des. 383,639**

[45] Date of Patent: ****Sep. 16, 1997**

[54] **ICE TEA JUG WITH ICE INSERT**

4,365,544 12/1982 Howitt 99/217
5,472,274 12/1995 Baillie D7/316 X

[75] Inventor: **Carsten Jorgensen, Kriens, Switzerland**

[73] Assignee: **PI-Design AG, Triengen, Switzerland**

[**] Term: **14 Years**

[21] Appl. No.: **54,835**

[22] Filed: **May 23, 1996**

[30] **Foreign Application Priority Data**

Feb. 19, 1996 [DK] Denmark 171/96

[51] LOC (6) Cl. **07-01**

[52] U.S. Cl. **D7/319; D7/318**

[58] Field of Search D7/300, 302, 312,
D7/316, 317, 318, 319, 320, 322, 321,
619, 620, 629, 622, 305; 220/718; 206/446

[56] **References Cited**

U.S. PATENT DOCUMENTS

D. 52,019 5/1918 Biette D7/317
D. 272,627 2/1984 Ireland D7/316 X
D. 337,236 7/1993 Sambinelli D7/317
D. 342,414 12/1993 Jorgensen D7/317
D. 343,760 2/1994 Lin D7/316 X

OTHER PUBLICATIONS

Bonjour Coffee maker Pot, 1996.
Insta Brewer, House Beautiful Oct. 1964 p. 85.

Primary Examiner—M. N. Pandozzi
Attorney, Agent, or Firm—Merchant, Gould, Smith, Edell,
Welter & Schmidt, P.A.

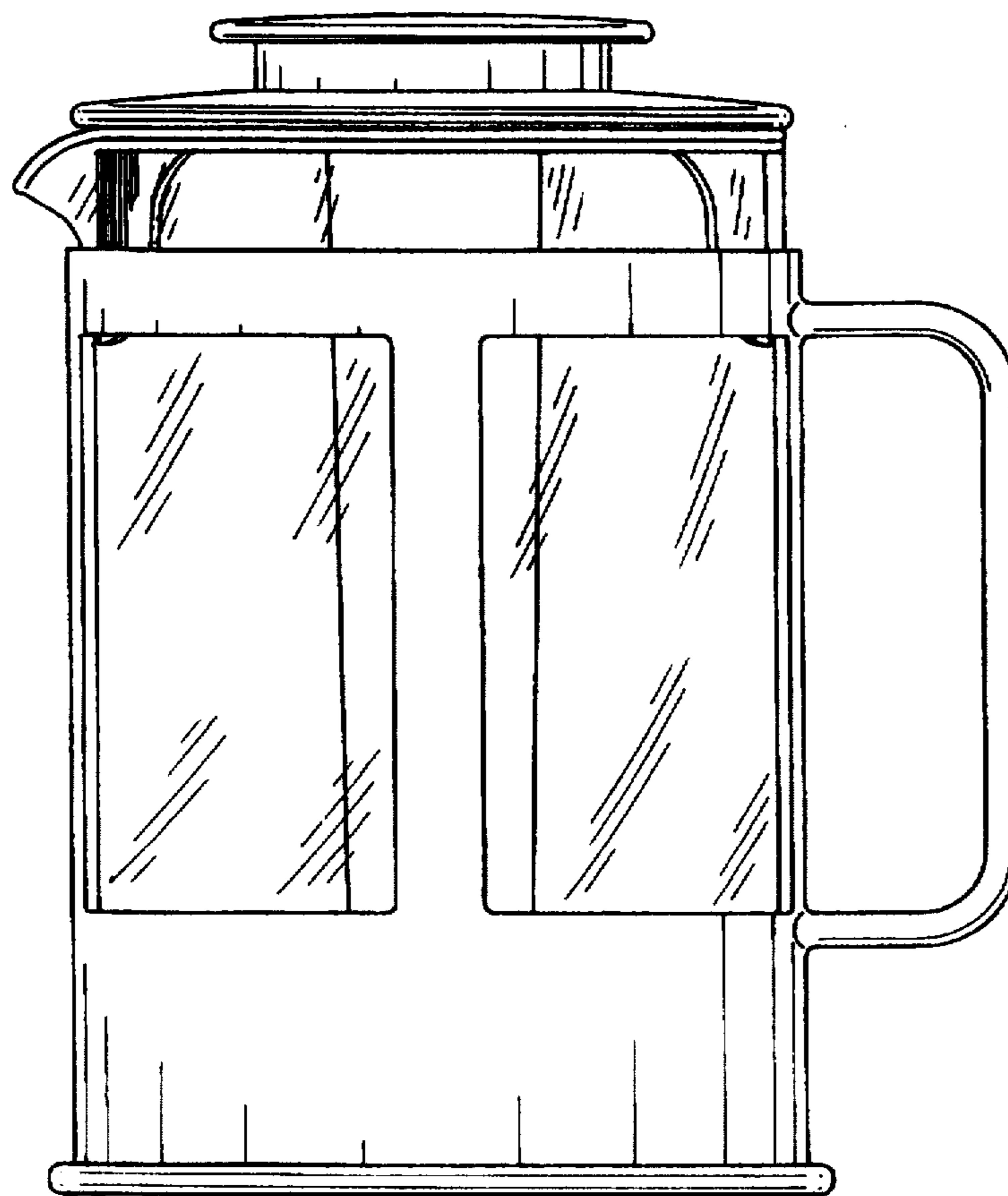
[57] **CLAIM**

The ornamental design for an ice tea jug with ice insert, as shown and described.

DESCRIPTION

FIG. 1 is an oblique perspective view of the ice tea jug with ice insert;
FIG. 2 is a right side view of the ice tea jug with ice insert, as shown in FIG. 1;
FIG. 3 is a left side view of the ice tea jug with ice insert;
FIG. 4 is a front side view of the ice tea jug with ice insert;
FIG. 5 is a back side view of the ice tea jug with ice insert;
FIG. 6 is a top view of the ice tea jug with ice insert; and,
FIG. 7 is a bottom view of the ice tea jug with ice insert.

1 Claim, 7 Drawing Sheets



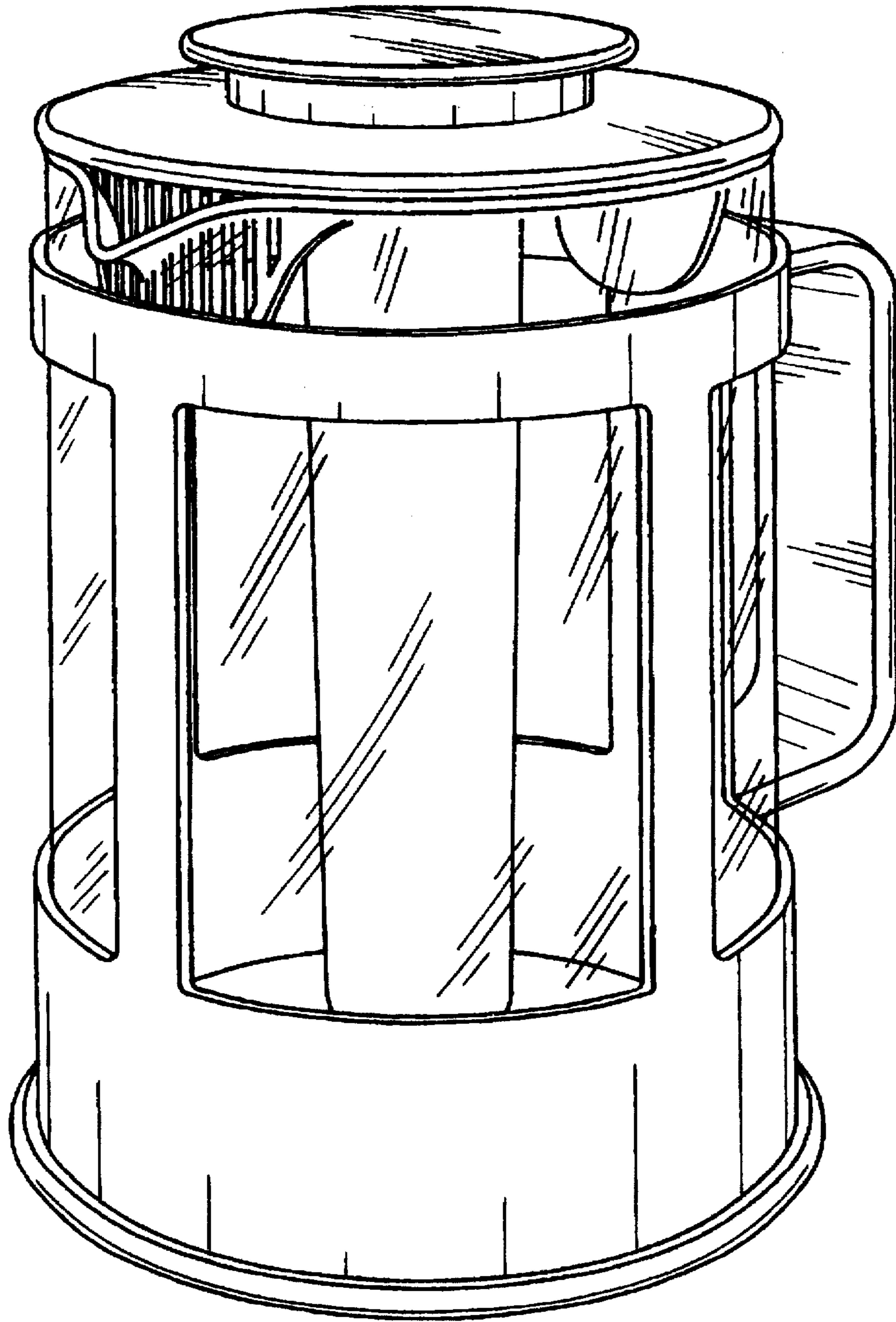


Fig. 1

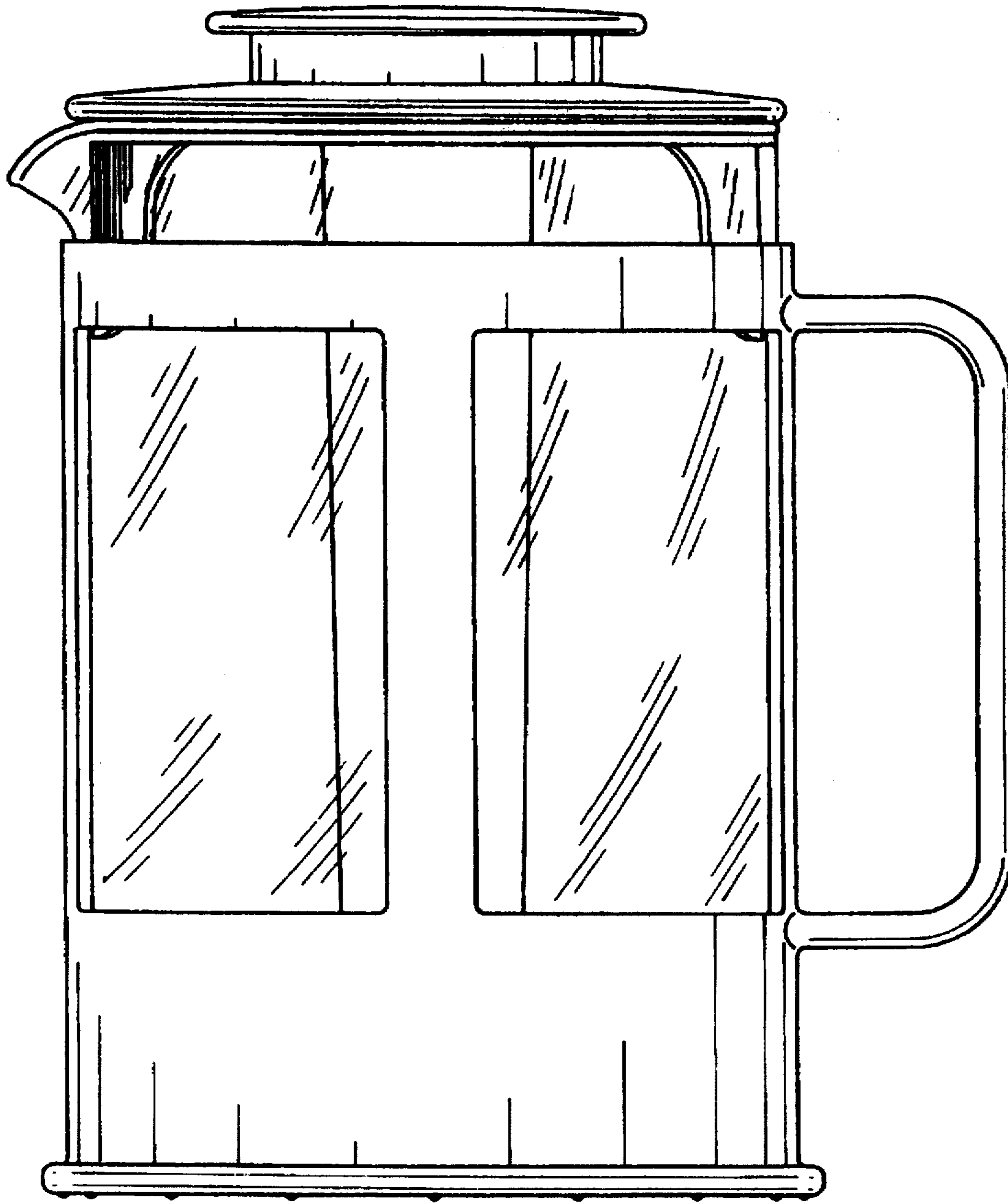


Fig. 2

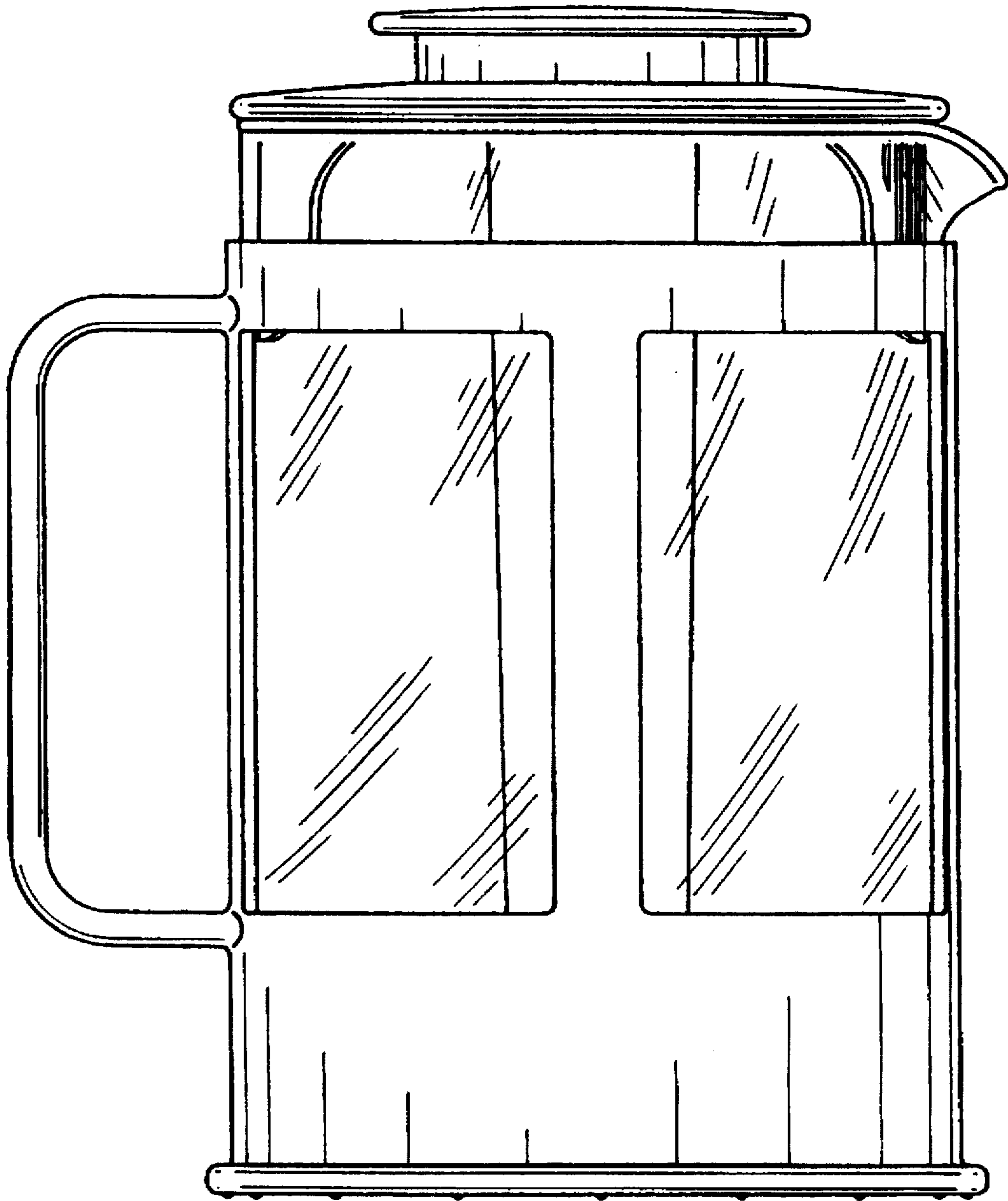


Fig. 3

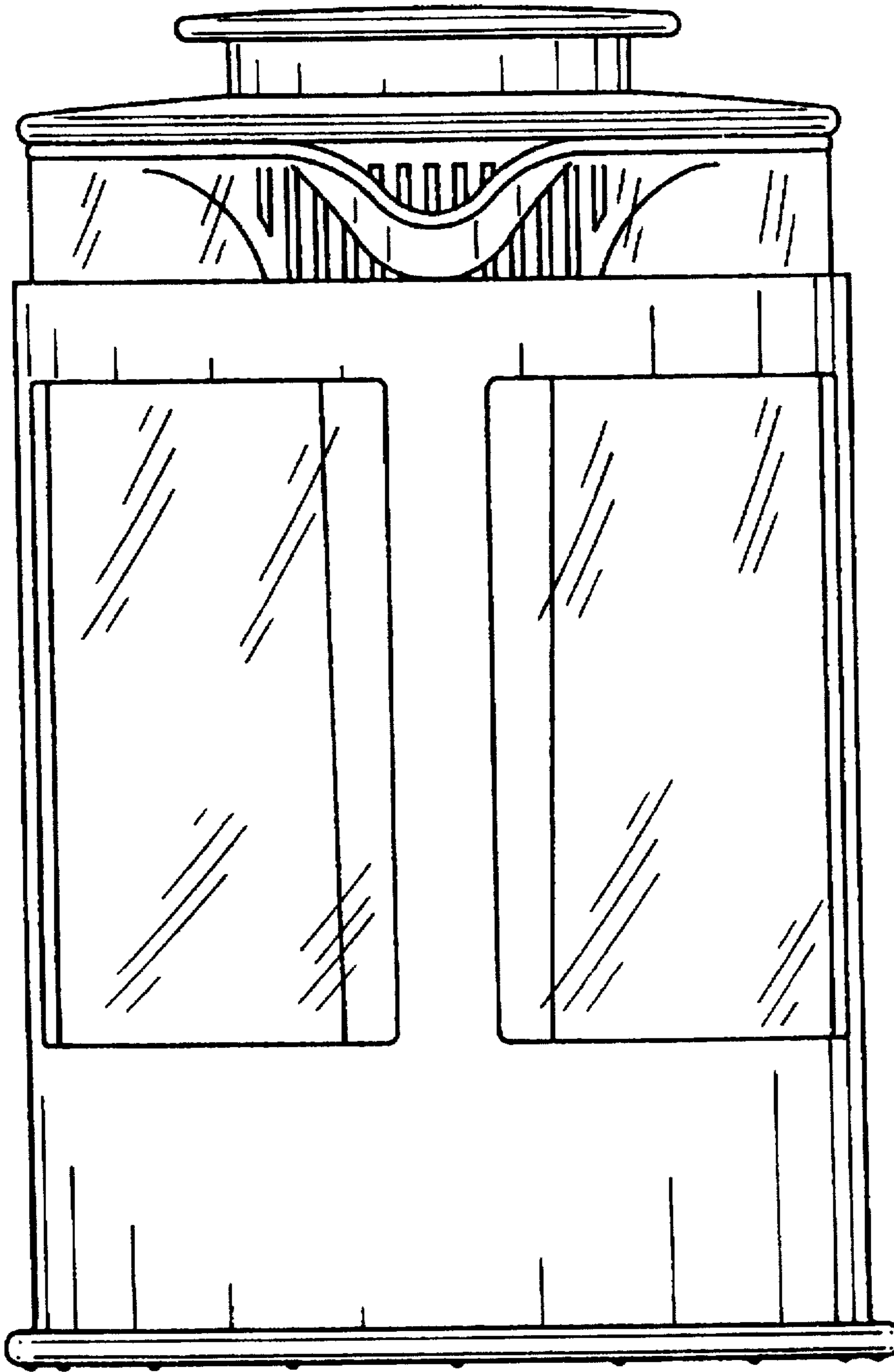


Fig. 4

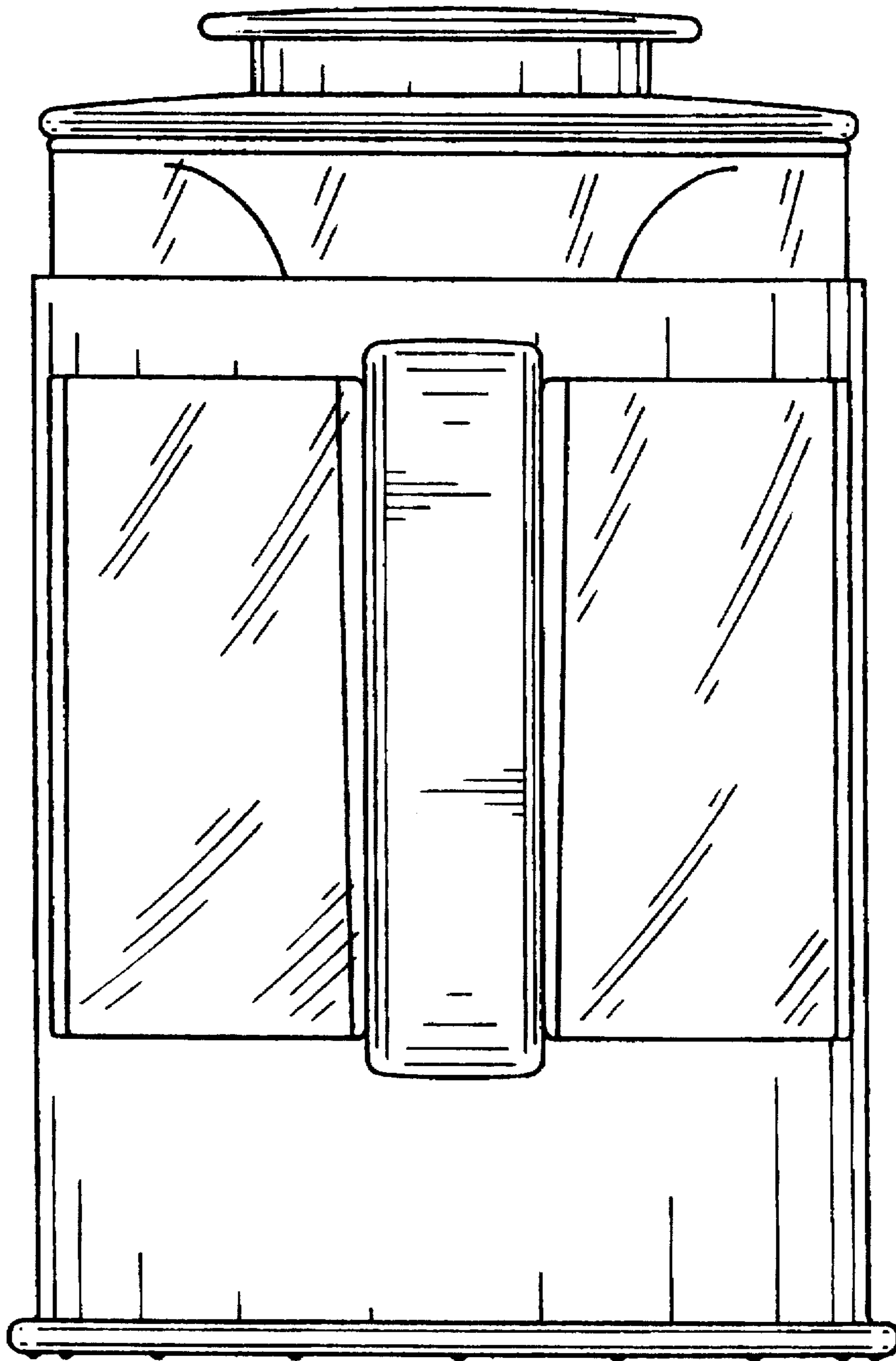


Fig. 5

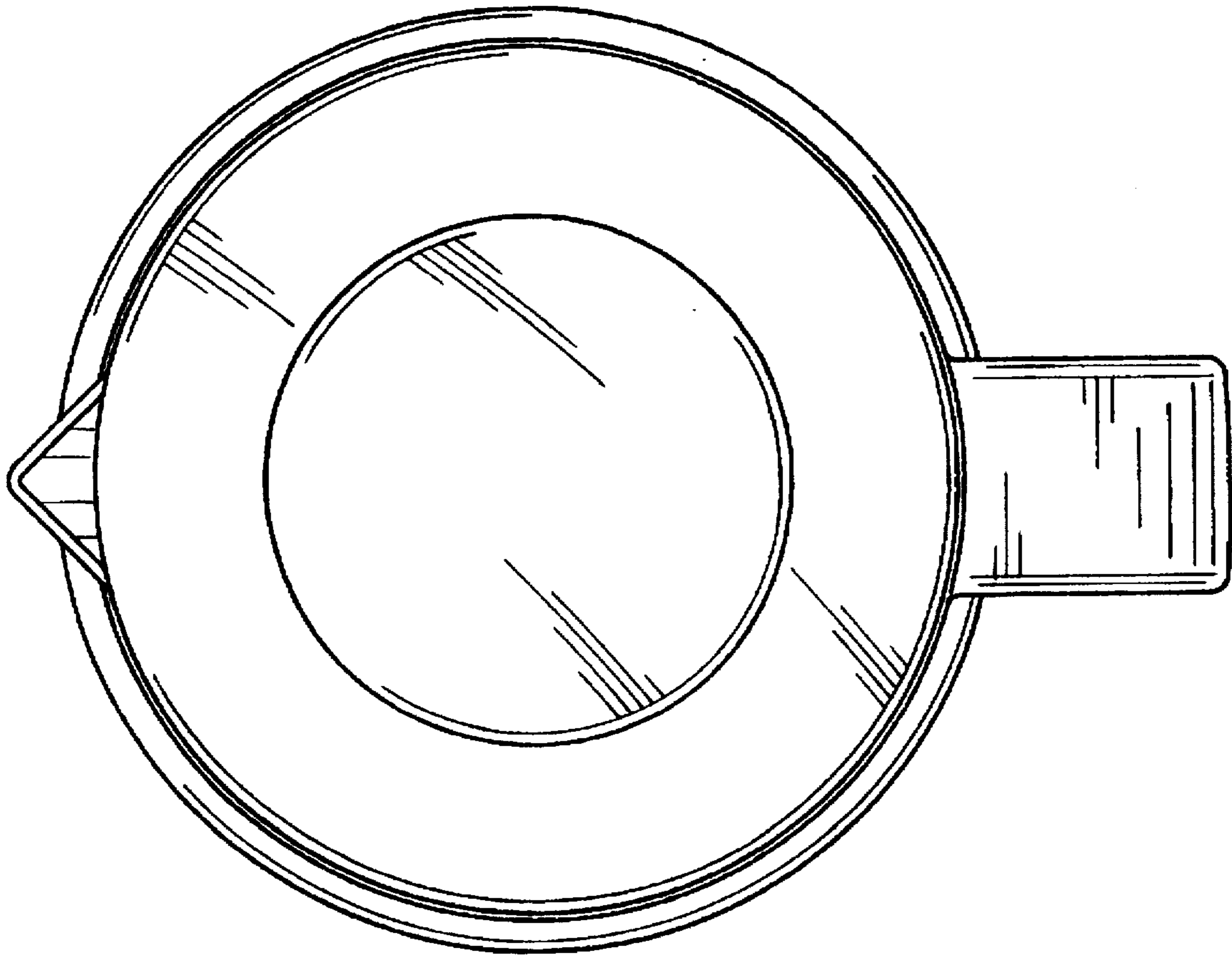


Fig. 6

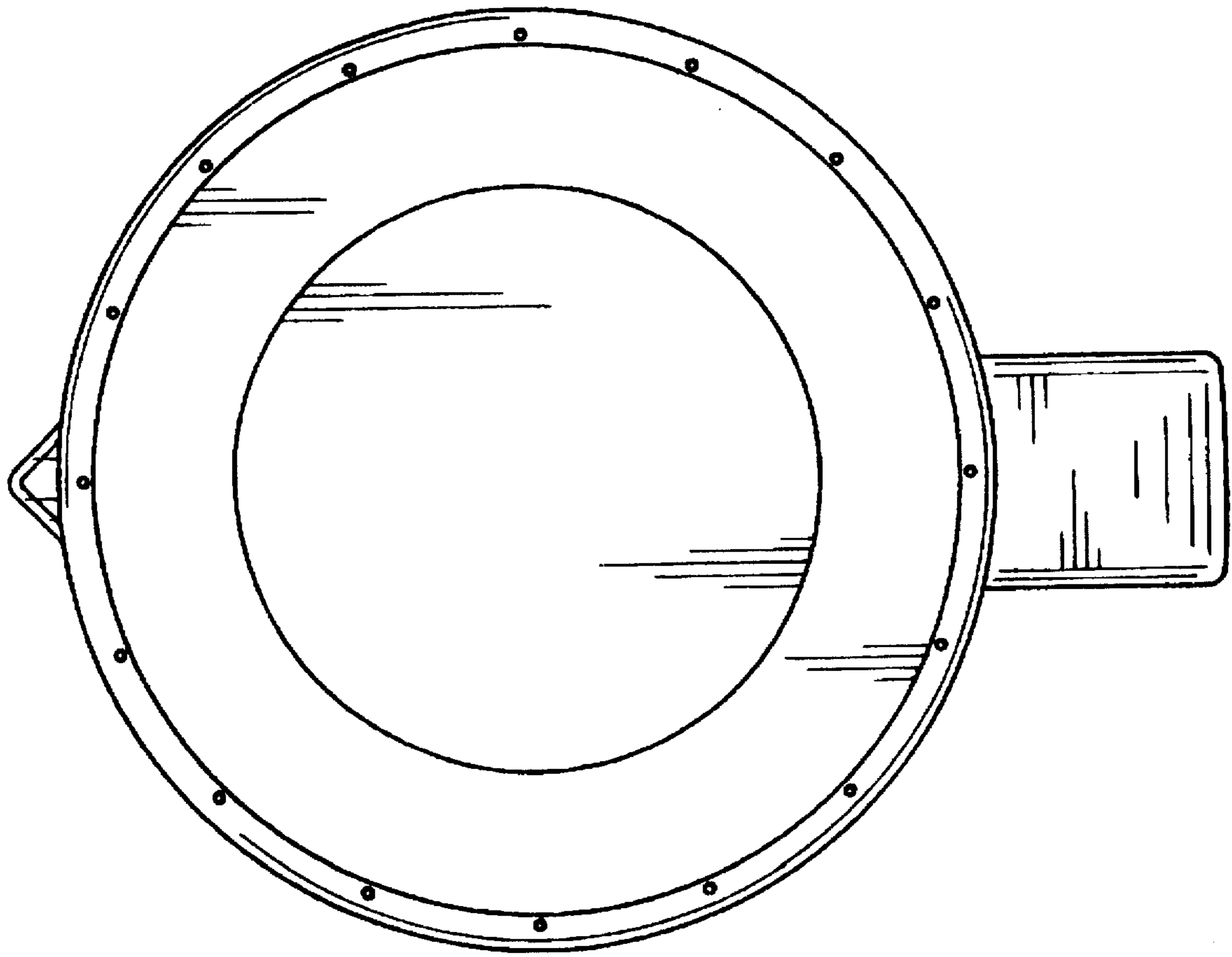


Fig. 7