



US00D383636S

United States Patent [19]
Harris

[11] **Patent Number: Des. 383,636**
[45] **Date of Patent: **Sep. 16, 1997**

[54] **HIGH CHAIR CUSHION**

2,254,466 9/1941 Albert 297/225
5,482,352 1/1996 Leal et al. 297/219.12 X

[76] **Inventor: Michael B. Harris, 18860 NW. 12th St., Pembroke Pines, Fla. 33029**

[**] **Term: 14 Years**

Primary Examiner—Janice E. Seeger
Attorney, Agent, or Firm—Herbert L. Lerner; Laurence A. Greenberg

[21] **Appl. No.: 53,028**

[57] **CLAIM**

[22] **Filed: Apr. 19, 1996**

The ornamental design for a high chair cushion, as shown and described.

[51] **LOC (6) Cl. 06-09**

DESCRIPTION

[52] **U.S. Cl. D6/601; D6/333; D6/339; D6/611**

[58] **Field of Search** D6/595-598, 601-604, D6/611, 333, 339; 297/250.1, 255, 256, 225, 229, 228, 256.17, 219.1, 219.12; 5/652, 653

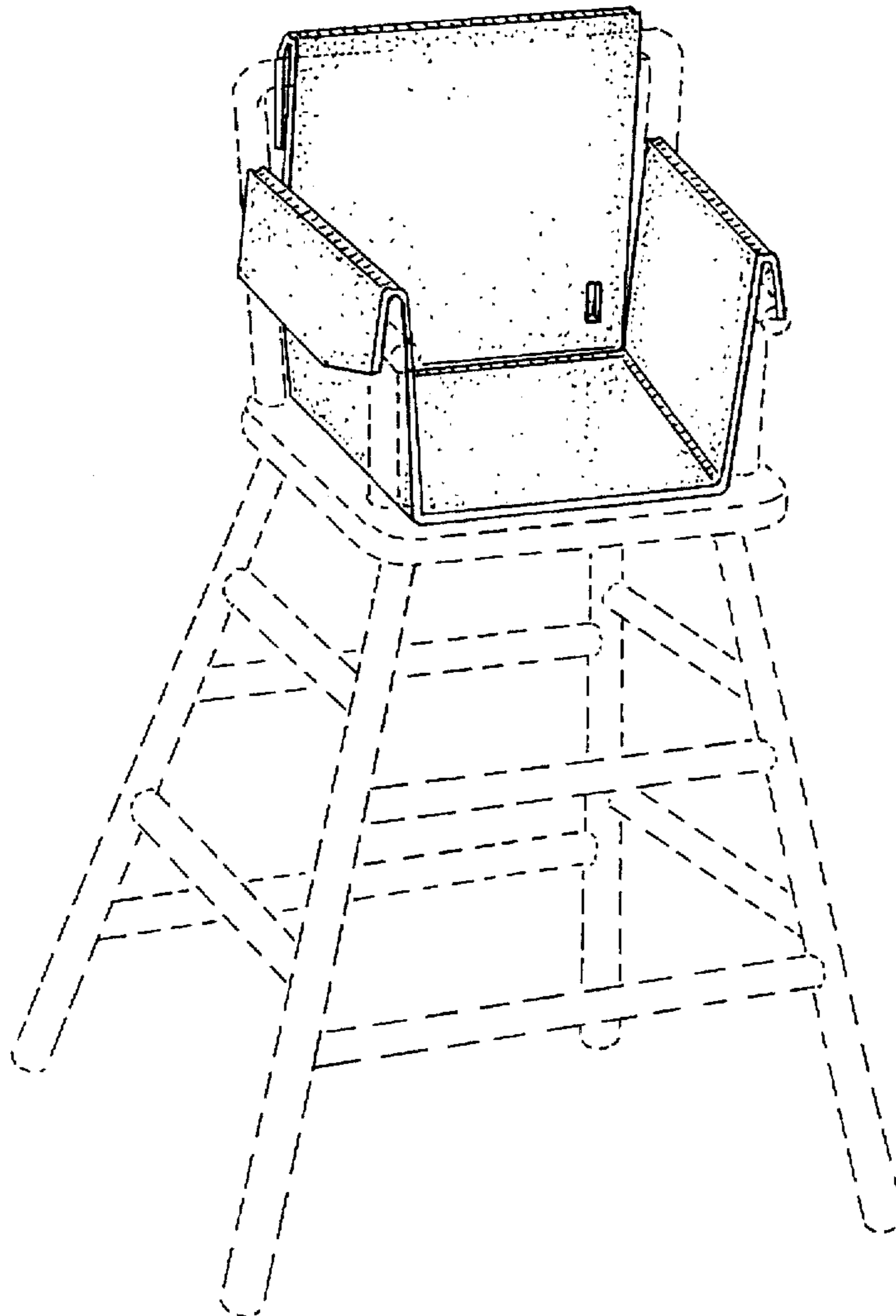
FIG. 1 is a perspective view of a high chair cushion, showing my new design, the broken lines are for environmental purposes only and form no part of the claimed design; FIG. 2 is a top plan view of the cushion; FIG. 3 is a rear elevational view thereof; FIG. 4 is a front elevational view thereof; FIG. 5 is a bottom plan view thereof; FIG. 6 is a left-side elevational view thereof; and, FIG. 7 is a right-side elevational view thereof.

[56] **References Cited**

U.S. PATENT DOCUMENTS

D. 294,778 3/1988 Lynch D6/333
D. 342,835 1/1994 Mink D6/333

1 Claim, 3 Drawing Sheets



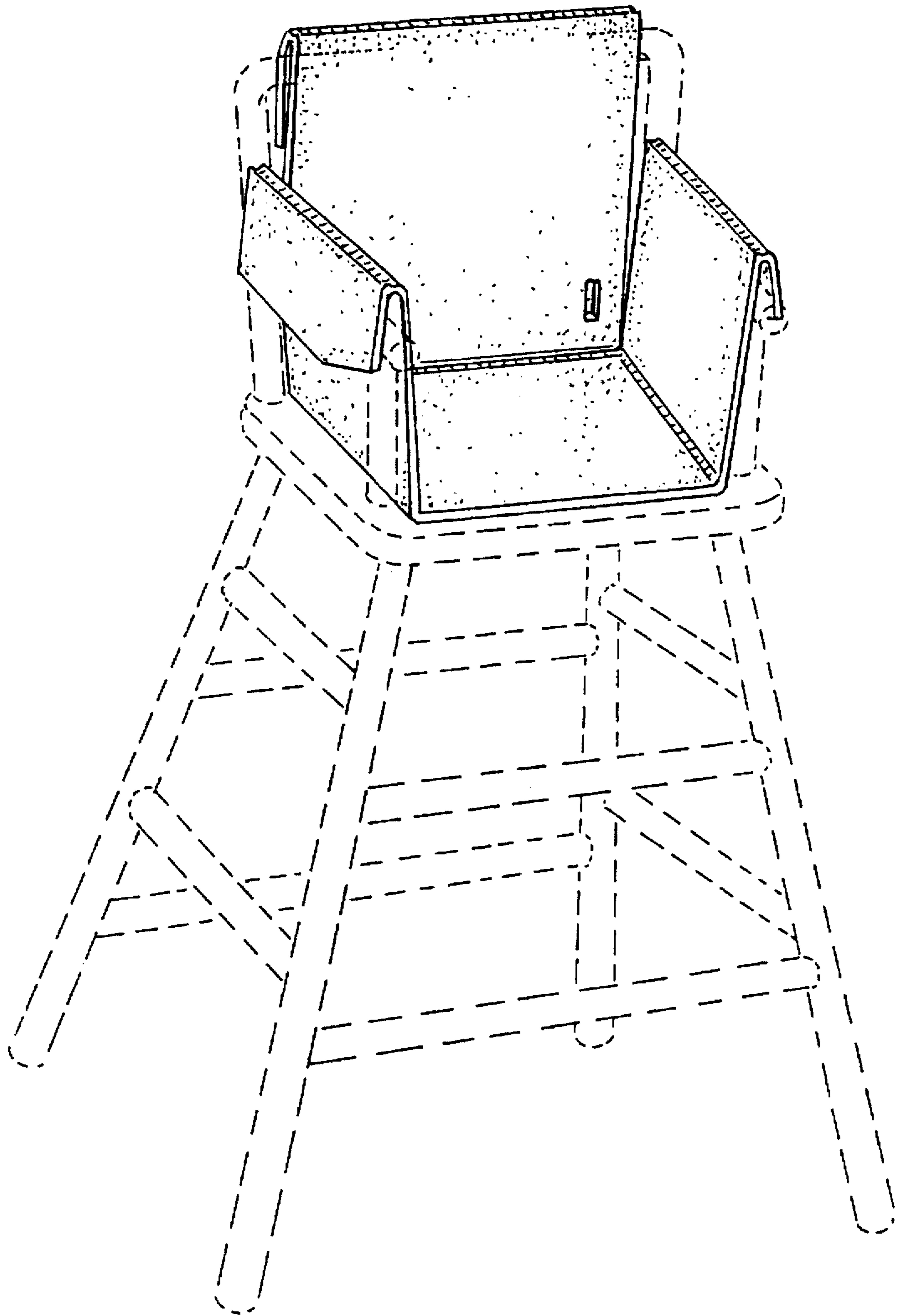


Fig. 1

Fig. 3

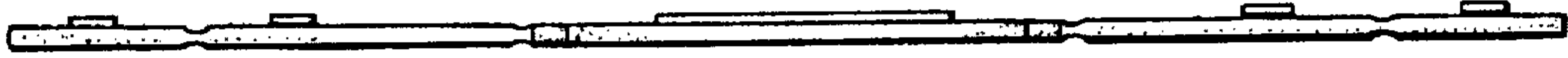


Fig. 2

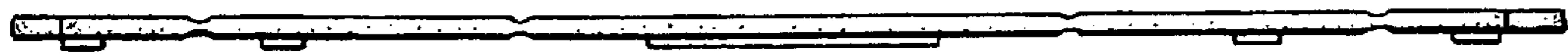
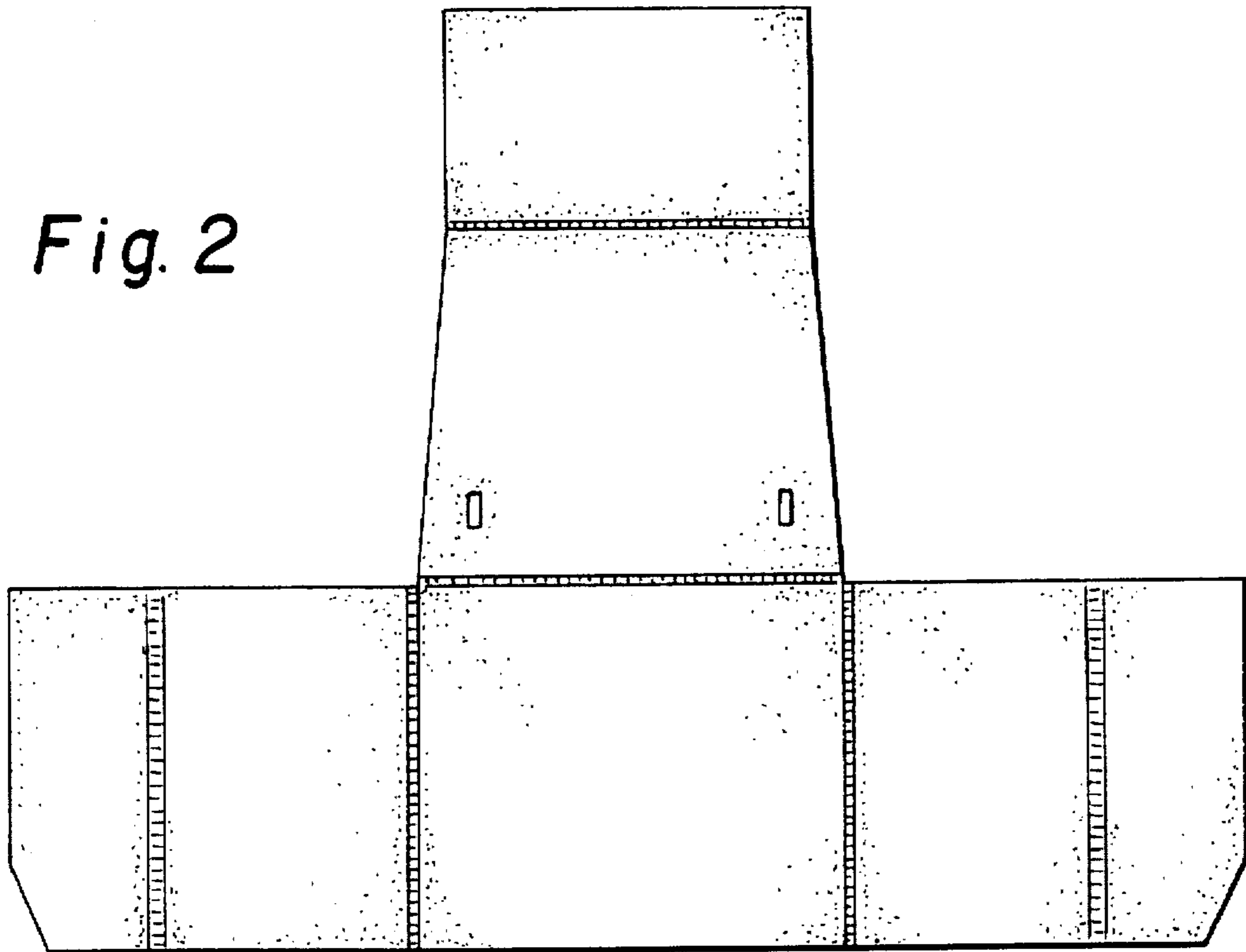


Fig. 4

Fig. 5

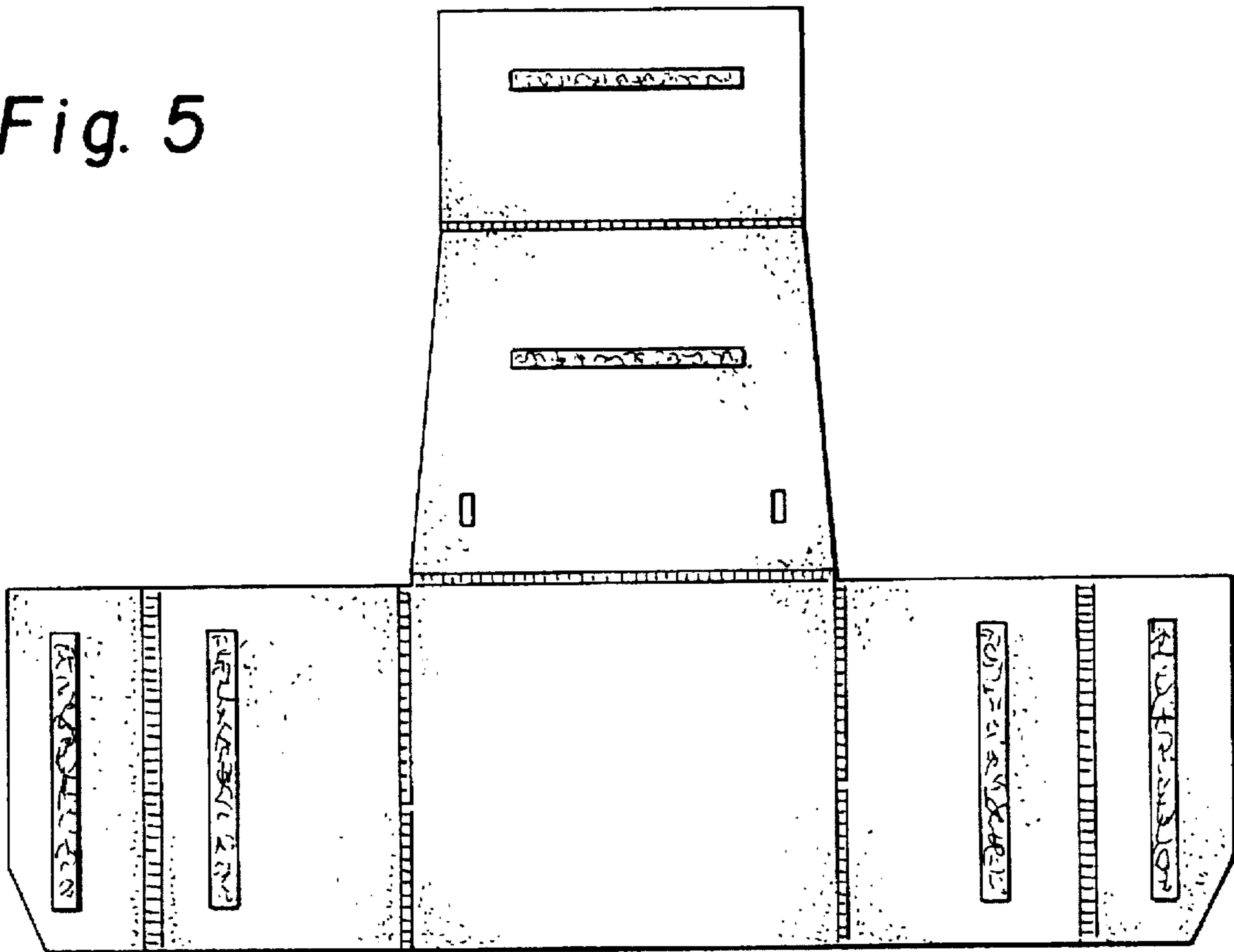


Fig. 6



Fig. 7