



US00D383632S

**United States Patent** [19]  
**Goodman**

[11] **Patent Number: Des. 383,632**

[45] **Date of Patent: \*\*Sep. 16, 1997**

[54] **TOWEL BAR**

D. 333,419 2/1993 McLeod ..... D8/341  
4,465,198 8/1984 Martin ..... 211/123 X

[76] **Inventor: Sheldon H. Goodman, 30905 Statford, Solon, Ohio 44139**

*Primary Examiner*—Brian N. Vinson  
*Attorney, Agent, or Firm*—Pearne, Gordon, McCoy & Granger

[\*\*] **Term: 14 Years**

[21] **Appl. No.: 55,322**

[57] **CLAIM**

[22] **Filed: Jun. 5, 1996**

The ornamental design for a towel bar, as shown and described.

[51] **LOC (6) Cl. .... 07-07**

**DESCRIPTION**

[52] **U.S. Cl. .... D6/549**

[58] **Field of Search .... D6/546-550; D8/341; 211/123; 248/251**

FIG. 1 is a left side, top and front perspective view of a towel bar showing my new design;

FIG. 2 is a front elevational view thereof;

FIG. 3 is a right side elevational view thereof;

FIG. 4 is a bottom plan view thereof; and,

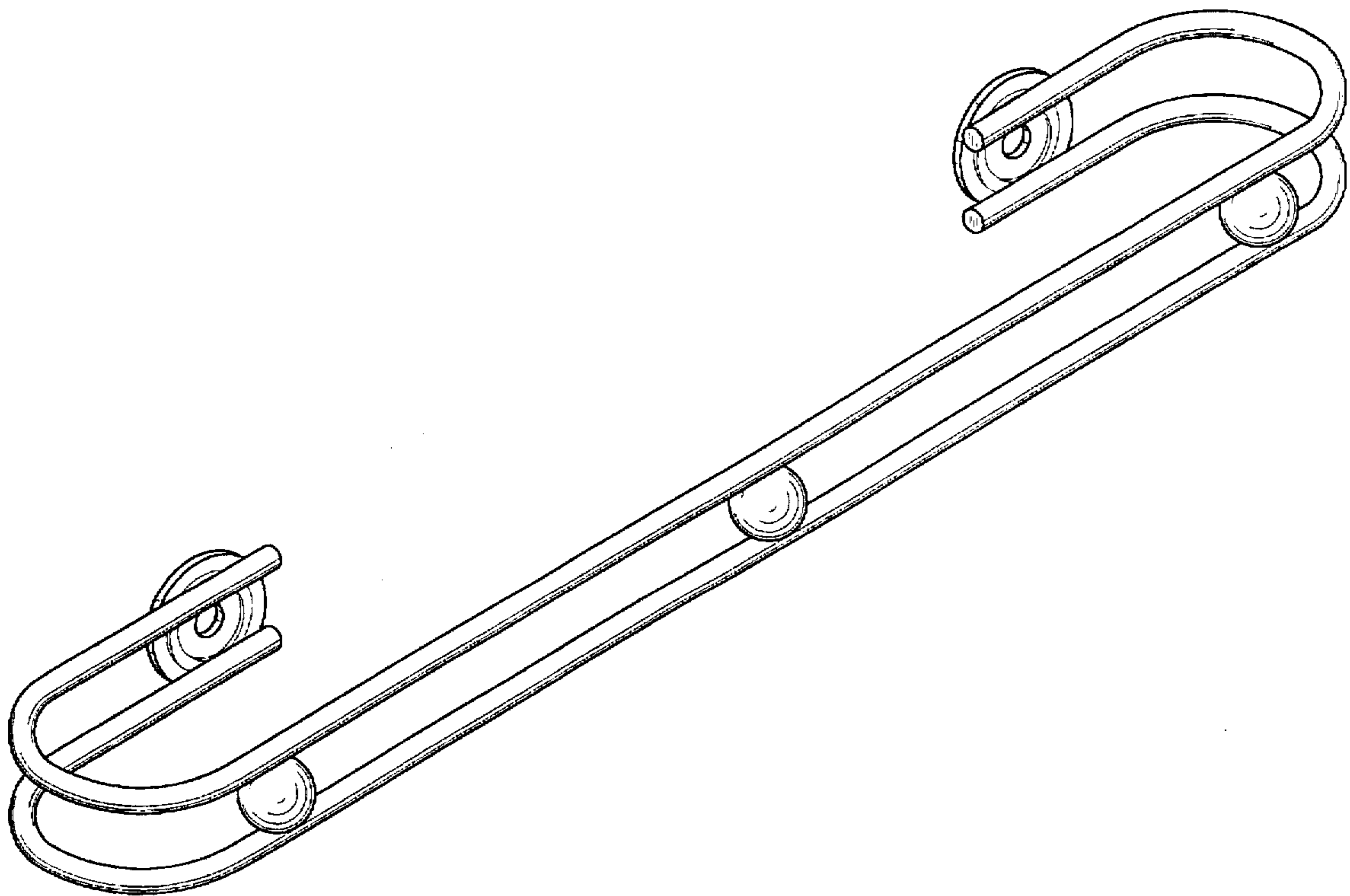
FIG. 5 is a rear elevational view thereof.

[56] **References Cited**

**U.S. PATENT DOCUMENTS**

D. 132,711	6/1942	Sanford	.....	D6/548
D. 190,522	6/1961	Doucet	.....	D6/548
D. 301,955	7/1989	Joss et al.	.....	D6/546

**1 Claim, 2 Drawing Sheets**



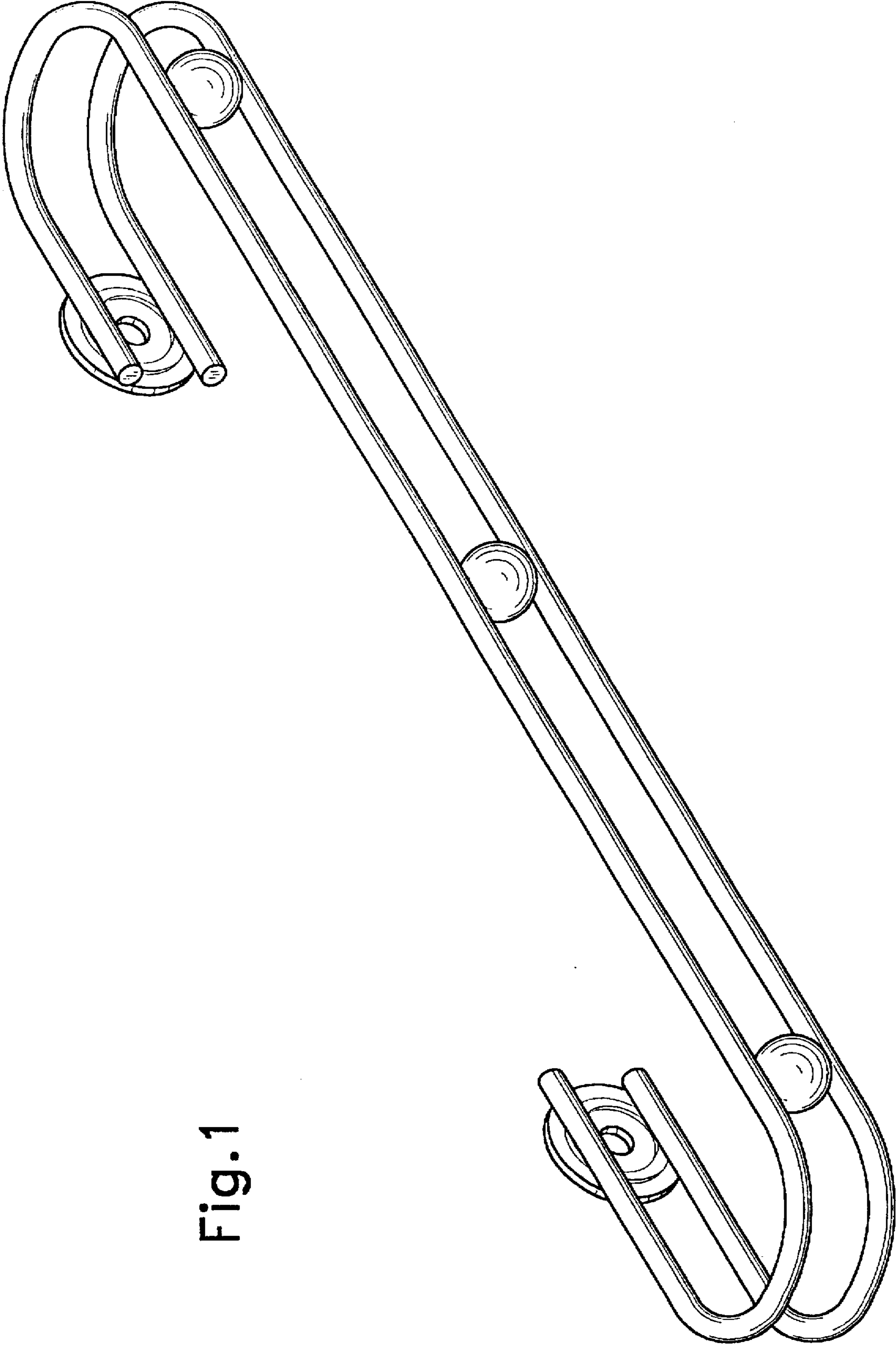


Fig. 1

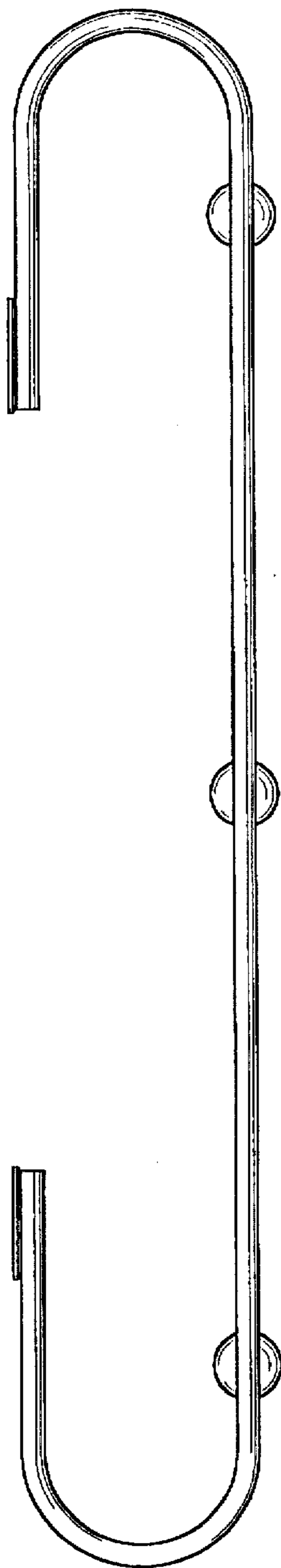


Fig. 4

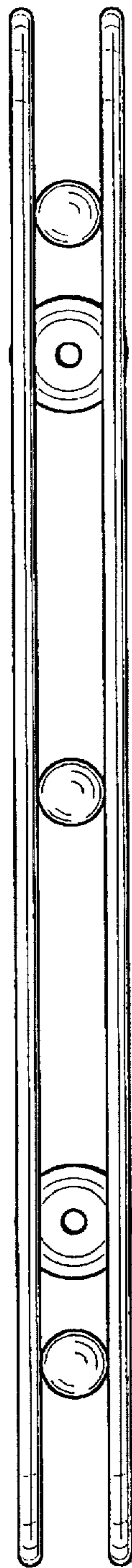


Fig. 2

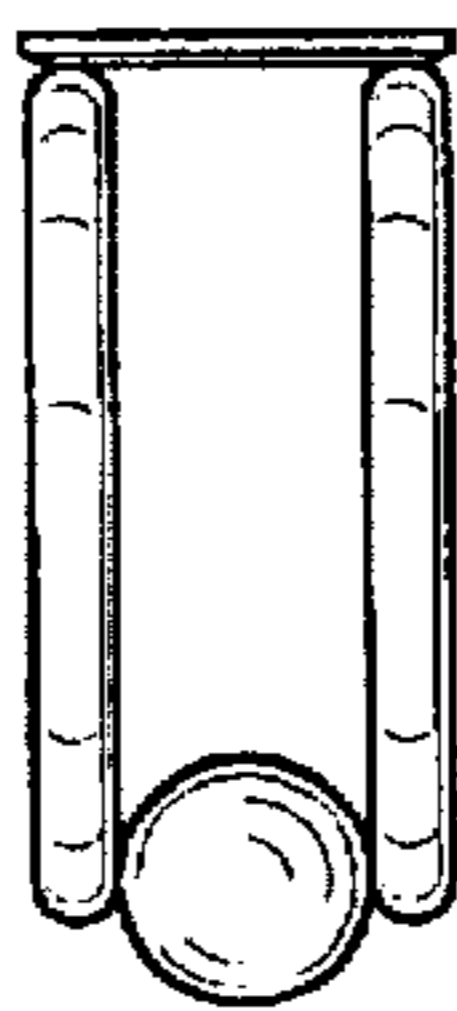


Fig. 3

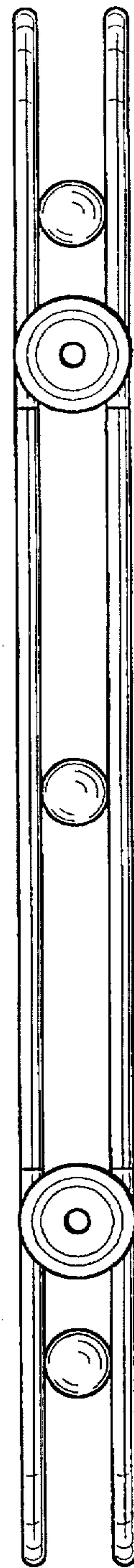


Fig. 5