



US00D383631S

United States Patent [19]

[11] Patent Number: **Des. 383,631**

Wirt et al.

[45] Date of Patent: ****Sep. 16, 1997**

[54] **RESERVOIR ASSEMBLY FOR A PRODUCT DISPENSER**

[75] Inventors: **David F. Wirt, Prescott; Floyd L. Foslien, Troy Township, both of Wis.**

[73] Assignee: **Minnesota Mining & Manufacturing Company, St. Paul, Minn.**

[**] Term: **14 Years**

[21] Appl. No.: **56,066**

[22] Filed: **Jun. 21, 1996**

[51] LOC (6) Cl. **07-07**

[52] U.S. Cl. **D6/545**

[58] Field of Search **D6/542-545; 22/94, 22/105, 129, 135, 156, 173, 180-181, 185, 630-631; 221/282, 286**

[56] **References Cited**

U.S. PATENT DOCUMENTS

D. 238,638	2/1976	Fischer	D6/542
D. 268,154	3/1983	Frassanito	D6/545
D. 304,548	11/1989	Freitas	D9/373
D. 332,370	1/1993	Hanna et al.	D6/545
D. 341,974	12/1993	Killoy	D6/545
1,174,674	3/1916	Byer .	
1,219,364	3/1917	Wise .	
1,736,392	11/1929	Coss et al. .	
1,949,315	2/1934	Levernier	221/94
2,283,529	5/1942	Bobrick	221/102
2,537,415	1/1951	Loeb et al.	222/340
2,616,095	11/1952	Stuckey	4/166
2,824,676	2/1958	Still et al.	222/442
3,072,297	1/1963	Lippman et al.	222/181
3,090,528	5/1963	Ellis	222/179
3,197,081	7/1965	Midworth	222/179
3,203,597	8/1965	Birch	222/179
3,233,787	2/1966	Ross	222/179
3,381,856	5/1968	Hrdina	222/48
3,741,439	6/1973	Vehrs	222/103
3,870,201	3/1975	Asplund	222/207
3,897,890	8/1975	Jente	222/179
3,977,569	8/1976	Scholle	222/105
4,130,224	12/1978	Norman et al.	222/185
4,489,857	12/1984	Batlas	222/179
4,534,669	8/1985	Heck et al.	401/134

4,546,904	10/1985	Frassanito	222/185
4,564,127	1/1986	Garabedian et al.	222/96
4,586,635	5/1986	Collins, Jr.	222/94
4,615,476	10/1986	Hobbs et al.	222/153
4,645,094	2/1987	Acklin et al.	222/52
4,667,854	5/1987	McDermott et al.	222/101
4,671,428	6/1987	Spatz	222/105
4,705,195	11/1987	Heck	222/207
4,792,064	12/1988	Loesel, Jr. et al.	222/181
4,793,521	12/1988	Steiner	222/156
4,838,460	6/1989	Moore et al.	222/153
4,895,276	1/1990	Maldonado	222/144
4,921,131	5/1990	Binderbauer et al.	222/52
4,930,670	6/1990	Kuo	222/321
4,946,072	8/1990	Albert et al.	222/105
4,967,935	11/1990	Celest	222/63
5,100,027	3/1992	Gueret	222/105
5,156,300	10/1992	Spahni et al.	222/105
5,222,633	6/1993	Blake	222/179
5,234,132	8/1993	Bachand et al.	222/182
5,253,788	10/1993	Vandromme et al.	222/321
5,287,996	2/1994	Uhlig	222/189
5,301,852	4/1994	Mancini	222/321
5,312,018	5/1994	Evezich	222/95
5,332,129	7/1994	Brattoli et al.	222/321

OTHER PUBLICATIONS

Architectural Record (Oct. 1957) p. 2, "Watrous Tear Drop Soap Dispenser".

Primary Examiner—Brian N. Vinson
Attorney, Agent, or Firm—Gary L. Griswold; Walter N. Kirn; Jeffrey J. Hohenshell

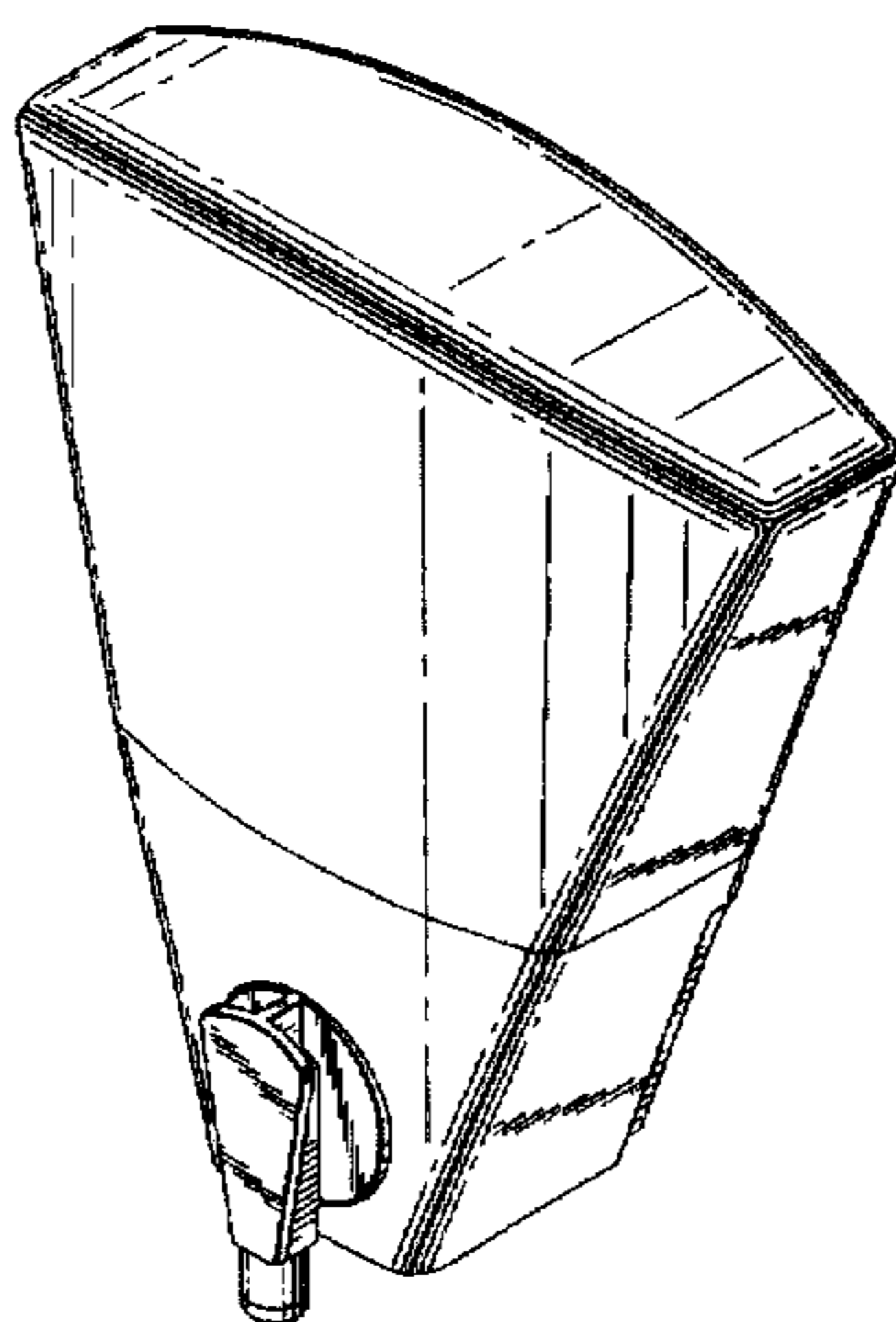
[57] **CLAIM**

The ornamental design for a reservoir assembly for a product dispenser, as shown and described.

DESCRIPTION

FIG. 1 is a perspective view of a reservoir assembly for a product dispenser showing our new design;
FIG. 2 is a front view thereof;
FIG. 3 is a rear view thereof;
FIG. 4 is a right side view thereof, the left side view being a mirror image thereof;
FIG. 5 is a top view thereof; and,
FIG. 6 is a bottom view thereof.

1 Claim, 5 Drawing Sheets



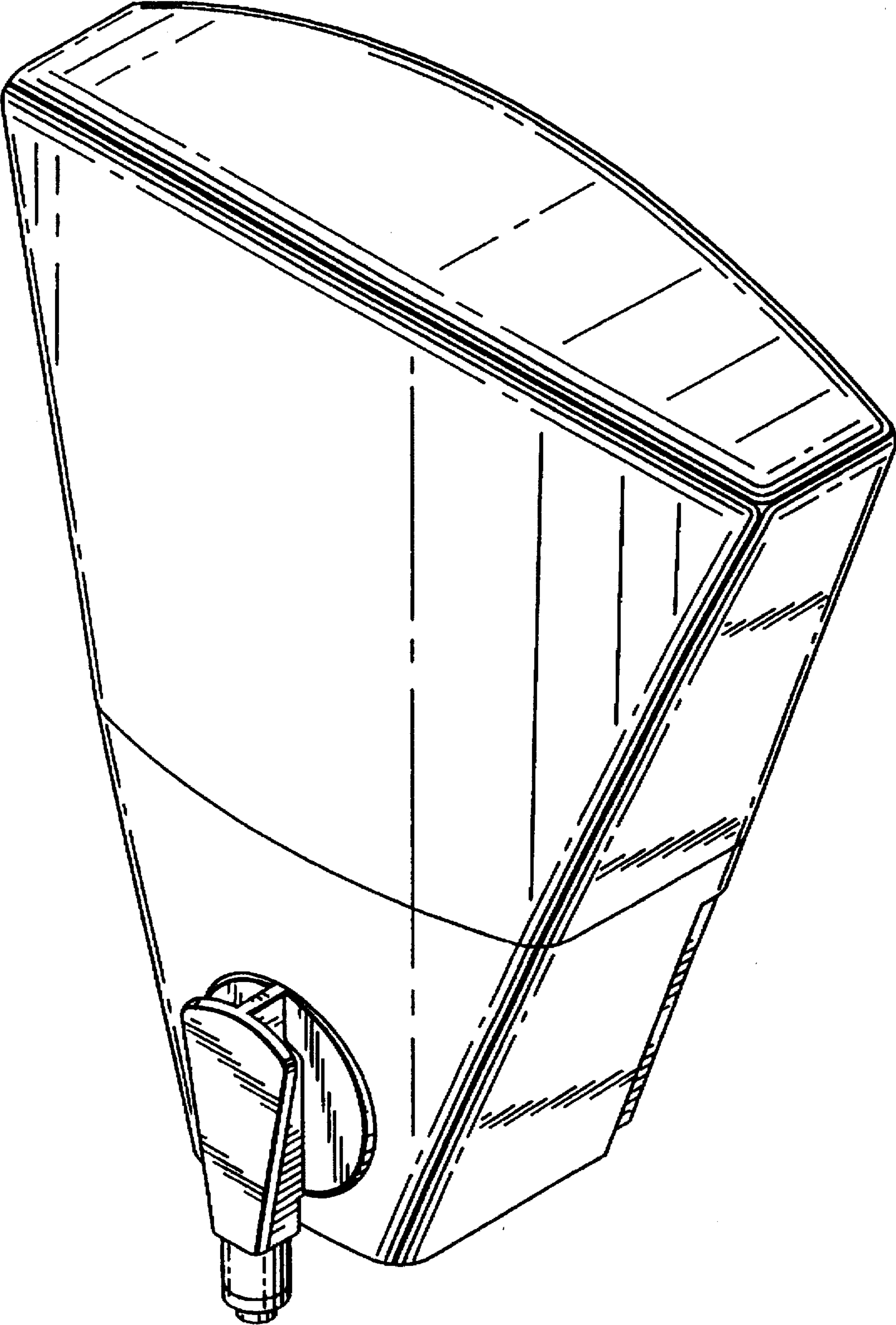


Fig. 1

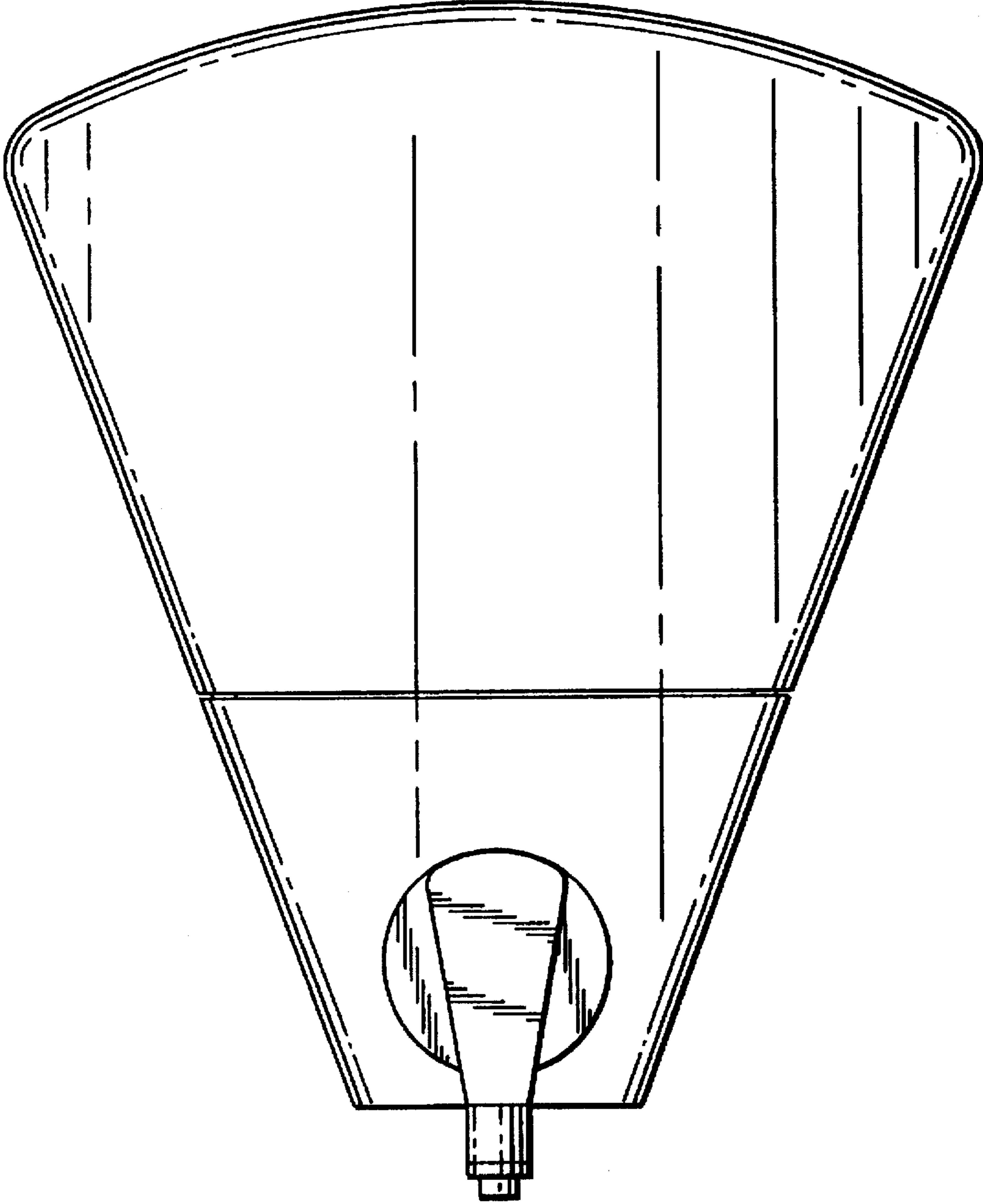


Fig. 2

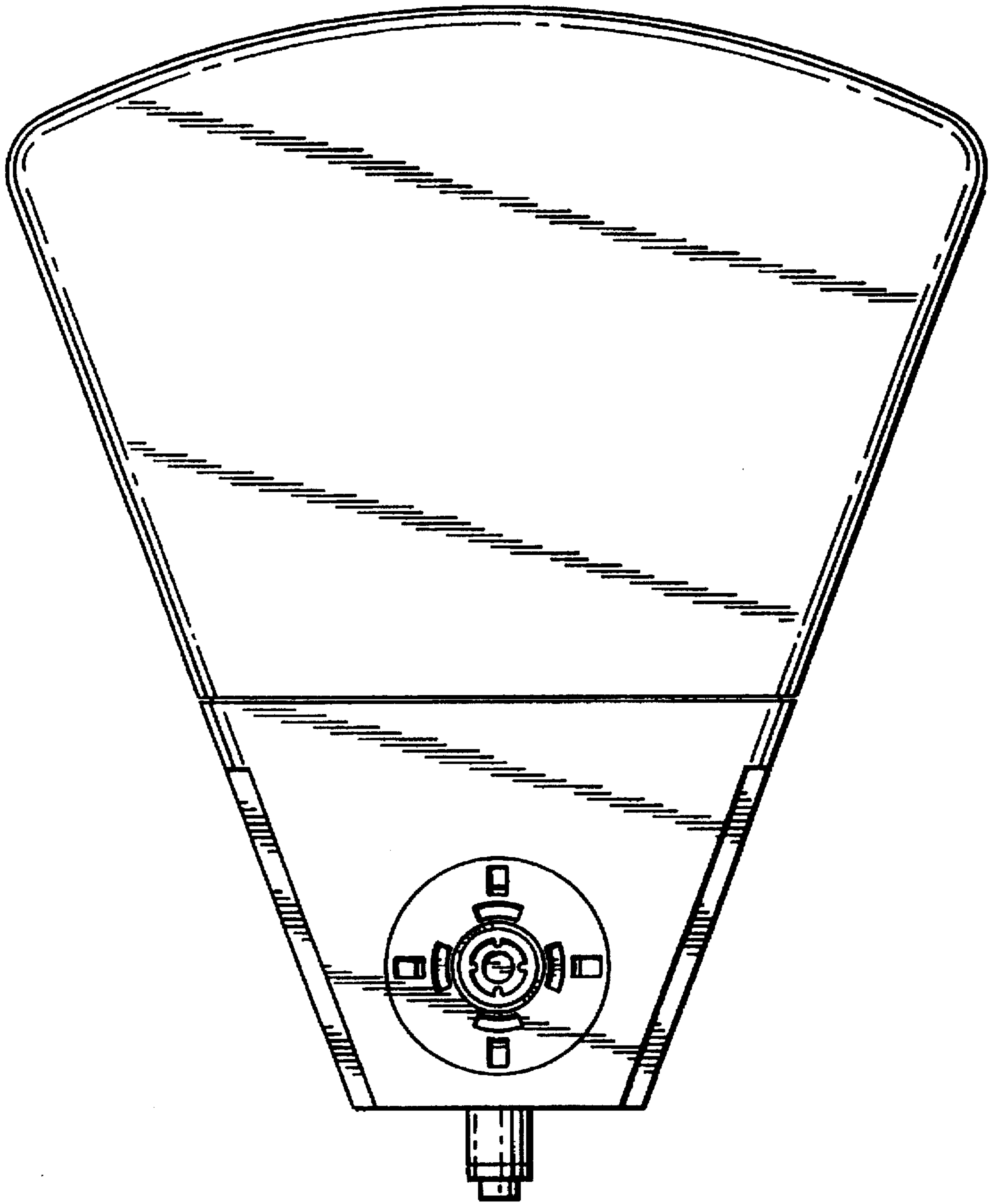


Fig. 3

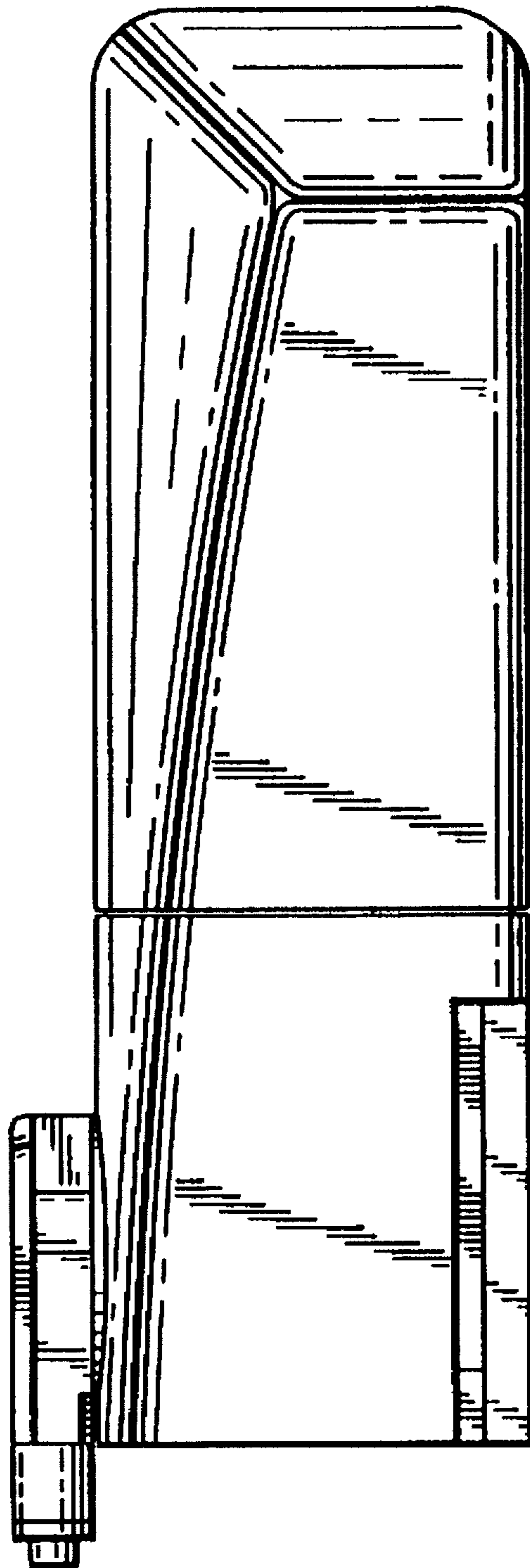


Fig. 4

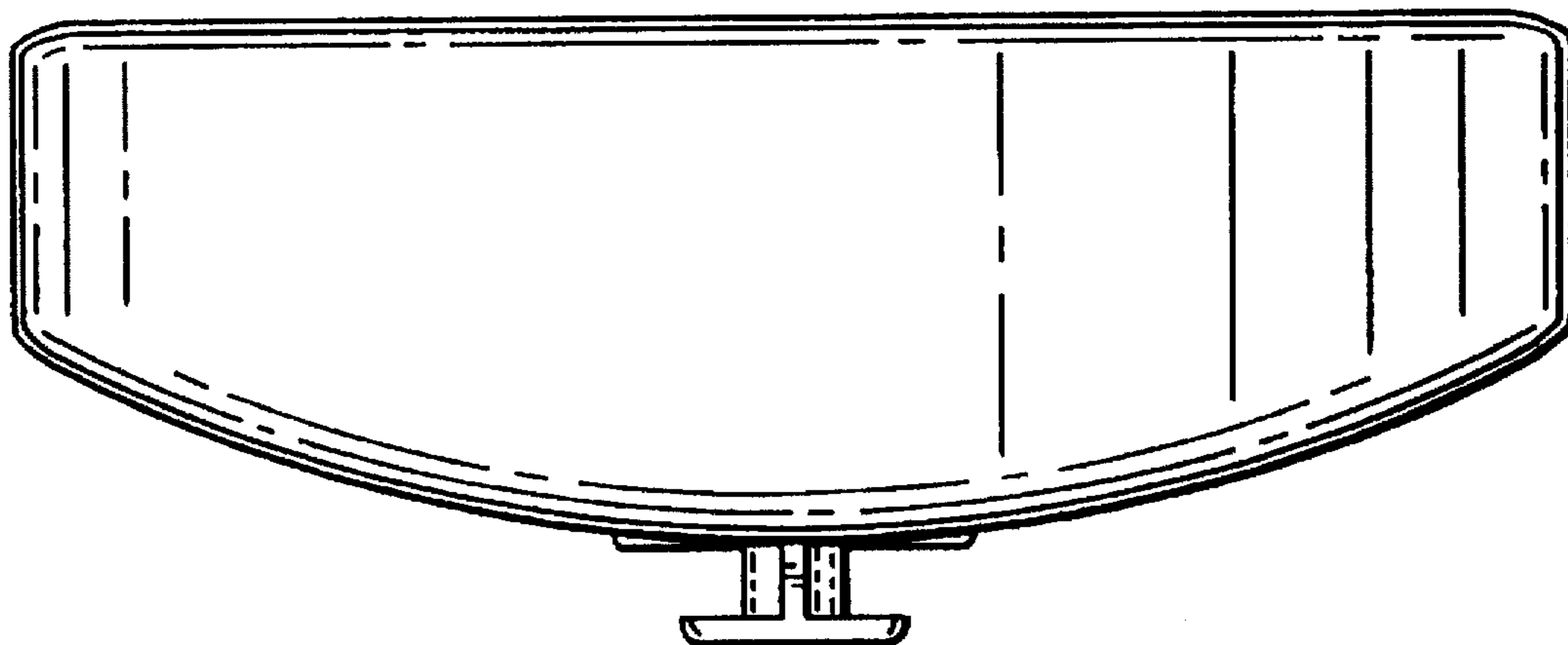


Fig. 5

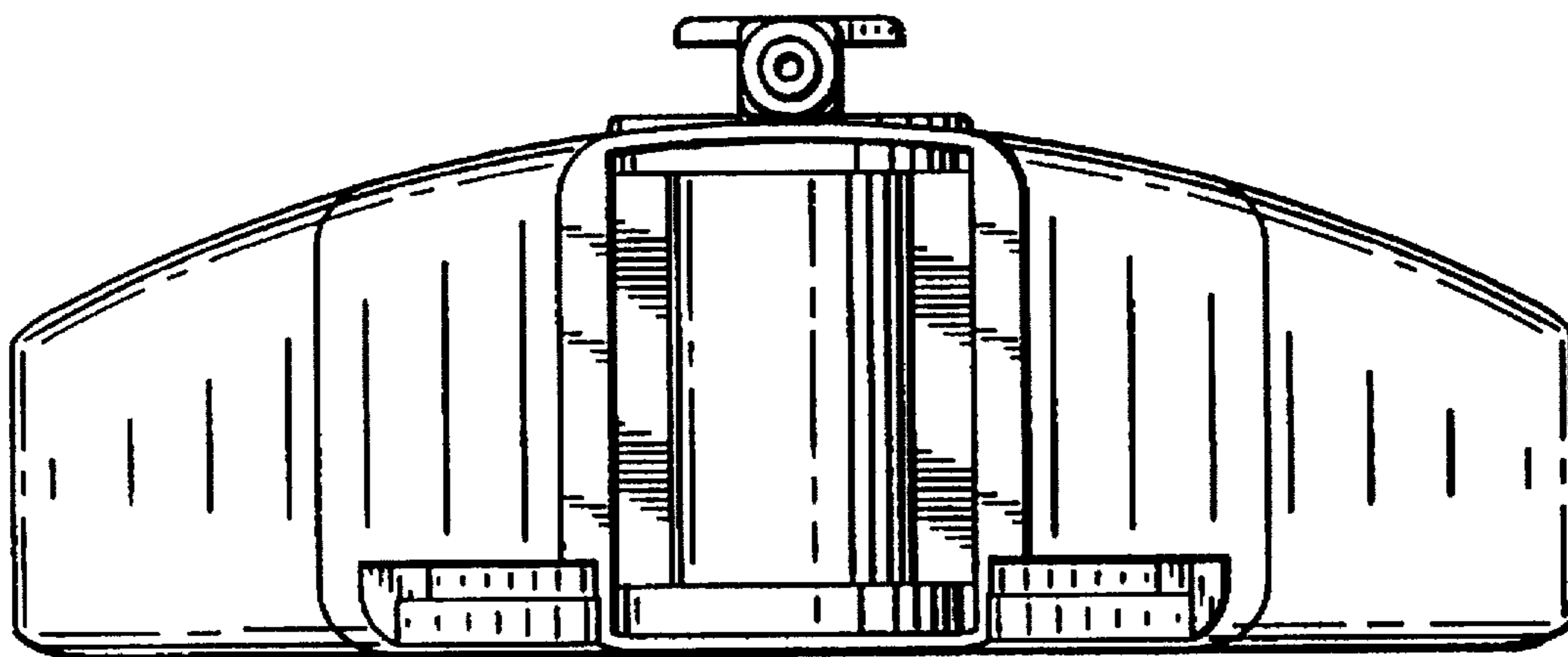


Fig. 6