



US00D383630S

United States Patent [19]
Goodman

[11] **Patent Number: Des. 383,630**

[45] **Date of Patent: **Sep. 16, 1997**

[54] **TOILET PAPER HOLDER**

[76] **Inventor: Sheldon H. Goodman, 30905 Stratford, Solon, Ohio 44139**

[**] **Term: 14 Years**

[21] **Appl. No.: 55,321**

[22] **Filed: Jun. 5, 1996**

[51] **LOC (6) Cl. 06-02**

[52] **U.S. Cl. D6/523**

[58] **Field of Search D6/522, 523; 211/13, 211/16, 86-87, 105.2, 123; 242/570, 590, 595, 597**

[56] **References Cited**

U.S. PATENT DOCUMENTS

- D. 302,222 7/1989 Joss et al. D6/523
- D. 304,402 11/1989 Van Hoose D6/523

- D. 310,479 9/1990 Speetzen D6/566 X
- D. 314,108 1/1991 Chap et al. D6/523

Primary Examiner—Brian N. Vinson
Attorney, Agent, or Firm—Pearne, Gordon, McCoy & Granger

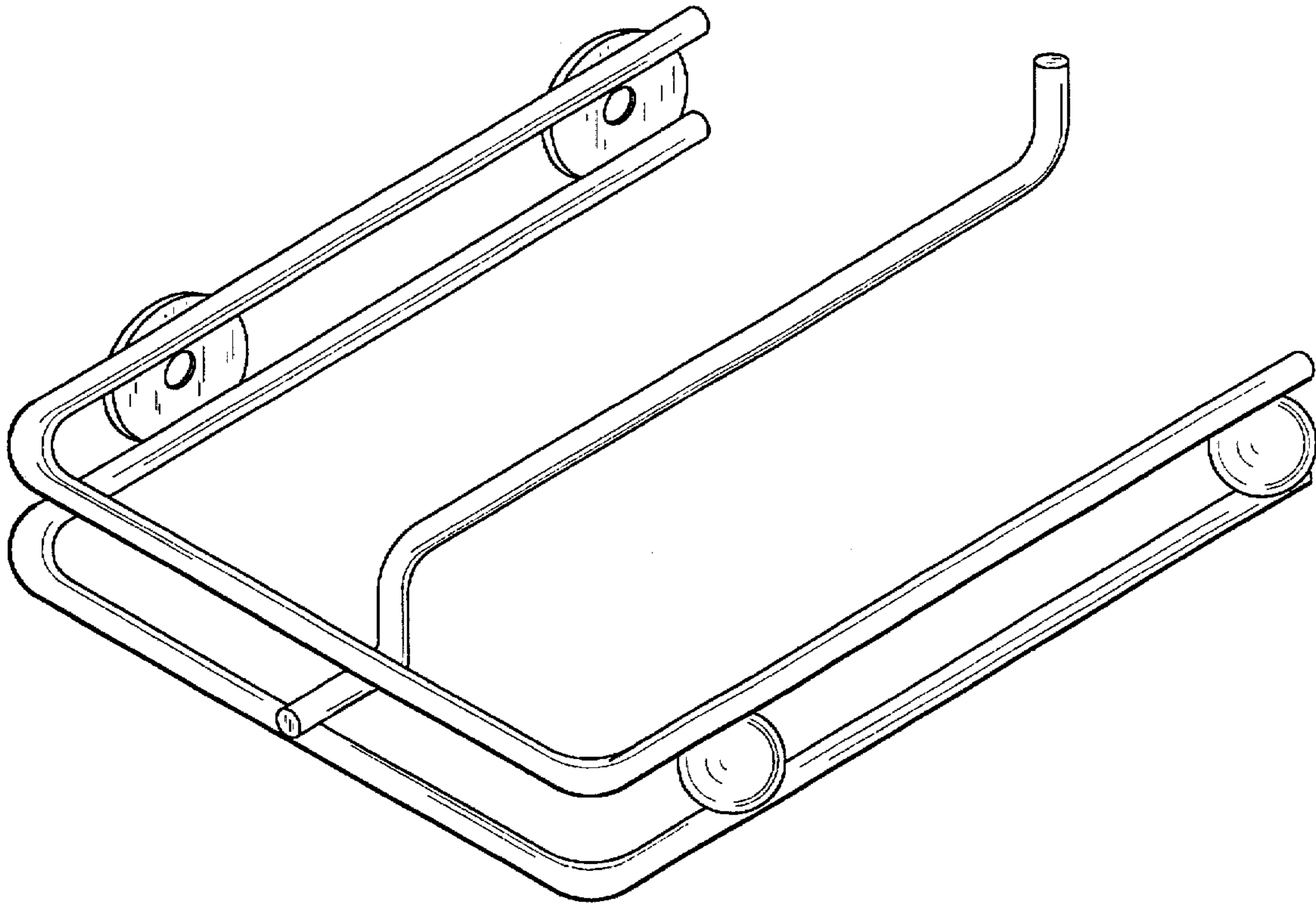
[57] **CLAIM**

The ornamental design for a toilet paper holder, as shown and described.

DESCRIPTION

FIG. 1 is a left side, top and front perspective view of a toilet paper holder showing my new design; FIG. 2 is a top plan view thereof; FIG. 3 is a front elevational view thereof; FIG. 4 is a right side elevational view thereof; FIG. 5 is a left side elevational view thereof; FIG. 6 is a rear elevational view thereof; and, FIG. 7 is a bottom plan view thereof.

1 Claim, 3 Drawing Sheets



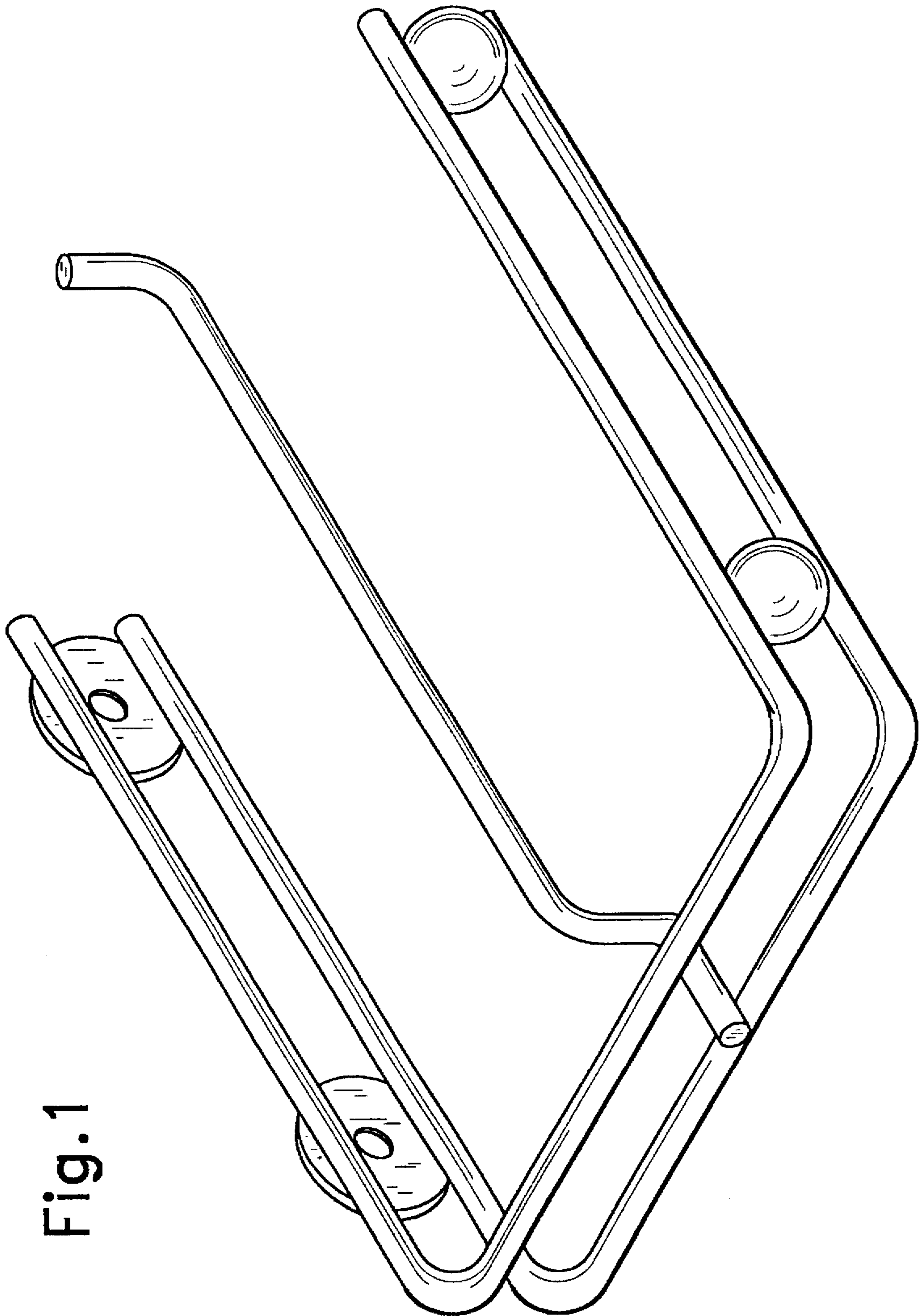


Fig. 1

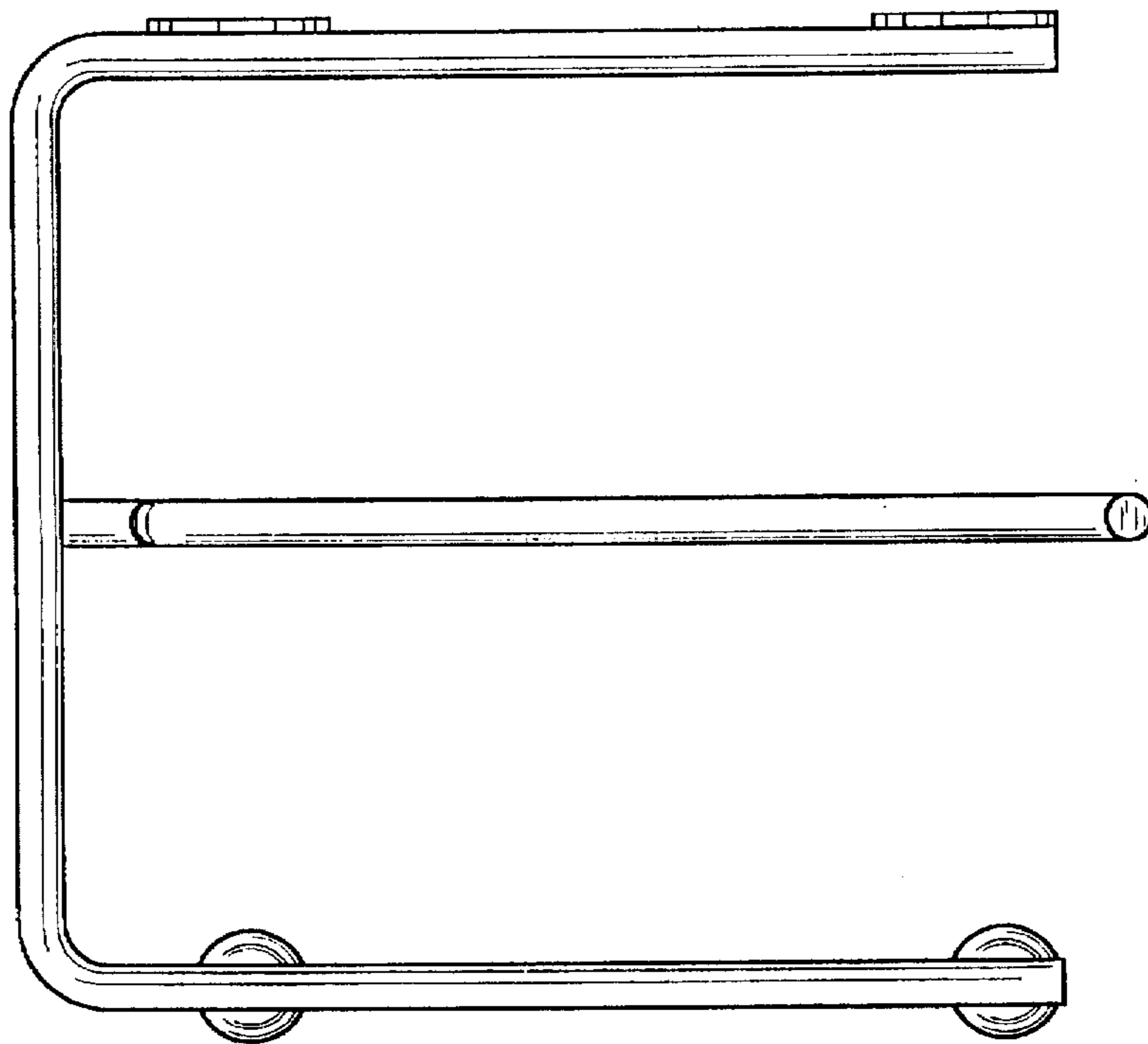


Fig. 2

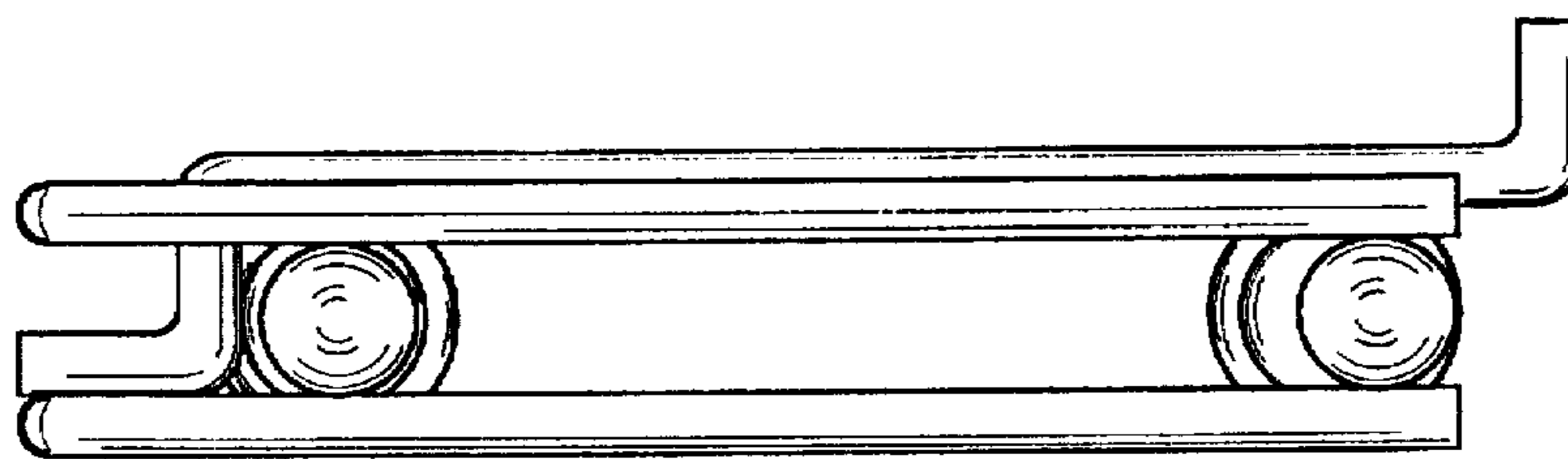


Fig. 3

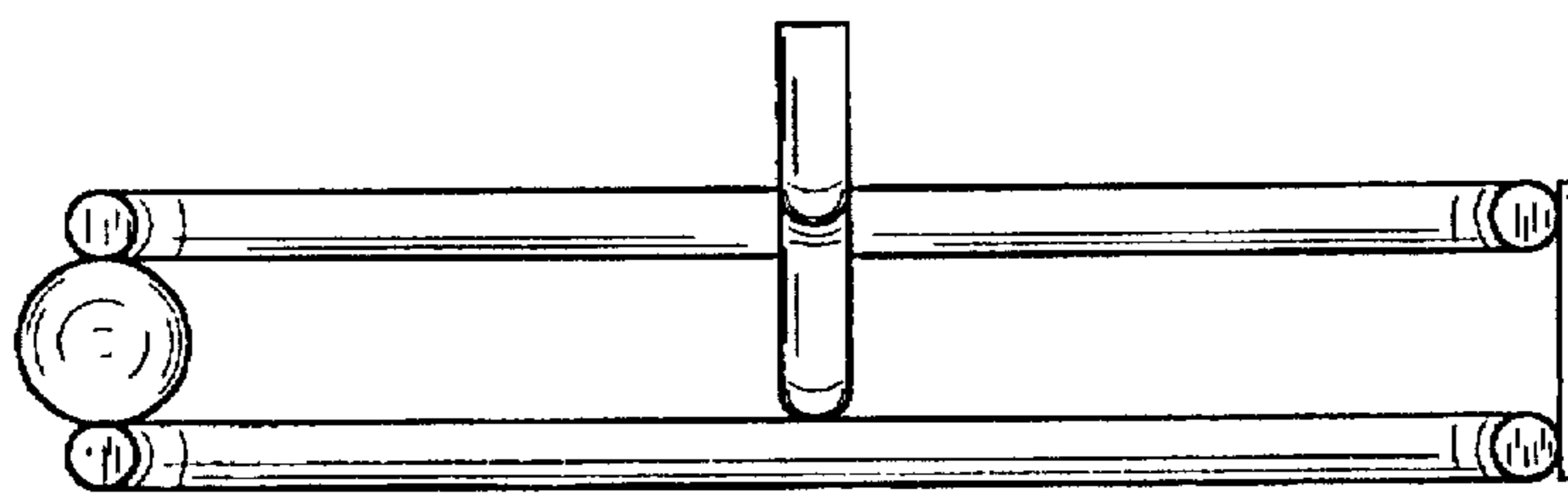


Fig. 4

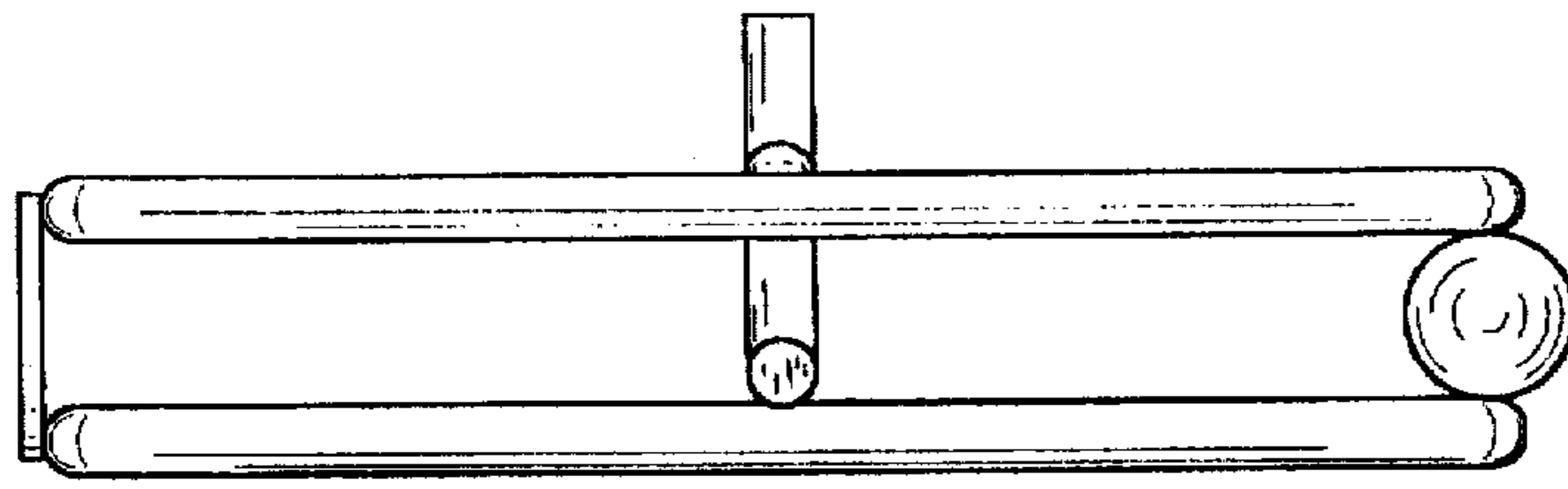


Fig. 5

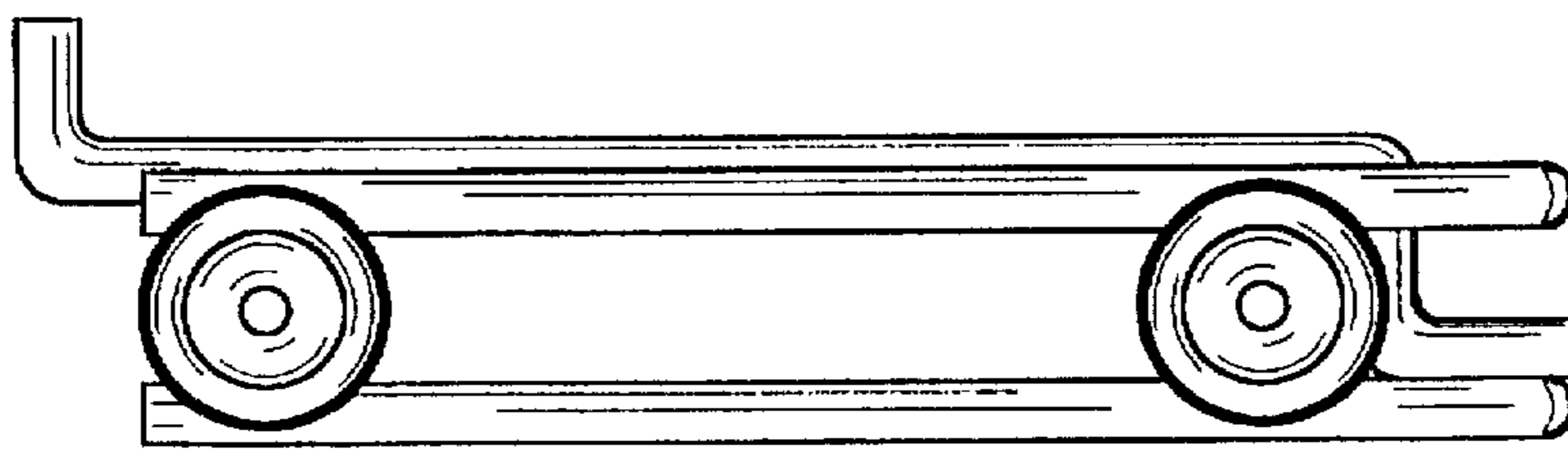


Fig. 6

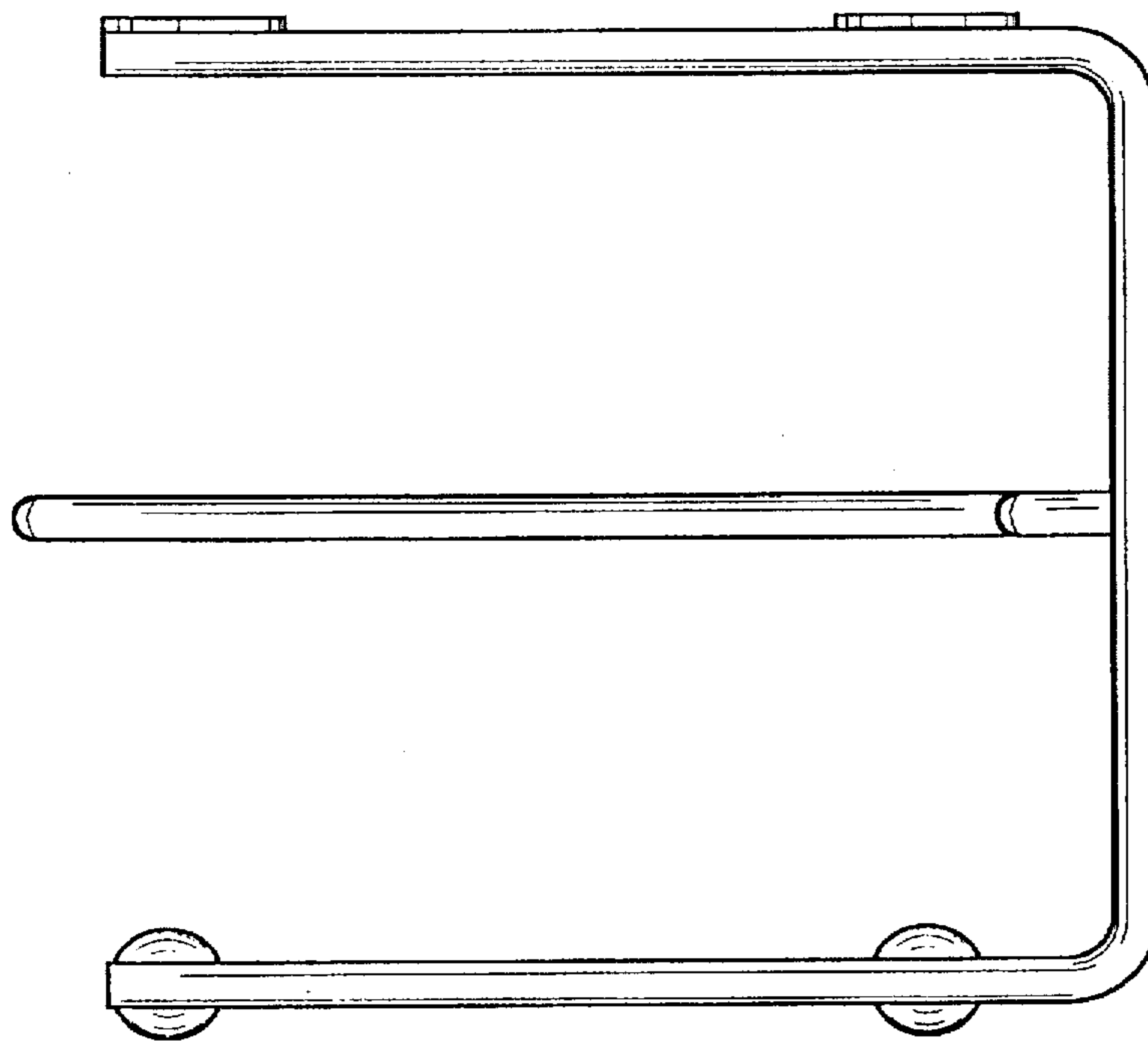


Fig. 7