



US00D383621S

United States Patent [19]
Corpuz, Jr.

[11] **Patent Number: Des. 383,621**
[45] **Date of Patent: **Sep. 16, 1997**

[54] **MONITOR SUPPORT**

4,569,498 2/1986 Ermanski 248/441.1
4,783,036 11/1988 Vossoughi 248/281.1

[75] **Inventor: Roque Matias Corpuz, Jr.** Grand Rapids, Mich.

Primary Examiner—Carmen H. Vales-Lado
Attorney, Agent, or Firm—Flynn, Thiel, Boutell & Tanis, P.C.

[73] **Assignee: Haworth, Inc.**, Holland, Mich.

[**] **Term: 14 Years**

[57] **CLAIM**

The ornamental design for a monitor support, as shown and described.

[21] **Appl. No.: 52,783**

[22] **Filed: Apr. 5, 1996**

DESCRIPTION

[51] **LOC (6) Cl. 06-06**

[52] **U.S. Cl. D6/418**

[58] **Field of Search** D6/418, 422-428, D6/406; 108/10, 139, 6, 8, 152, 157; 248/282.1, 281.1, 441.1, 447.1, 461, 447.2, 448

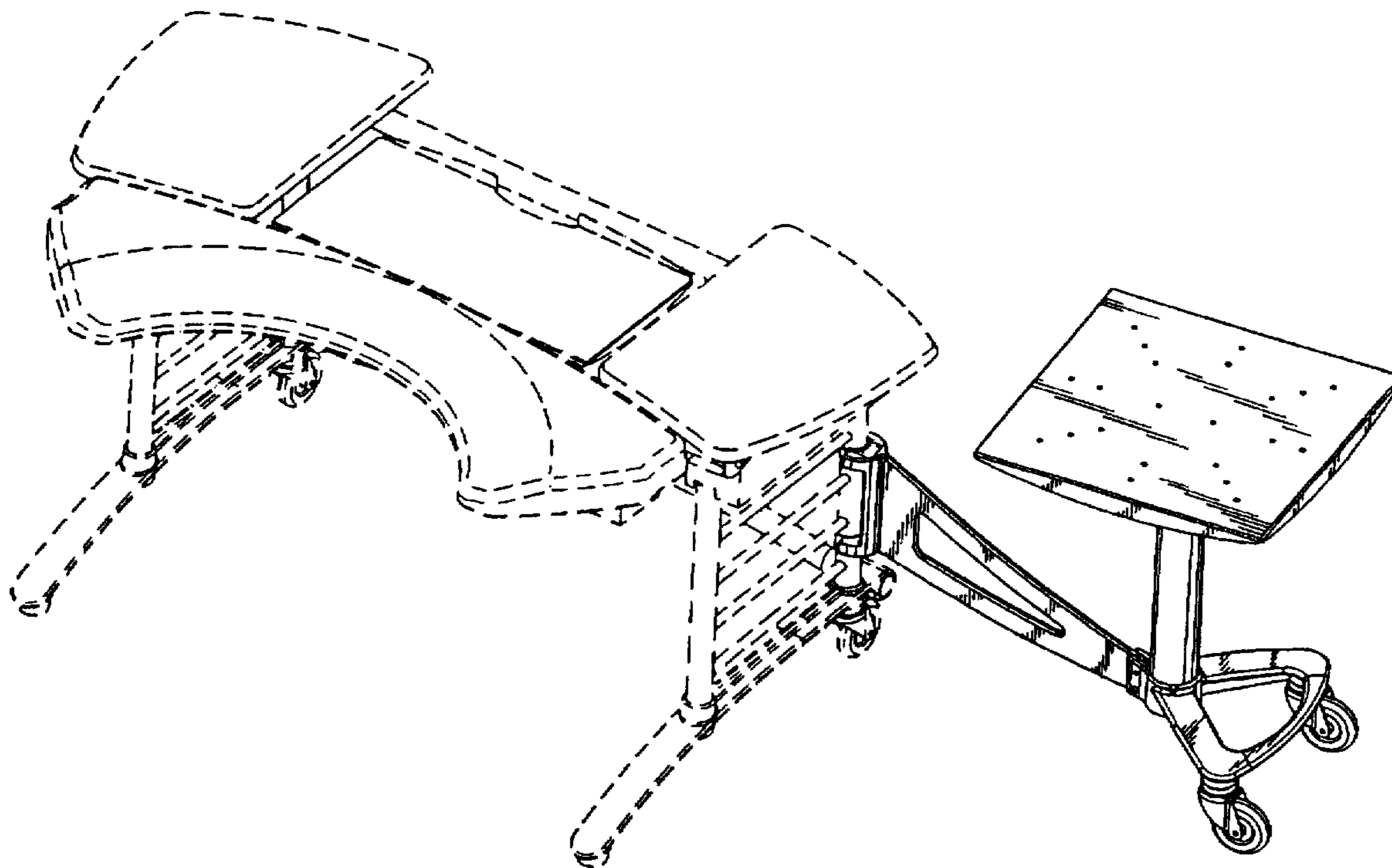
FIG. 1 is a top, front and right perspective view of a monitor support showing my new design;
FIG. 2 is a top, right and rear perspective view thereof;
FIG. 3 is a front view thereof;
FIG. 4 is a rear view thereof;
FIG. 5 is a top plan view thereof;
FIG. 6 is a bottom plan view thereof;
FIG. 7 is a left view thereof;
FIG. 8 is a right view thereof; and,
FIG. 9 is a top, front and right perspective view, the broken line showing of a desk is for environmental purposes only and forms no part of the claimed design.

[56] **References Cited**

U.S. PATENT DOCUMENTS

D. 215,857 11/1969 Olson D6/418
D. 227,069 6/1973 Webb D6/418
D. 292,150 10/1987 Restin et al. D6/418
D. 311,829 11/1990 Vossoughi D6/418

1 Claim, 7 Drawing Sheets



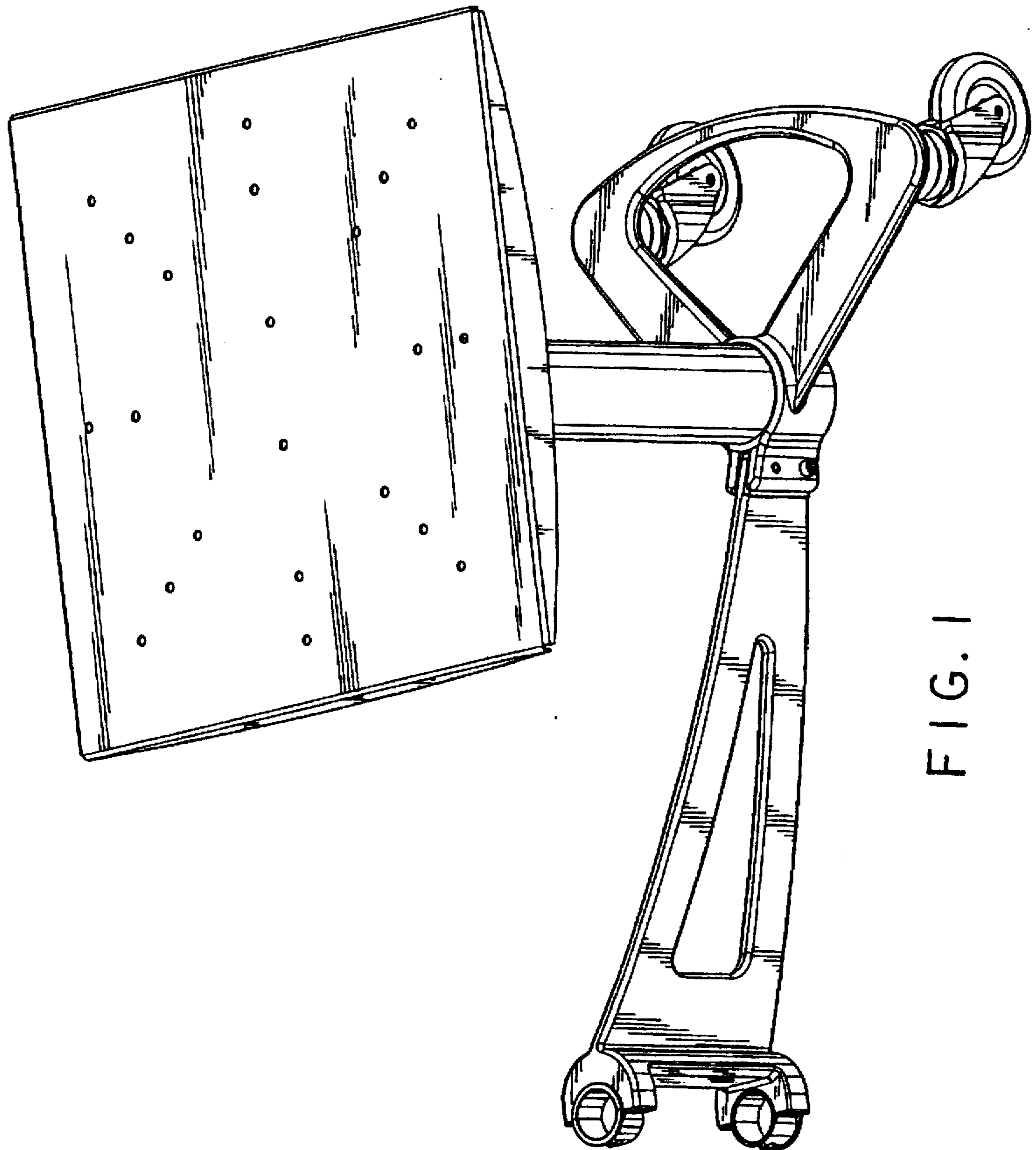


FIG. 1

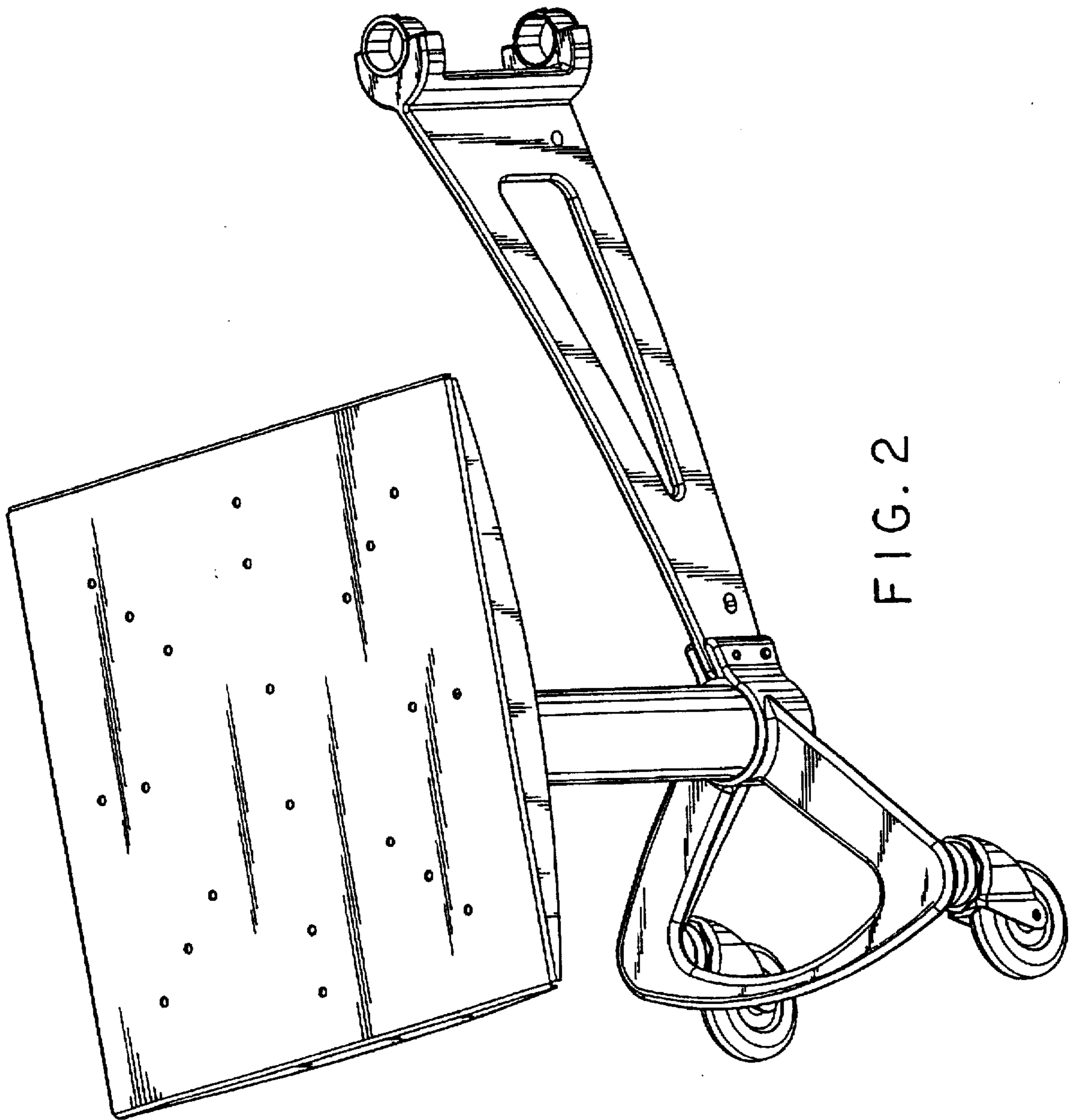


FIG. 2

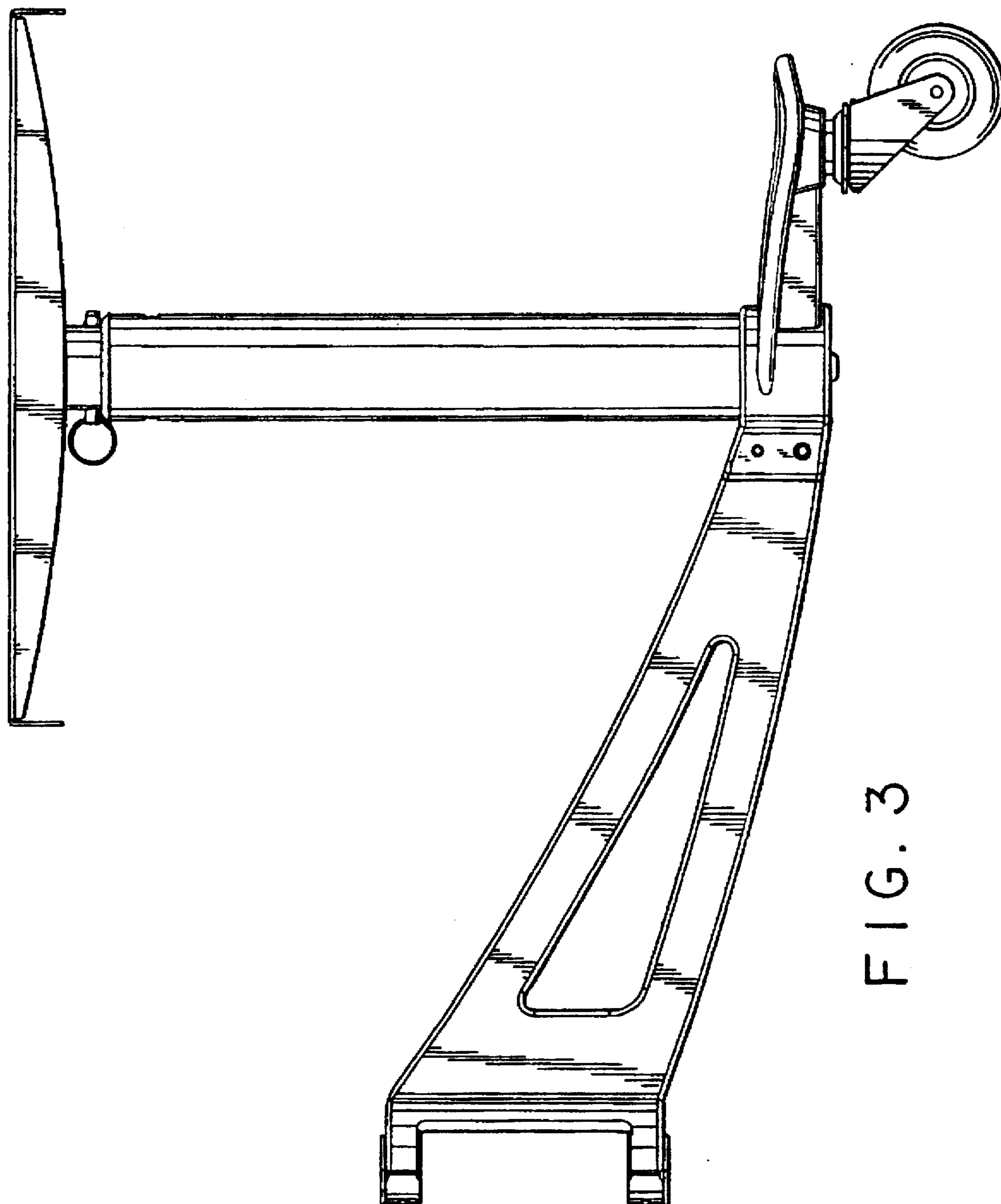


FIG. 3

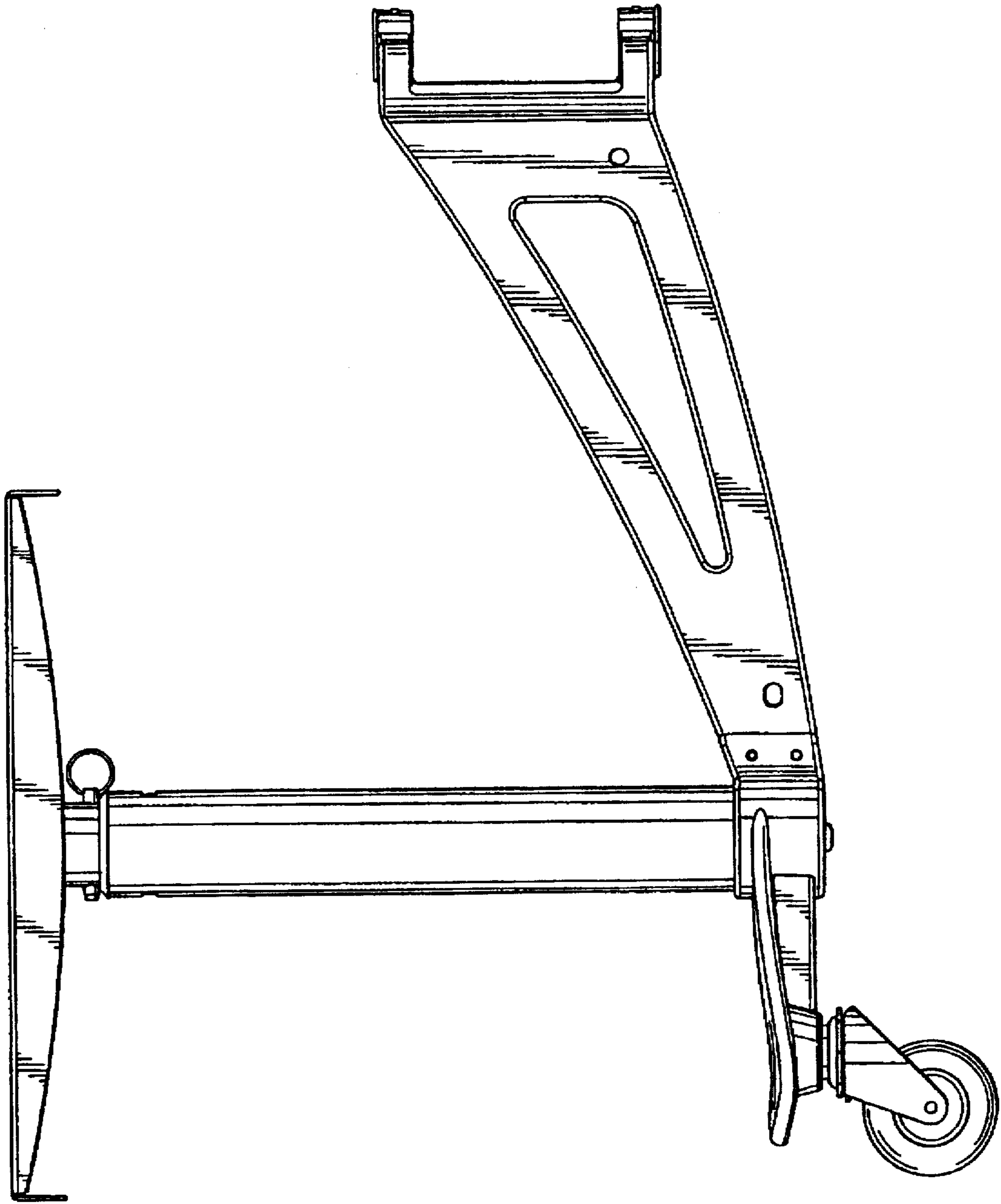


FIG. 4

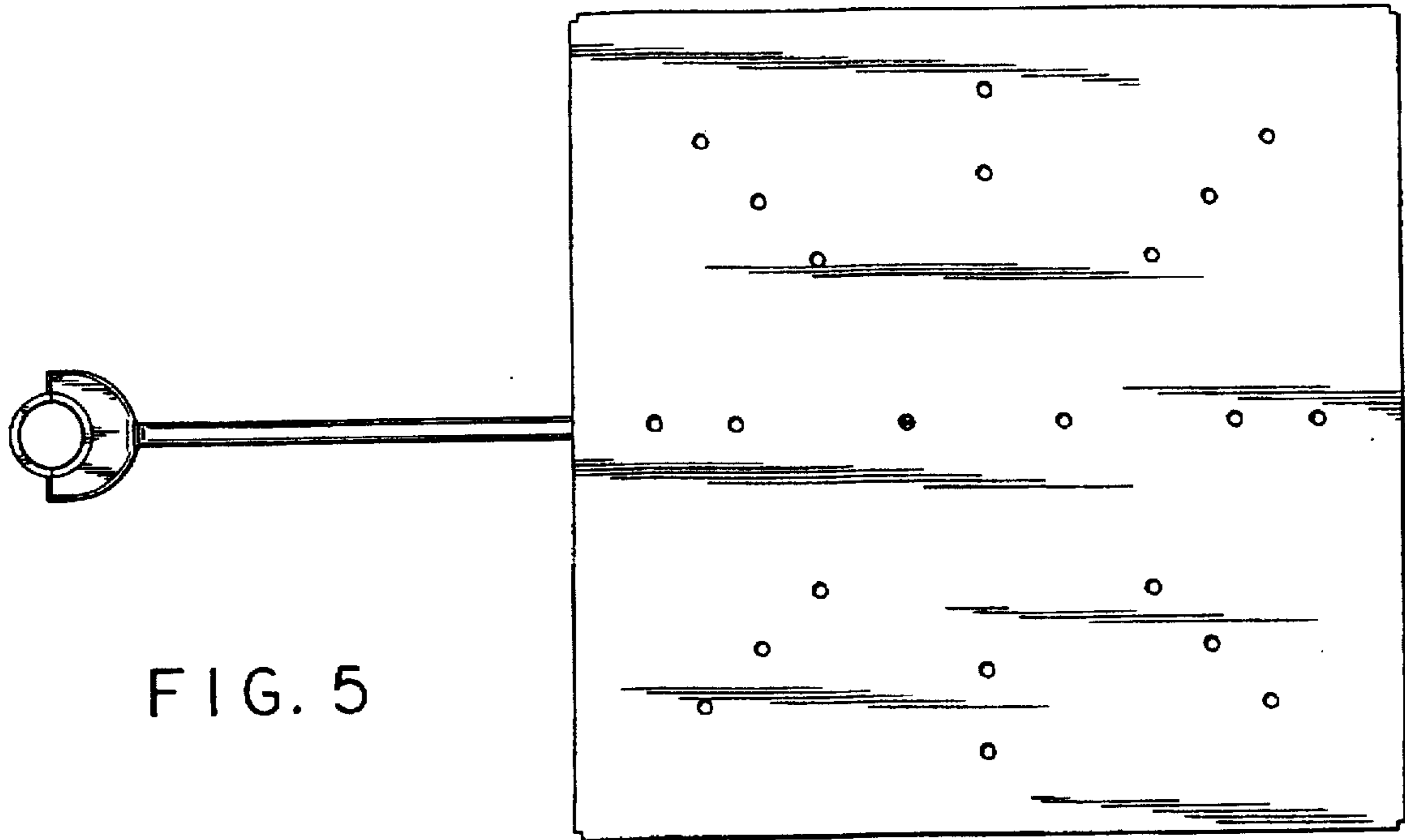


FIG. 5

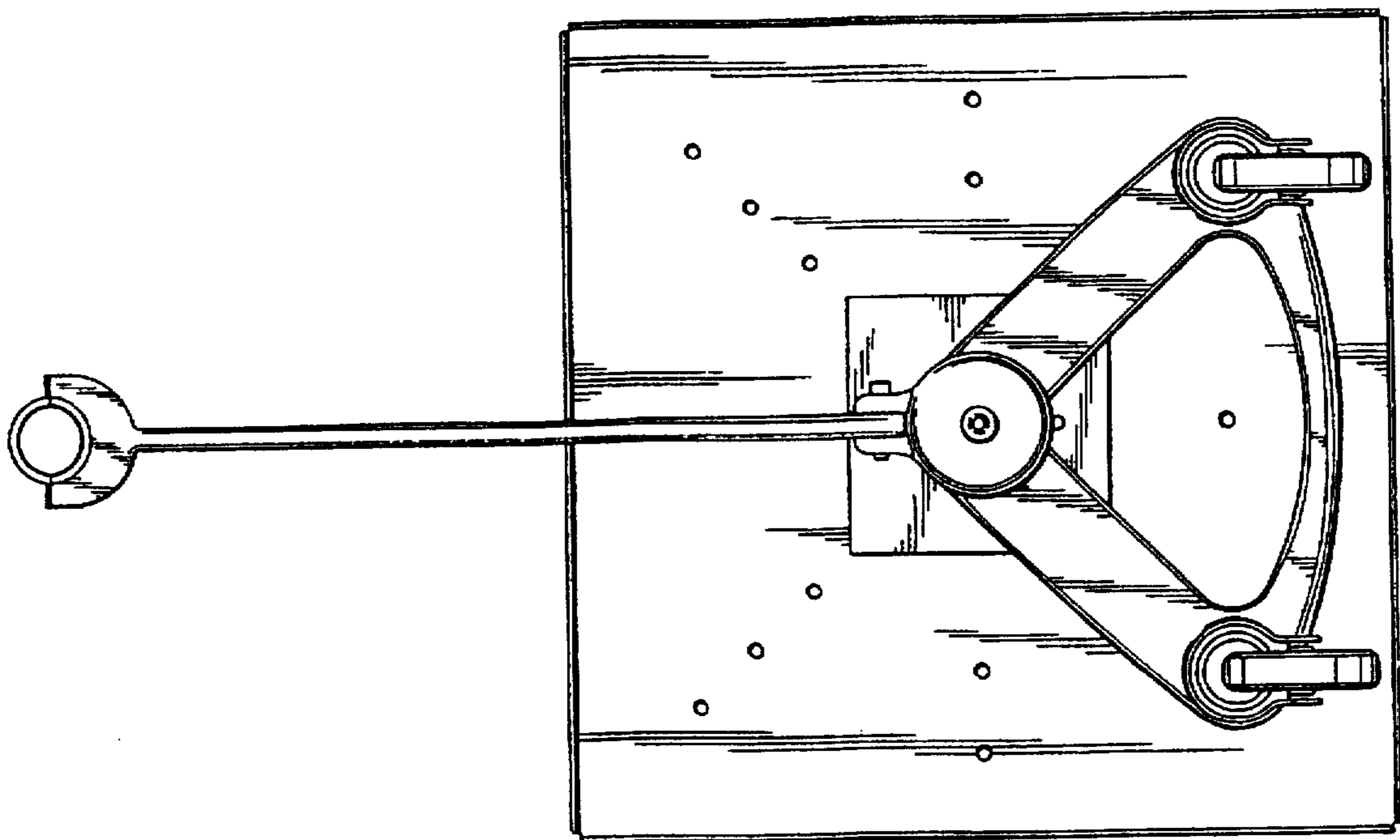


FIG. 6

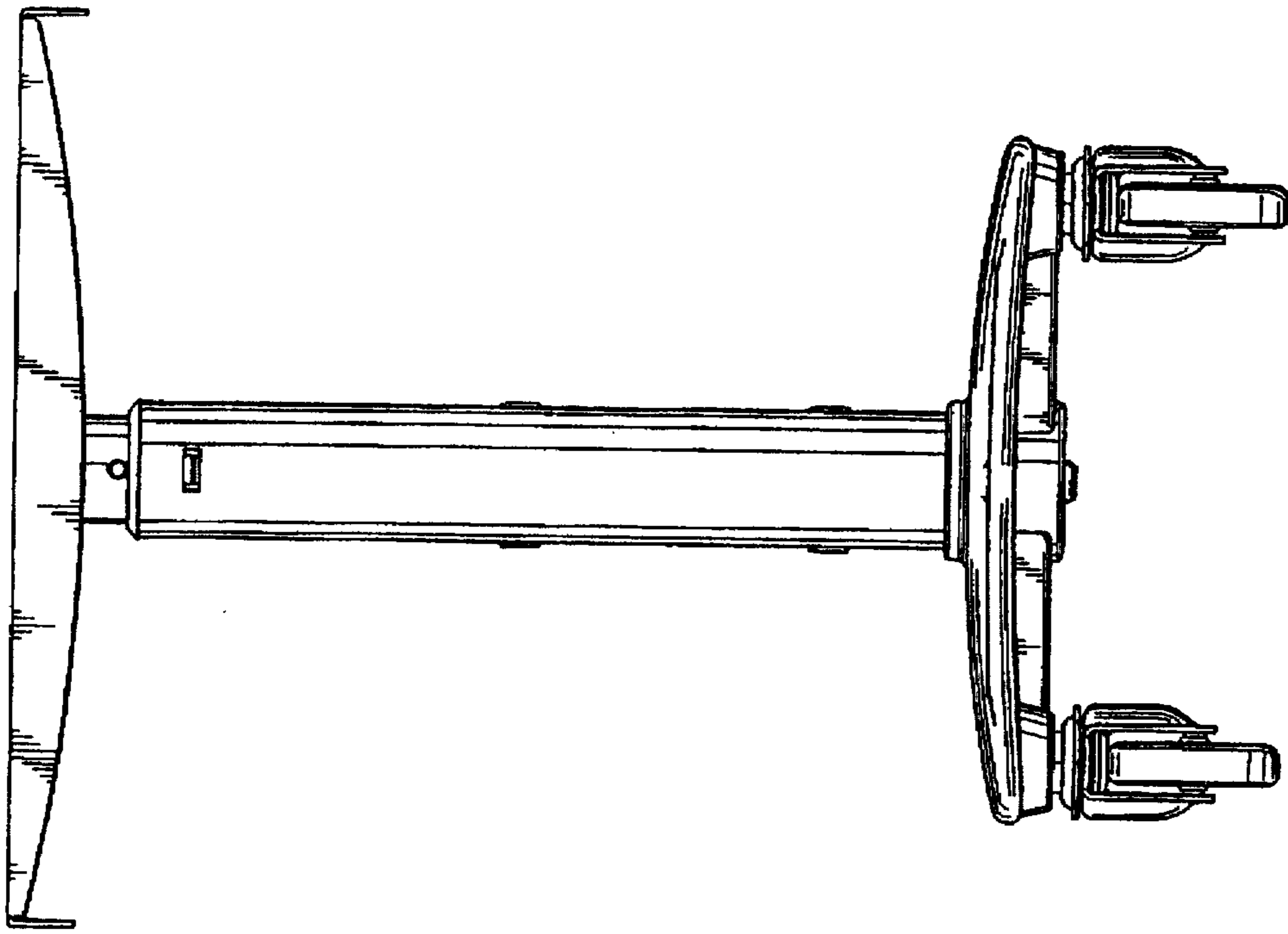


FIG. 8

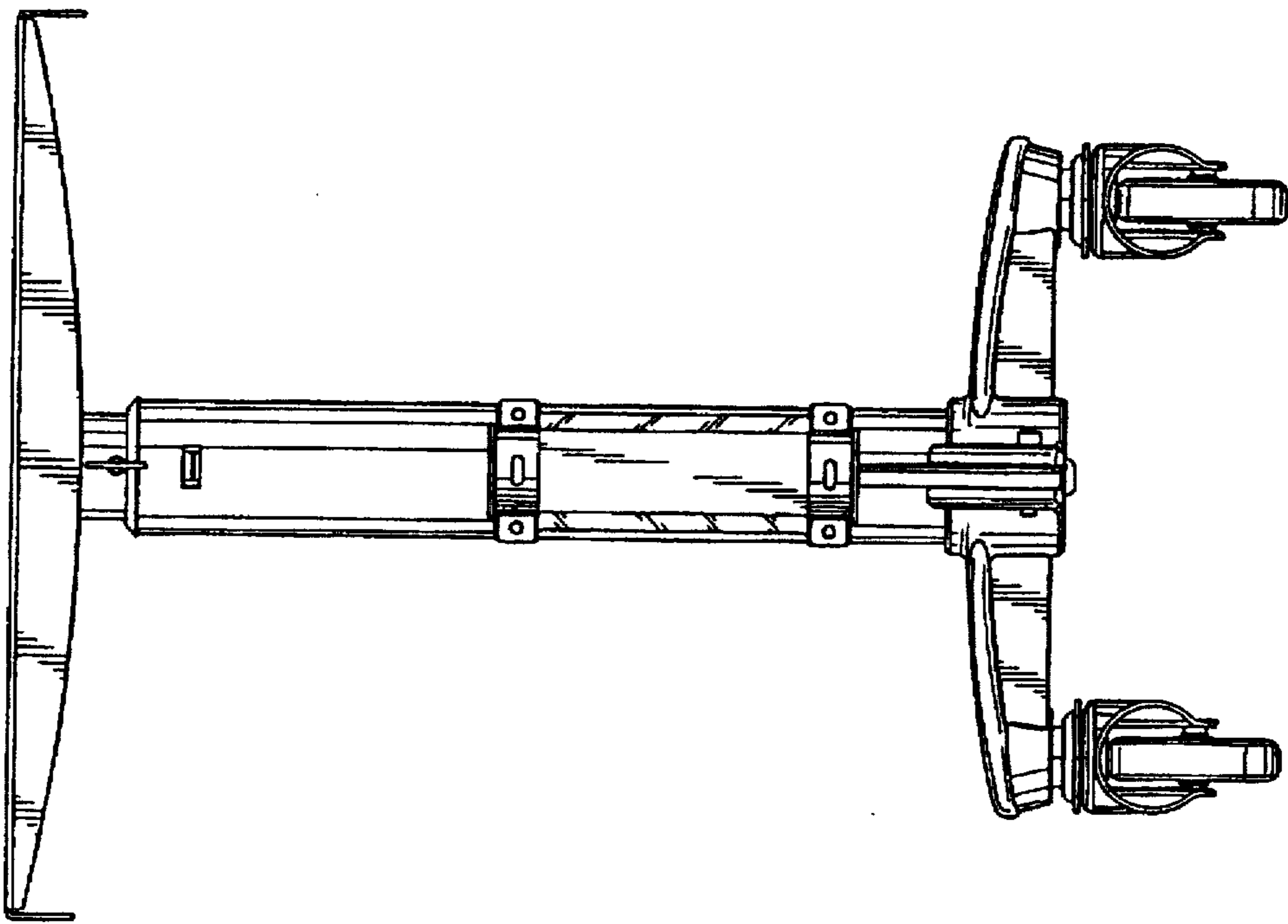


FIG. 7

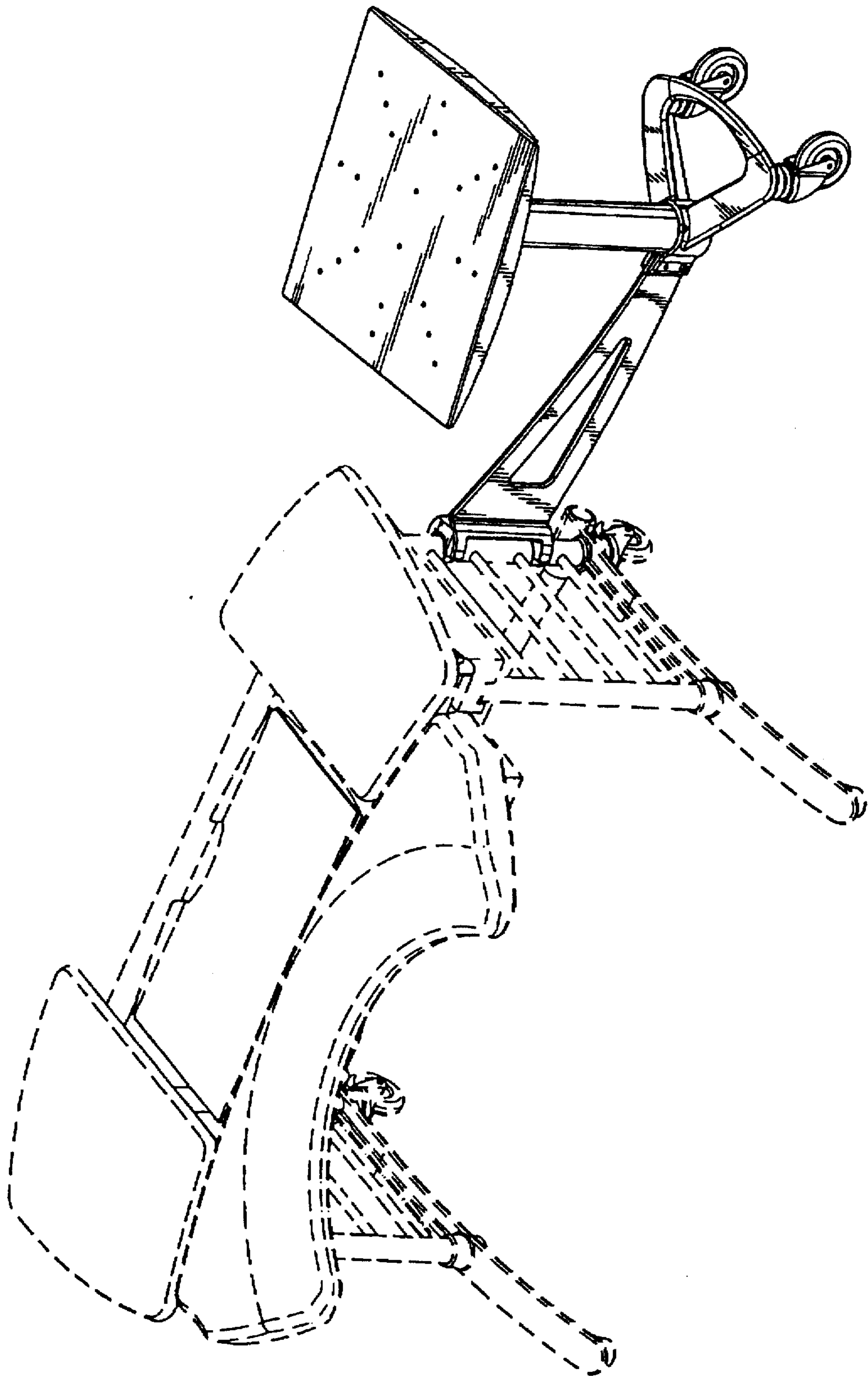


FIG. 9