



US00D383617S

United States Patent [19]

Estapé et al.

[11] Patent Number: **Des. 383,617**

[45] Date of Patent: ****Sep. 16, 1997**

[54] CHAIR

[76] Inventors: **Jorge Estapé; Joyce Estapé**, both of
2453 San Pasqual Valley Rd.,
Escondido, Calif. 92027

[**] Term: **14 Years**

[21] Appl. No.: **52,582**

[22] Filed: **Mar. 29, 1996**

[51] LOC (6) Cl. **06-01**

[52] U.S. Cl. **D6/380; D6/334; D6/358**

[58] Field of Search **D6/334, 345, 351,
D6/358, 359, 374, 379, 380, 500, 501,
502; 297/446.1**

[56] **References Cited**

U.S. PATENT DOCUMENTS

| | | | |
|------------|---------|----------------|--------|
| D. 72,464 | 4/1927 | Antrobus | D6/358 |
| D. 233,101 | 10/1974 | Katoda | D6/380 |
| D. 234,065 | 1/1975 | Onoguchi | D6/380 |

OTHER PUBLICATIONS

Chairs and Couches by Curtis, ©1977. p. 34, chair at bottom center.

Chairs and Couches by Curtis, ©1977. p. 43, Chair at far left middle.

Primary Examiner—Gary D. Watson

Attorney, Agent, or Firm—Brown, Martin, Haller & McClain

[57] **CLAIM**

The ornamental design for a chair, as shown and described.

DESCRIPTION

FIG. 1 is a perspective view of a chair showing our new design;

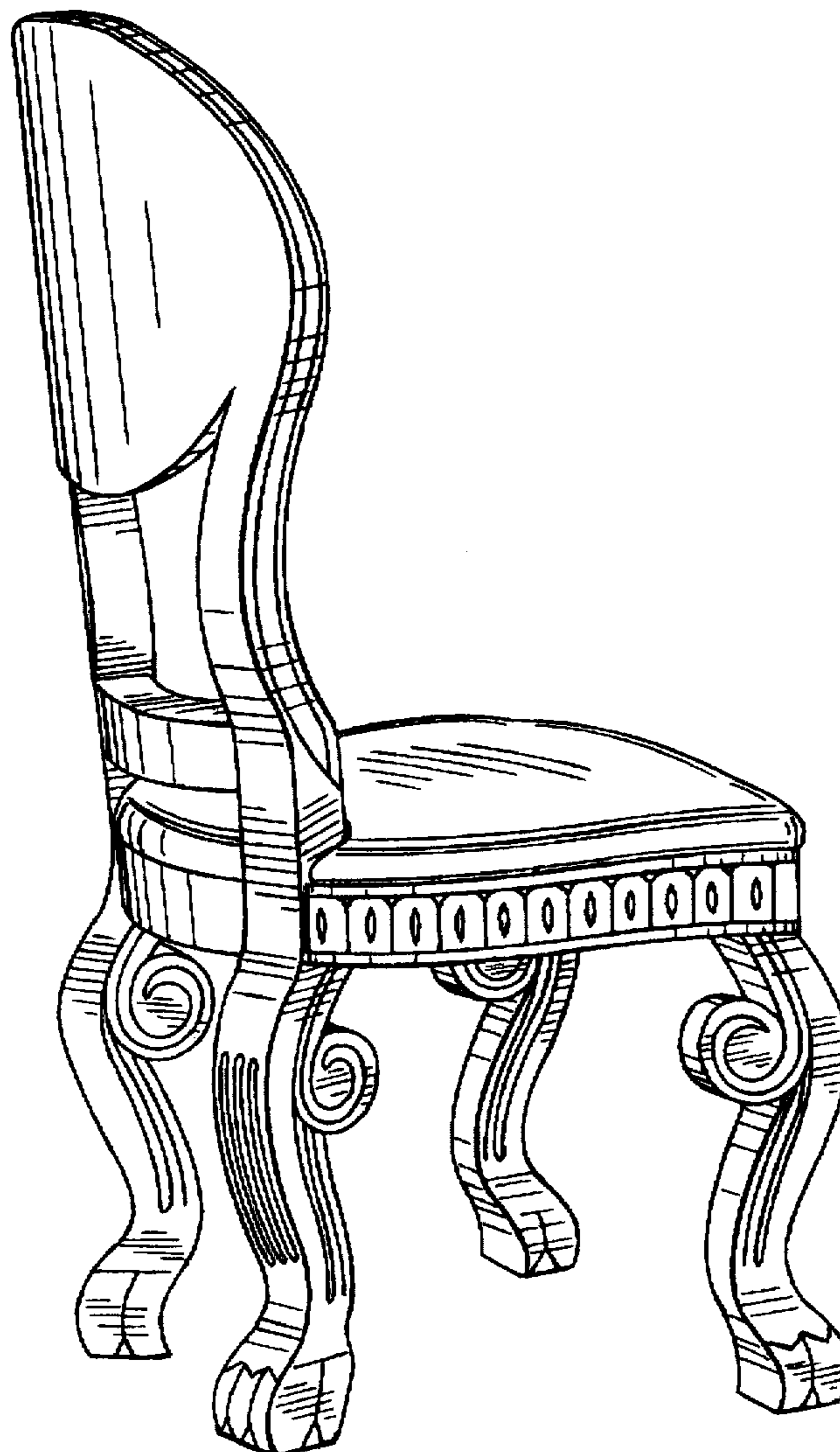
FIG. 2 is a side elevational view thereof, both sides being similar;

FIG. 3 is a front view thereof;

FIG. 4 is a rear view thereof; and,

FIG. 5 is a top plan view thereof.

1 Claim, 2 Drawing Sheets



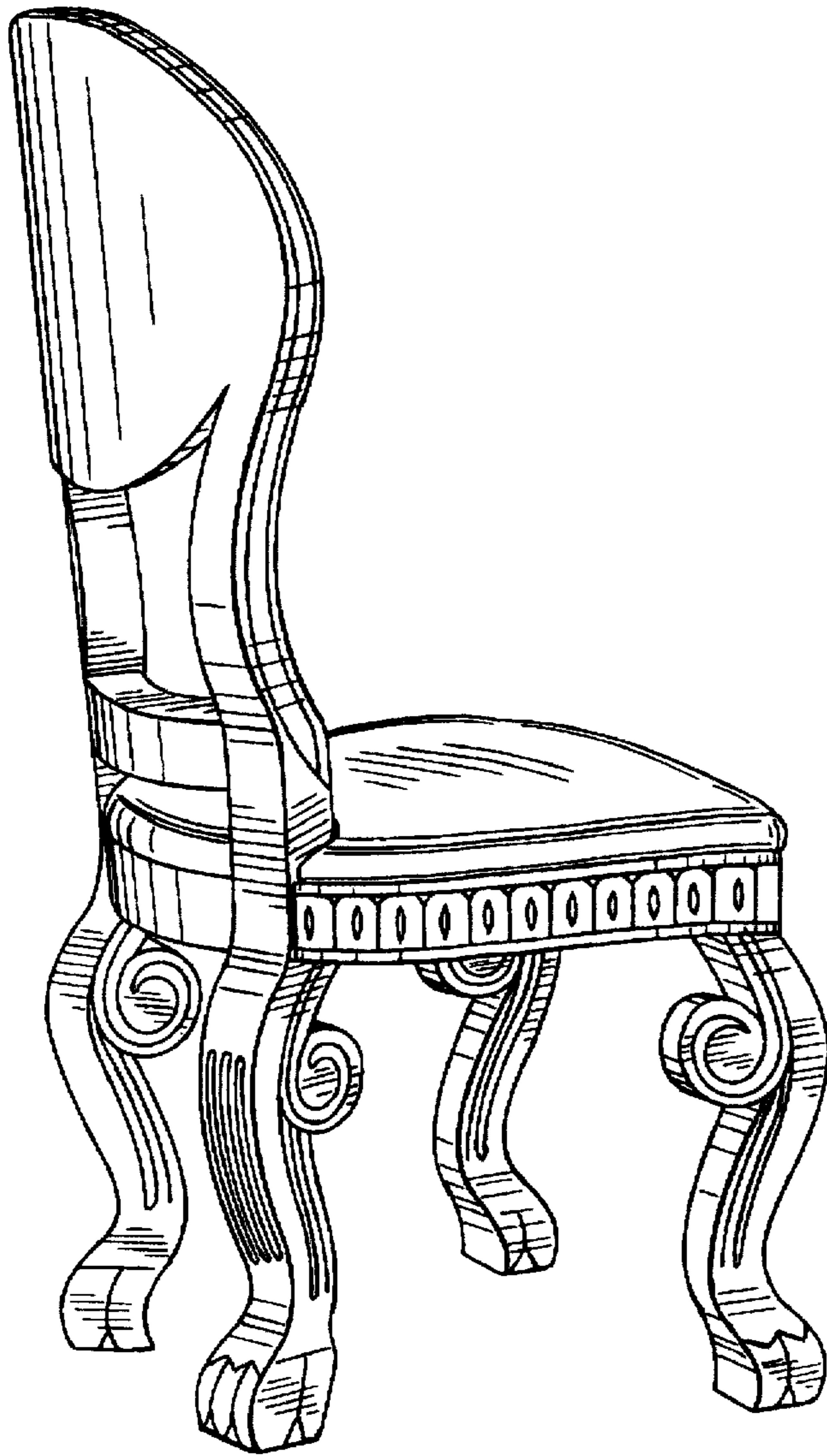


FIG. 1

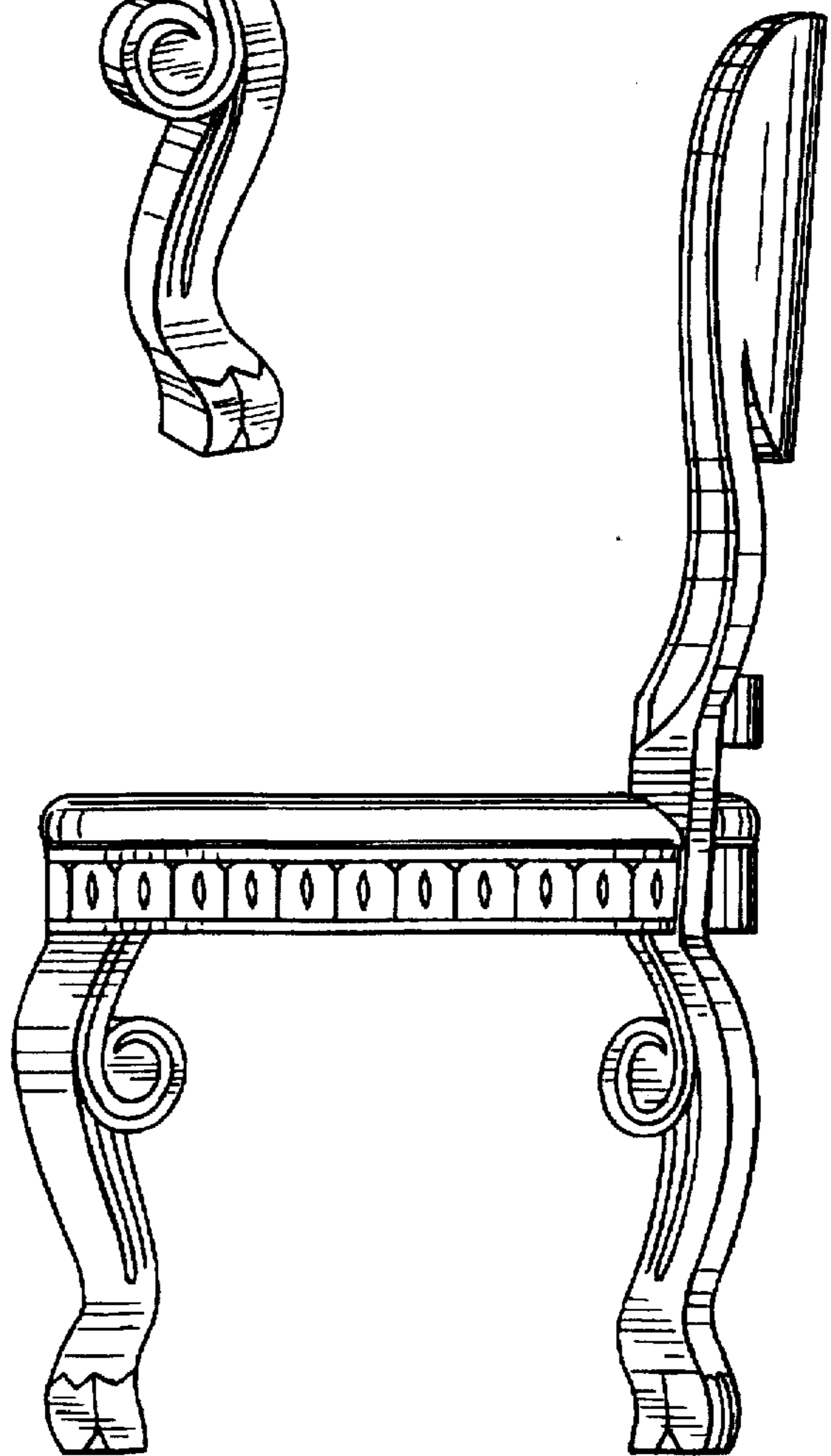


FIG. 2

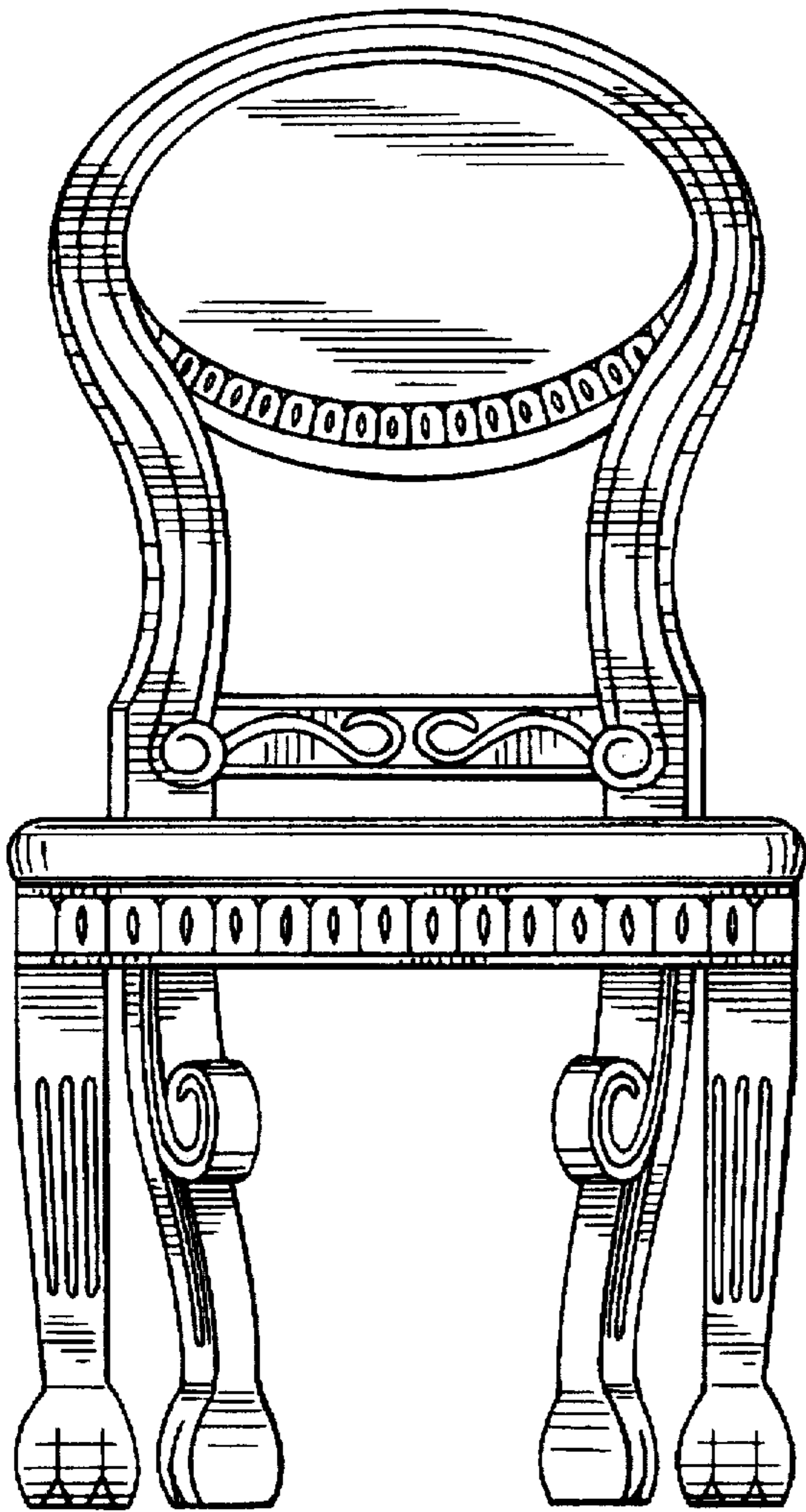


FIG. 3

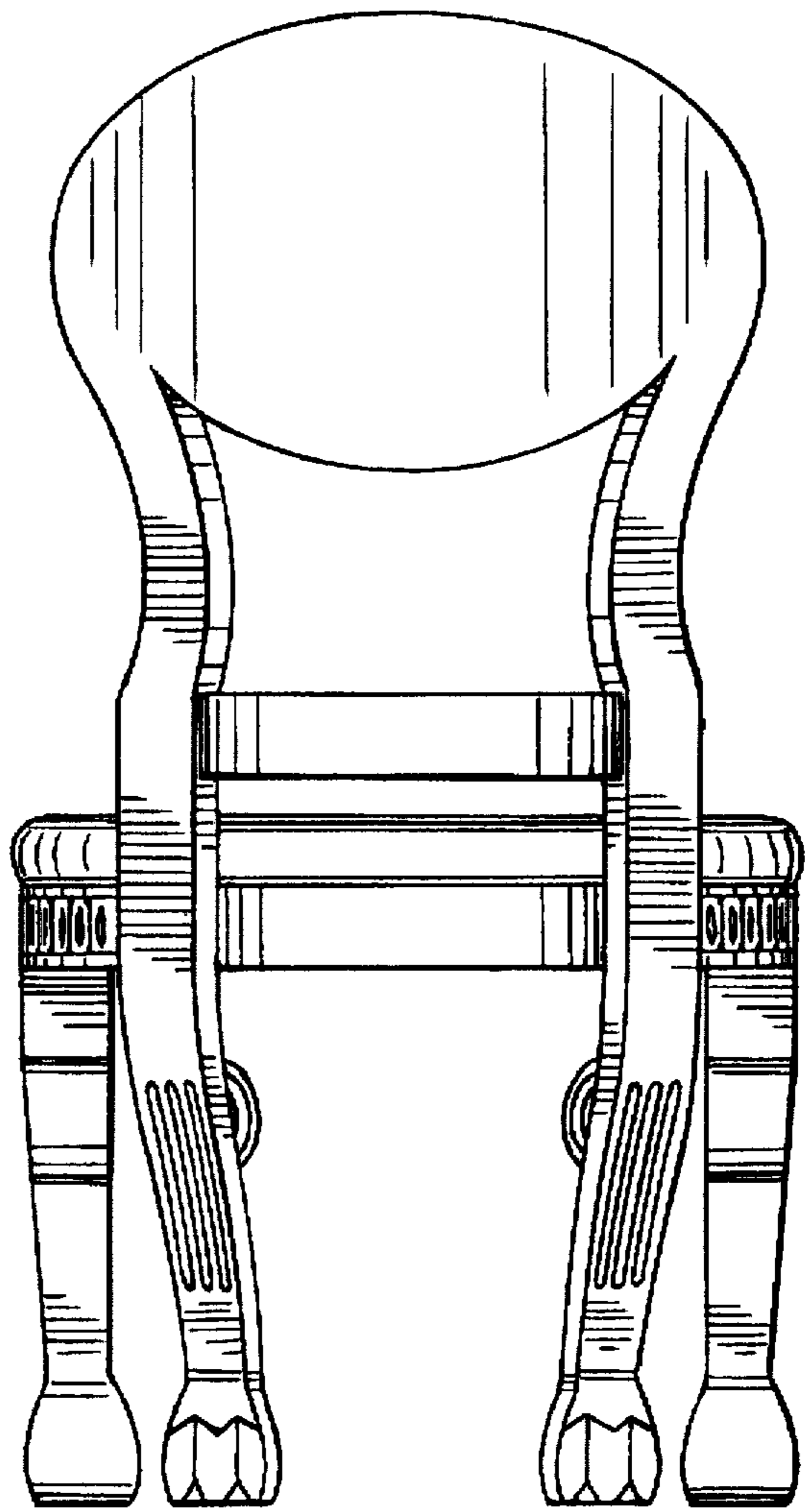


FIG. 4

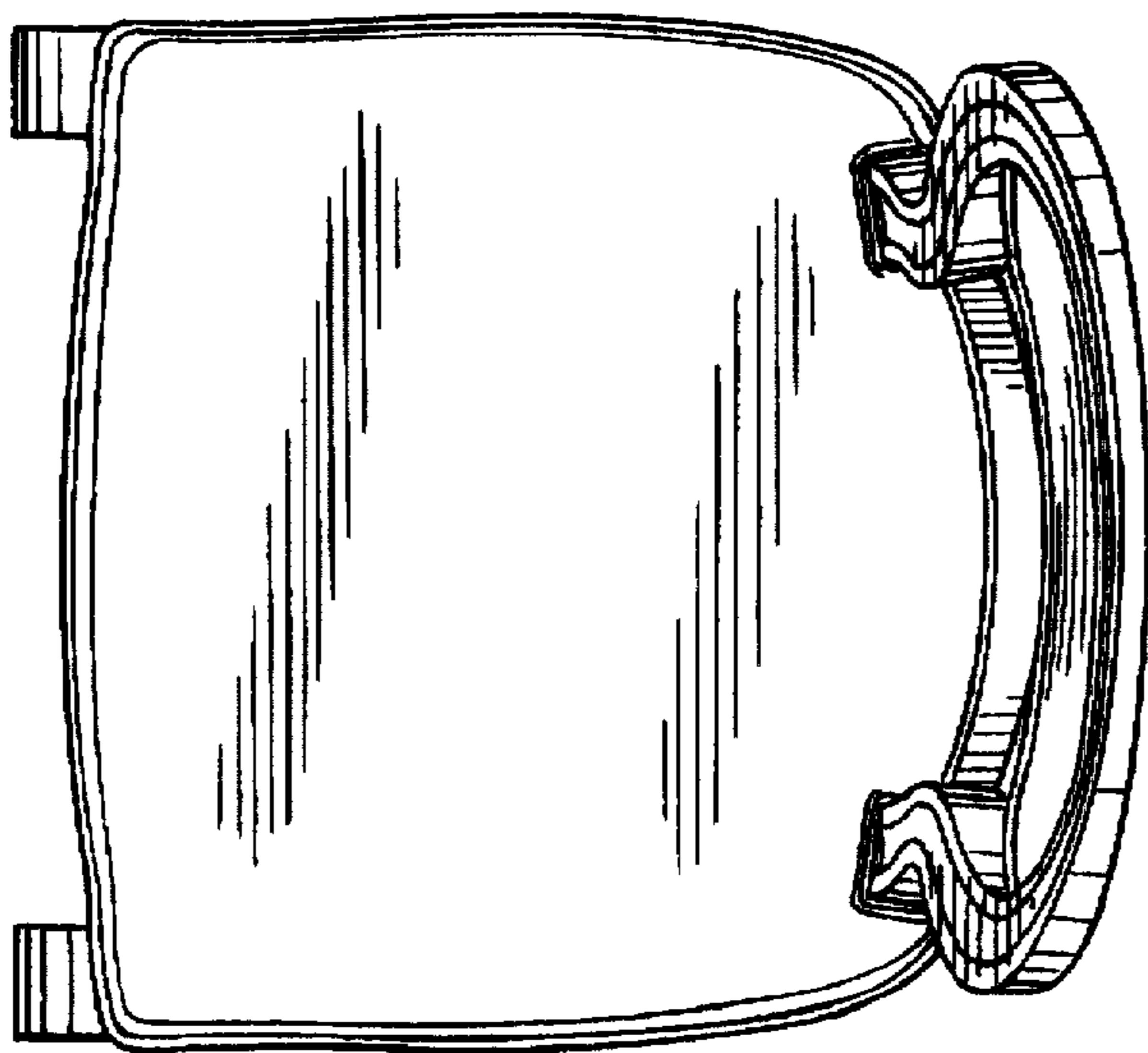


FIG. 5