



US00D383611S

United States Patent [19]

[11] Patent Number: Des. 383,611

Tsai

[45] Date of Patent: **Sep. 16, 1997

[54] **CLEANSING APPLICATOR FRAME AND HANDLE UNIT**

[76] Inventor: **Chin Liza Tsai**, 1th, No. 28-79, Yu Shan Road, Chia I City, Taiwan

[**] Term: 14 Years

[21] Appl. No.: 24,749

[22] Filed: Jun. 21, 1994

[51] LOC (6) Cl. 04-01

[52] U.S. Cl. D4/138; D4/114; D4/131

[58] Field of Search D4/114, 115, 128, D4/131, 137, 138; D32/40, 45; 15/143.1, 159.1, 160; 401/151, 268, 271, 278, 285, 289-291

[56] **References Cited**

U.S. PATENT DOCUMENTS

| | | | |
|-----------|---------|---------|---------|
| 1,118,774 | 11/1914 | Hunter | 401/285 |
| 1,173,721 | 2/1916 | Hurvitz | 401/278 |
| 1,551,484 | 8/1925 | Hanson | 401/290 |
| 2,815,522 | 12/1957 | Hexter | 401/151 |

Primary Examiner—A. Hugo Word
Assistant Examiner—Lavone Tabor
Attorney, Agent, or Firm—Peterson, Wicks, Nemer & Kamrath, P.A.

[57] **CLAIM**

The ornamental design for a cleansing applicator frame and handle unit, as shown and described.

DESCRIPTION

FIG. 1 is a top, left, front perspective view of the new design;

FIG. 2 is a front elevational view thereof, the rear elevational view being identical;

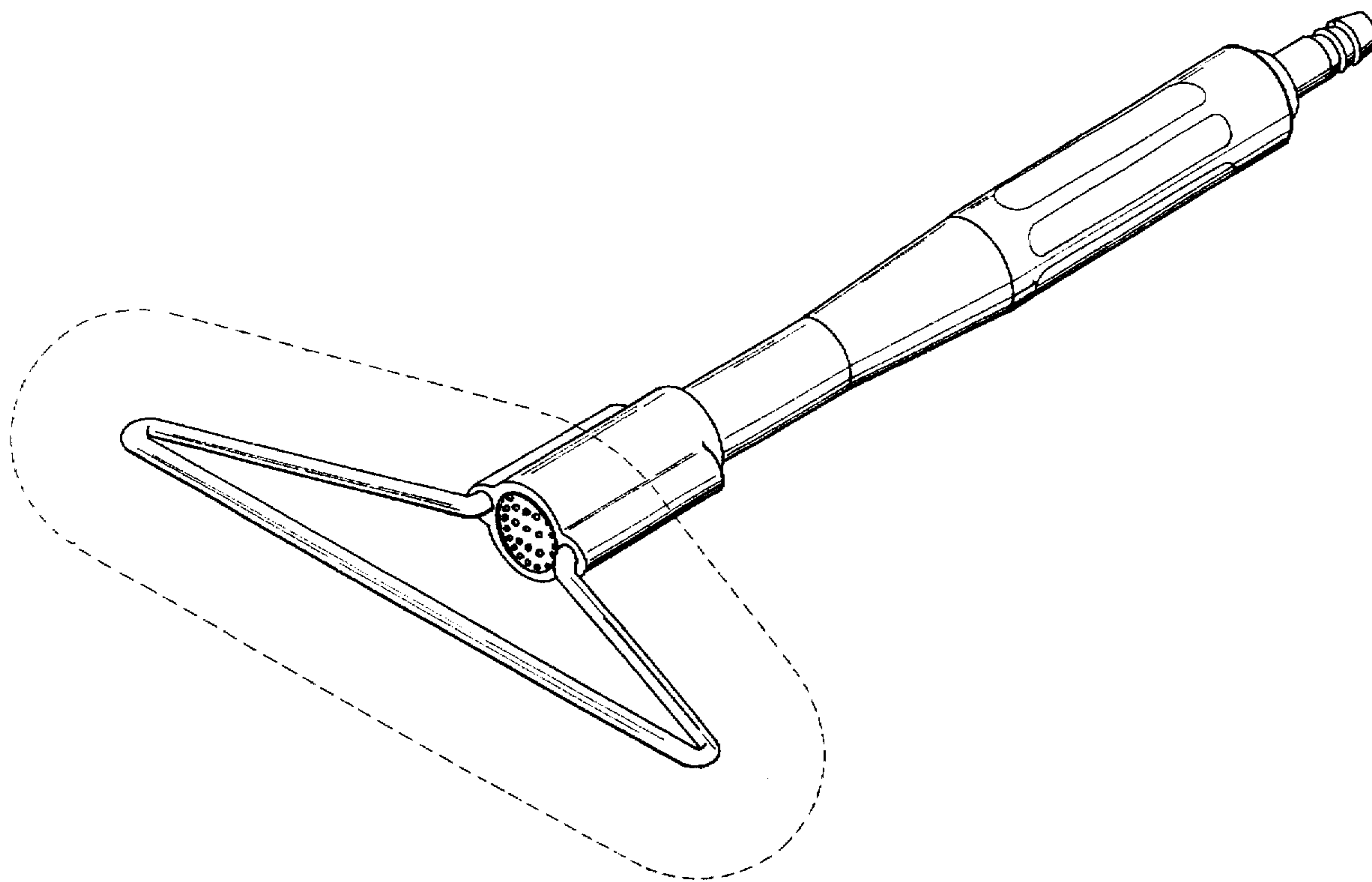
FIG. 3 is a left side view thereof;

FIG. 4 is a right side view thereof; and,

FIG. 5 is a top plan view thereof, the bottom plan view being identical.

The broken lines that are shown in FIGS. 1-5, are for illustrative purposes only and form no part of the claimed design.

1 Claim, 4 Drawing Sheets



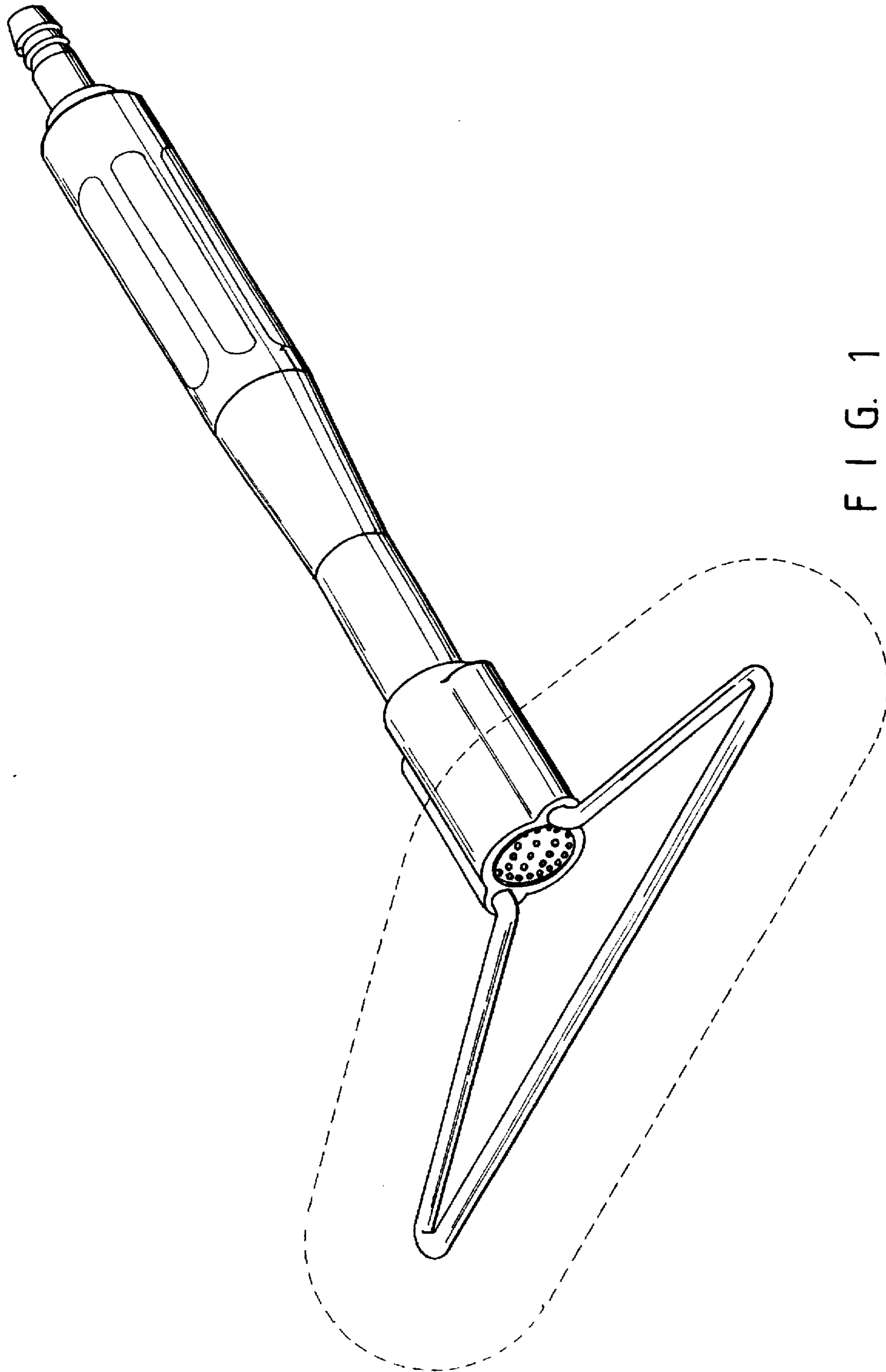


FIG. 1

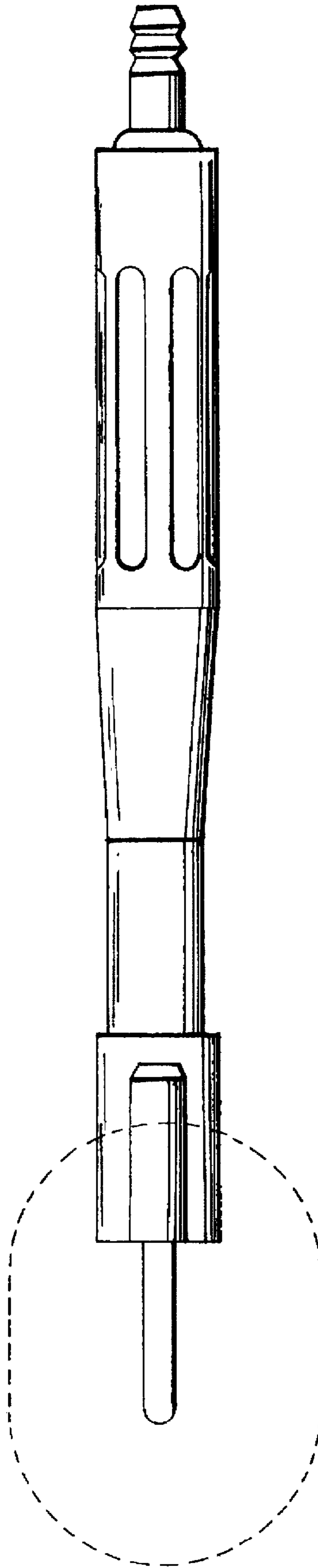


FIG. 2

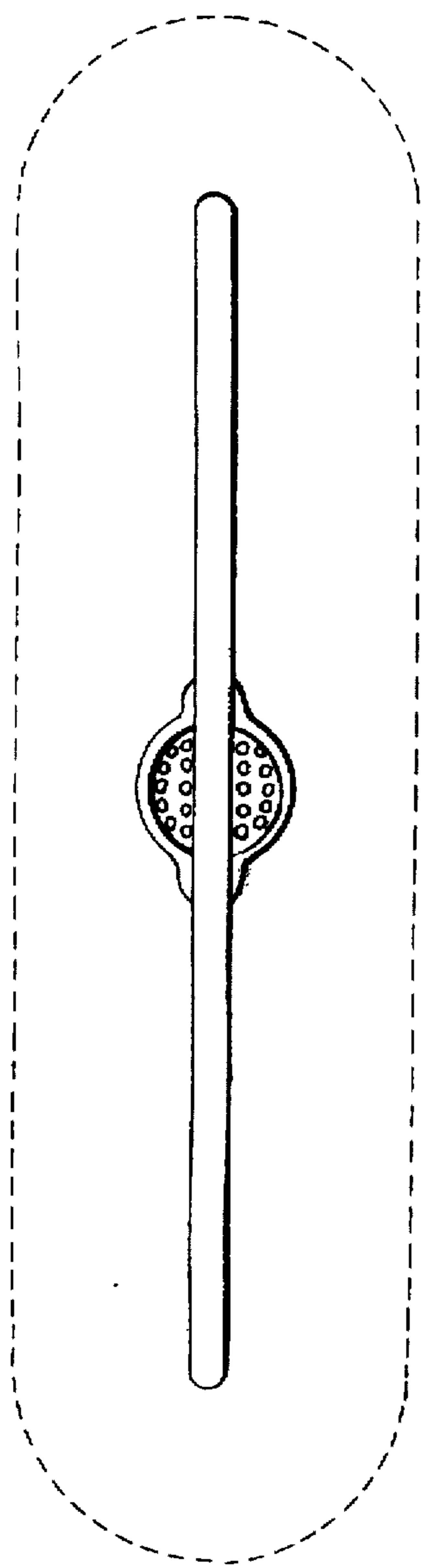


FIG. 3

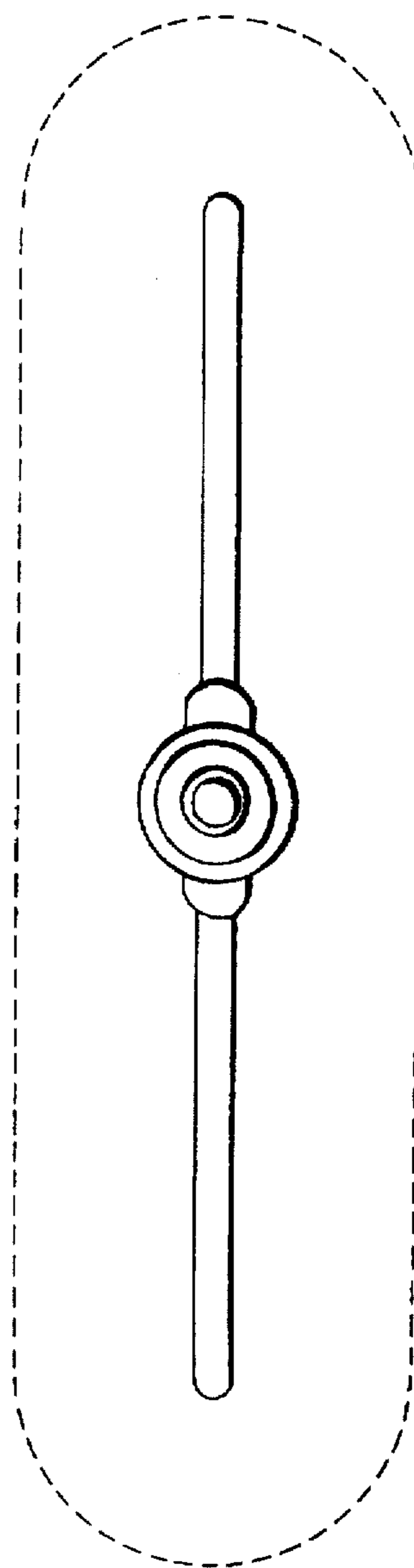


FIG. 4

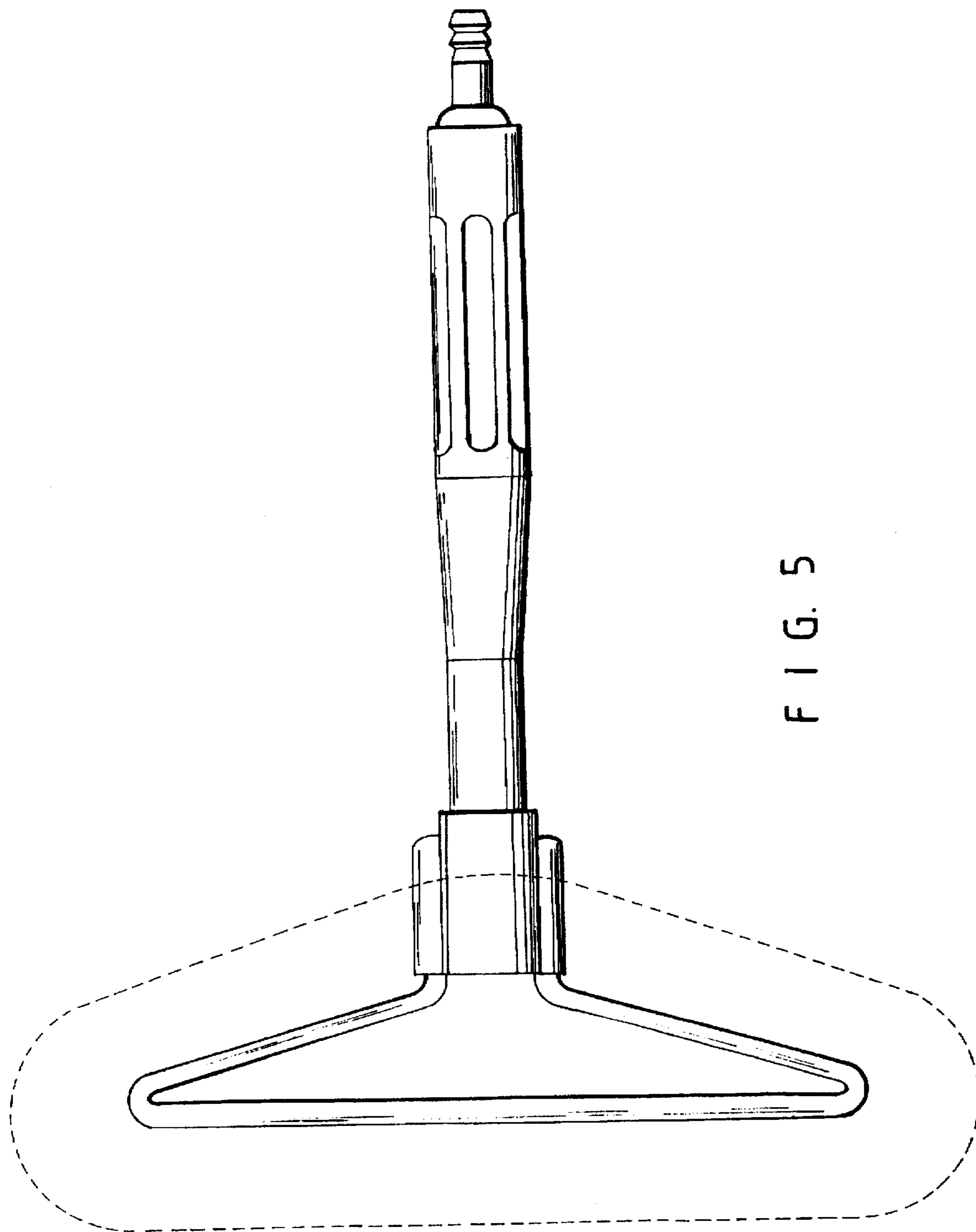


FIG. 5