

US00D383606S

**United States Patent** [19]  
**Bourbonnais**

[11] **Patent Number: Des. 383,606**  
[45] **Date of Patent: \*\*Sep. 16, 1997**

[54] **COMBINED CONTAINER AND LID**

[75] **Inventor: Richard Bourbonnais, Pointe-Claire, Canada**

[73] **Assignee: Polymos Inc., Vaudreuil, Canada**

[\*\*] **Term: 14 Years**

[21] **Appl. No.: 54,017**

[22] **Filed: May 6, 1996**

[51] **LOC (6) Cl. .... 03-01**

[52] **U.S. Cl. .... D3/302; D3/273; D9/424**

[58] **Field of Search .... D3/272, 273, 302, D3/903, 305; D9/420, 424; 206/501, 503, 508, 518; 220/380**

[56] **References Cited**

**U.S. PATENT DOCUMENTS**

D. 329,331 9/1992 Hobson ..... D3/294

D. 356,891 4/1995 Hobson ..... D3/294  
D. 361,715 8/1995 Hauptert ..... D9/424  
3,331,529 7/1967 Slapnik ..... 206/508  
3,419,184 12/1968 Asenbauer ..... 206/508  
3,759,416 9/1973 Constantine ..... 206/508

*Primary Examiner—Philip S. Hyder*  
*Attorney, Agent, or Firm—Jean H. Dubuc*

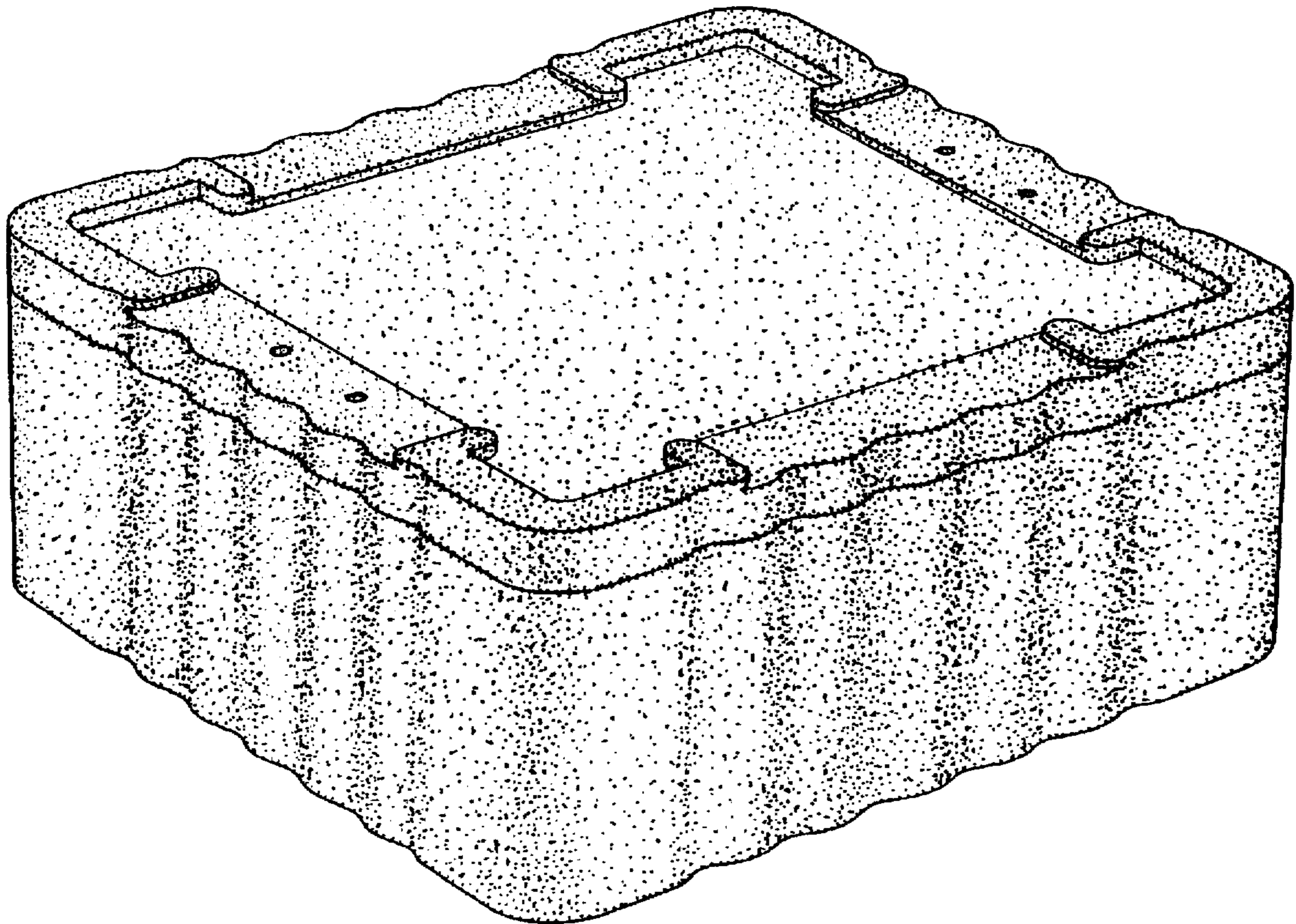
[57] **CLAIM**

The ornamental design for a combined container and lid, as shown and described.

**DESCRIPTION**

FIG. 1 is a perspective view of a combined container and lid showing my new design;  
FIG. 2 is one side view thereof, other side views being identical thereto;  
FIG. 3 is a top plan view thereof; and,  
FIG. 4 is a bottom plan view thereof.

**1 Claim, 2 Drawing Sheets**



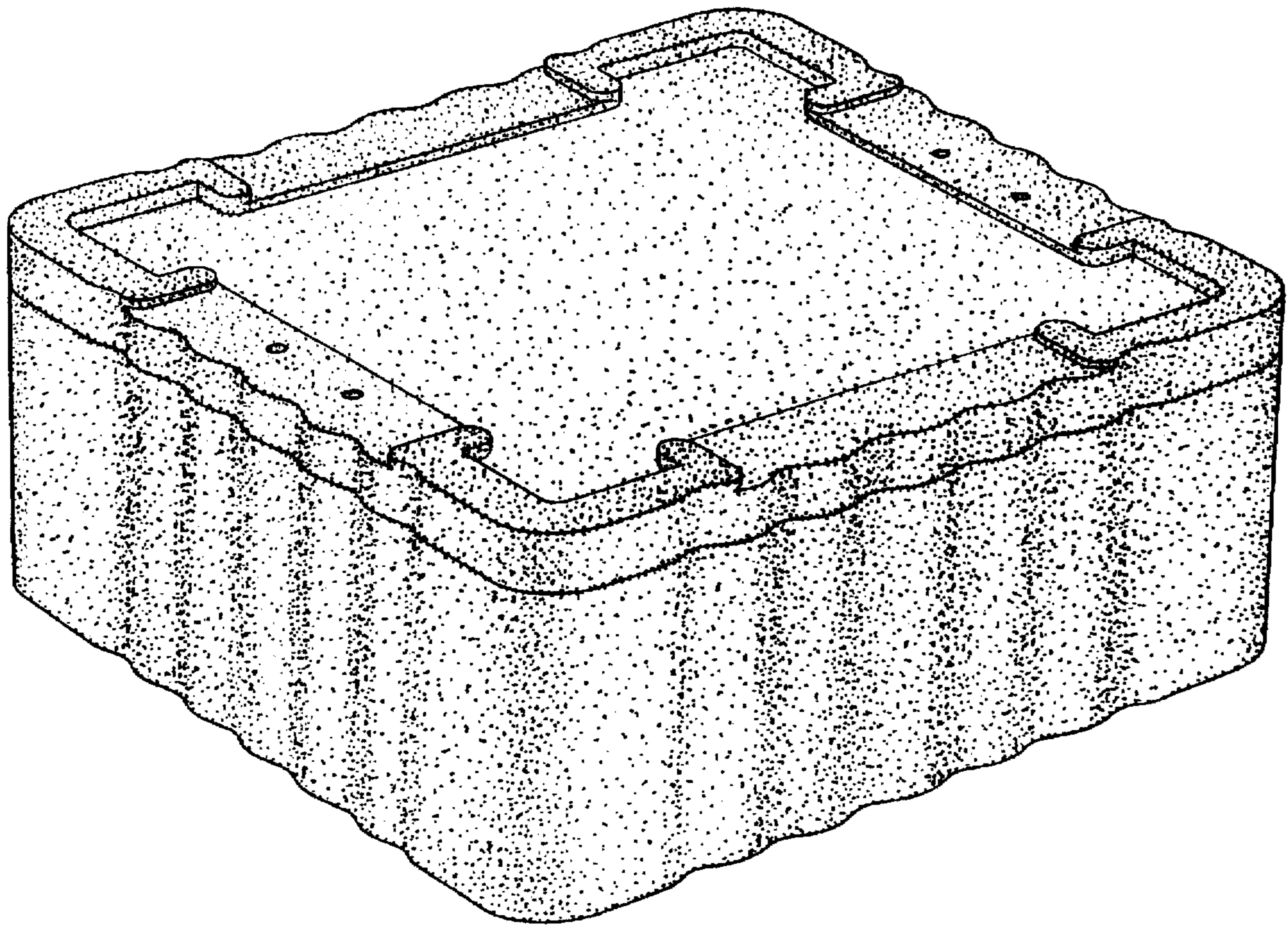


FIG. 1

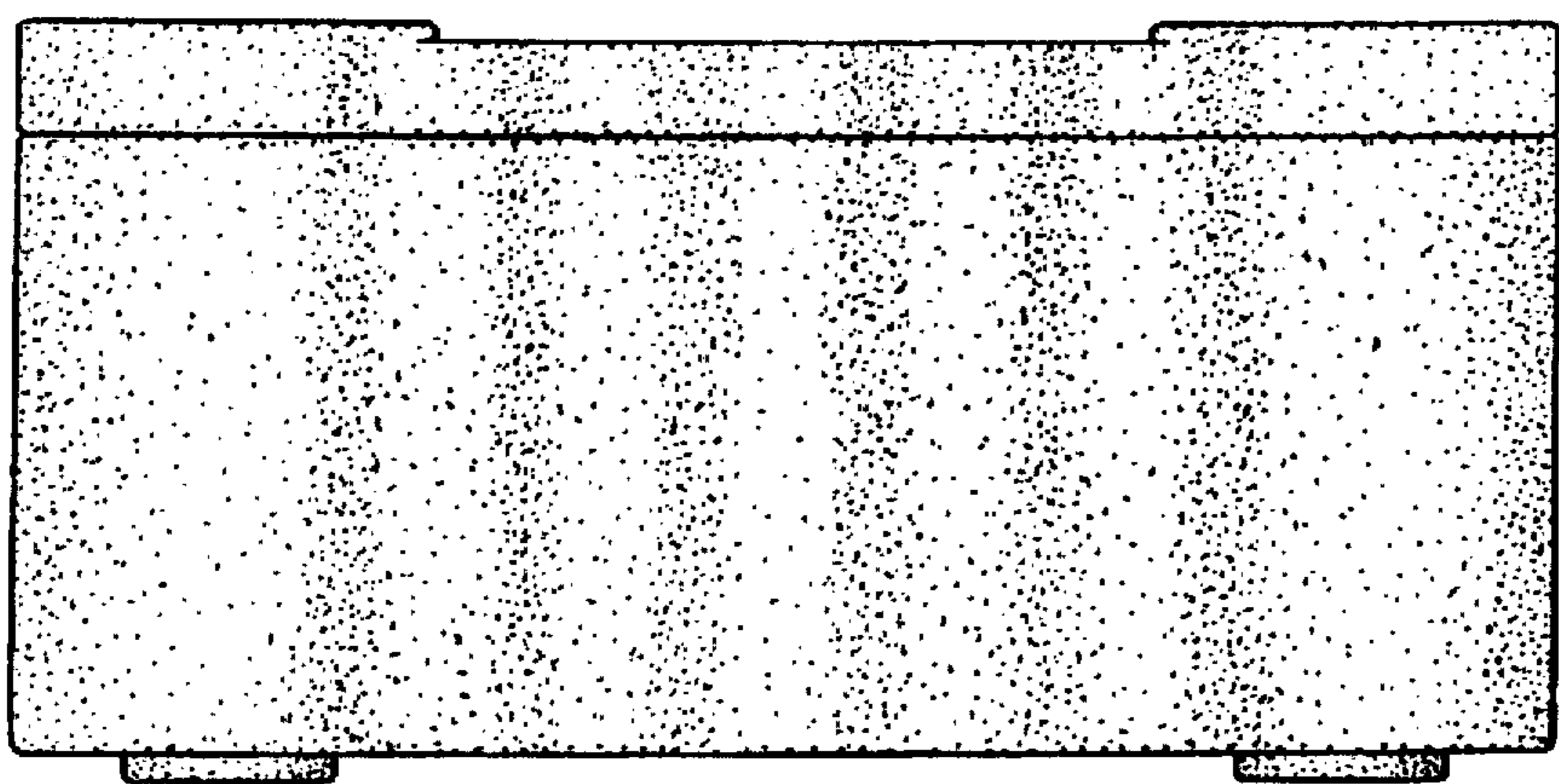


FIG. 2

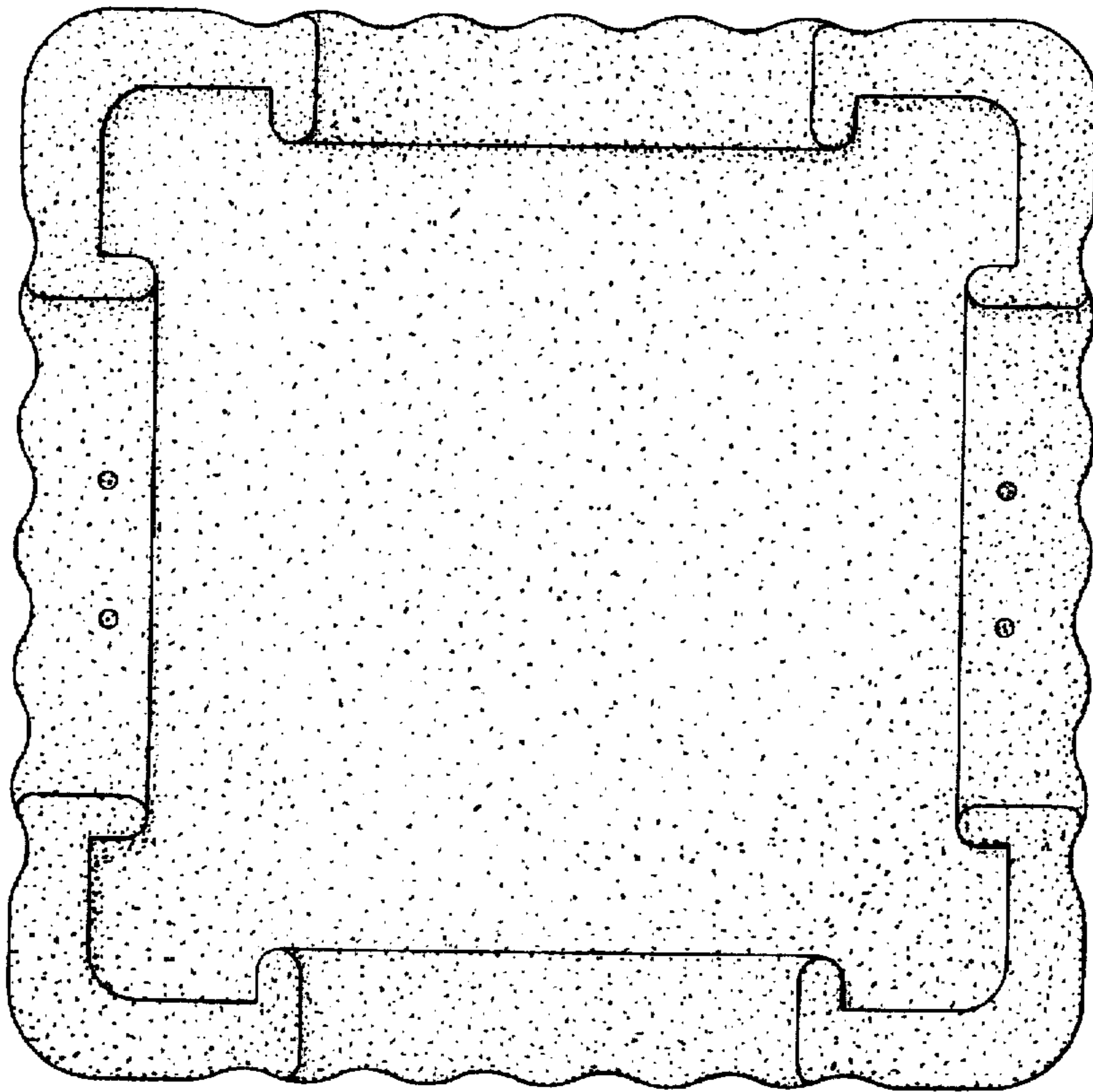


FIG. 3

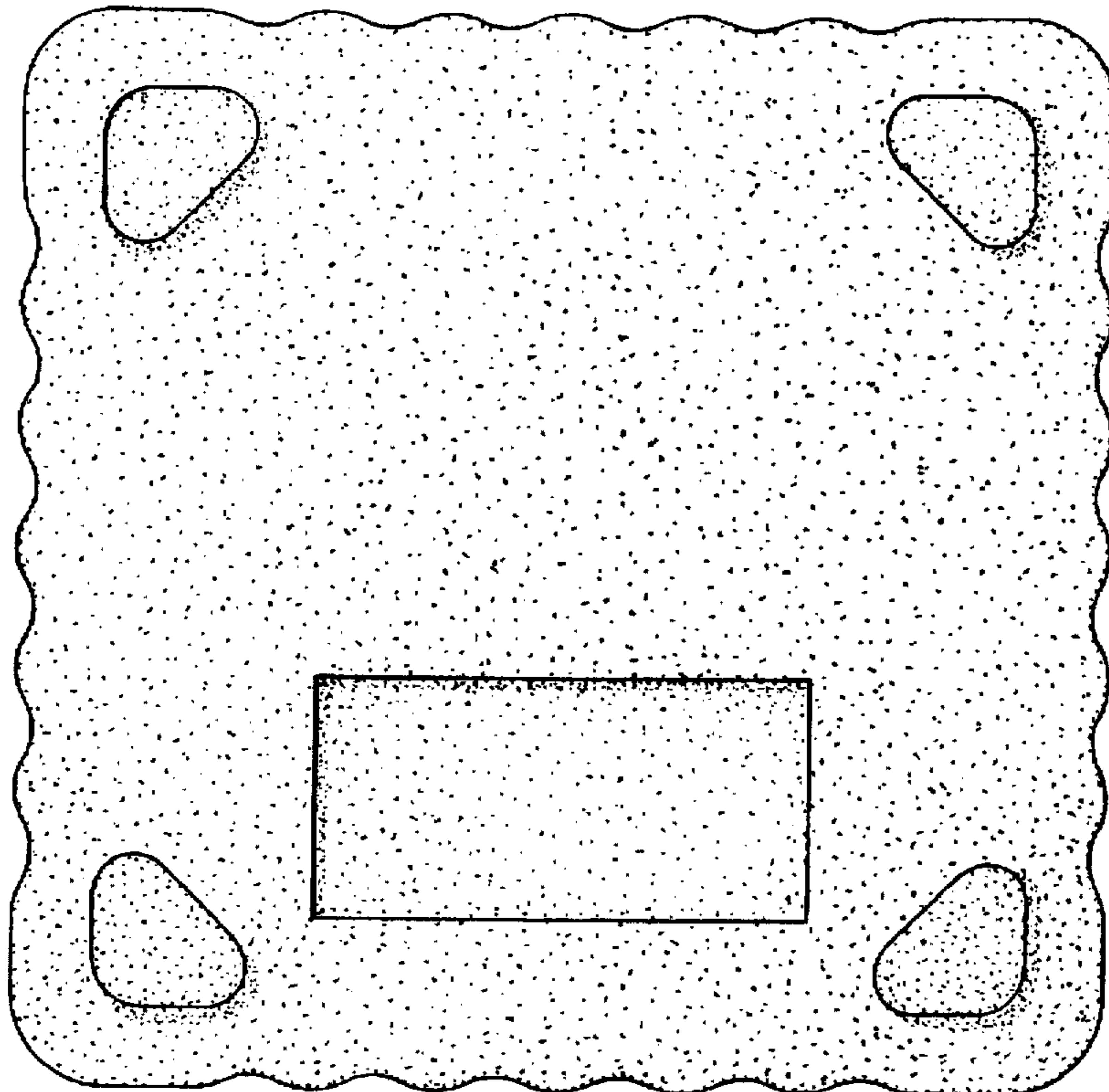


FIG. 4