



US00D383605S

United States Patent [19]
Usuriello

[11] **Patent Number: Des. 383,605**
[45] **Date of Patent: **Sep. 16, 1997**

[54] **CARRYING CASE**

4,106,597 8/1978 Shook et al. 190/110
4,206,835 6/1980 Shapiro 190/1

[76] **Inventor: Richard V. Usuriello, 20 Collins St.,
Salisbury, Mass. 01952-1814**

Primary Examiner—Philip S. Hyder
Attorney, Agent, or Firm—Pearson & Pearson

[**] **Term: 14 Years**

[57] **CLAIM**

[21] **Appl. No.: 53,030**

The ornamental design for a carrying case, as shown and described.

[22] **Filed: Apr. 10, 1996**

DESCRIPTION

[51] **LOC (6) Cl. 03-01**

FIG. 1 is a front perspective view of my carrying case in open position;

[52] **U.S. Cl. D3/284; D3/295**

FIG. 2 is a view of my carrying case with cover in open position;

[58] **Field of Search D3/273, 274, 276,
D3/283, 284, 285, 294, 295; 190/1, 2, 12,
109, 110, 113, 111, 114, 115, 116; 206/545**

FIG. 3 is a bottom plan view of FIG. 1;

FIG. 4 is a top plan view of FIG. 1;

FIG. 5 is a rear view of FIG. 1;

FIG. 6 is a front elevational view of FIG. 1;

FIG. 7 is a right side view of my improved carrying case in open position with the left side being a mirror image; and,

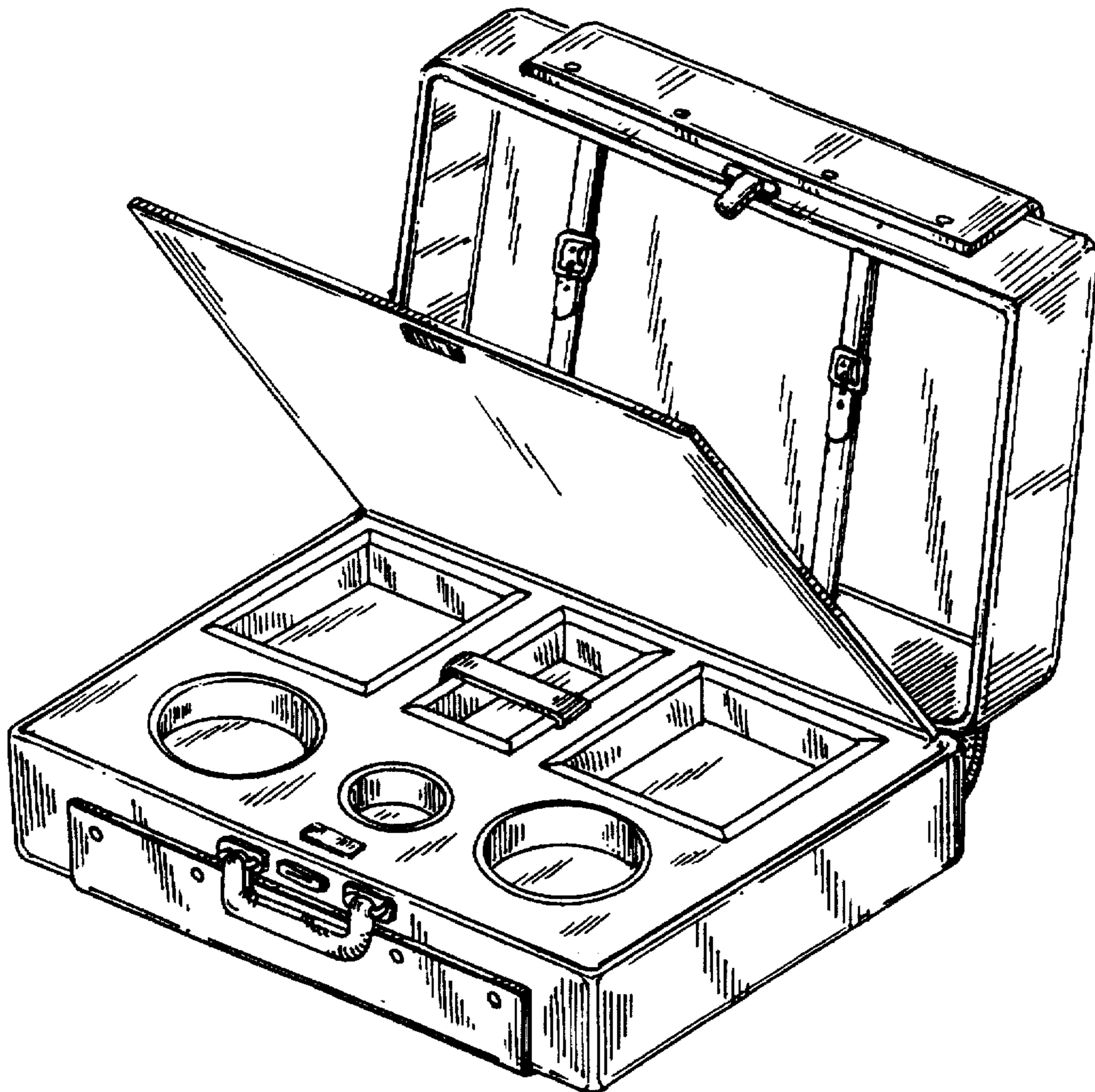
FIG. 8 is a bottom view of the insert portion of my carrying case.

[56] **References Cited**

U.S. PATENT DOCUMENTS

D. 106,164	9/1937	Wilt	D3/285
D. 279,330	6/1985	Gerch	D3/274
D. 341,027	11/1993	Godden et al.	D3/274
D. 351,504	10/1994	Tarozzi	D3/273
D. 357,116	4/1995	Lancaster	D3/276

1 Claim, 5 Drawing Sheets



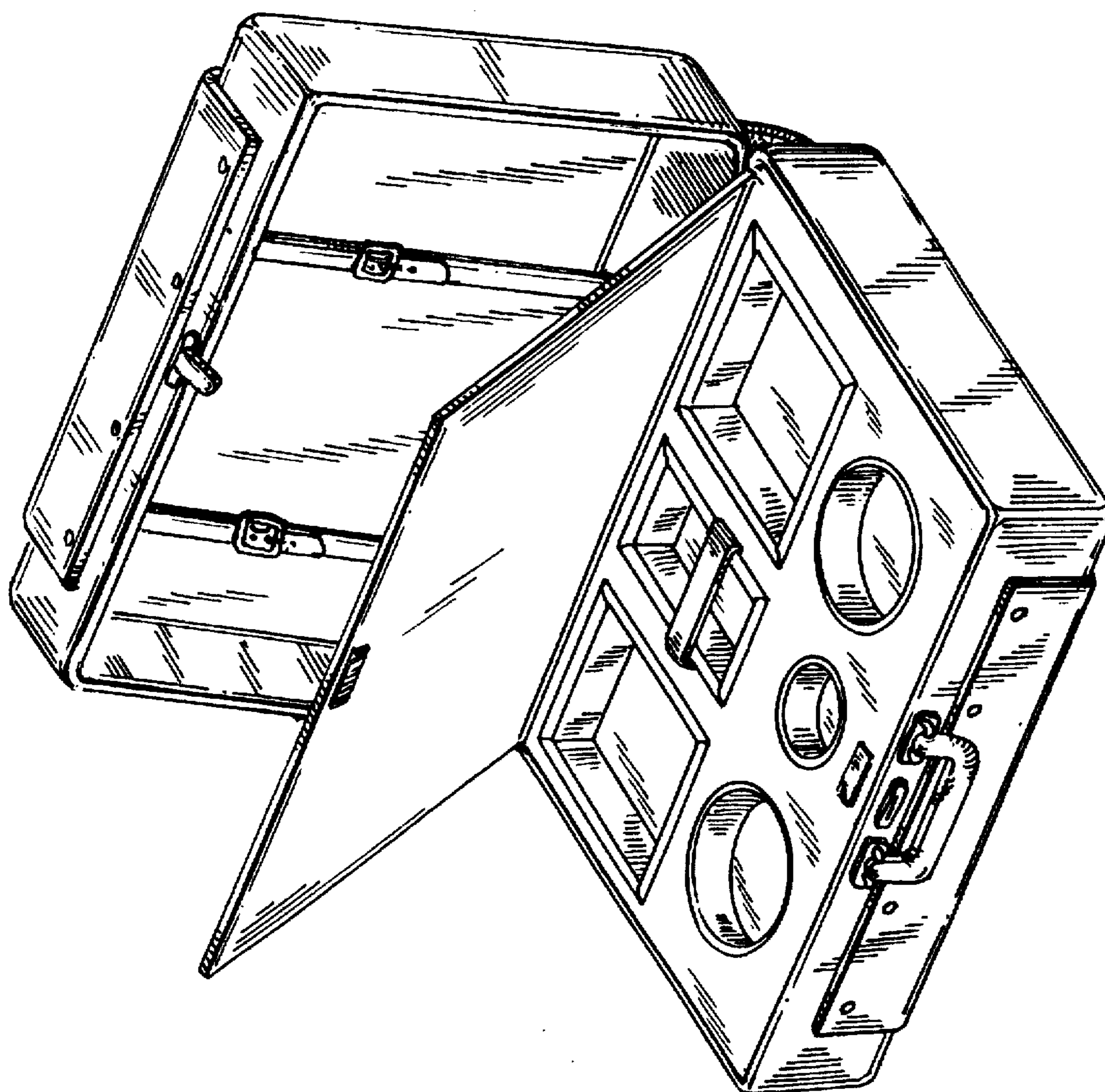


FIG. 1

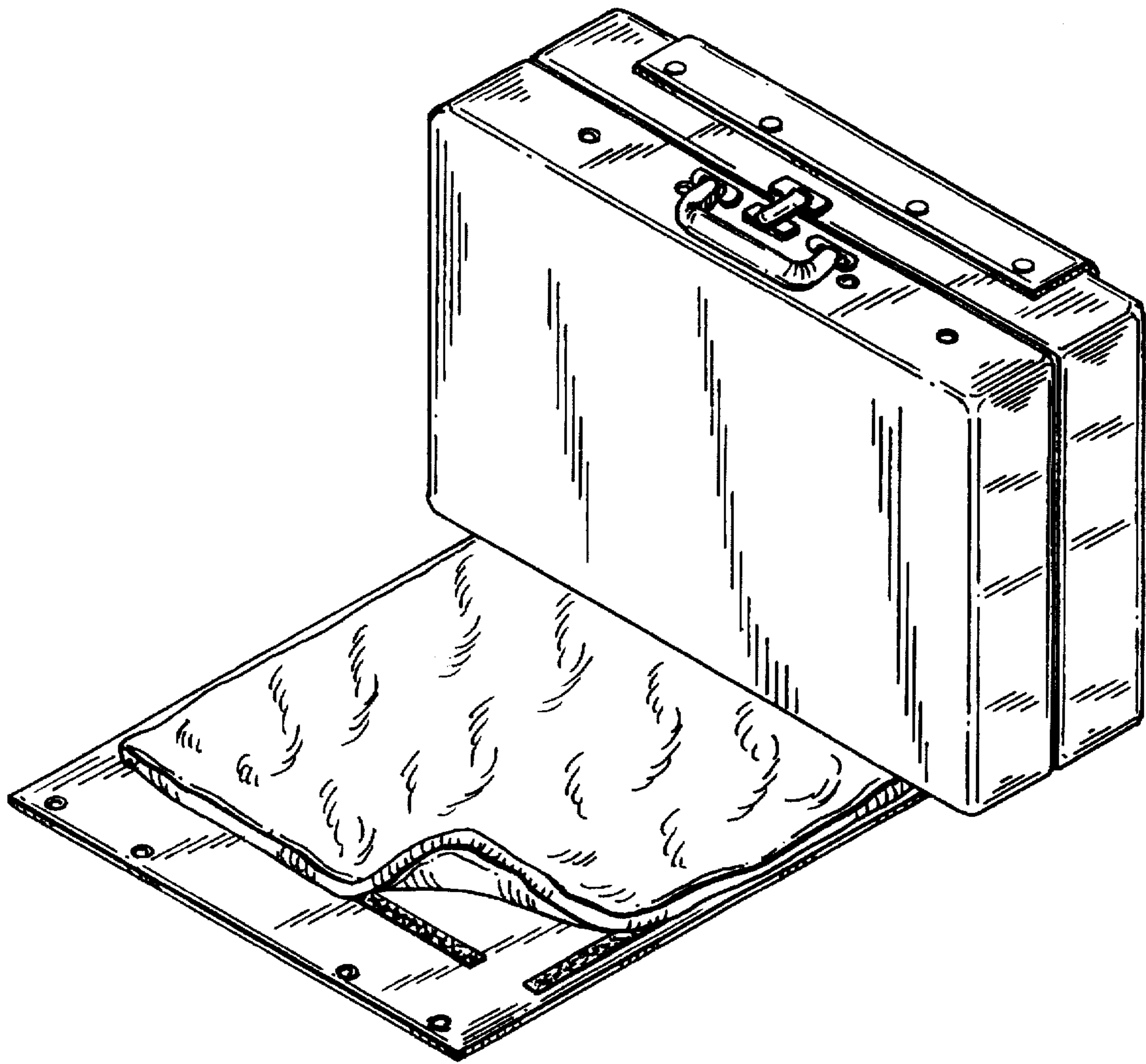


FIG. 2

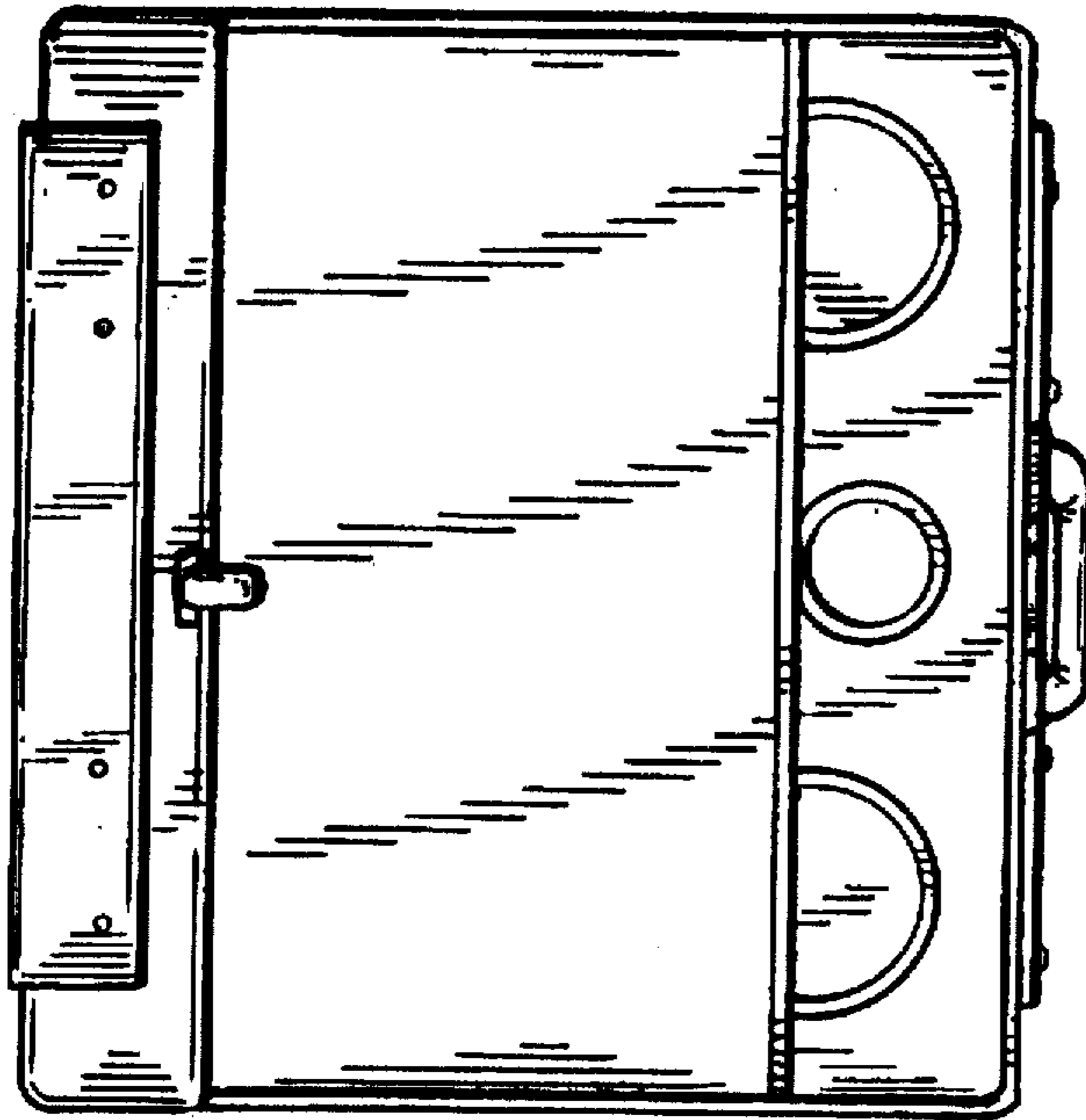


FIG. 4

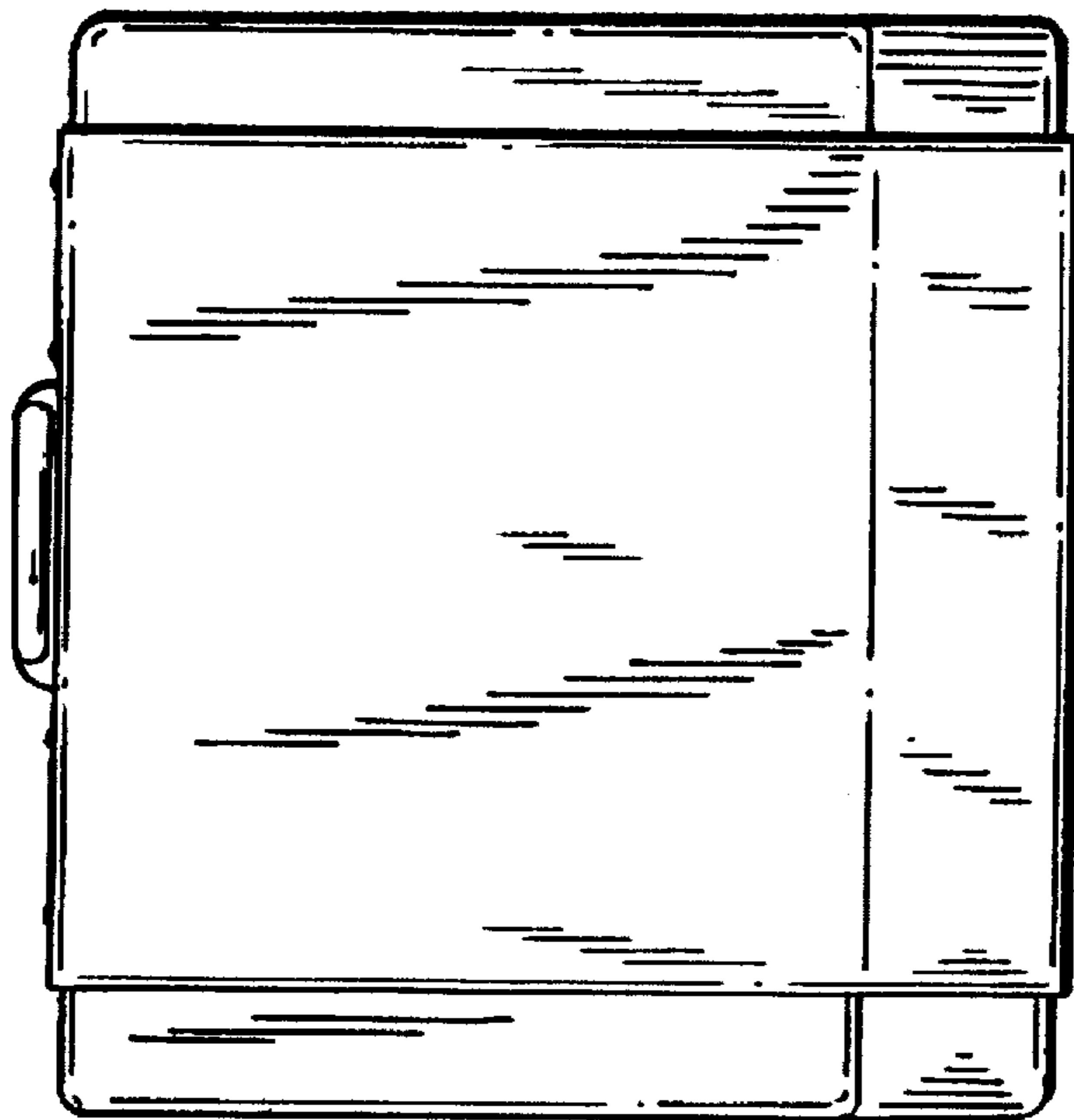


FIG. 3

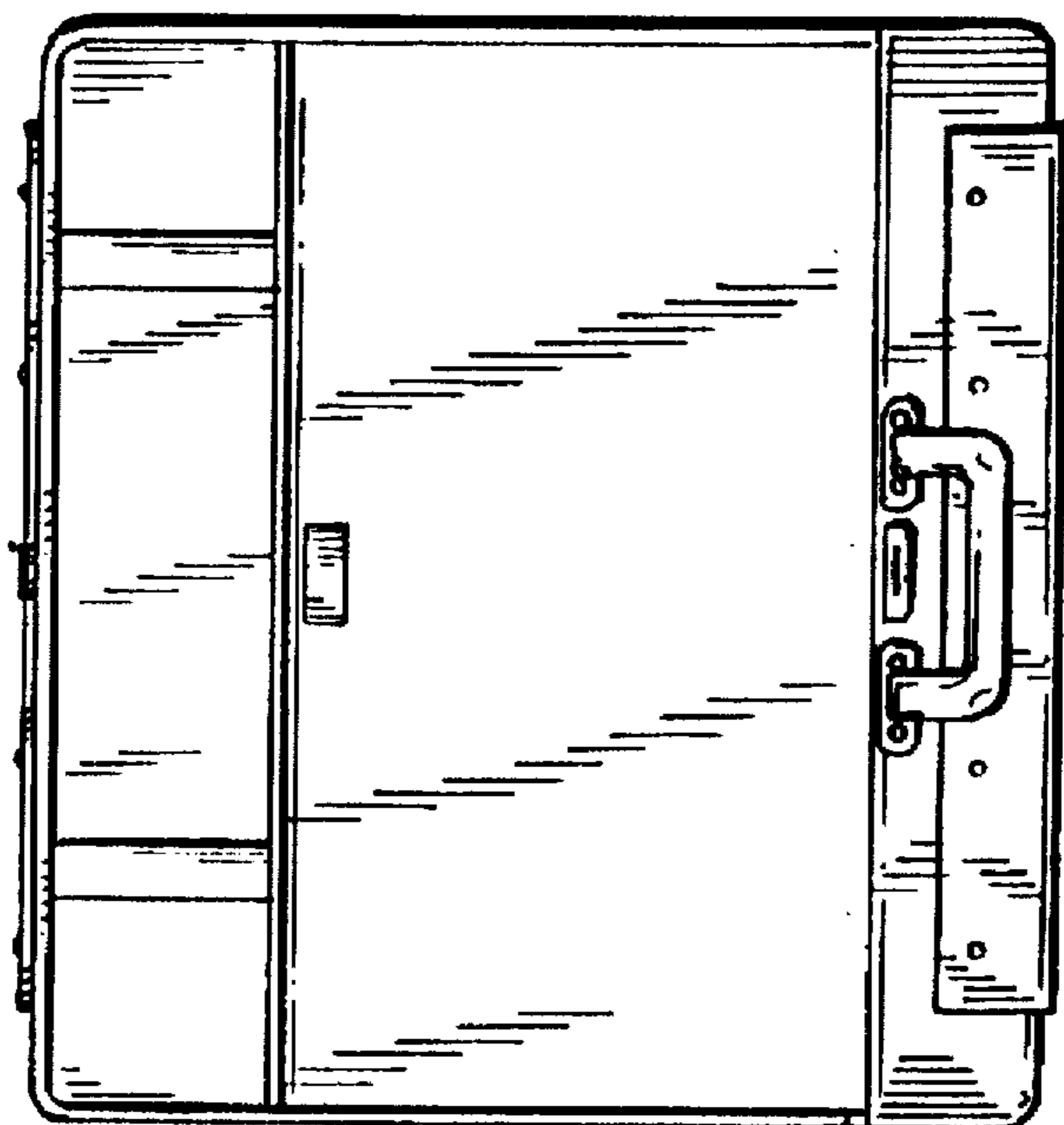


FIG. 6

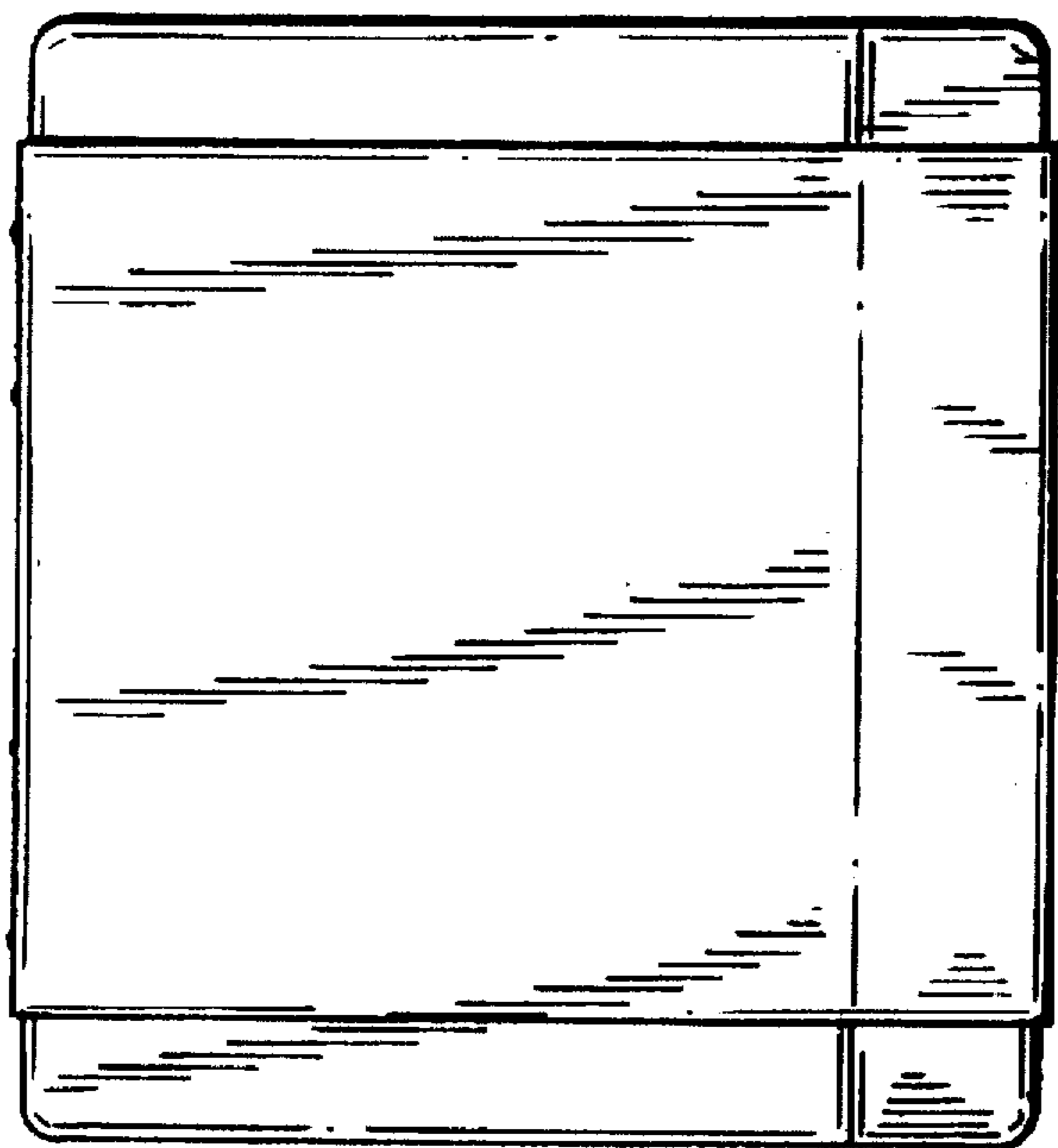


FIG. 5

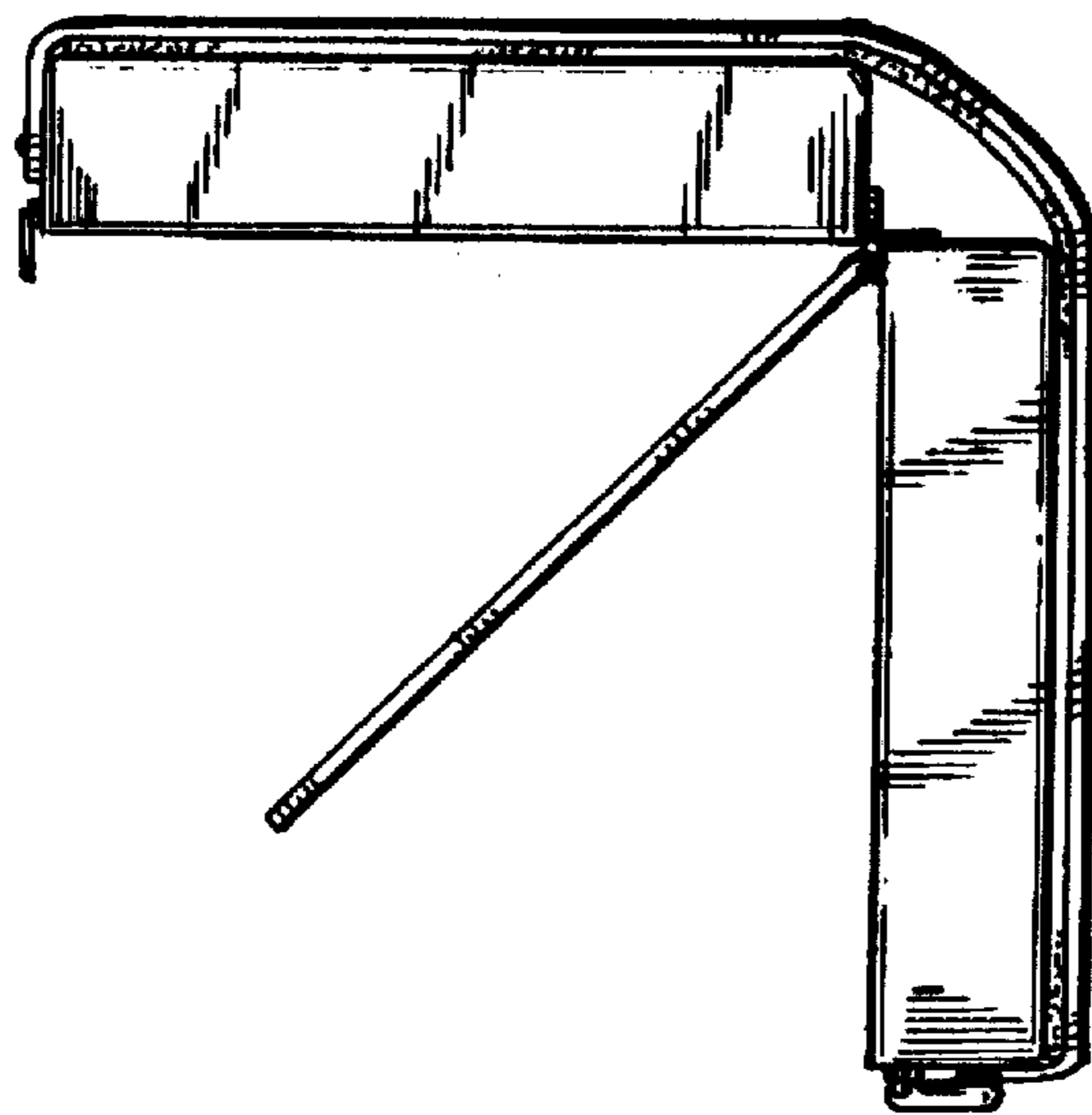


FIG. 7

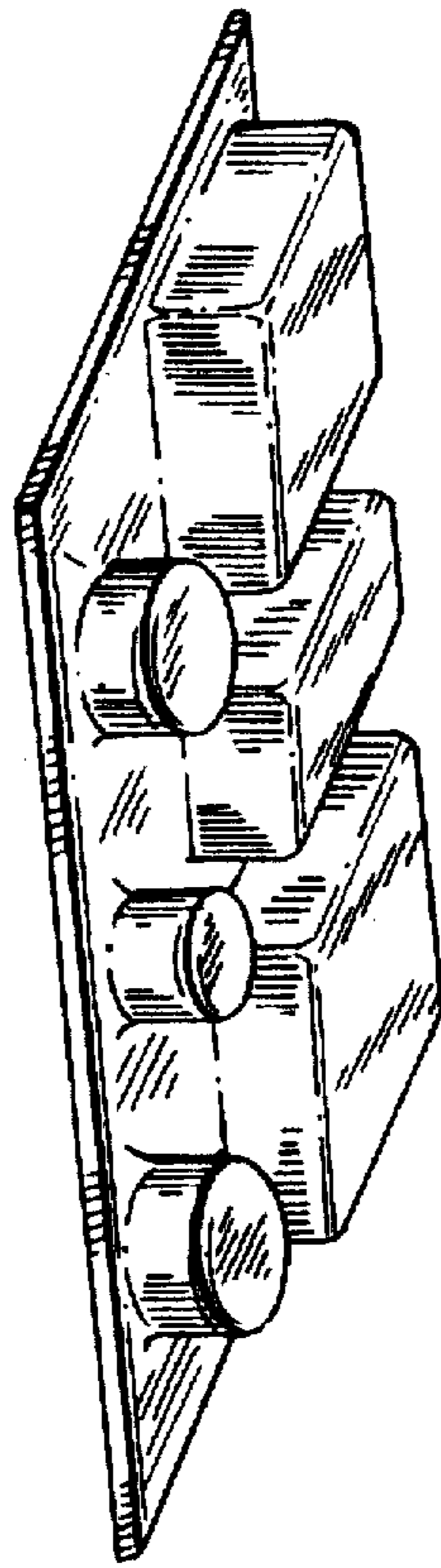


FIG. 8