



US00D383601S

# United States Patent [19]

[11] Patent Number: **Des. 383,601**

Jones et al.

[45] Date of Patent: **\*\*Sep. 16, 1997**

## [54] TACKLE CONTAINER

[76] Inventors: **Richard L. Jones; Joseph L. Evering,**  
both of 1426 Valley Forge Way,  
Abingdon, Md. 21009

[\*\*] Term: **14 Years**

[21] Appl. No.: **43,949**

[22] Filed: **Sep. 14, 1995**

[51] LOC (6) Cl. .... **03-01**

[52] U.S. Cl. .... **D3/260; D3/905**

[58] Field of Search ..... **D3/260, 259, 273,**  
**D3/904, 905, 900, 902, 283; 206/315.11;**  
**43/25.2, 26, 54.1, 57.1; 224/920**

## [56] References Cited

### U.S. PATENT DOCUMENTS

D. 156,820	1/1950	Domina .....	D3/260
D. 280,260	8/1985	Leiserson .....	D3/283
D. 312,530	12/1990	Gallen et al. ....	D3/283 X
4,691,469	9/1987	Alsobrook et al. ....	224/920 X
5,481,822	1/1996	Engels .....	43/54.1

## OTHER PUBLICATIONS

L. L. Bean Catalog, Fisherman's Wet/Dry Duffie Feb. 1989,  
p. 50.

*Primary Examiner*—Doris V. Coles

*Assistant Examiner*—Catherine R. Oliver

## [57] CLAIM

The ornamental design for a tackle container, as shown and described.

## DESCRIPTION

FIG. 1 is a top plan view of a tackle container showing our new design, with the lid shown in the closed position;

FIG. 2 is a bottom plan view thereof;

FIG. 3 is a front elevational view thereof;

FIG. 4 is a left side elevational view thereof;

FIG. 5 is a right side elevational view, with the lid shown in an open position;

FIG. 6 is a top plan view thereof;

FIG. 7 is a perspective view thereof; and,

FIG. 8 is a perspective view of an alternate embodiment shown with the lid open, identical to the embodiment of FIGS. 1-7 except further including an extra inner compartment.

**1 Claim, 3 Drawing Sheets**

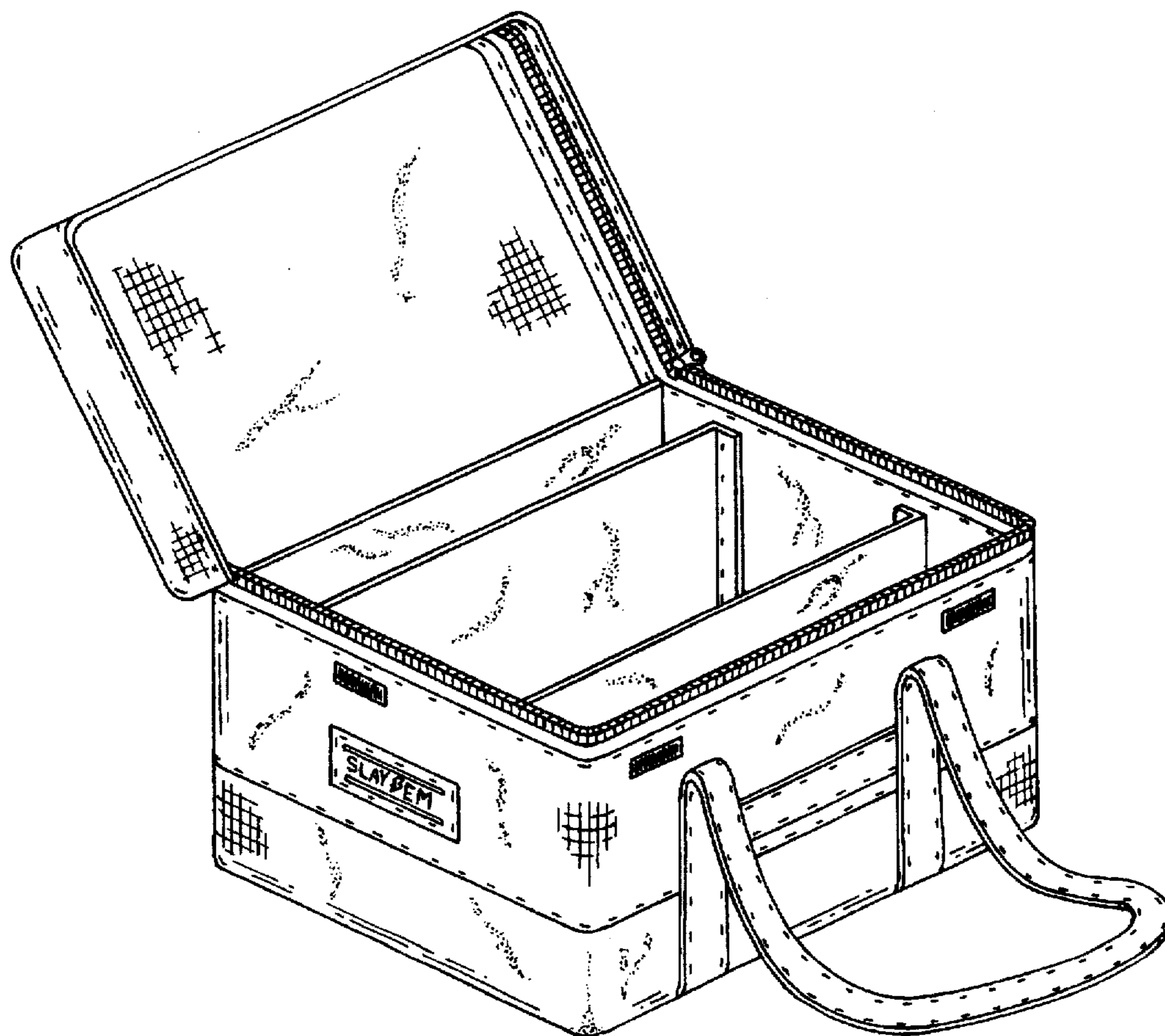


FIG. 1

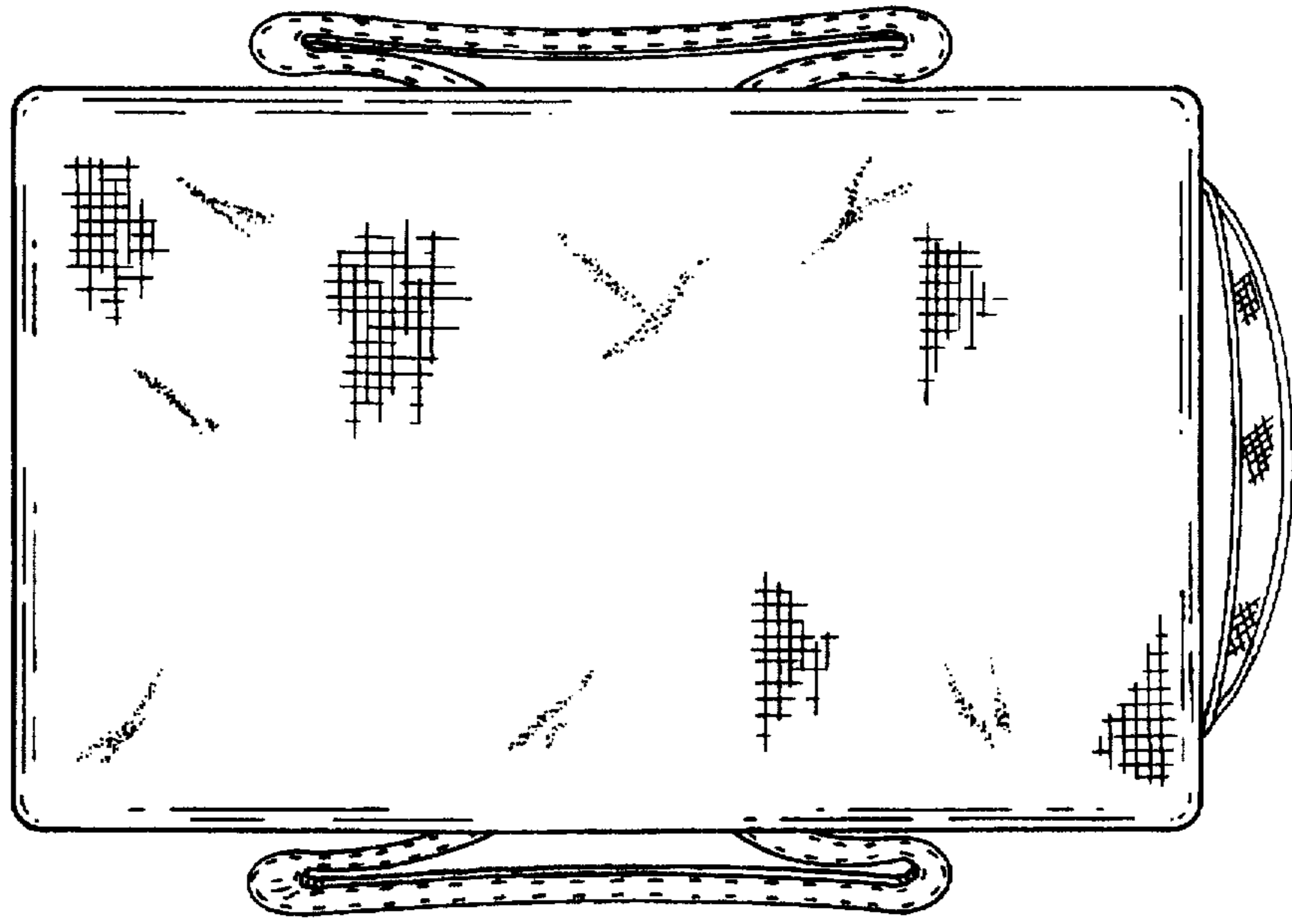


FIG. 2

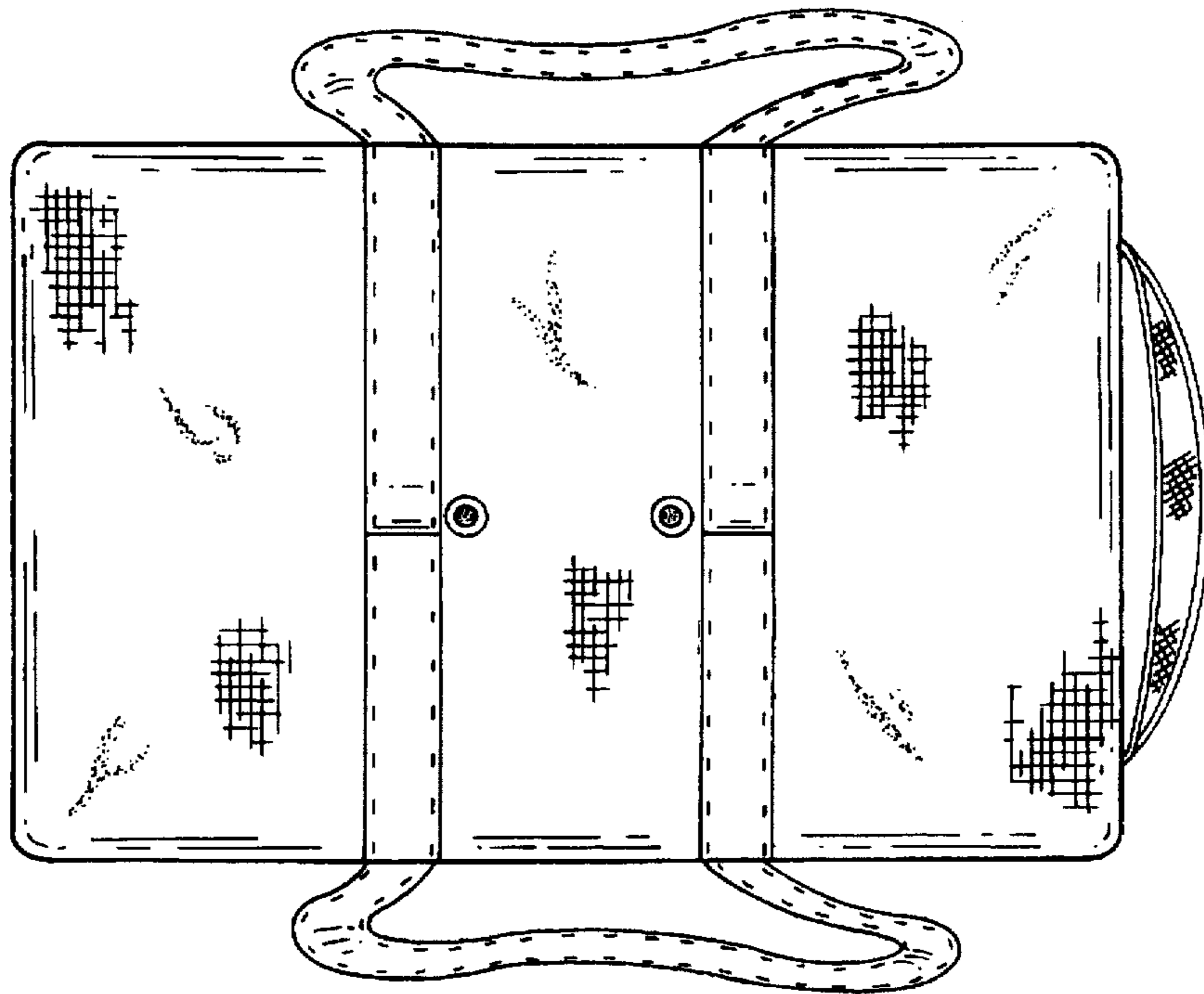
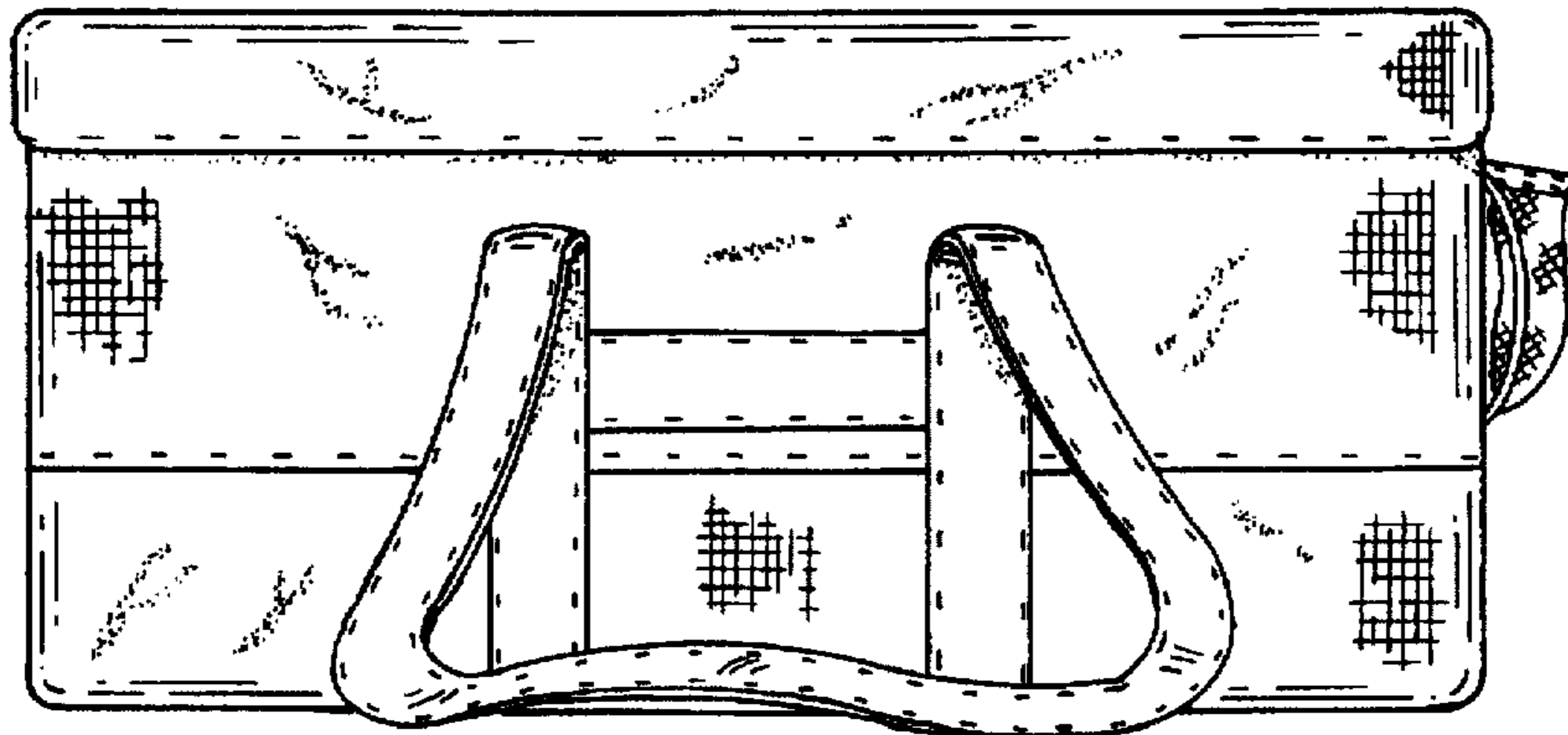


FIG. 3



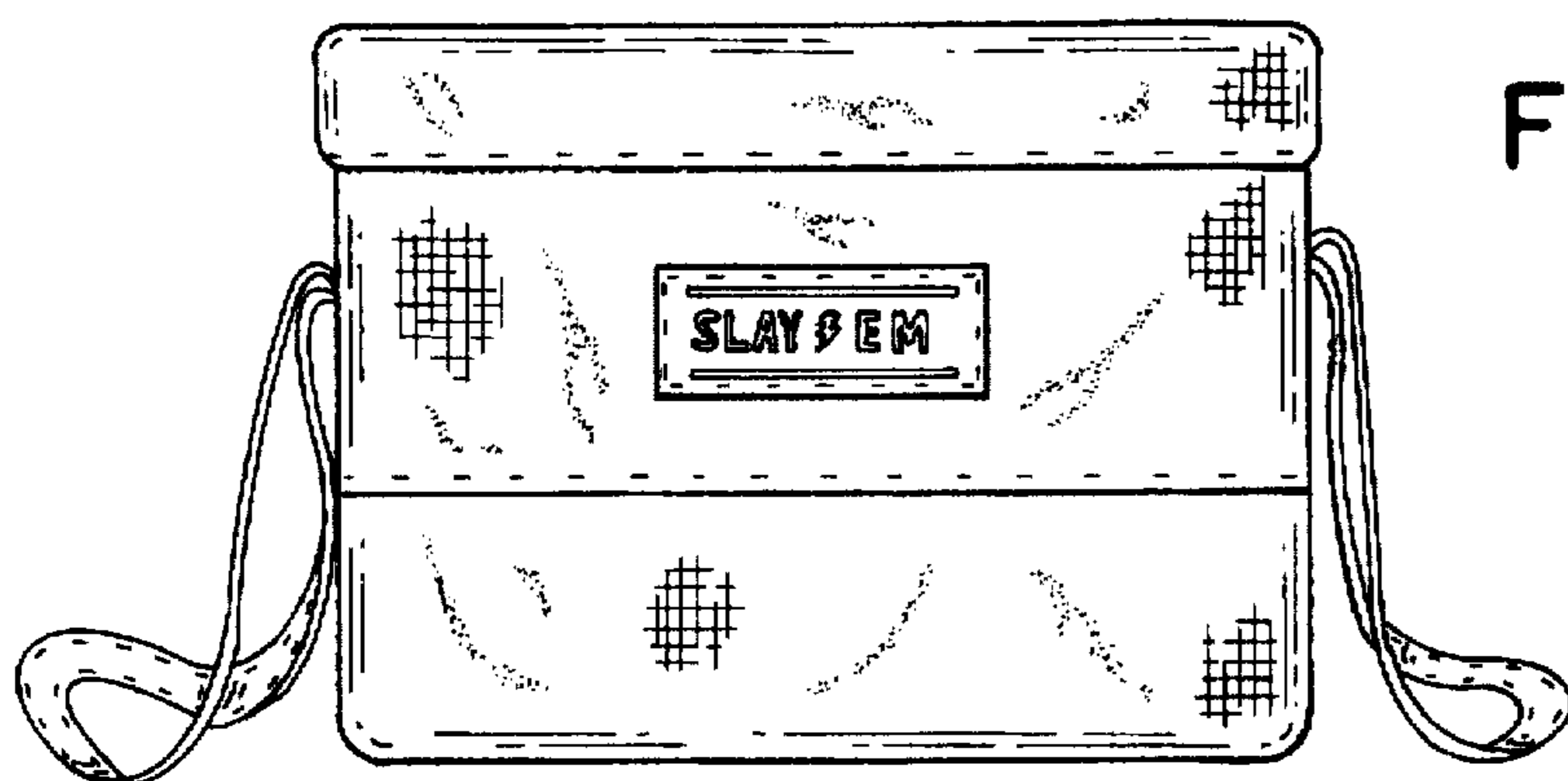


FIG. 4

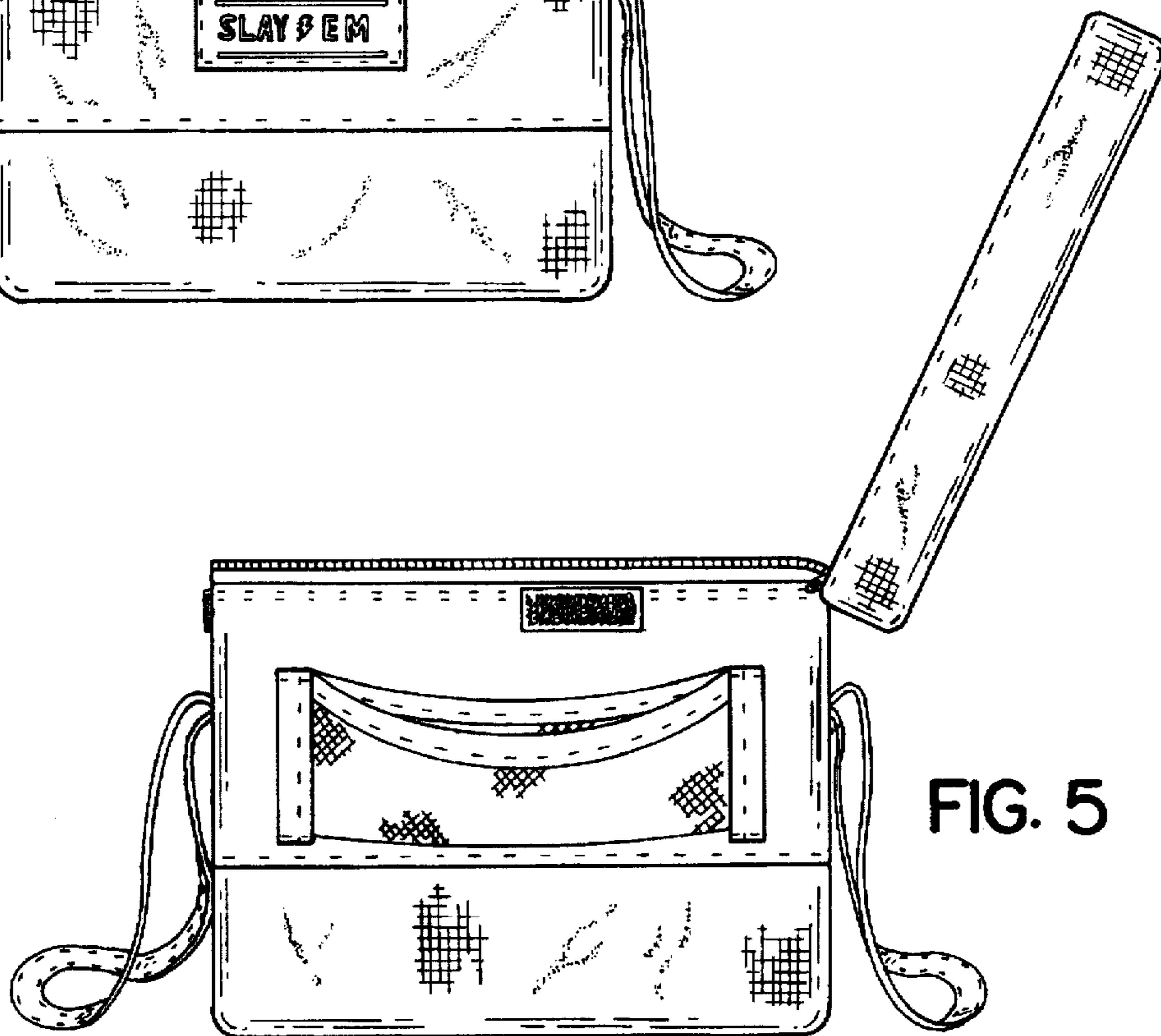


FIG. 5

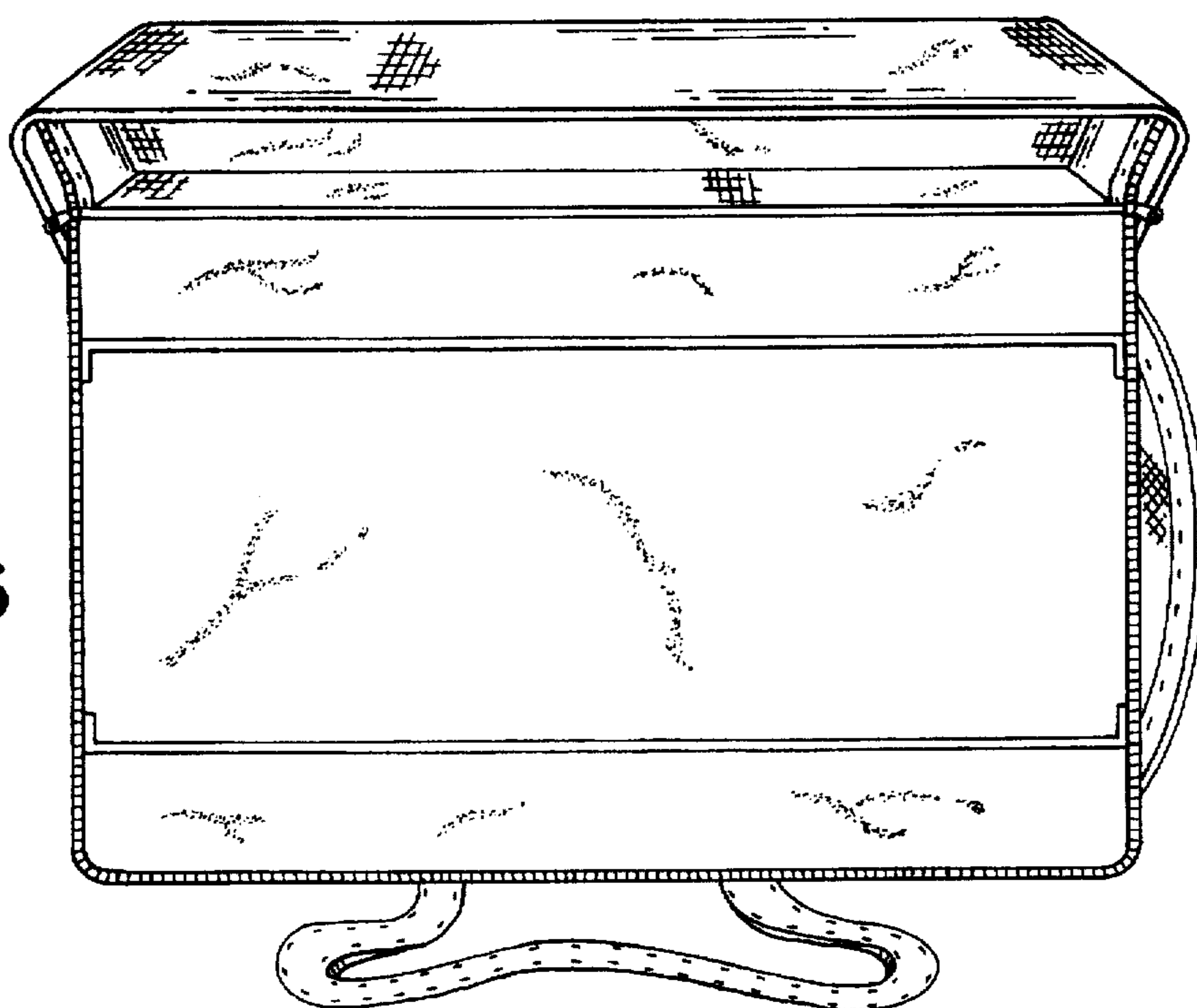


FIG. 6



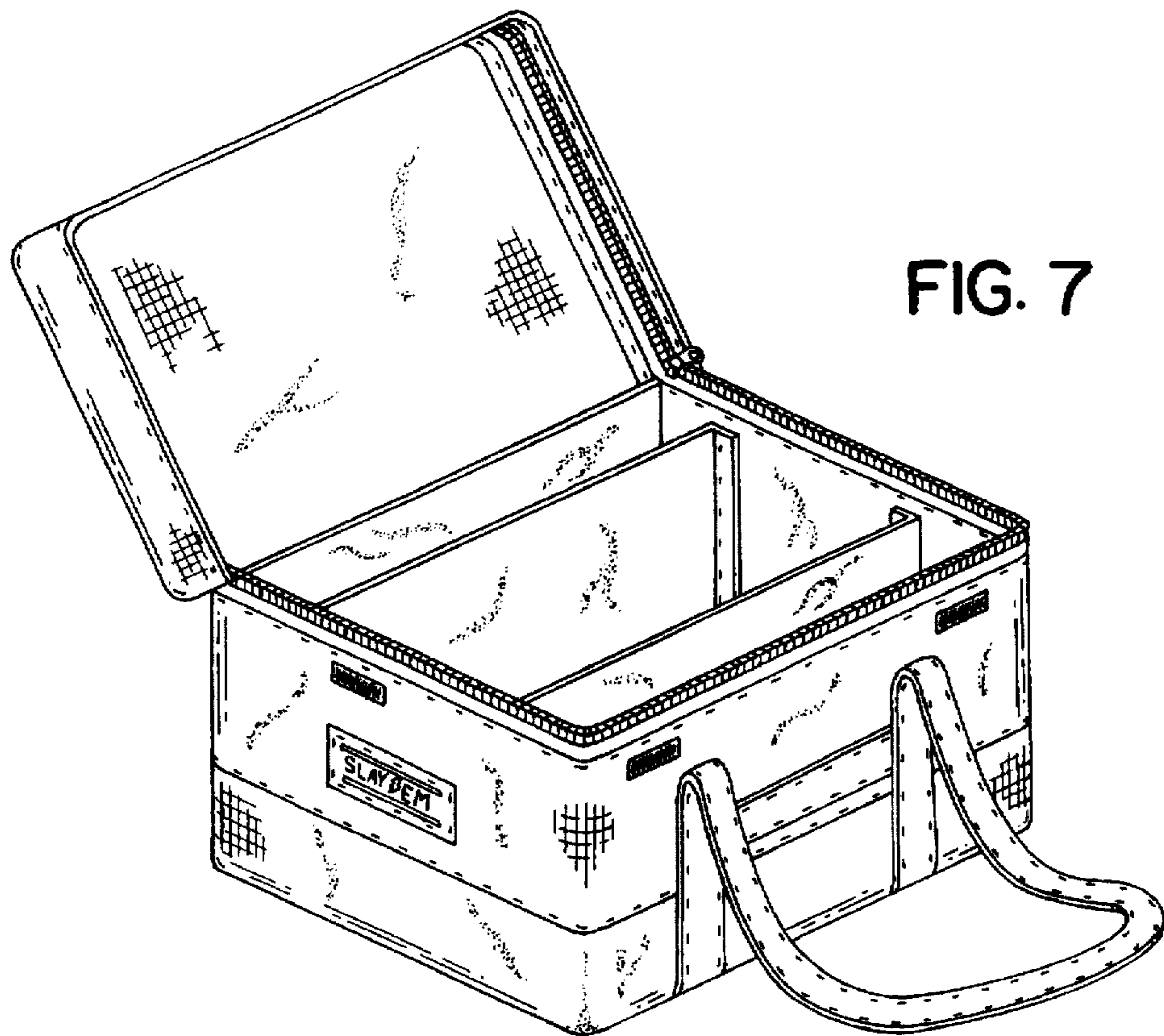


FIG. 7

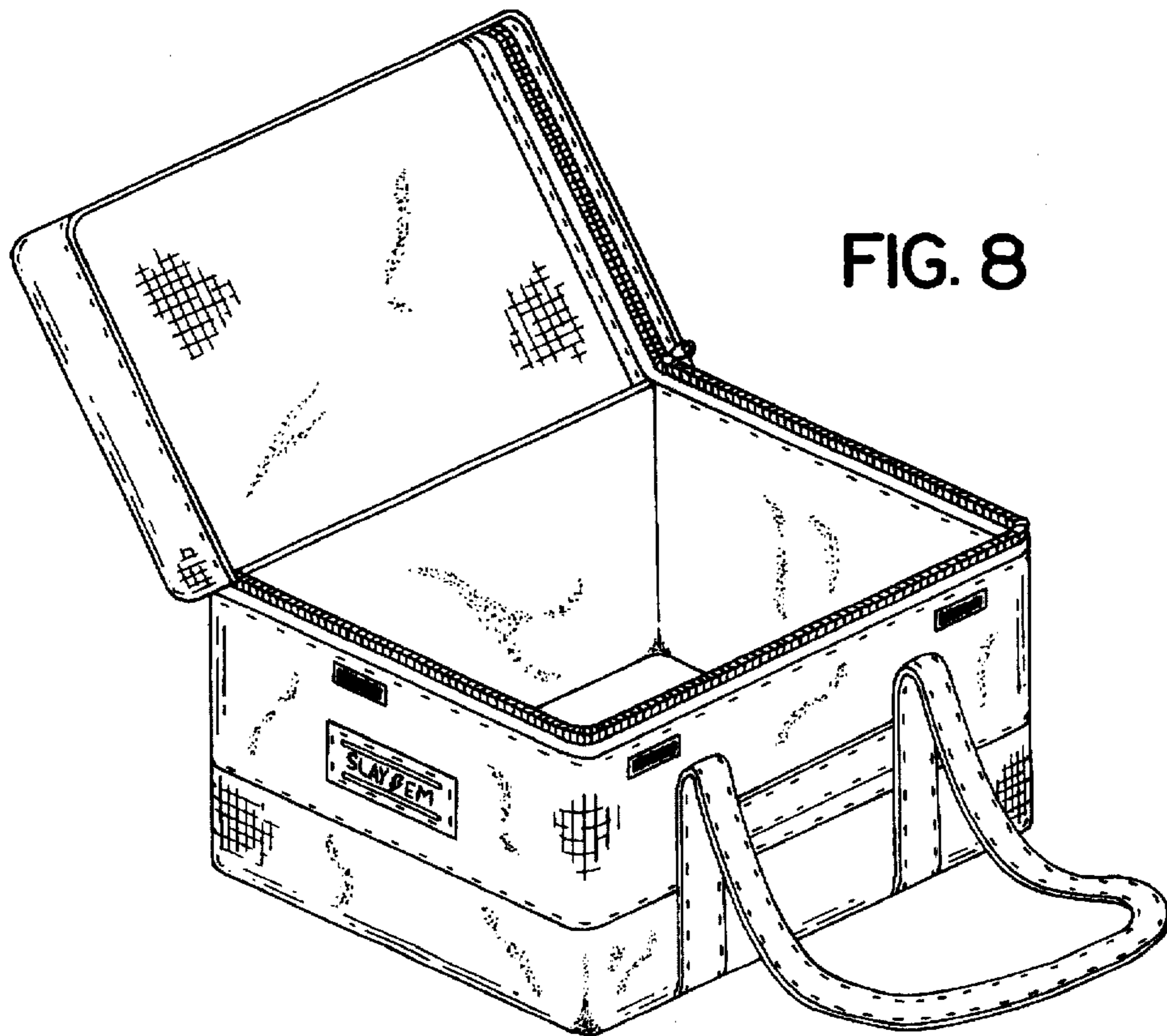


FIG. 8