



US00D383600S

# United States Patent [19]

[11] Patent Number: **Des. 383,600**

Song

[45] Date of Patent: **\*\*Sep. 16, 1997**

[54] **KEY RING**

D. 360,070	7/1995	DiPaolo et al.	.....	D3/207
2,079,046	5/1937	Schoeninger	.....	D3/207
2,188,367	1/1940	Loercher	.....	D3/207
2,531,835	11/1950	Anderson	.....	D3/207

[76] Inventor: **Chang June Song**, 6740 Comstock Road, Richmond, British Columbia, Canada

*Primary Examiner*—Ralf Seifert  
*Attorney, Agent, or Firm*—Townsend and Townsend and Crew

[\*\*] Term: **14 Years**

[21] Appl. No.: **57,312**

### [57] CLAIM

[22] Filed: **Jul. 23, 1996**

The ornamental design for a key ring, as shown and described.

### Related U.S. Application Data

### DESCRIPTION

[62] Division of Ser. No. 36,222, Mar. 15, 1995, Pat. No. Des. 371,999.

FIG. 1 is a top plan view of an embodiment of a key ring showing my new design;

[51] **LOC (6) Cl.** ..... **03-01**

FIG. 2 is a bottom plan view thereof;

[52] **U.S. Cl.** ..... **D3/207**

FIG. 3 is a first side view thereof;

[58] **Field of Search** ..... D3/207-211, 221;  
70/456 B, 456 R

FIG. 4 is a front elevational view thereof; and

FIG. 5 is a second side view thereof;

FIG. 6 is a top plan view of a second embodiment of a key ring showing my new design;

FIG. 7 is a bottom plan view thereof;

FIG. 8 is a side view thereof;

FIG. 9 is a rear elevational view thereof; and,

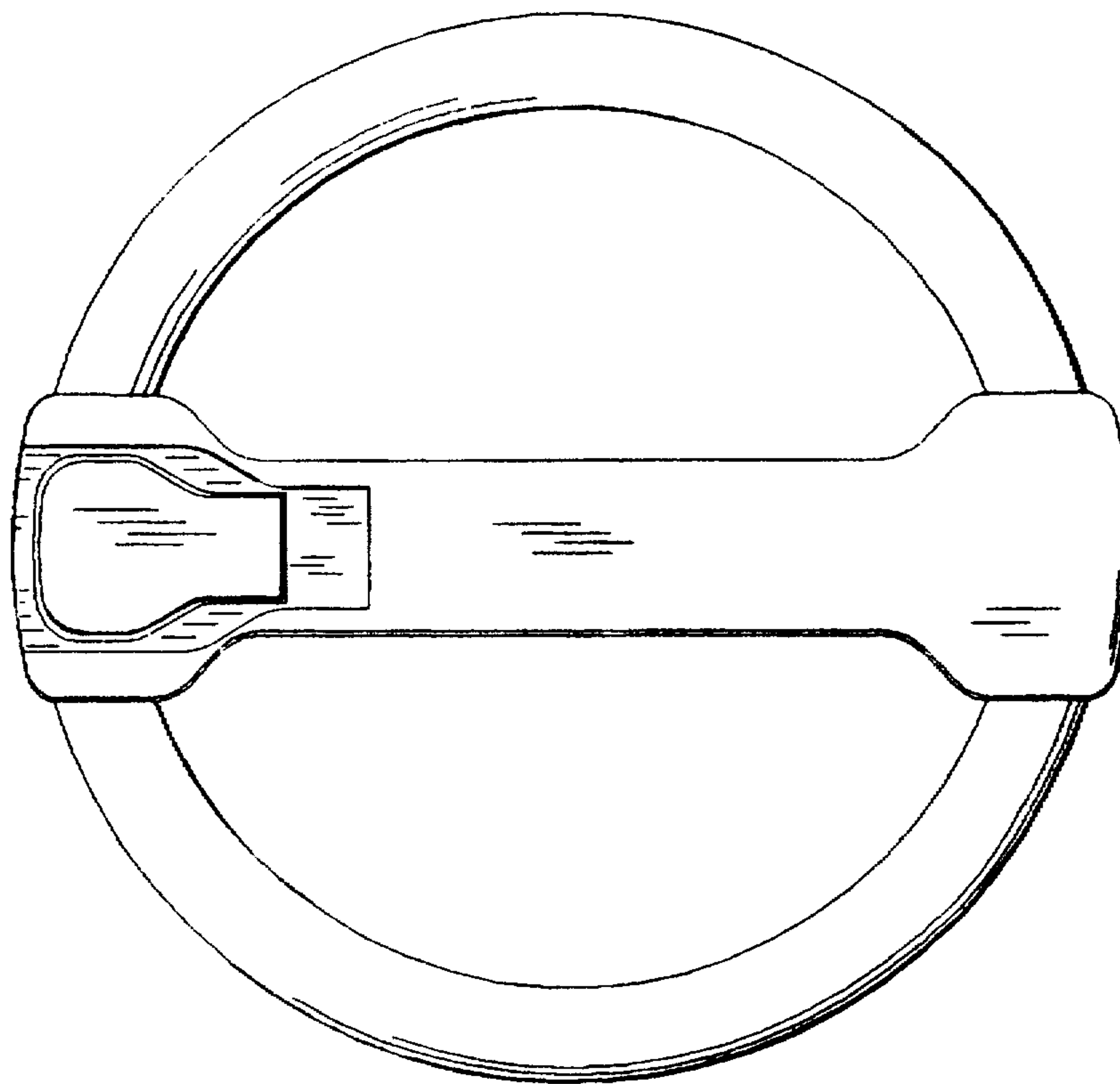
FIG. 10 is a front prospective view thereof.

### [56] References Cited

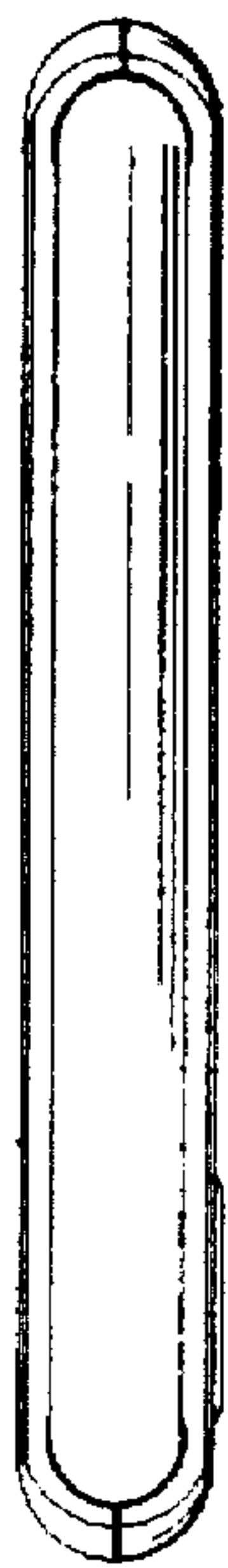
#### U.S. PATENT DOCUMENTS

D. 57,928	5/1921	Payne	.....	D3/207
221,571	11/1879	Jopson	.....	D3/207
D. 241,539	9/1976	Iverson	.....	D3/207
D. 283,036	3/1986	Strongwater	.....	D3/207

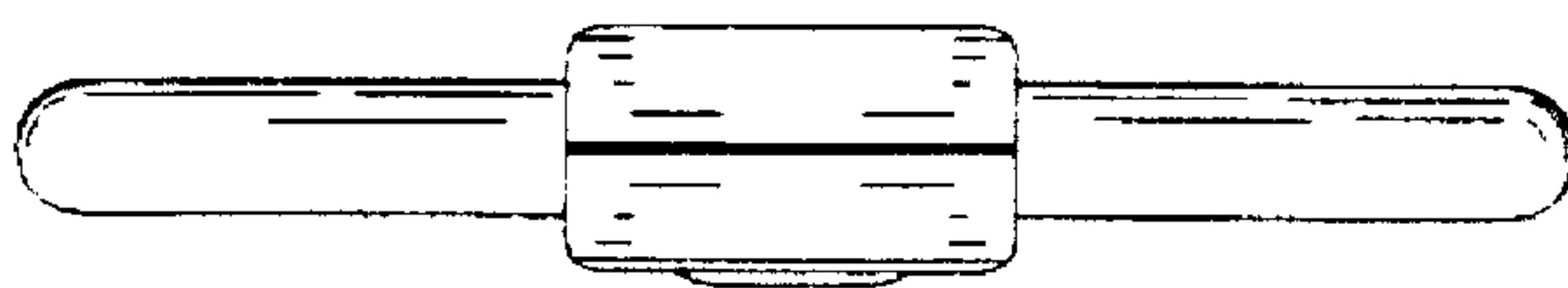
**1 Claim, 3 Drawing Sheets**



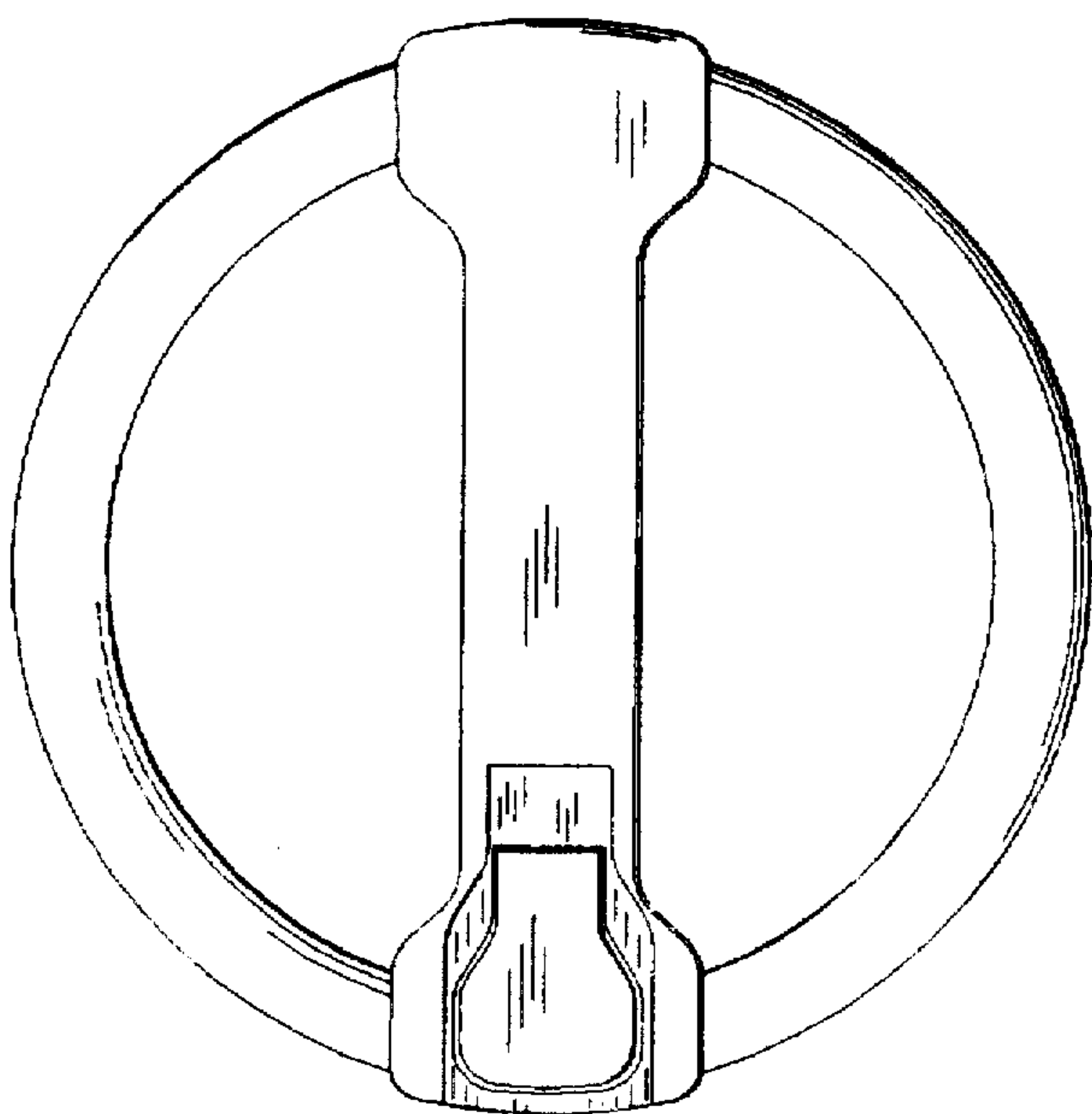
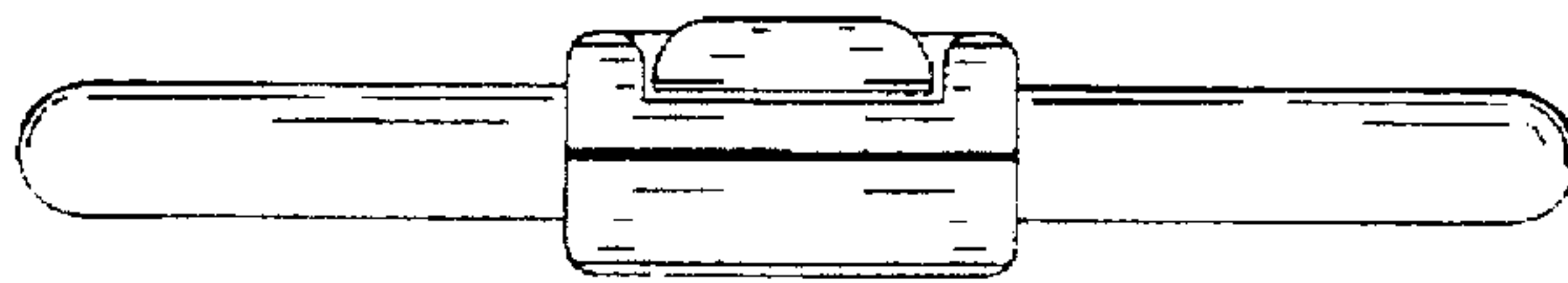
*Fig. 4*



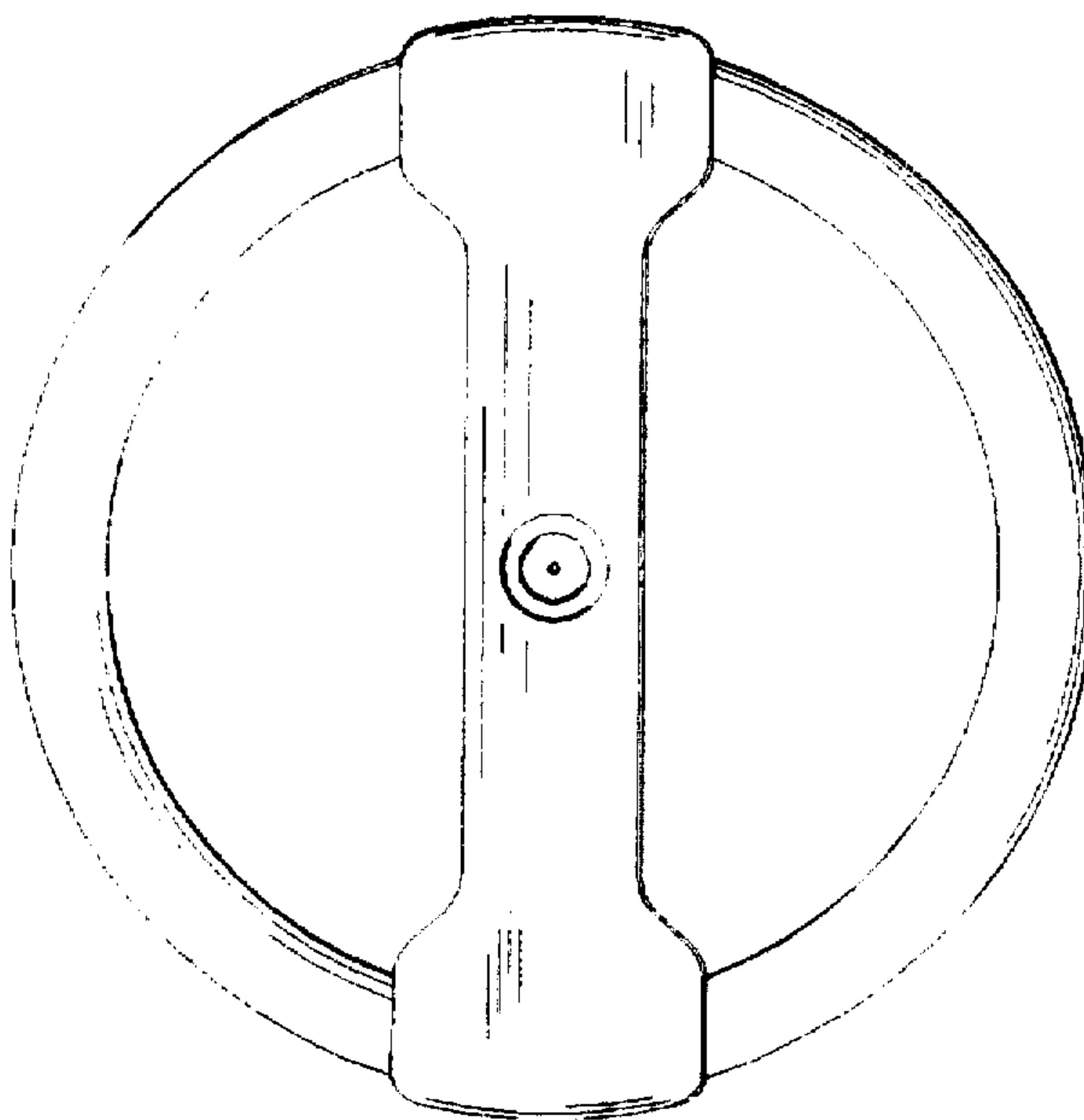
*Fig. 5*



*Fig. 3*



*Fig. 1*

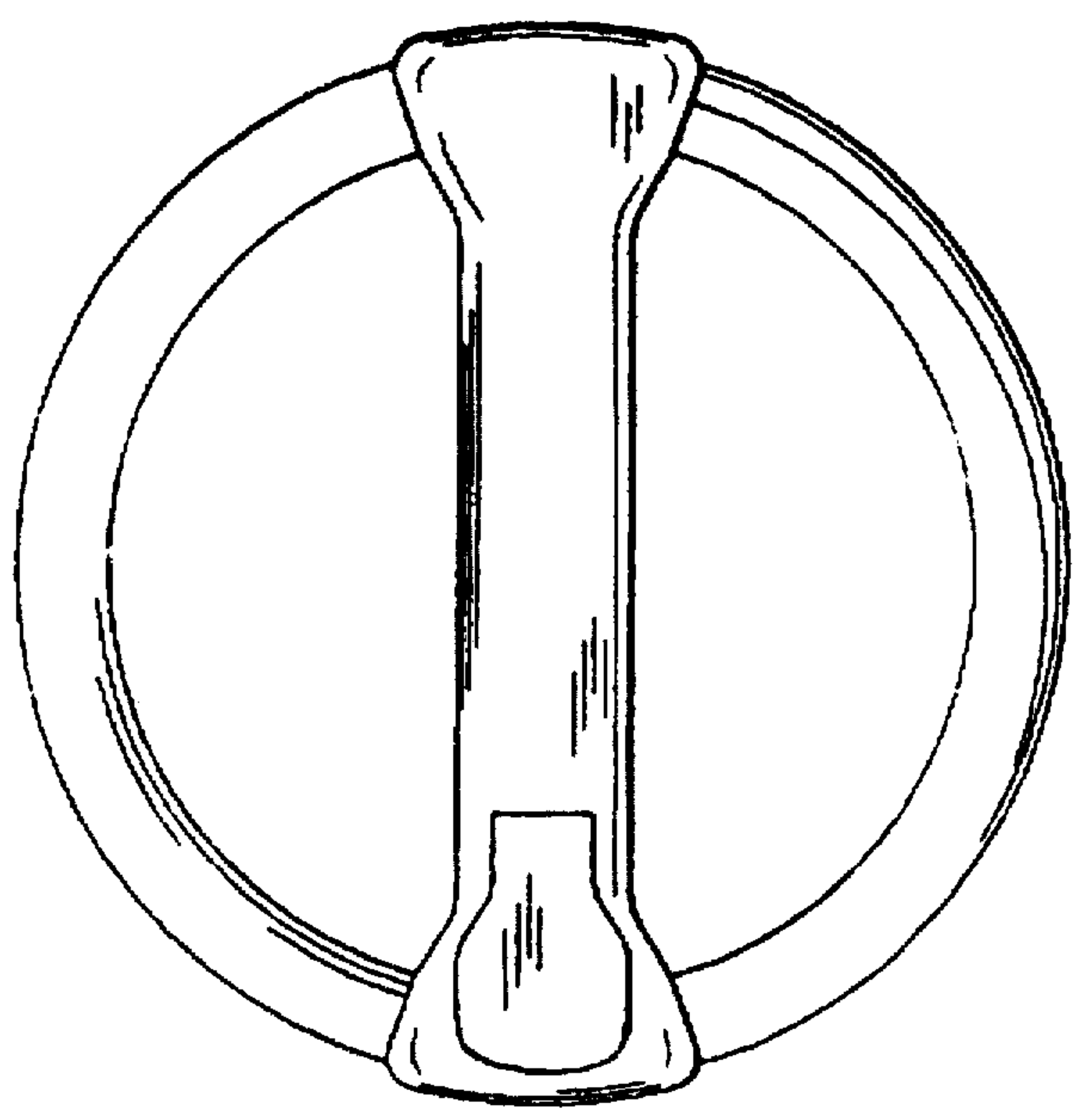


*Fig. 2*

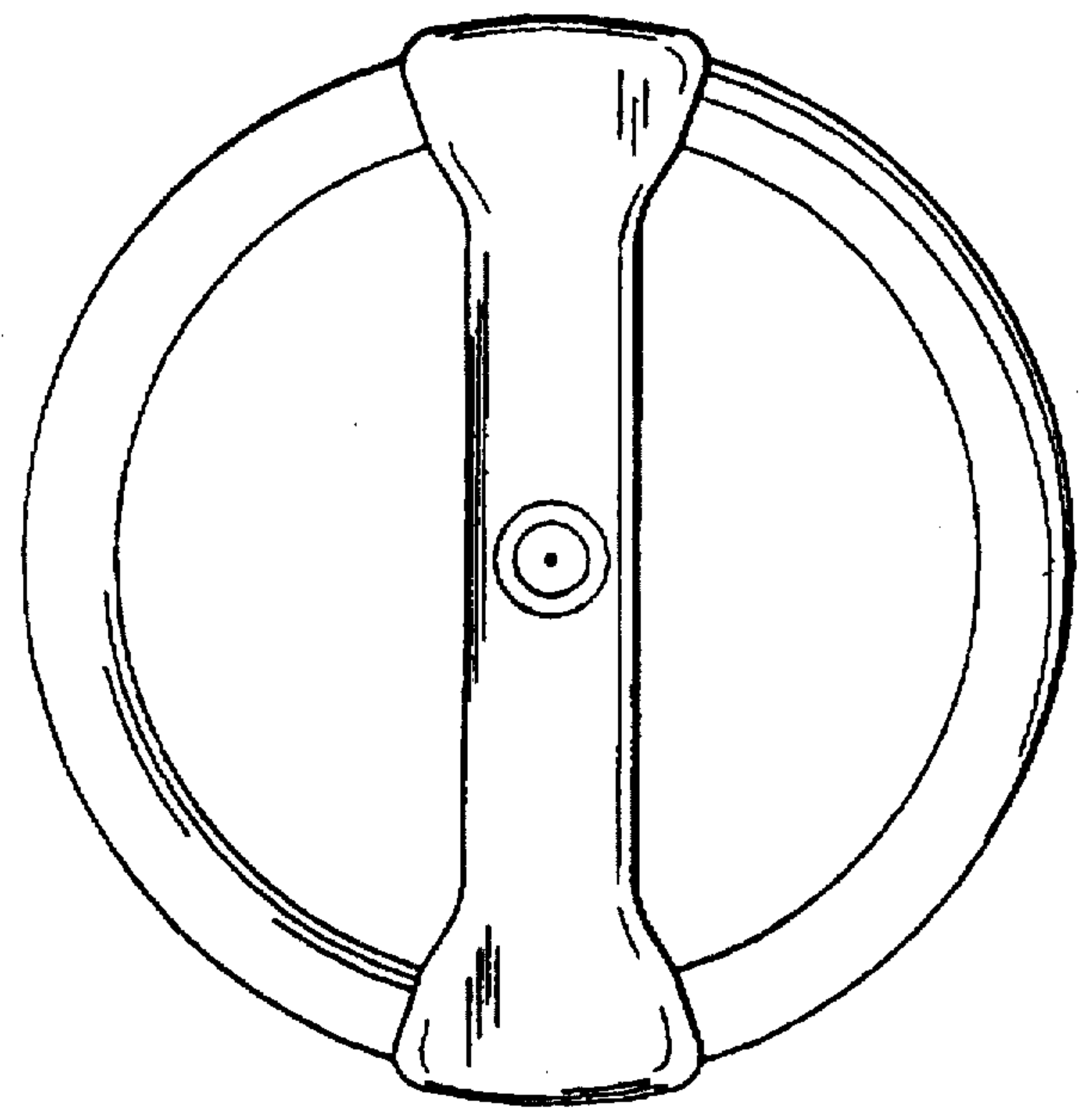
*Fig. 9*



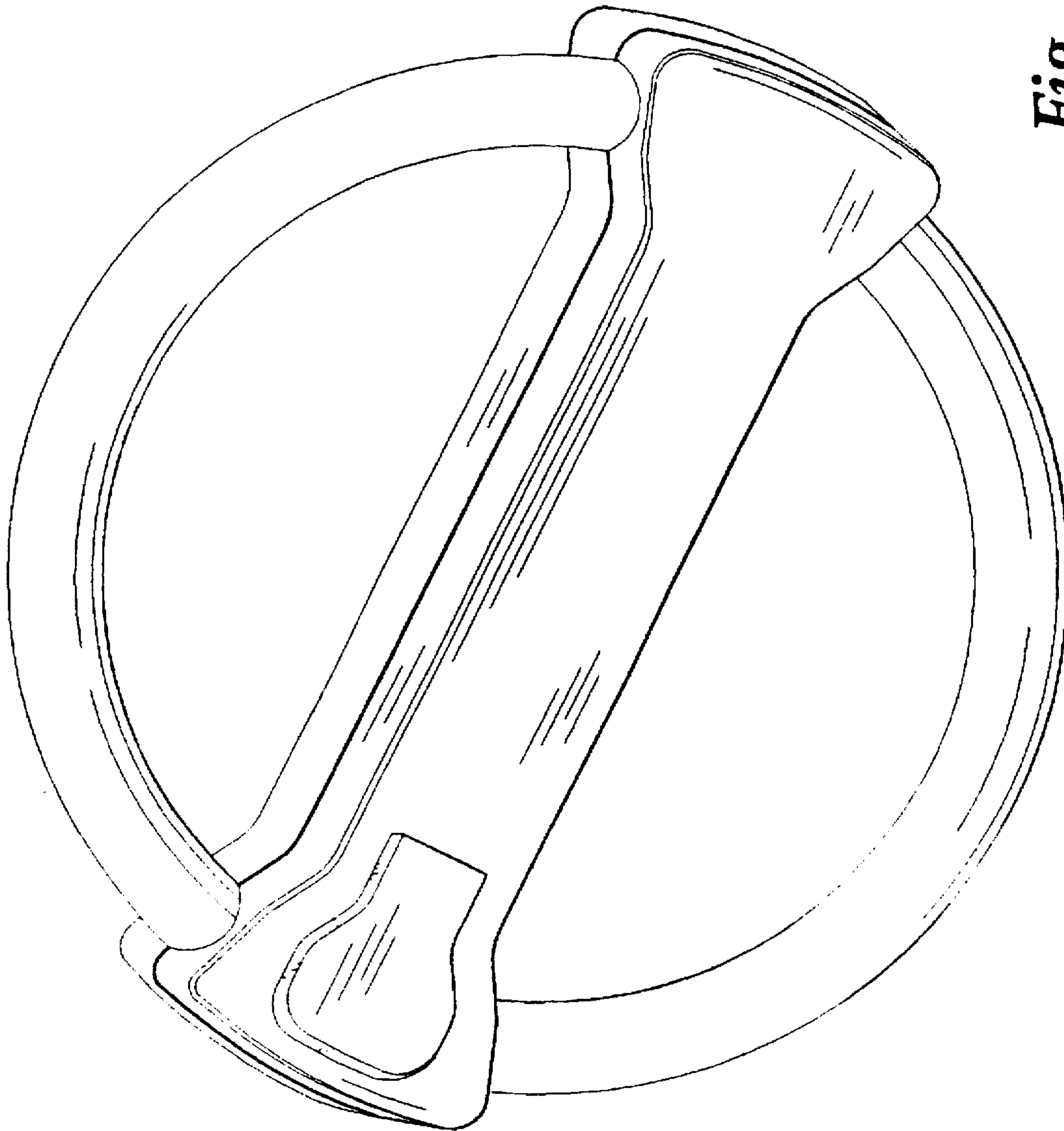
*Fig. 8*



*Fig. 6*



*Fig. 7*



*Fig. 10*