



US00D383585S

United States Patent [19]

Perez

[11] Patent Number: **Des. 383,585**

[45] Date of Patent: ****Sep. 16, 1997**

[54] CHILDREN'S MEDICATED SUCKER

[75] Inventor: **Robert M. Perez**, San Francisco, Calif.

[73] Assignee: **Robert Matthew Perez**, San Francisco, Calif.

[**] Term: **14 Years**

[21] Appl. No.: **58,123**

[22] Filed: **Aug. 8, 1996**

[51] LOC (6) Cl. **01-01**

[52] U.S. Cl. **D1/102; D1/104; D1/106**

[58] Field of Search **D24/194, 195, D24/193; 606/234, 235, 236; D1/127, 102, 101, 105, 106, 104; D20/37; 424/451, 457, 464, 465, 468-470, 472, 474, 440; 426/75, 134**

[56] References Cited

U.S. PATENT DOCUMENTS

D. 323,417	1/1992	Cacia	D1/102
1,915,614	6/1933	Parker	D1/102 X
4,551,329	11/1985	Harris et al.	424/440

Primary Examiner—Stella Reid

Attorney, Agent, or Firm—Ivarm Kaardal & Associates; Jeffrey A. Proehl; Douglas E. Mackenzie

[57] CLAIM

The ornamental design for a children's medicated sucker, as shown.

DESCRIPTION

FIG. 1 is a front plan view of the children's medicated sucker of the present invention;

FIG. 2 is a rear plan view of the children's medicated sucker of FIG. 1;

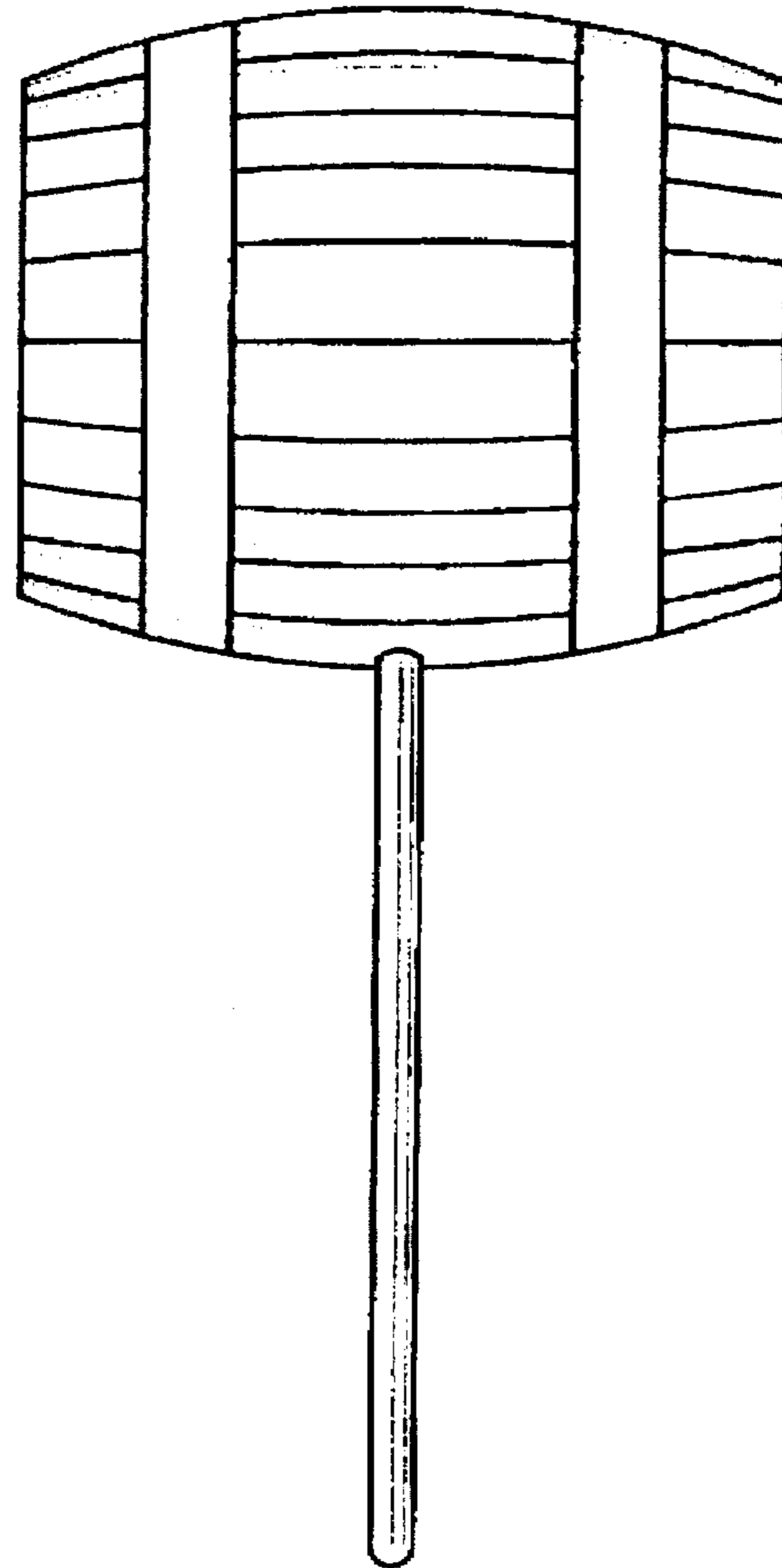
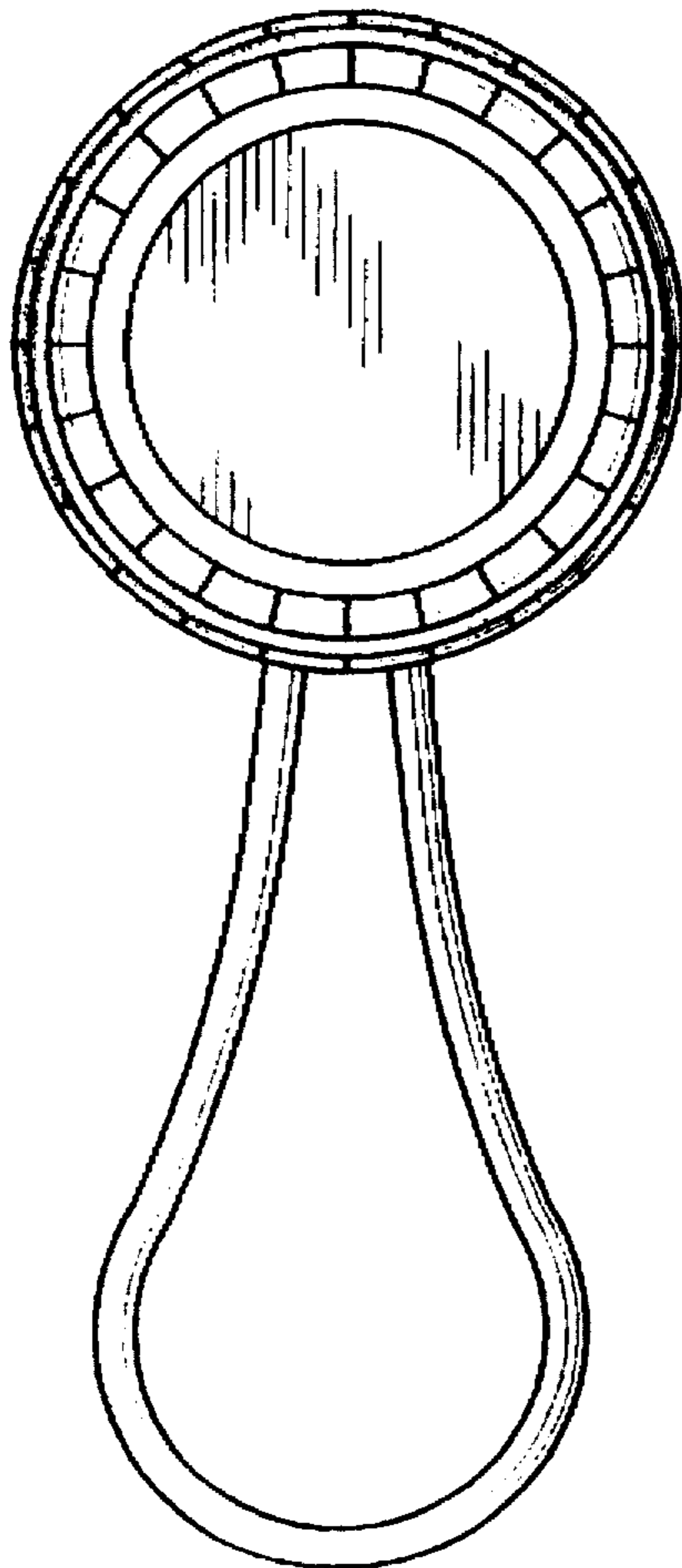
FIG. 3 is a left side plan view of the children's medicated sucker of FIG. 1;

FIG. 4 is a right side plan view of the children's medicated sucker of FIG. 1;

FIG. 5 is a top plan view of the children's medicated sucker of FIG. 1; and,

FIG. 6 is a bottom plan view of the children's medicated sucker of FIG. 1.

1 Claim, 3 Drawing Sheets



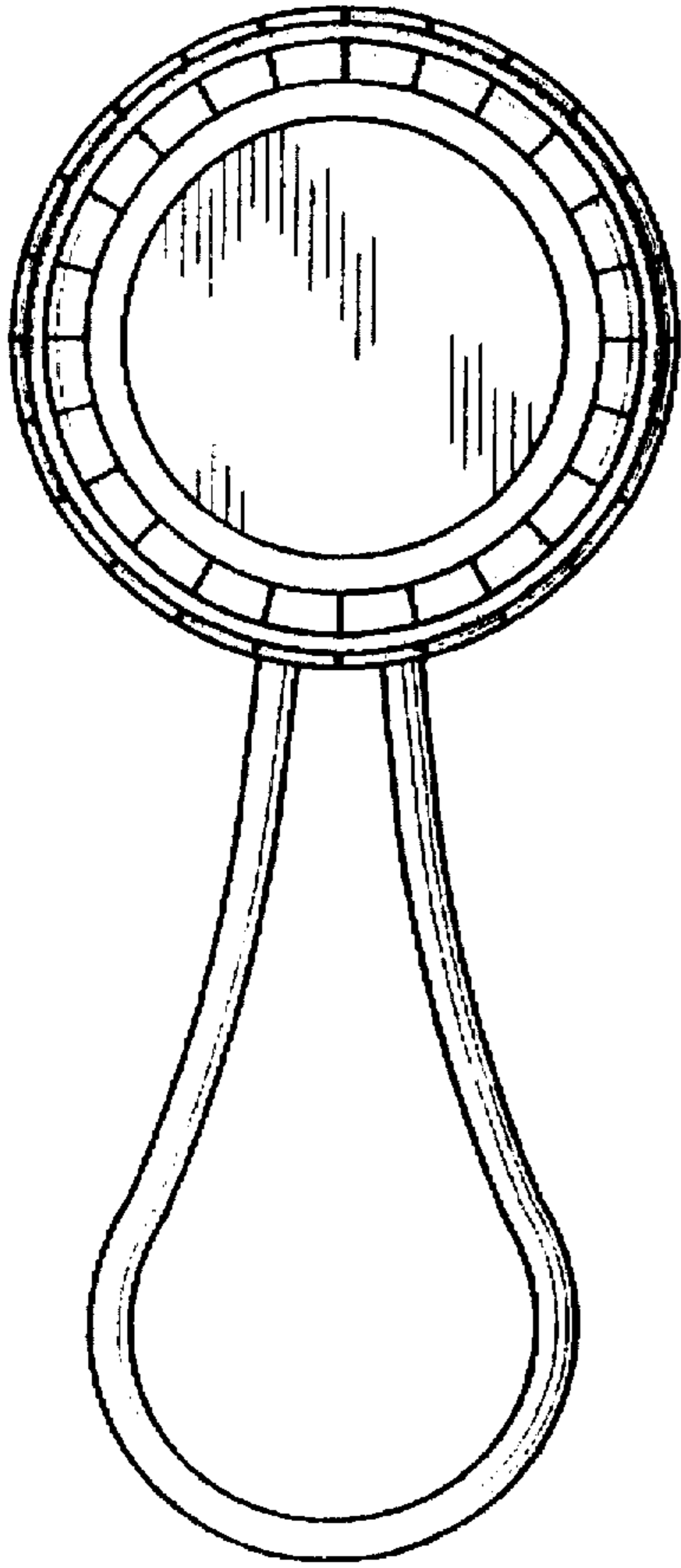


Fig. 1

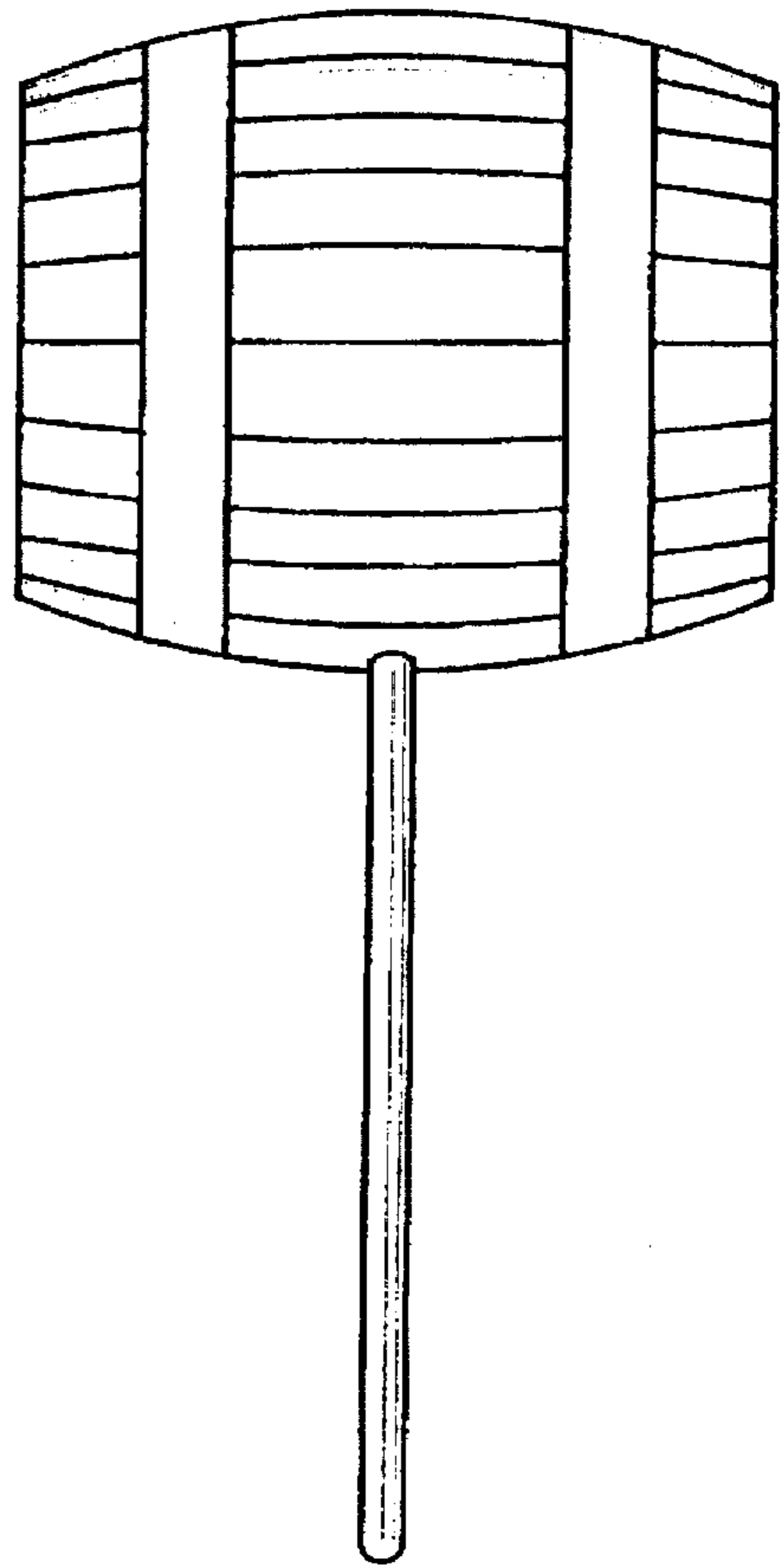


Fig. 4

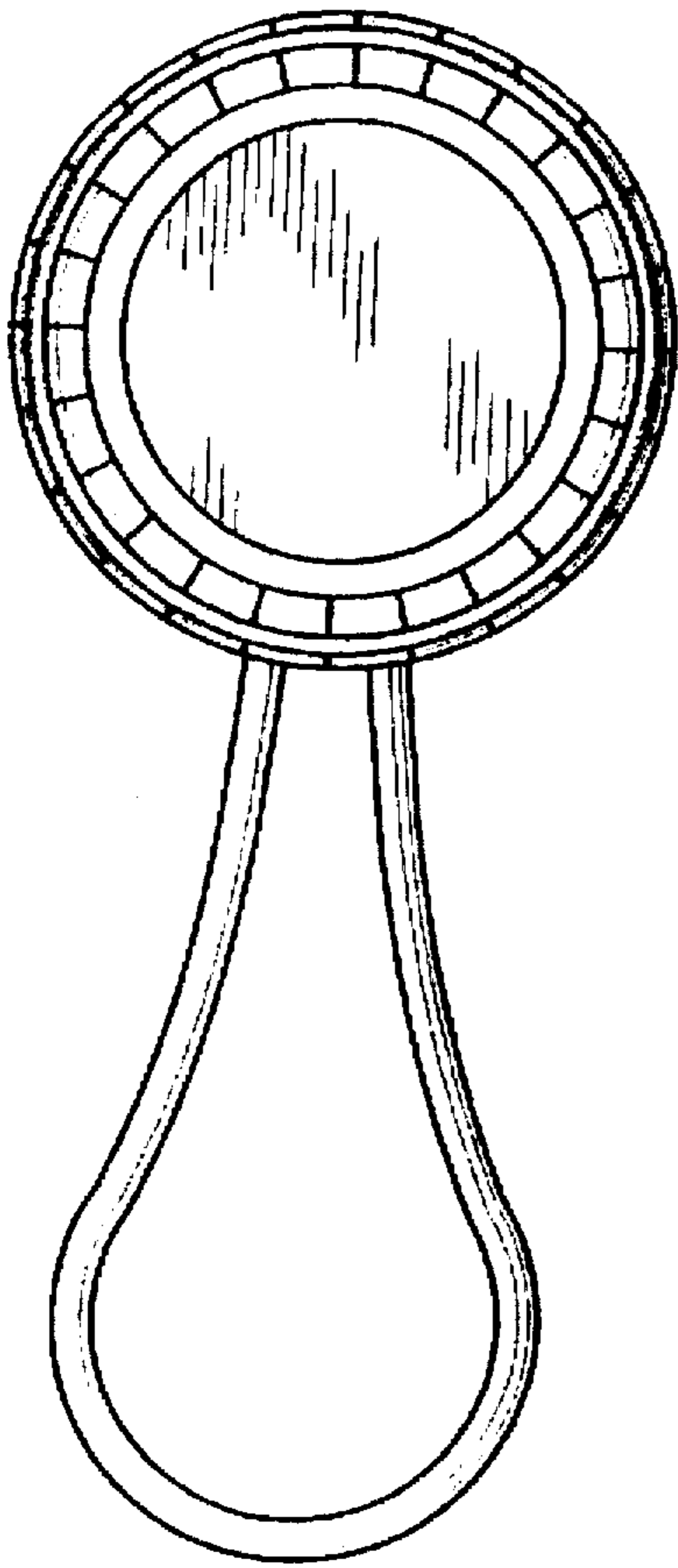


Fig. 2

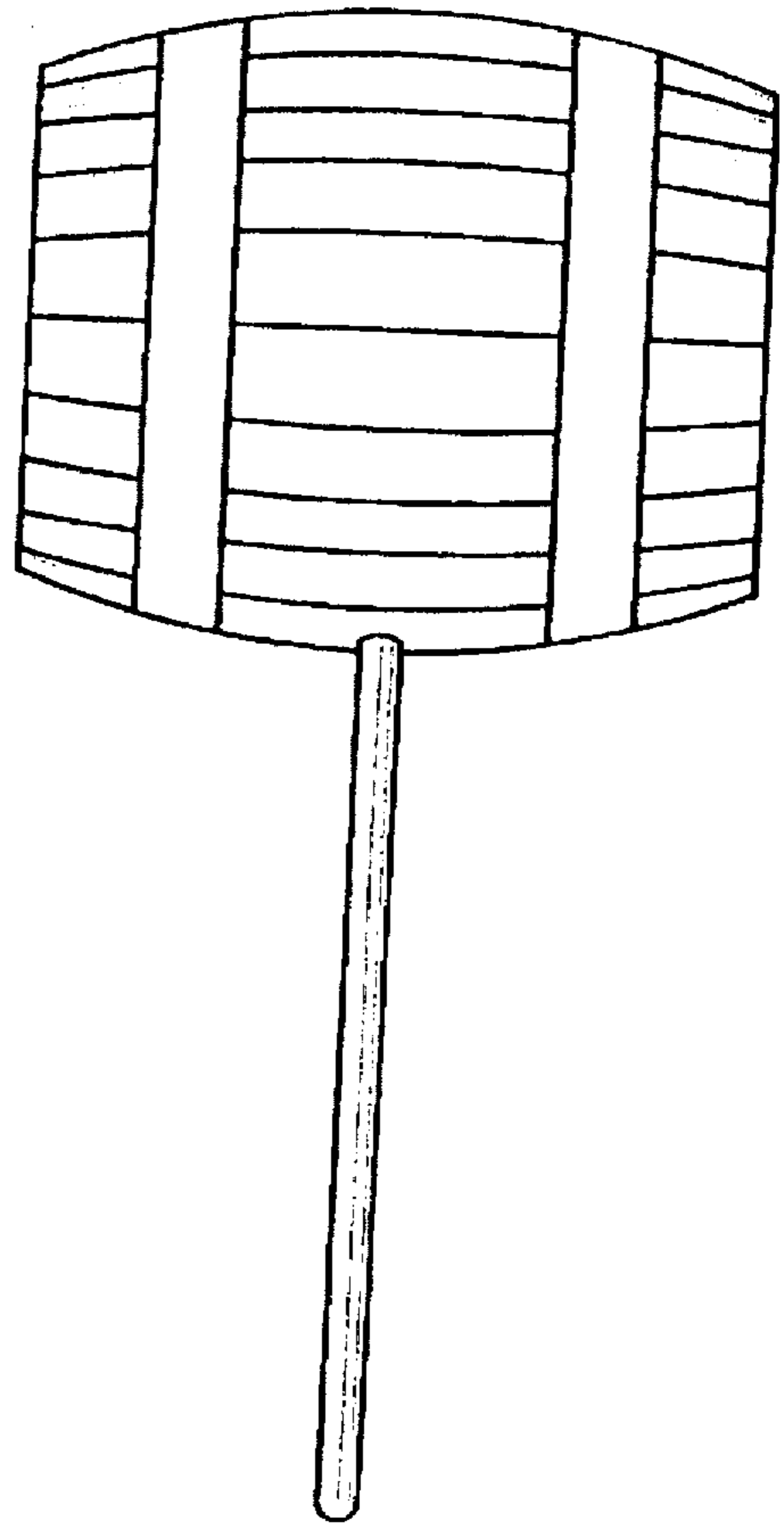


Fig. 3

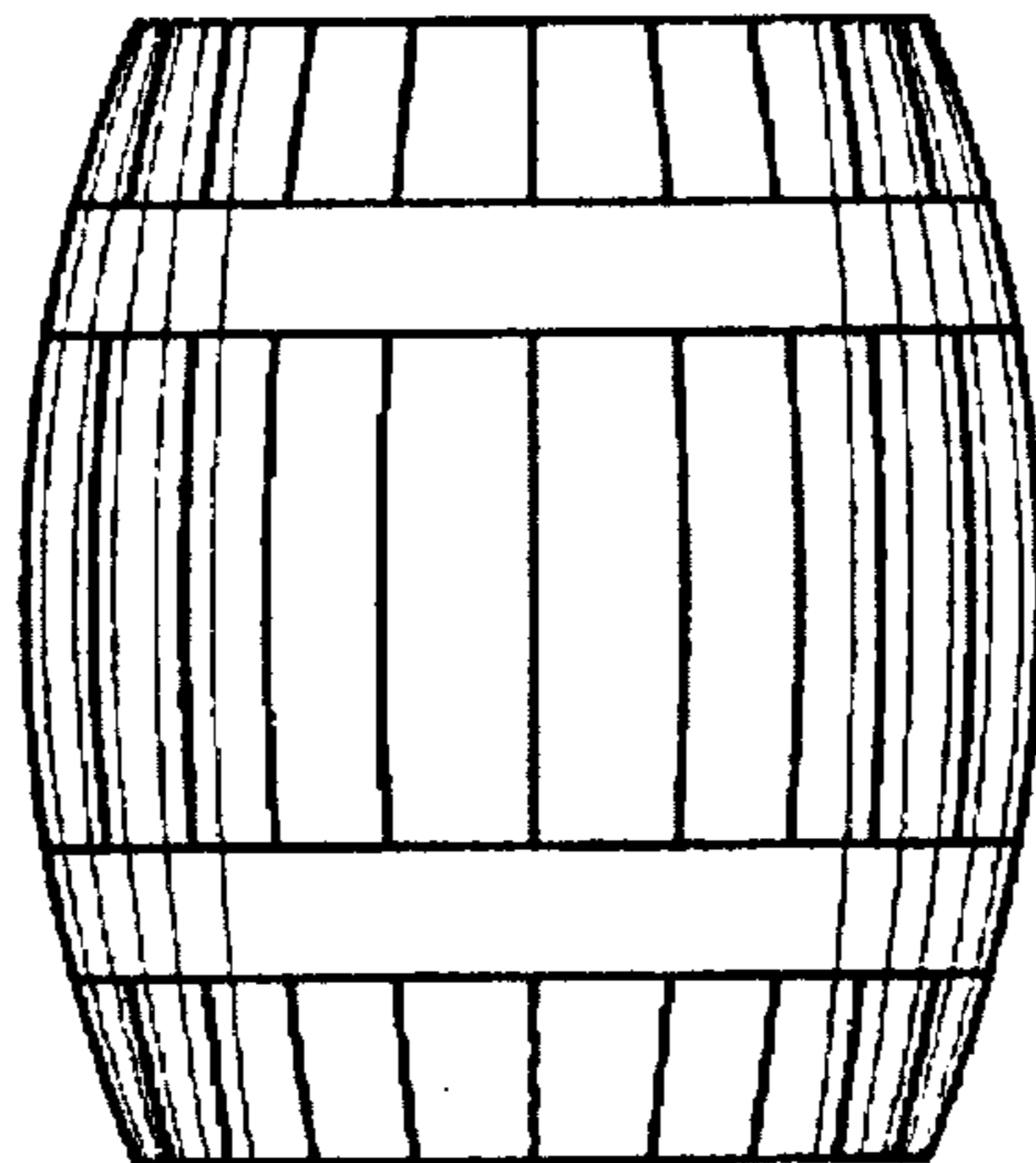


Fig. 5

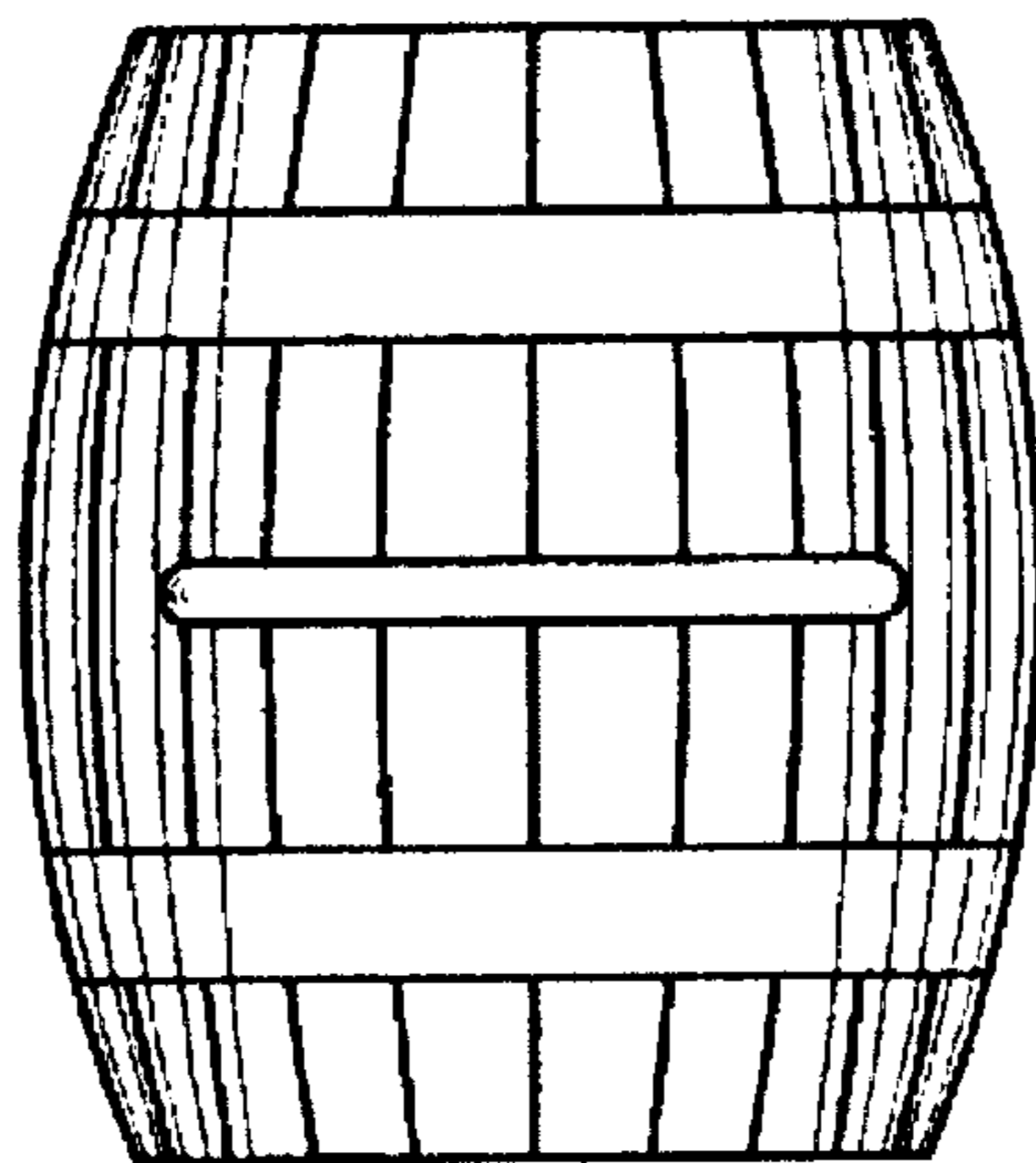


Fig. 6