



US00D383583S

United States Patent [19]
Ashinhurst

[11] **Patent Number: Des. 383,583**
[45] **Date of Patent: **Sep. 9, 1997**

[54] **ELECTRICIAN'S CART**

[76] **Inventor: William J. Ashinhurst, 1222 Yew St., Bellingham, Wash. 98225**

[**] **Term: 14 Years**

[21] **Appl. No.: 55,992**

[22] **Filed: Jun. 19, 1996**

[51] **LOC (6) Cl. 12-02**

[52] **U.S. Cl. D34/21; D34/20**

[58] **Field of Search D34/12-27; 280/79.11, 280/79.3, 79.2; 211/187, 126, 134; 248/129**

[56] **References Cited**

U.S. PATENT DOCUMENTS

- D. 354,597 1/1995 Crane D34/21
- D. 371,880 7/1996 Mesropian D34/21

Primary Examiner—Kay H. Chin
Attorney, Agent, or Firm—Todd N. Hathaway

[57] **CLAIM**

The ornamental design for an electrician's cart, as shown and described.

DESCRIPTION

FIG. 1 is a front, perspective view of an electrician's cart showing my new design, the spools of wire on the detachable rods of one of the end racks and the pieces of conduit in one of the inclined tube members being shown by broken line image only for the purpose of illustrating the manner in which the article is used, and not themselves forming a part of the claimed design;

FIG. 2 is a front, elevational view thereof;

FIG. 3 is an elevational view of a first end thereof;

FIG. 4 is rear elevational view thereof;

FIG. 5 is an elevational view of a second end thereof;

FIG. 6 is a top plan view thereof; and,

FIG. 7 is a bottom plan view thereof.

1 Claim, 6 Drawing Sheets

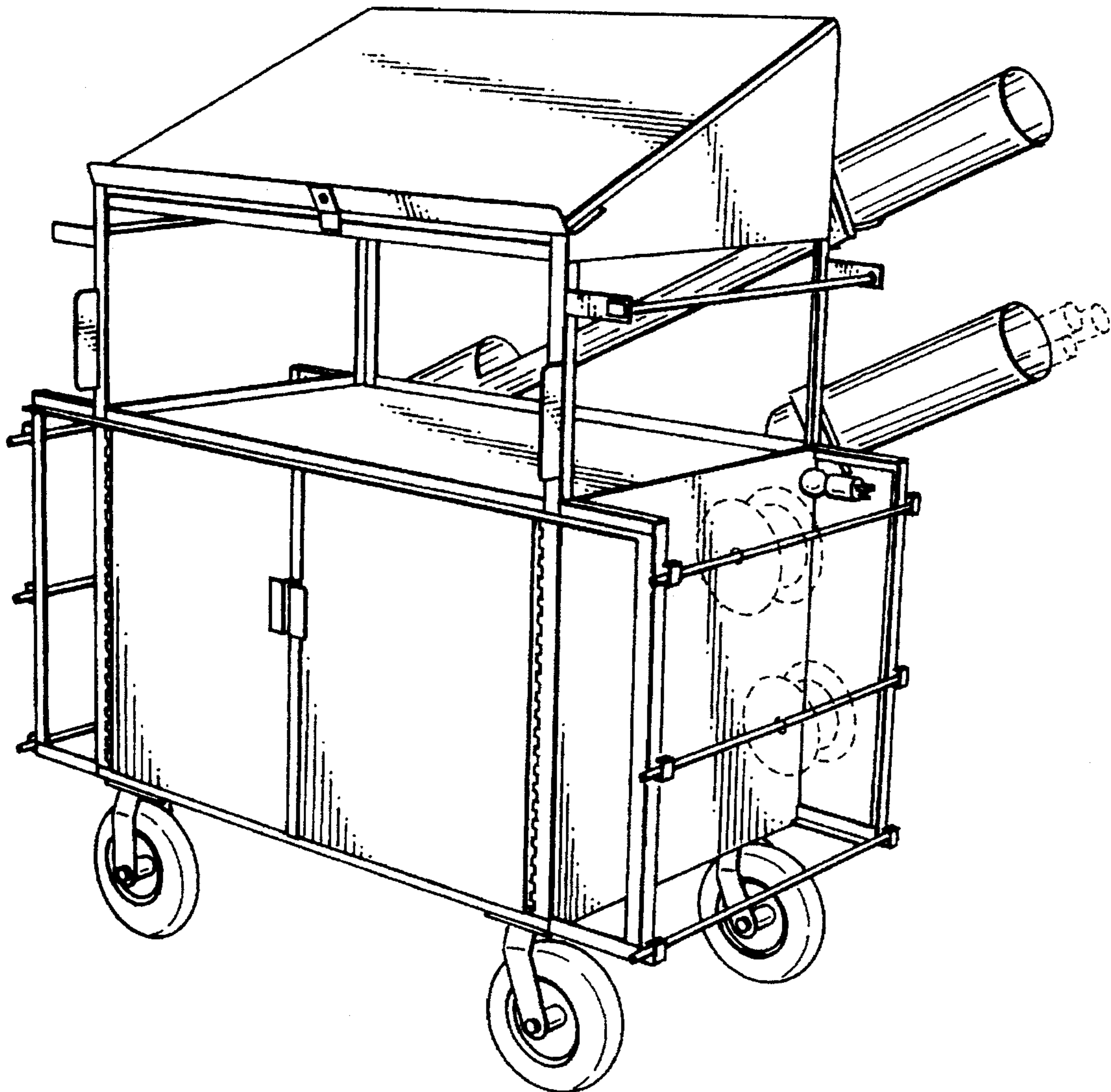


FIG. 1

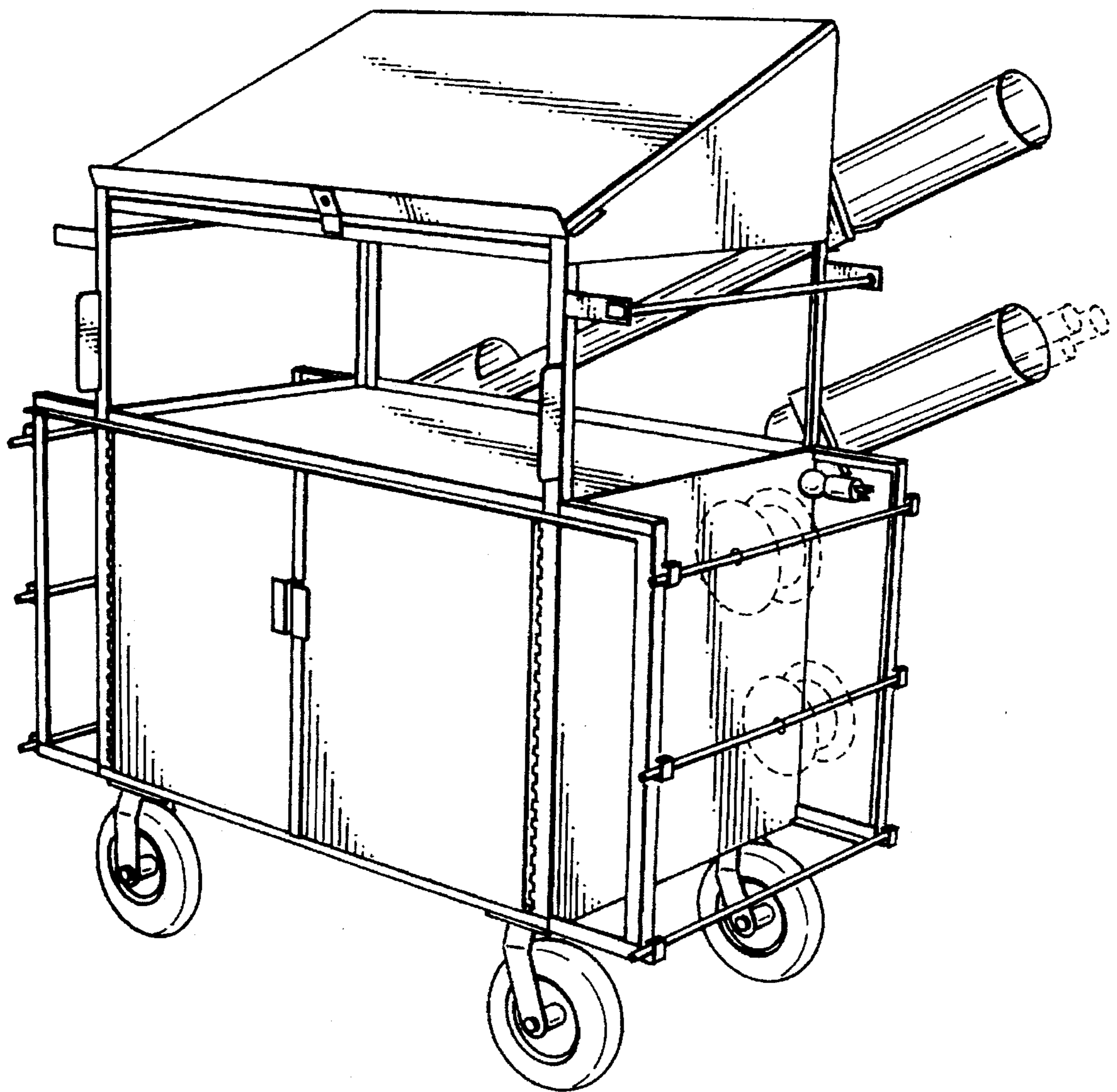


FIG. 2

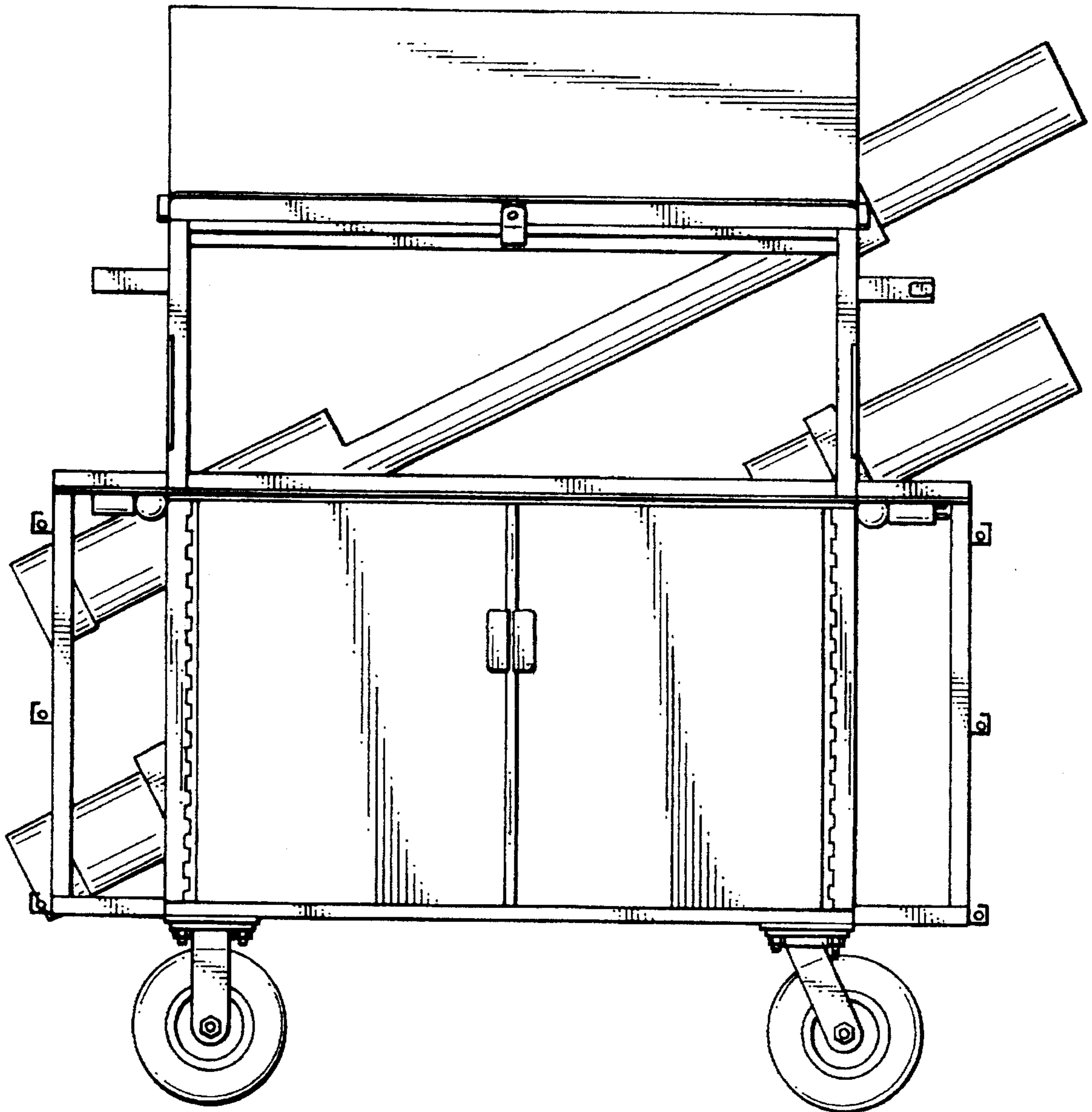


FIG. 3

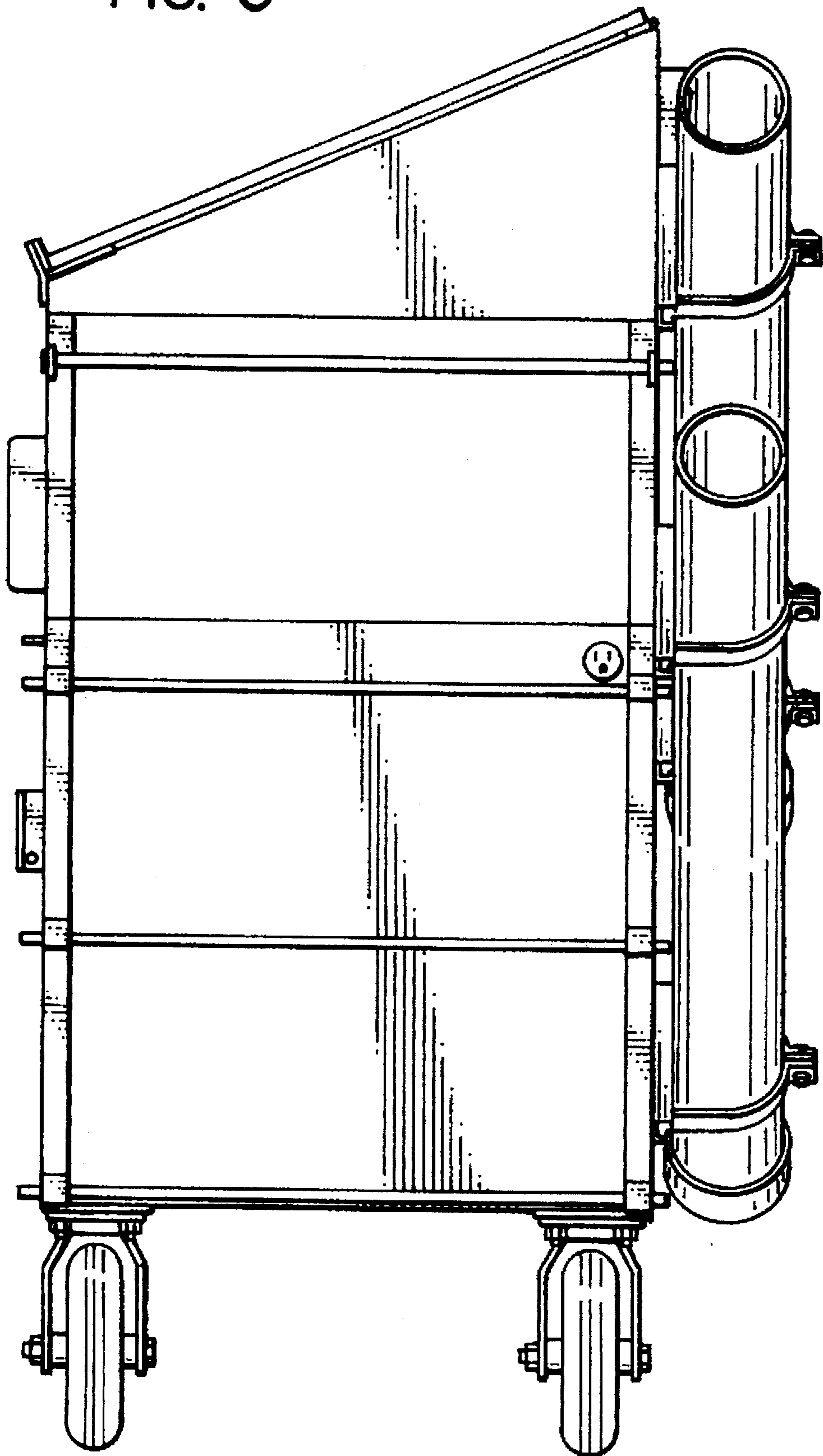


FIG. 4

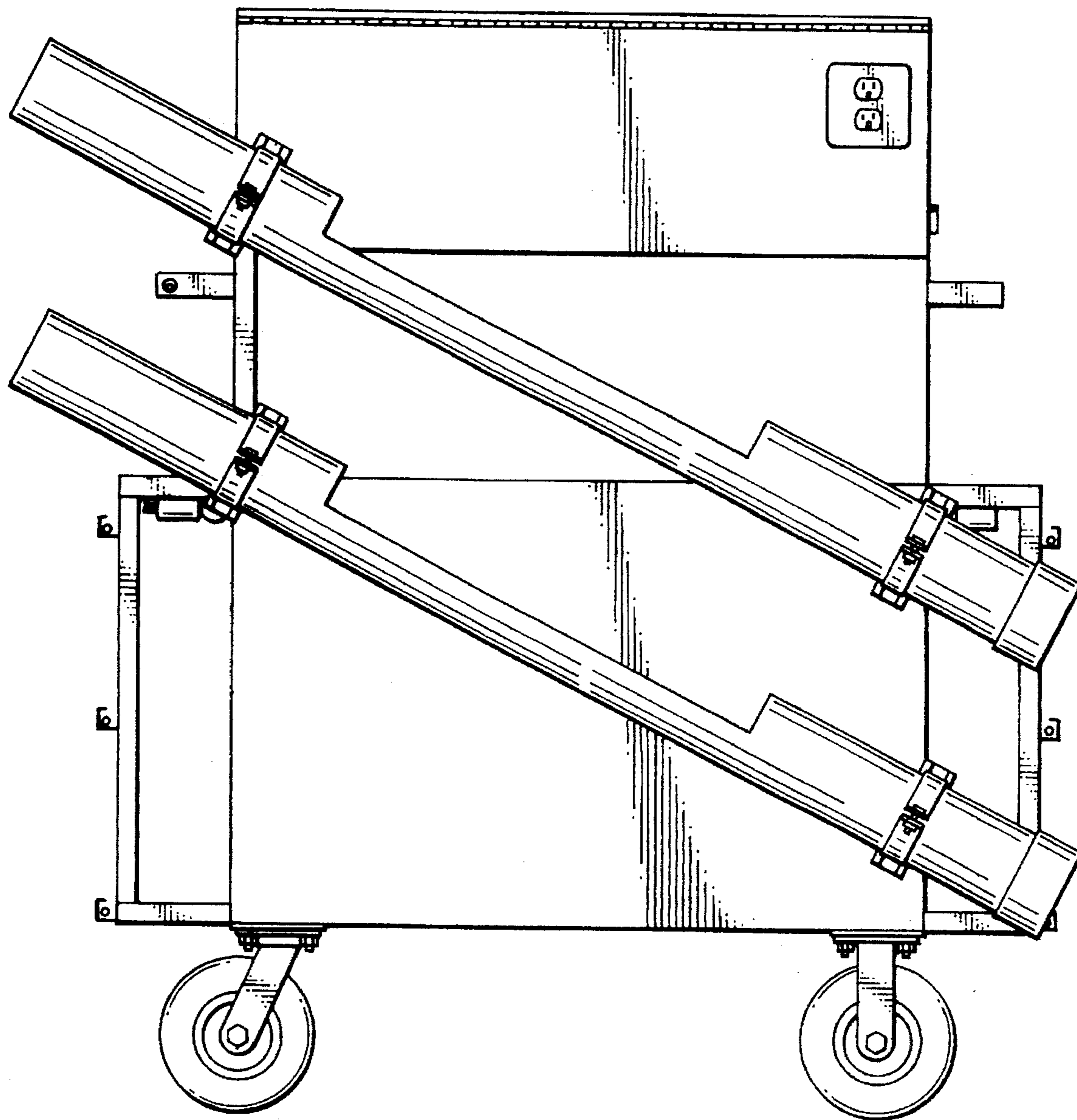


FIG. 5

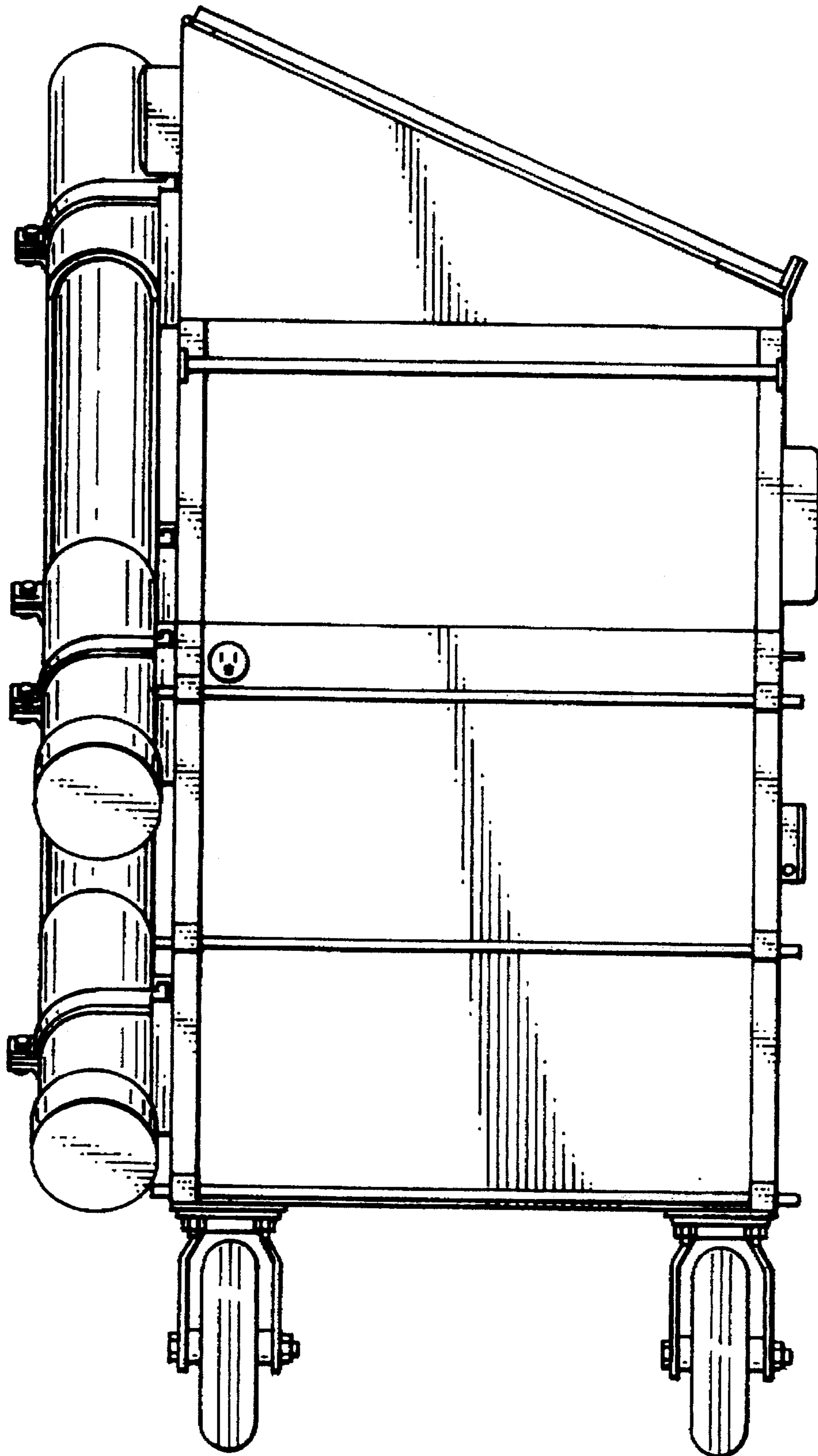


FIG. 6

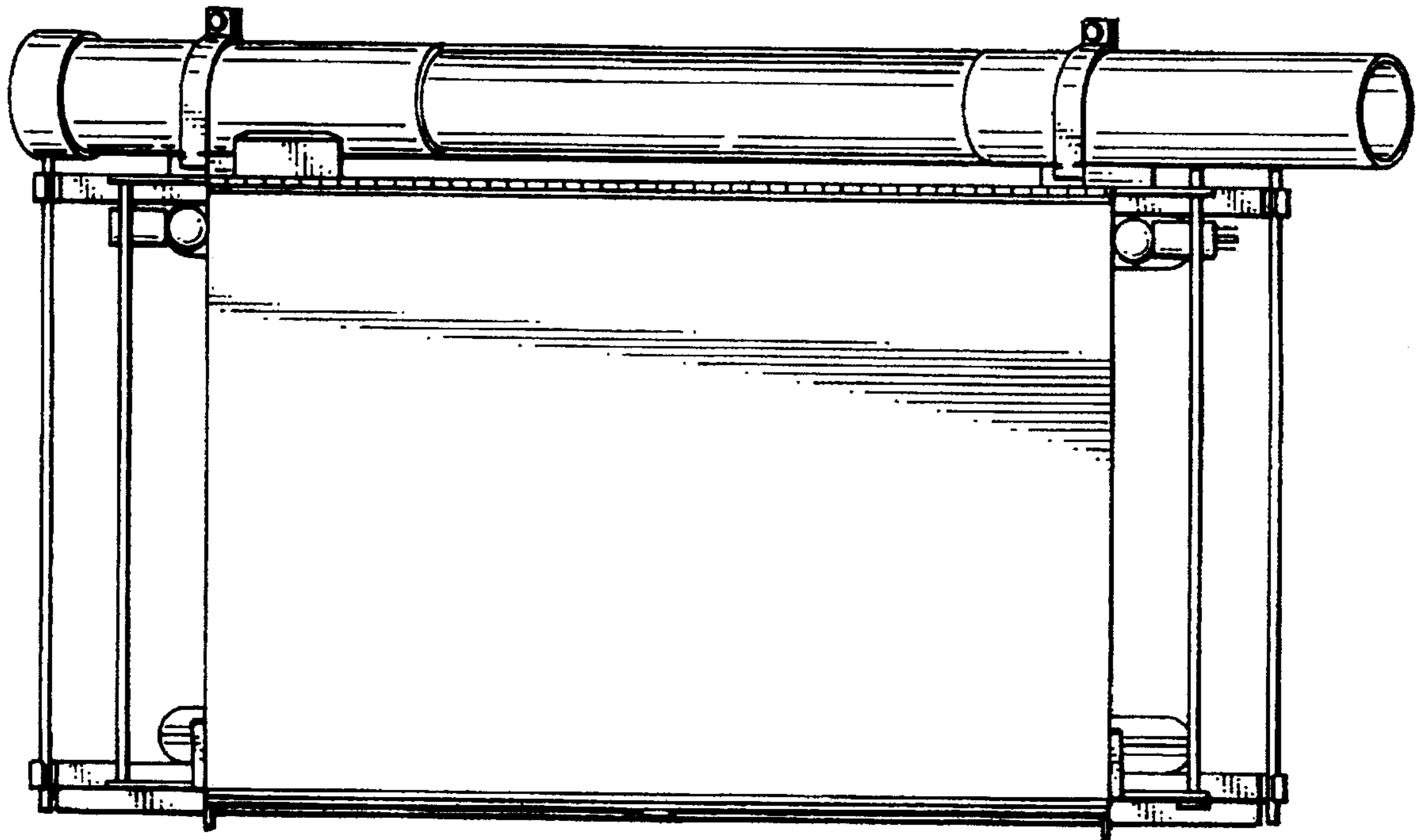


FIG. 7

