



US00D383582S

United States Patent [19]
Sinclair, Jr.

[11] **Patent Number:** **Des. 383,582**
[45] **Date of Patent:** ****Sep. 9, 1997**

- [54] **SNOW REMOVAL DEVICE**
- [76] **Inventor:** **Sylvester Sinclair, Jr.**, 6405 Killarney St., Clinton, Md. 20735
- [**] **Term:** **14 Years**
- [21] **Appl. No.:** **59,212**
- [22] **Filed:** **Sep. 5, 1996**
- [51] **LOC (6) Cl.** **12-02**
- [52] **U.S. Cl.** **D34/18; D34/16; D34/12; D8/10**
- [58] **Field of Search** **D34/24, 16, 17, D34/12, 18; D8/10; 37/265, 434, 285; 280/47.24; 294/54.5, 55**

3503250 7/1986 Germany .
444209 2/1968 Switzerland .

Primary Examiner—Kay H. Chin
Attorney, Agent, or Firm—Richard C. Litman

[57] **CLAIM**

The ornamental design for a snow removal device, as shown and described.

DESCRIPTION

FIG. 1 is an environmental perspective view of a snow removal device showing my new design;
 FIG. 2 is a top plan view thereof;
 FIG. 3 is a right side elevational view with the left side being a mirror image thereof;
 FIG. 4 is a front elevational view thereof;
 FIG. 5 is a rear elevational view thereof;
 FIG. 6 is a bottom view thereof; and,
 FIG. 7 is an environmental perspective view thereof.

The broken line showing of the gauge in FIG. 7 is for illustrative purposes only, merely disclosing a device which can be used, and forms no part of the claimed design. The broken line showing of the human figure in FIG. 7 is for illustrative purposes only and forms no part of the claimed design.

[56] **References Cited**

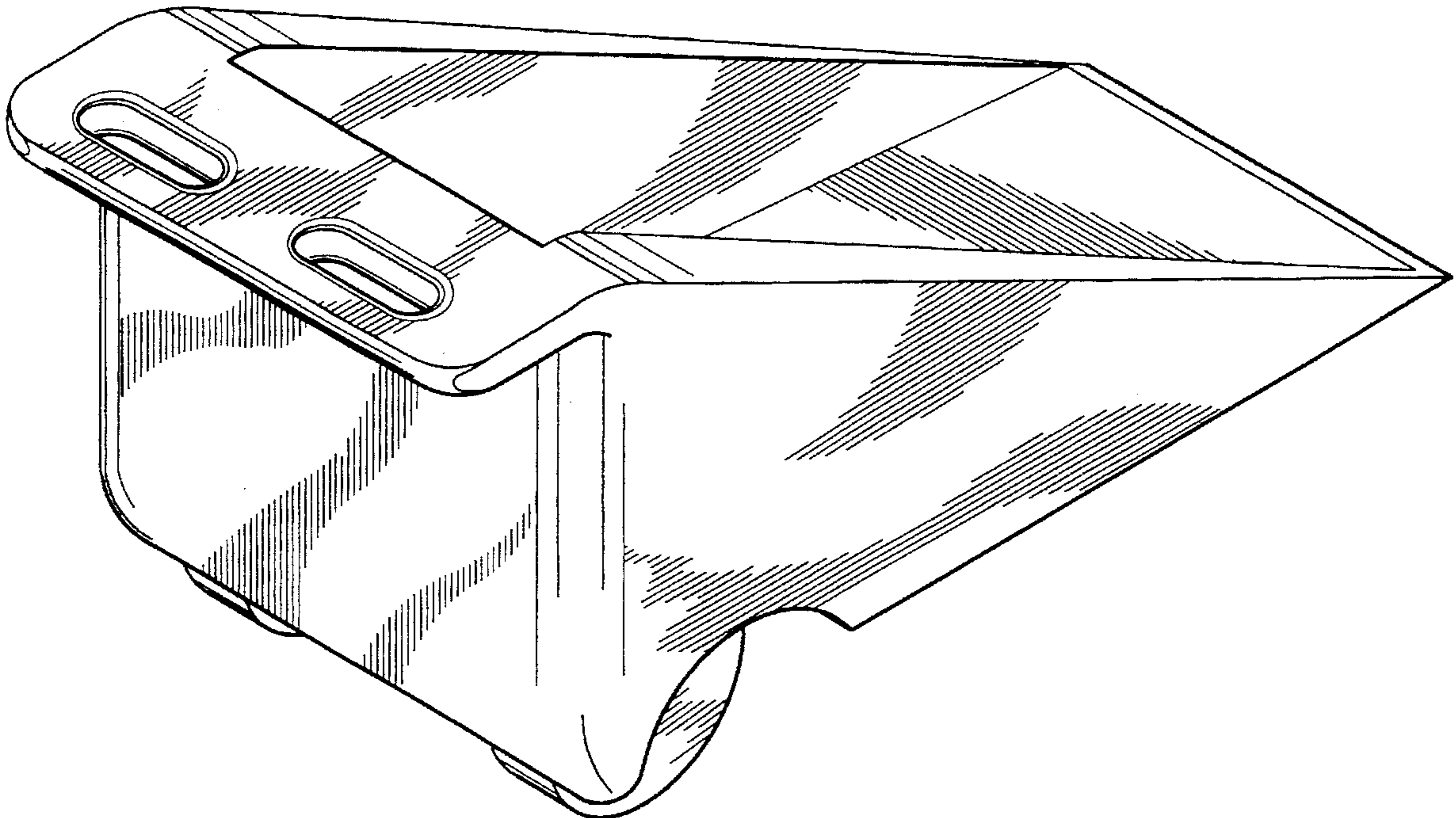
U.S. PATENT DOCUMENTS

- 2,997,796 8/1961 Pogue et al. .
- 3,475,838 11/1969 Hagen et al. .
- 4,161,073 7/1979 Oakes .
- 4,245,411 1/1981 McMath .
- 4,629,203 12/1986 Ballard .
- 5,056,245 10/1991 Jenkins et al. .

FOREIGN PATENT DOCUMENTS

- 624696 8/1961 Canada .

1 Claim, 5 Drawing Sheets



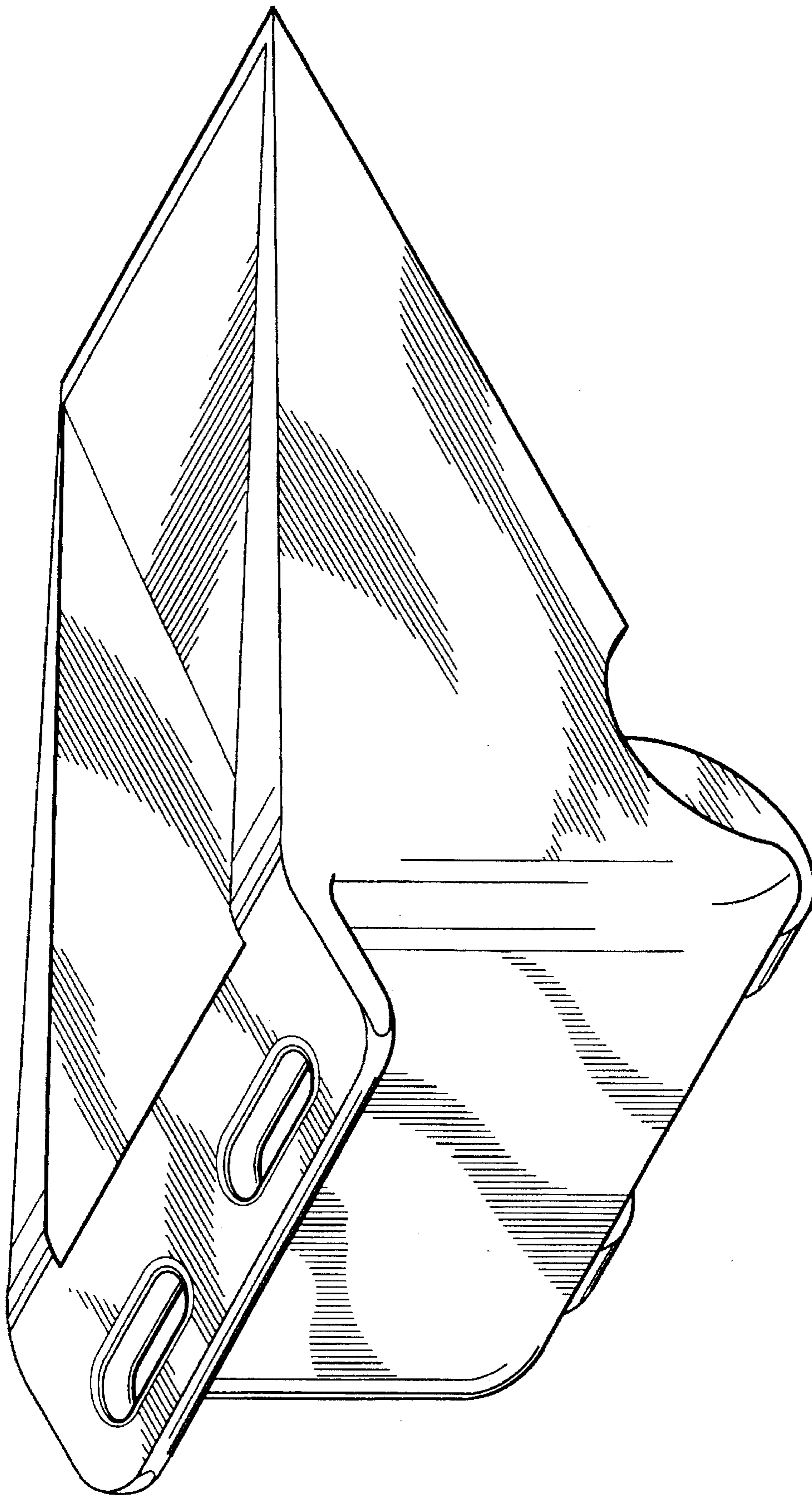


Fig. 1

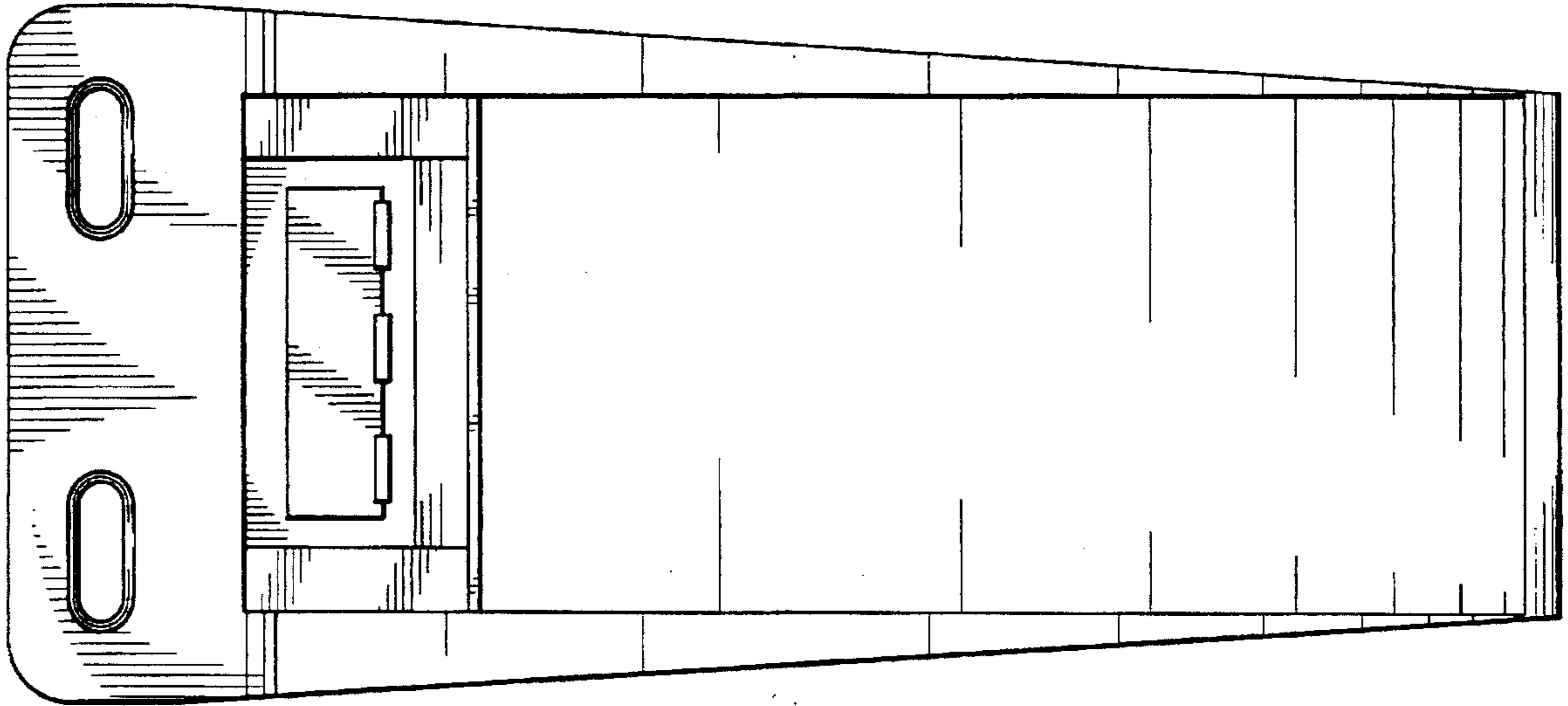


Fig. 2

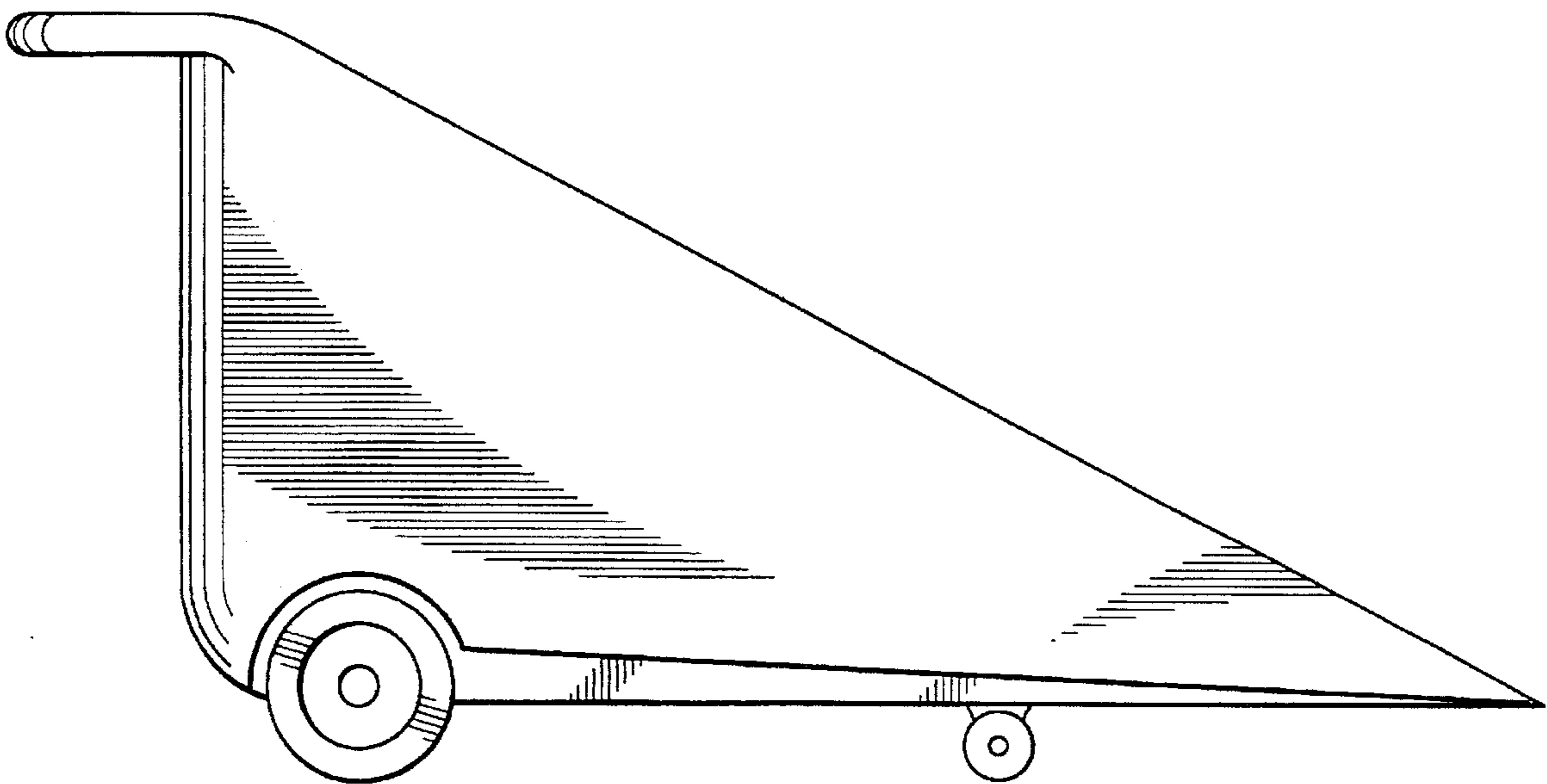


Fig. 3

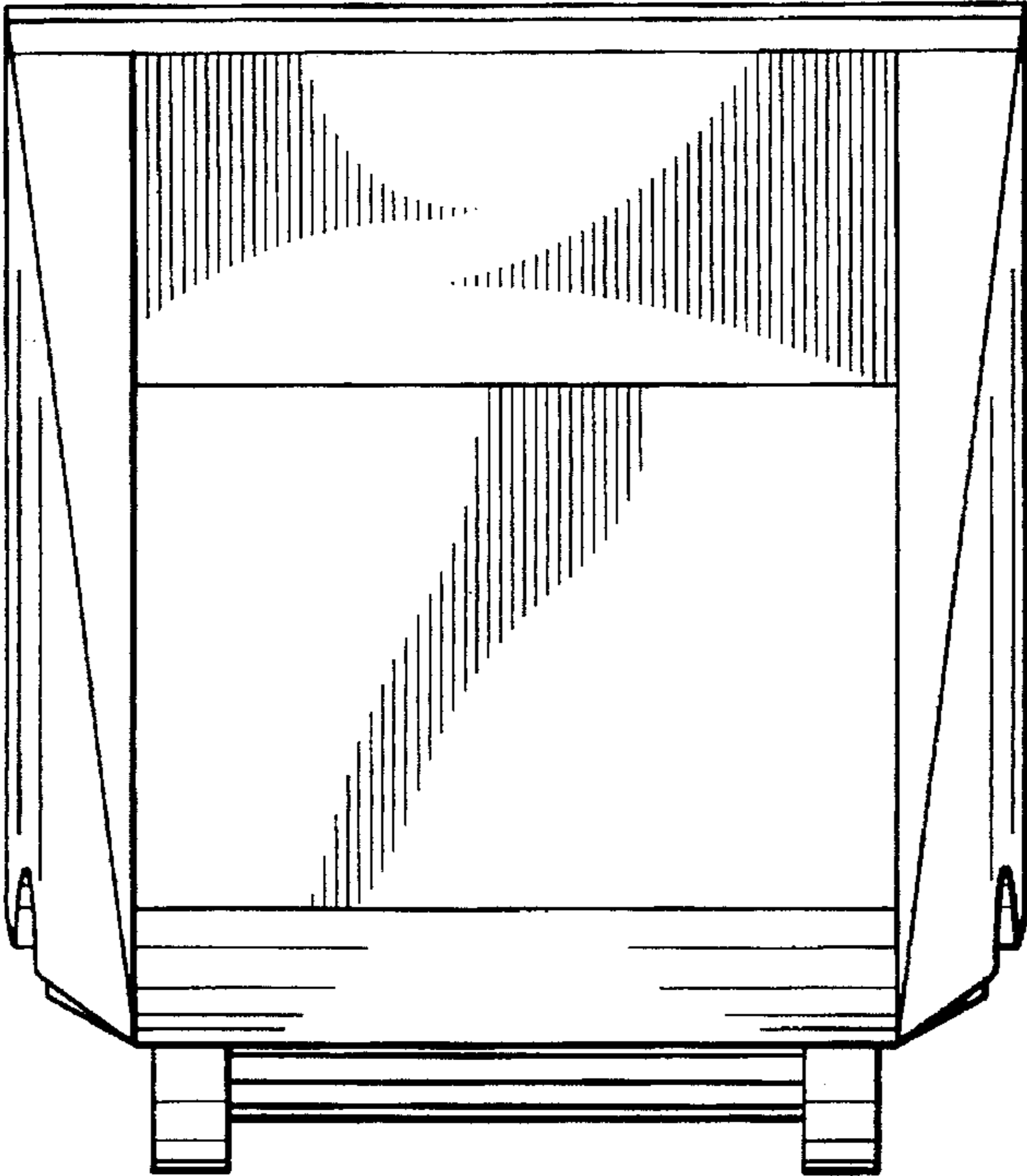


Fig. 4

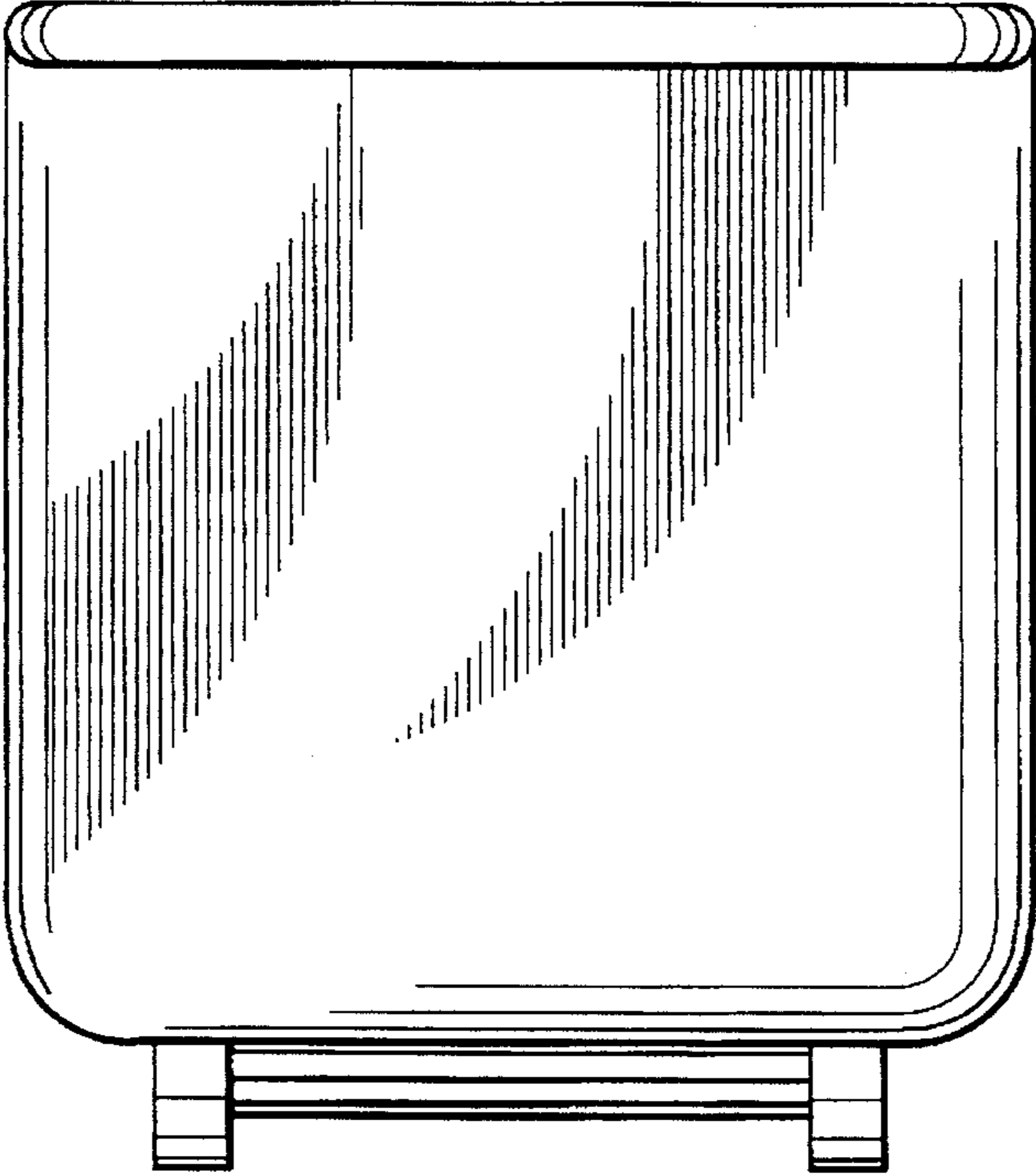


Fig. 5

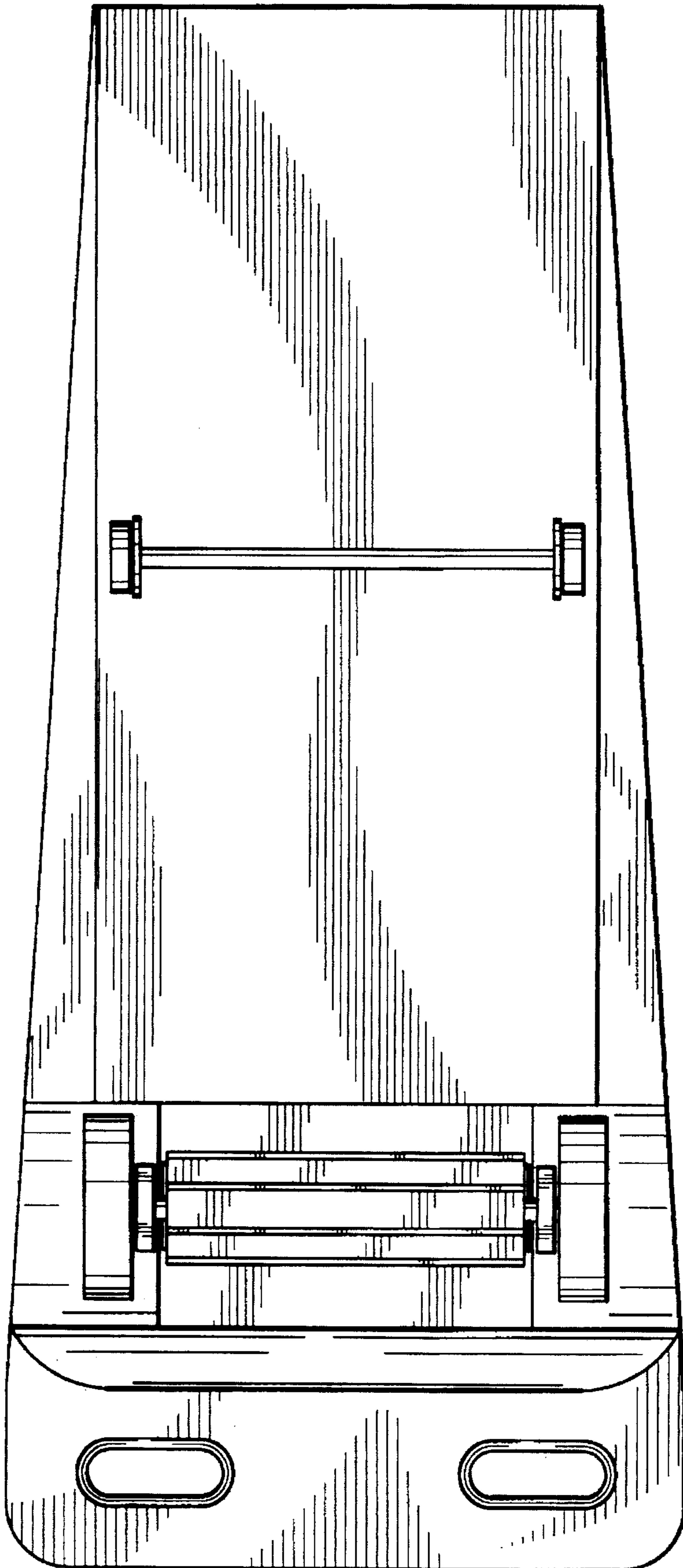


Fig. 6

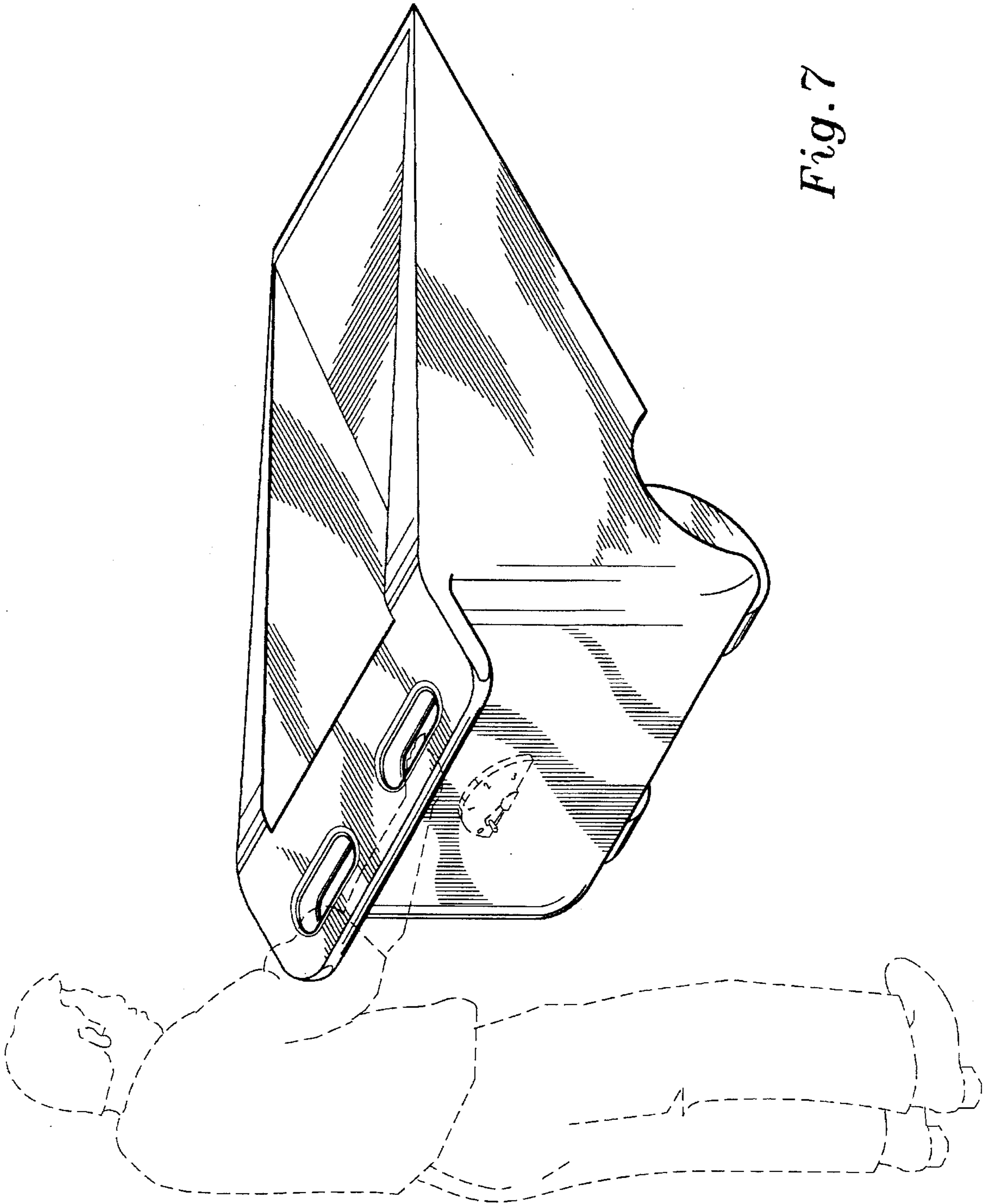


Fig. 7