



US00D383579S

United States Patent [19]
Samson

[11] **Patent Number:** **Des. 383,579**
[45] **Date of Patent:** ****Sep. 9, 1997**

[54] **PAINT TRAY WITH A REMOVEABLE HANDLE**

4,023,702 5/1977 McKnight 15/257.06
4,085,877 4/1978 Hildebrand D32/53.1

[76] **Inventor:** **Guy Samson**, 630, Murray Ave, #809,
Québec, Québec, Canada, G1S 4W9

Primary Examiner—A. Hugo Word
Assistant Examiner—Robin V. Taylor

[**] **Term:** **14 Years**

[57] **CLAIM**

[21] **Appl. No.:** **46,735**

The ornamental design for a paint tray with removable handle, as shown and described.

[22] **Filed:** **Oct. 30, 1995**

DESCRIPTION

[51] **LOC (6) Cl.** **19-06**

FIG. 1 is an exploded perspective view of a paint tray with removable handle showing my new design;

[52] **U.S. Cl.** **D32/53.1**

FIG. 2 is a top view thereof;

[58] **Field of Search** D32/53, 53.1,
D32/54; 220/570; 248/210; 15/257.01,
257.05, 257.06, 248.2

FIG. 3 is a side sectional view thereof, taken along line 3—3 in FIG. 2, the other side being a mirror image;

FIG. 4 is a front partial sectional view thereof, taken along line 4—4 of FIG. 2; and,

FIG. 5 is a rear view thereof, as seen in the direction of line 5—5 of FIG. 2.

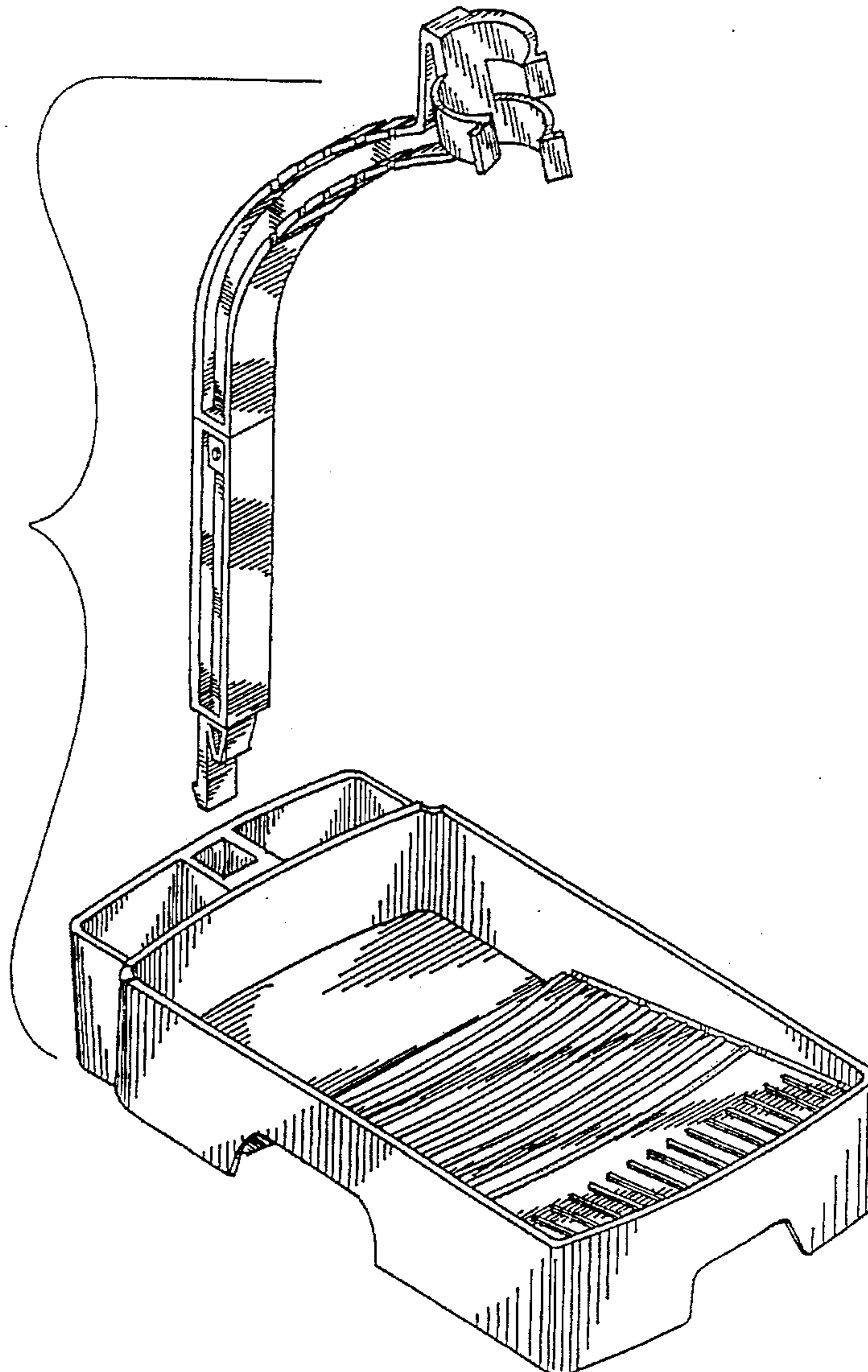
[56] **References Cited**

The broken line showing is for illustrative purposes only and forms no part of the claimed design.

U.S. PATENT DOCUMENTS

- D. 264,897 6/1982 Smith D32/53.1
- D. 297,676 9/1988 Ross et al. D32/53.1
- 3,663,982 5/1972 Hayden 15/248.2

1 Claim, 3 Drawing Sheets



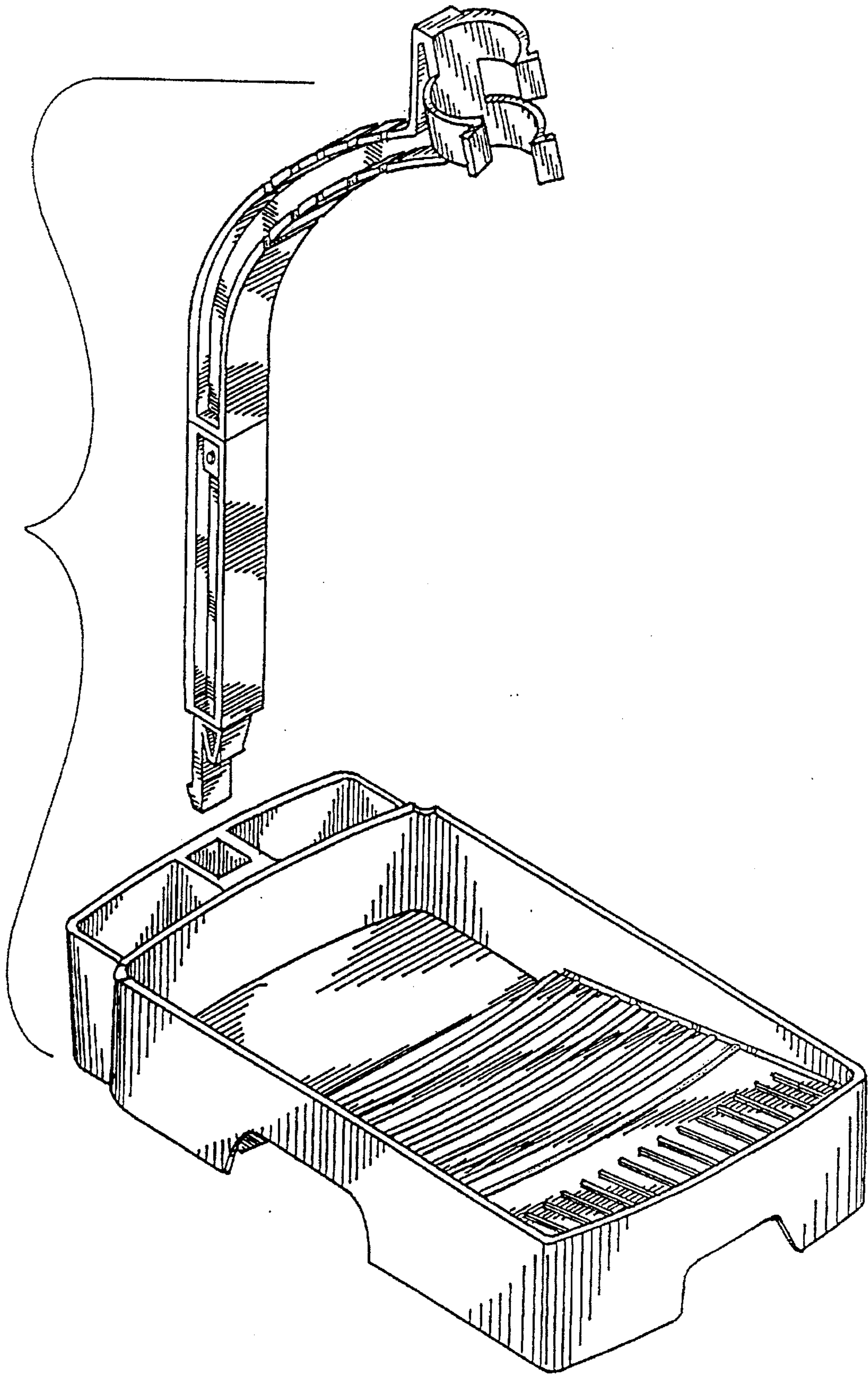


FIG. 1

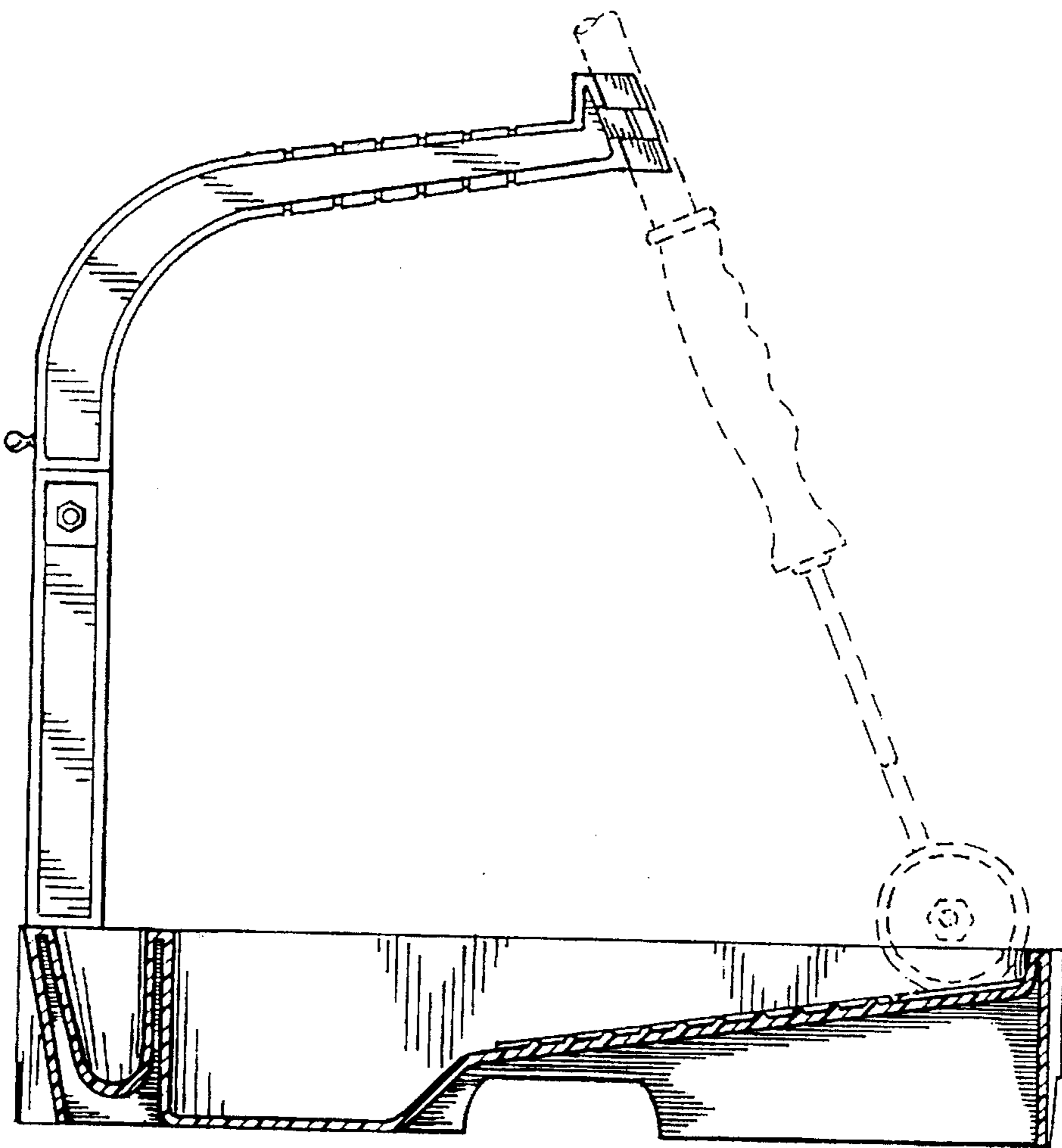
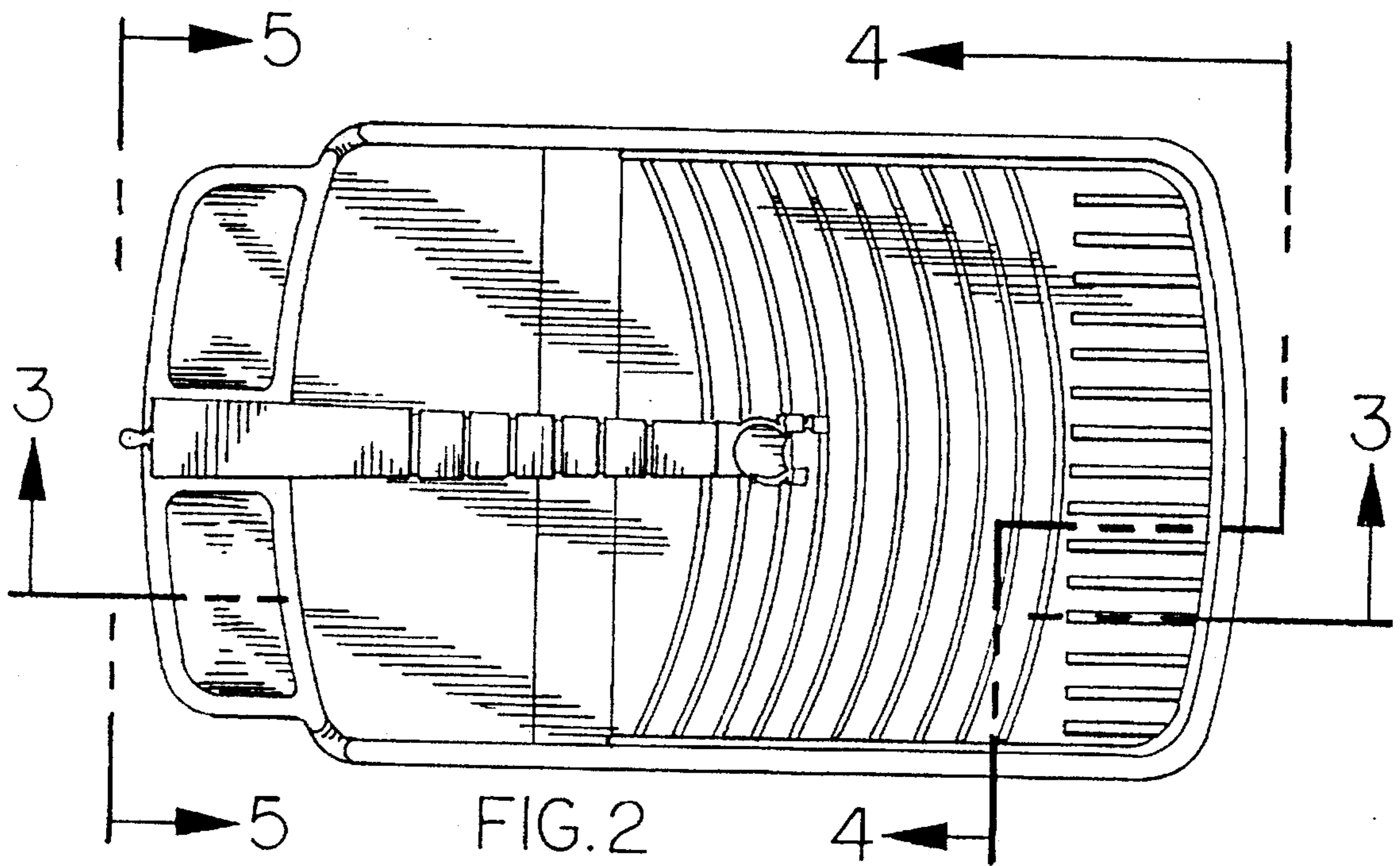


FIG. 3

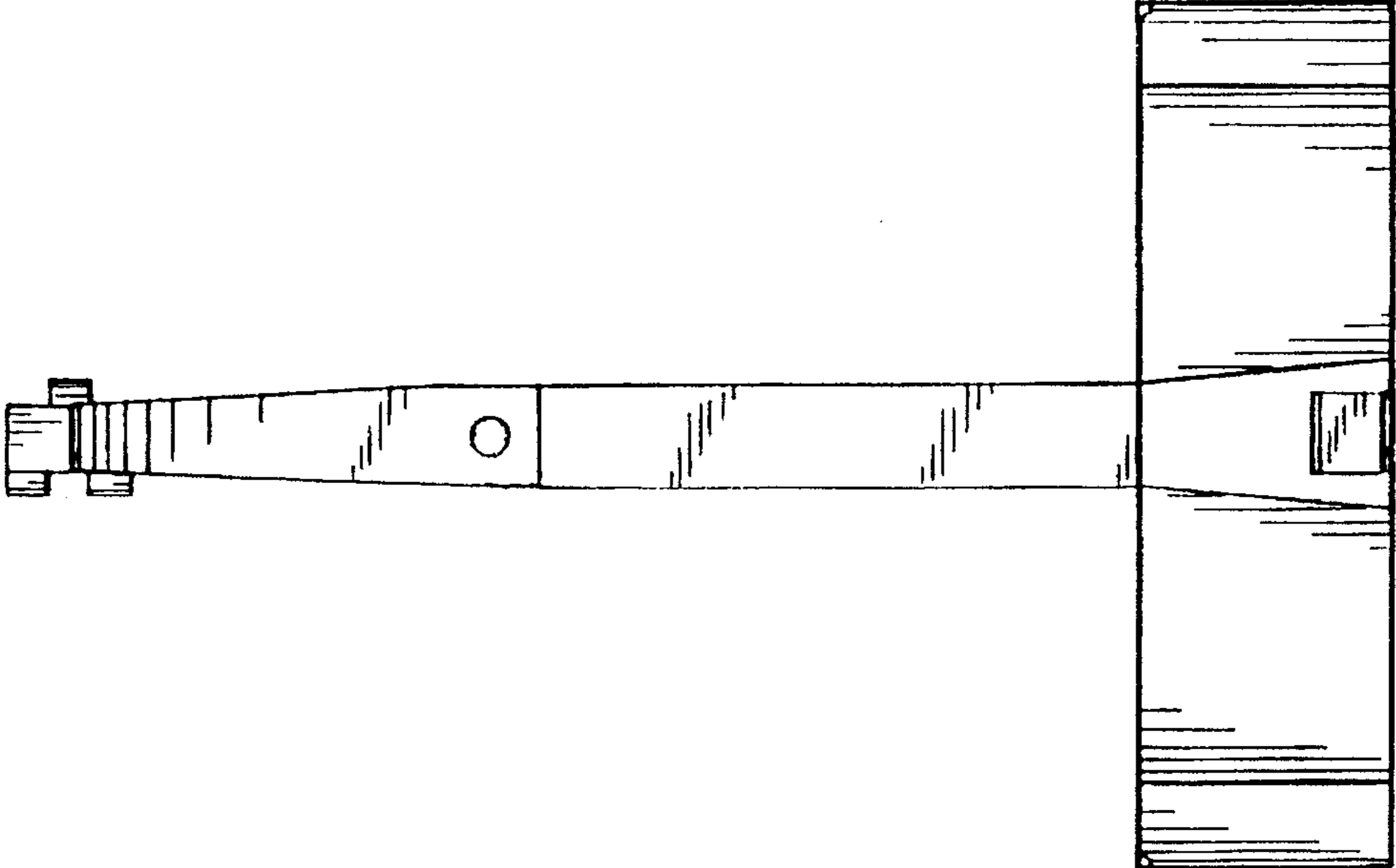


FIG. 5

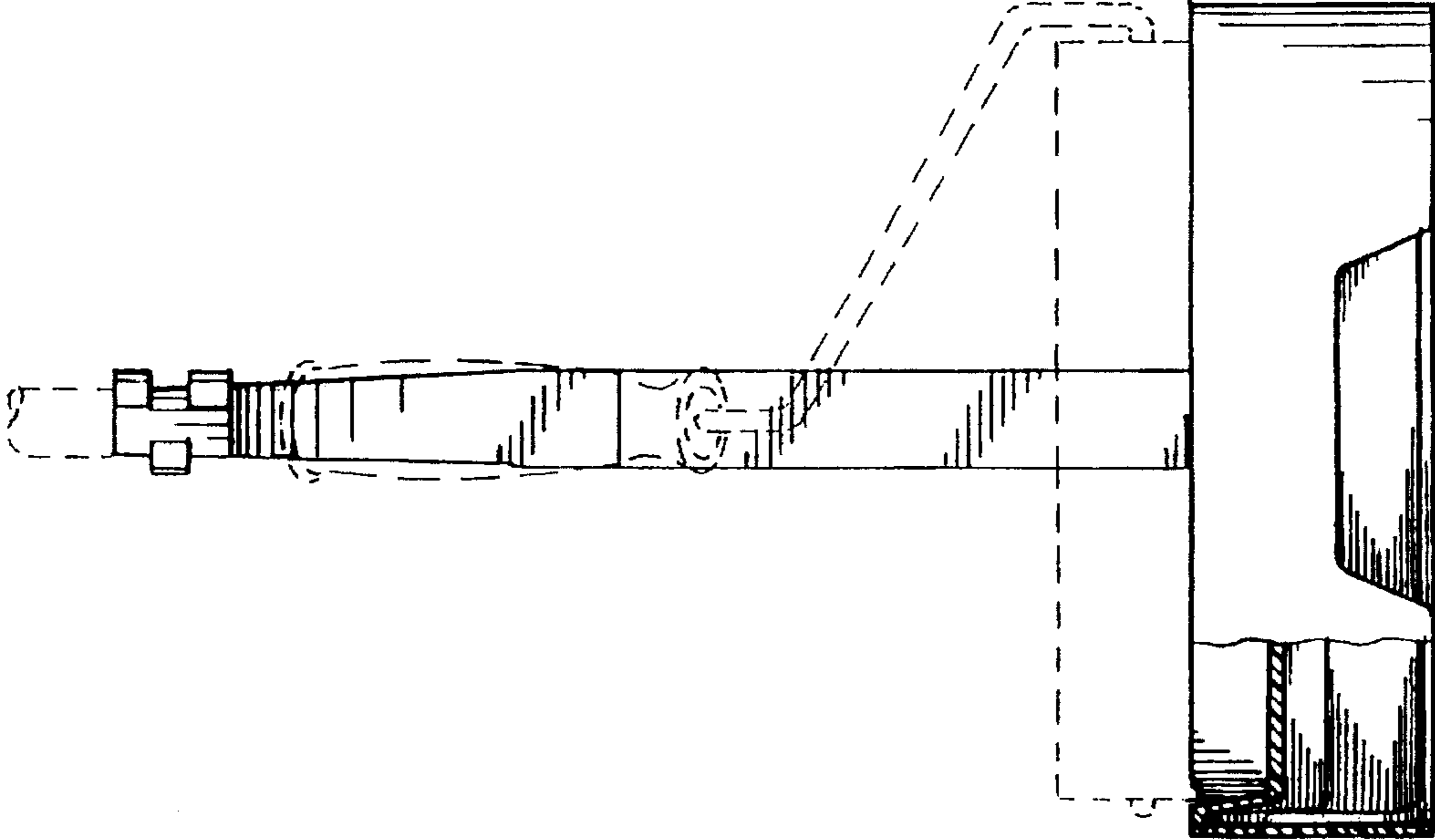


FIG. 4