



US00D383578S

United States Patent [19]
Ho

[11] **Patent Number:** **Des. 383,578**
[45] **Date of Patent:** ****Sep. 9, 1997**

[54] **COMBINED ELECTRIC BROOM AND VACUUM CLEANER**

[76] **Inventor:** **Jen-hsin Ho**, No. 18-3, Sec. 2, Hoping E. Rd., Taipei, Taiwan

[**] **Term:** **14 Years**

[21] **Appl. No.:** **57,663**

[22] **Filed:** **Jul. 29, 1996**

[51] **LOC (6) Cl.** **04-01**

[52] **U.S. Cl.** **D32/51; D32/22**

[58] **Field of Search** **D32/50, 51, 22, D32/21, 38; 15/184, 159.1, 400, 246, 398, 399**

[56] **References Cited**

U.S. PATENT DOCUMENTS

D. 215,753	10/1969	Ballou	D32/50
D. 295,913	5/1988	Jones et al.	D32/51
D. 362,754	10/1995	Martini	D32/51
D. 370,322	5/1996	Ferrari	D32/31

Primary Examiner—Ruth McInroy

Attorney, Agent, or Firm—Dellett and Walters

[57] **CLAIM**

The ornamental design for an combined electric broom and vacuum cleaner, as shown.

DESCRIPTION

FIG. 1 is a perspective view from the front, top and right side of a combined electric broom and vacuum cleaner showing my new design;

FIG. 2 is a front elevational view thereof;

FIG. 3 is a rear elevational view thereof;

FIG. 4 is a left side elevational view thereof;

FIG. 5 is a right side elevational view thereof;

FIG. 6 is a top plan view thereof;

FIG. 7 is a bottom plan view thereof;

FIG. 8 is a front, top and right side perspective view of a second embodiment thereof;

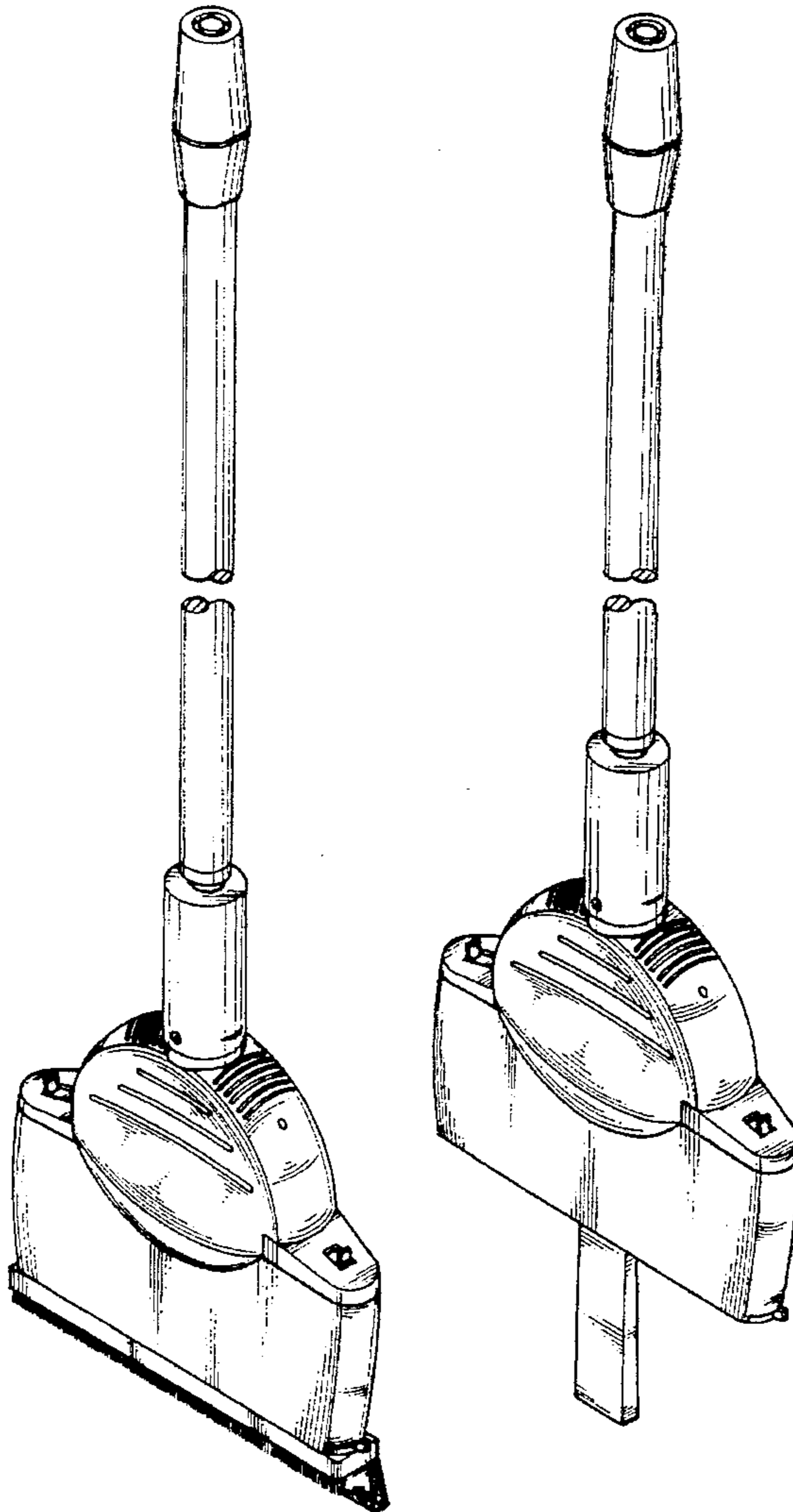
FIG. 9 is a front elevational view thereof, the rear view being a mirror image;

FIG. 10 is a left side elevational view thereof;

FIG. 11 is a top plan view thereof; and,

FIG. 12 is a bottom plan view thereof.

1 Claim, 7 Drawing Sheets



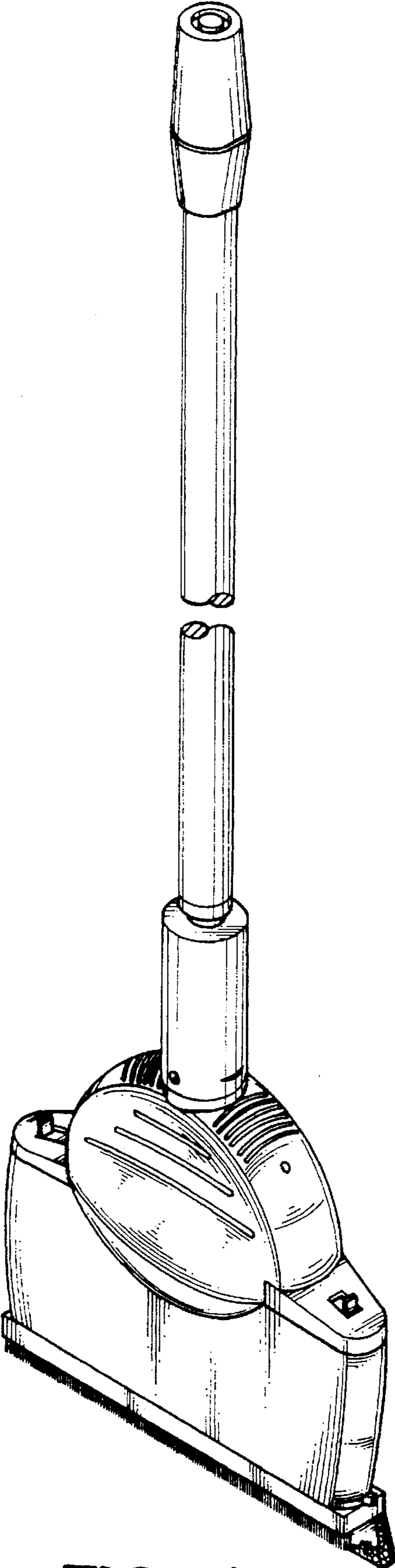


FIG. 1

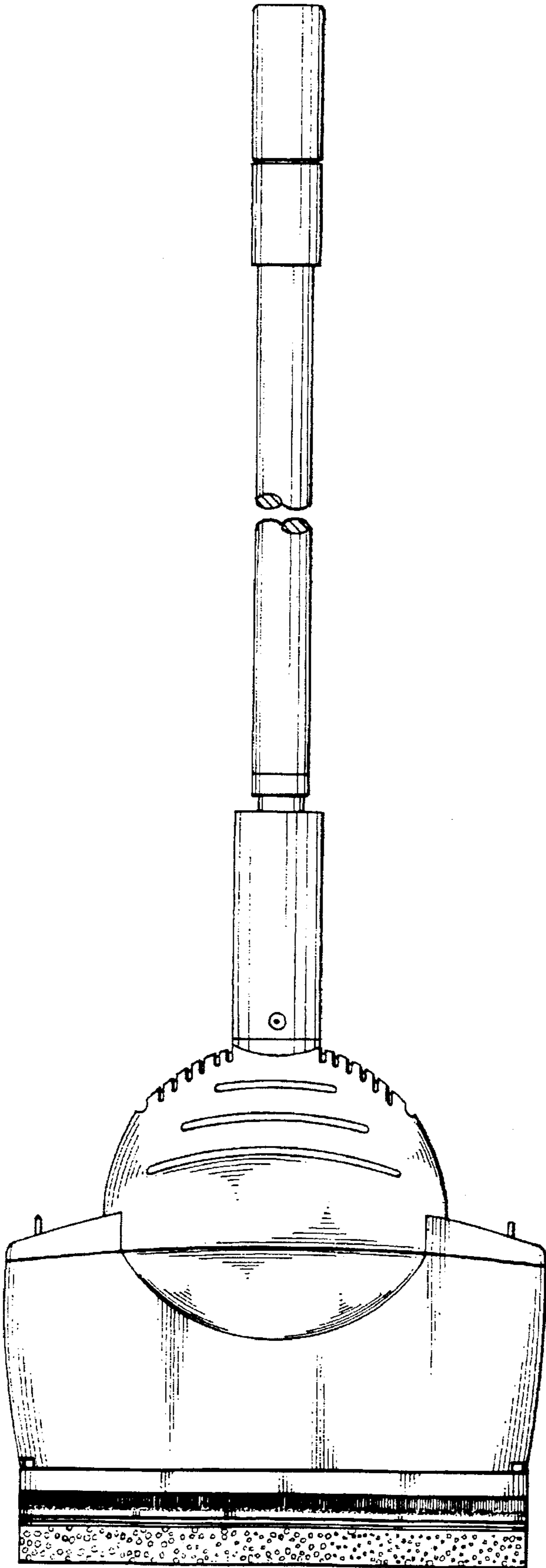


FIG. 2

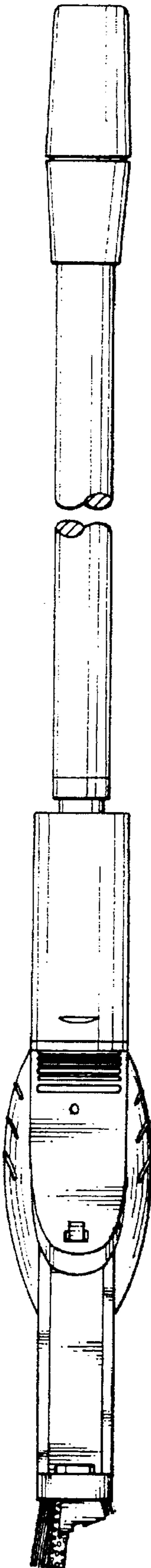


FIG. 4

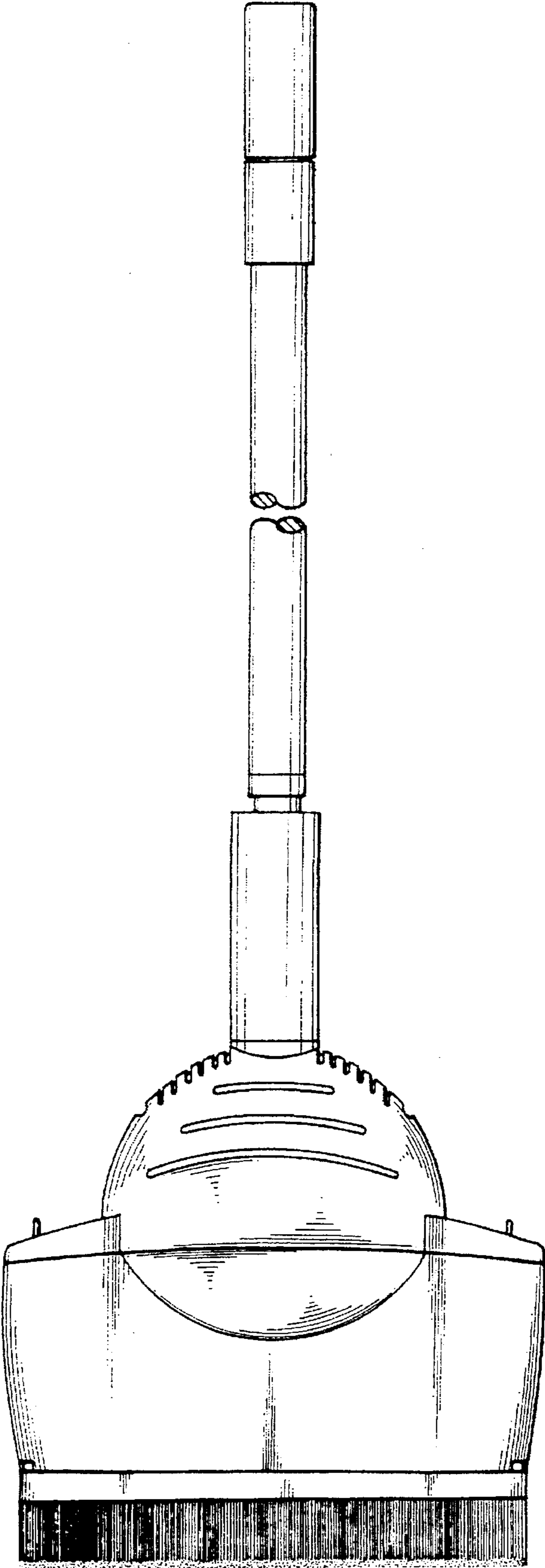


FIG 3

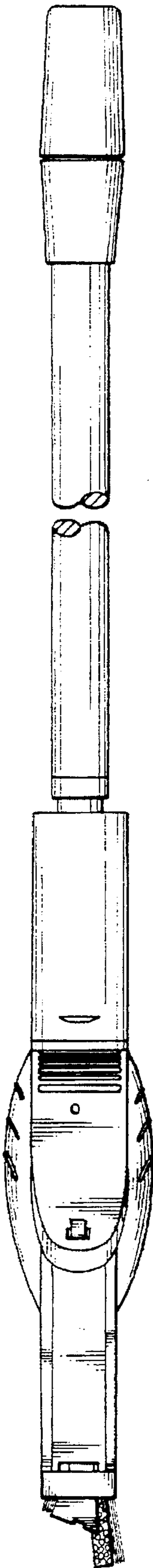


FIG. 5

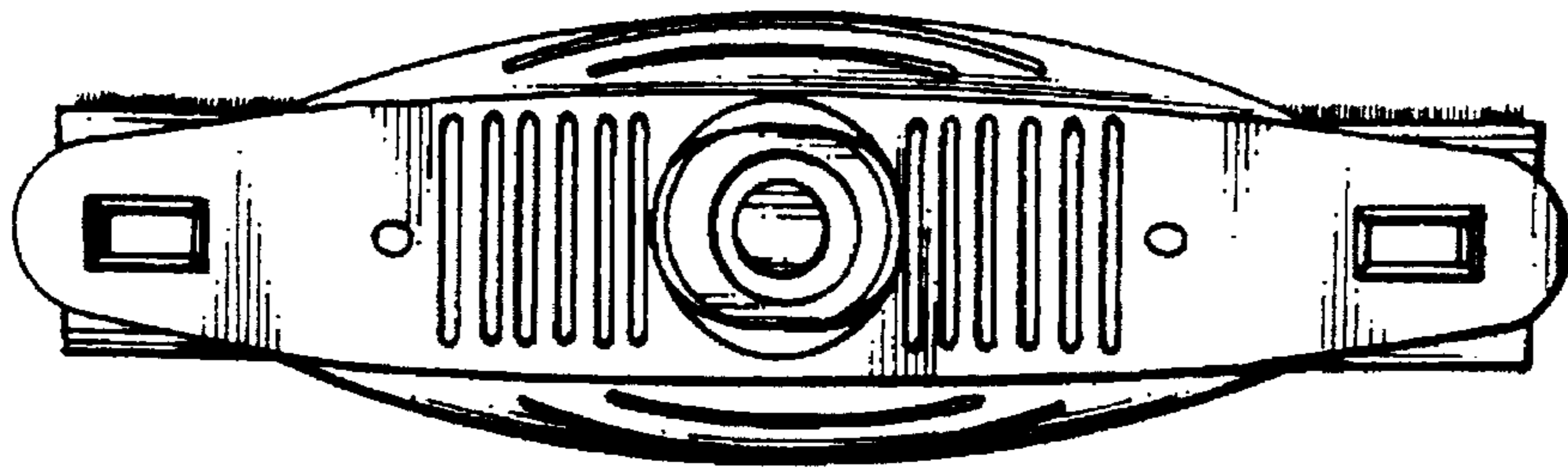


FIG. 6

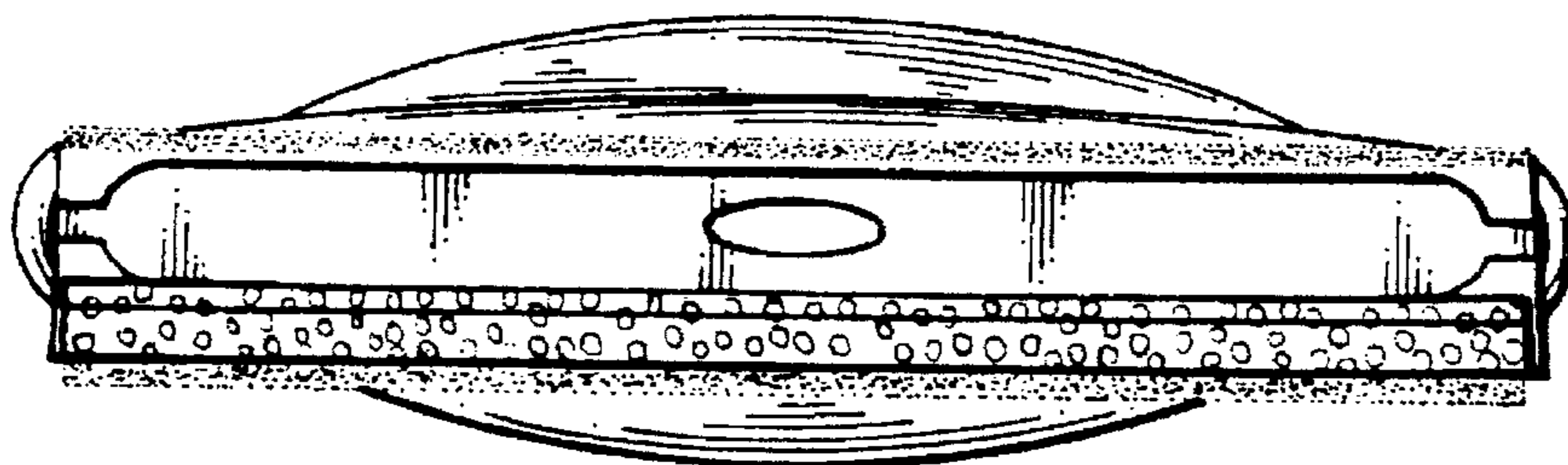


FIG. 7

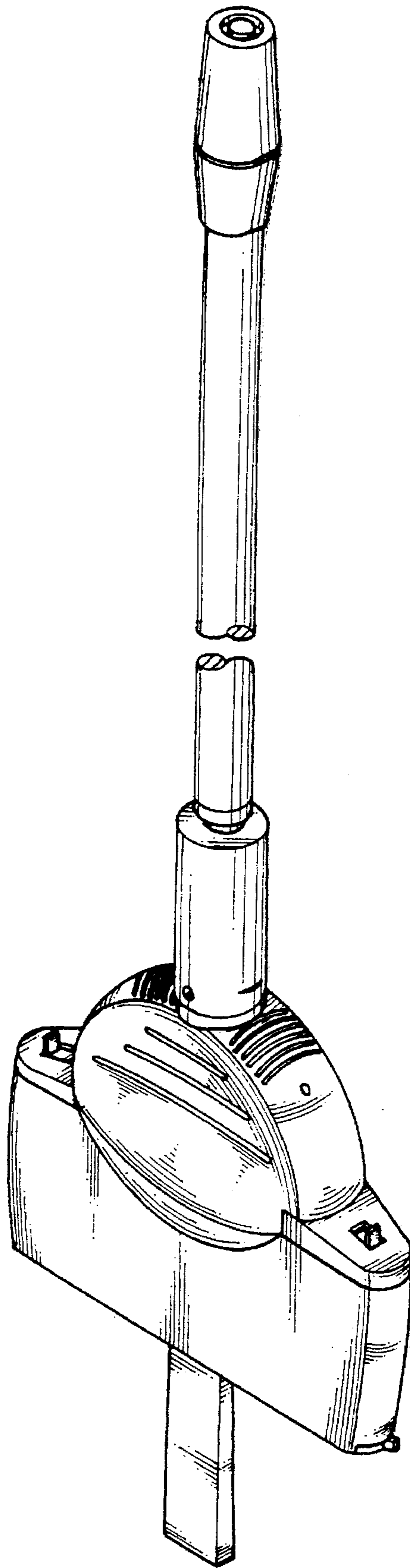


FIG. 8

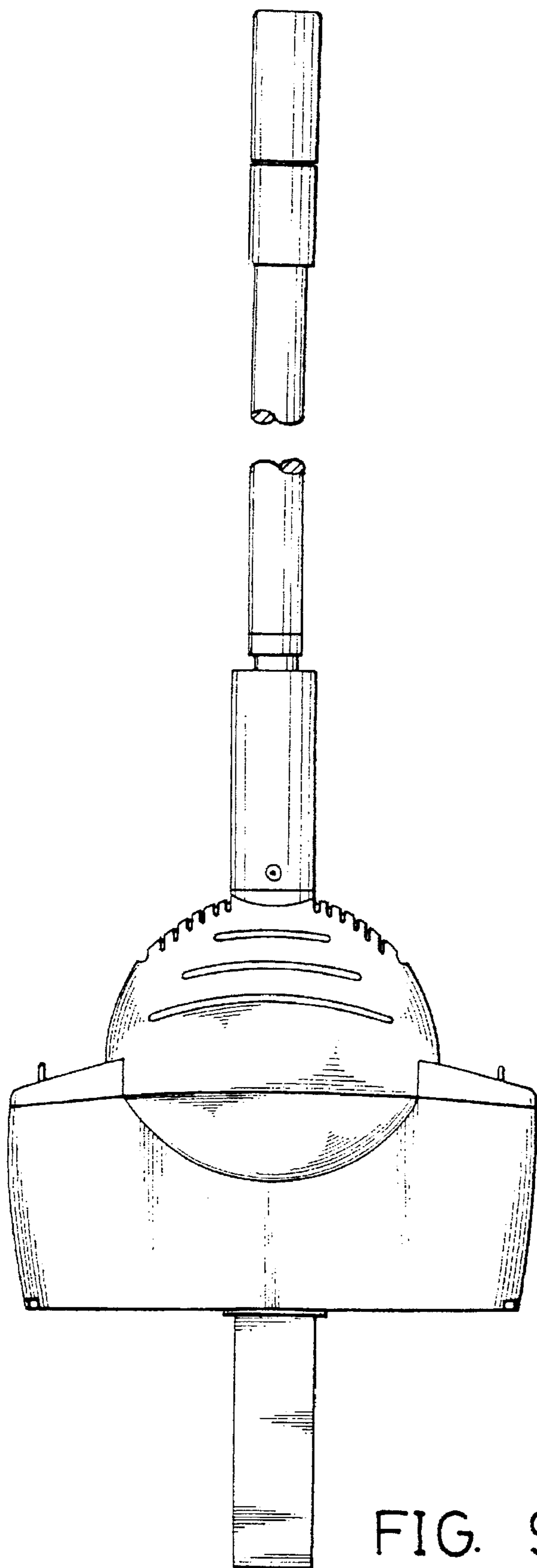


FIG. 9

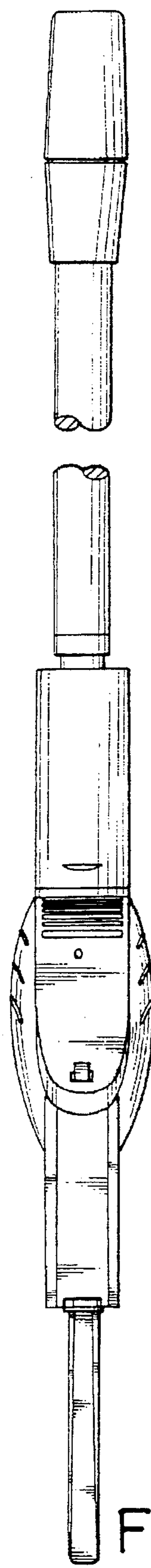


FIG. 10

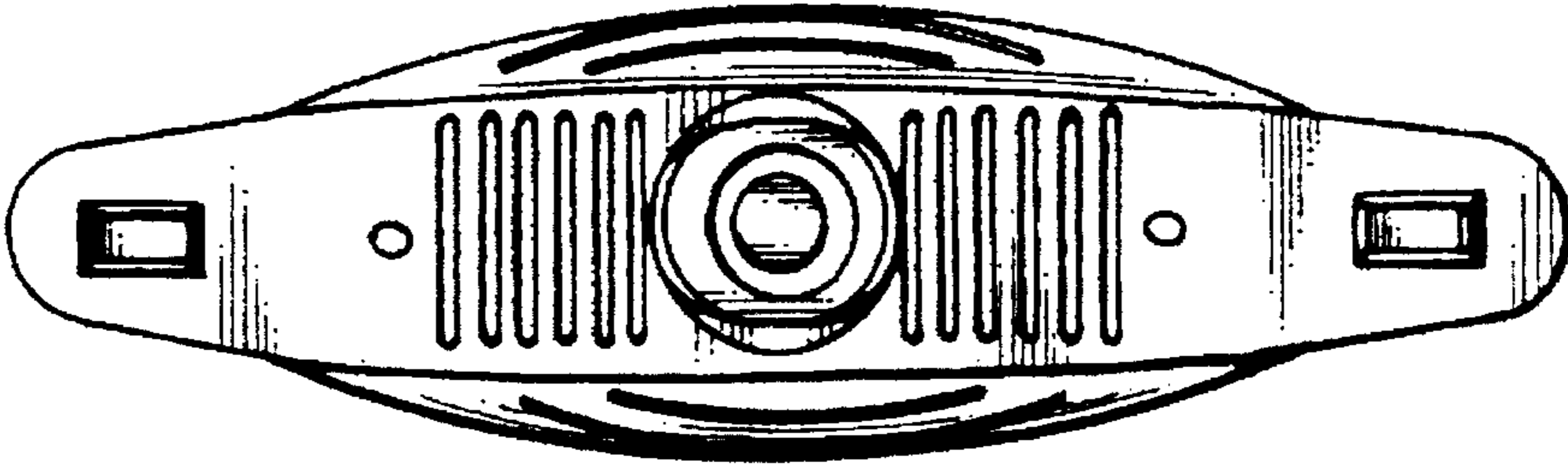


FIG. 11

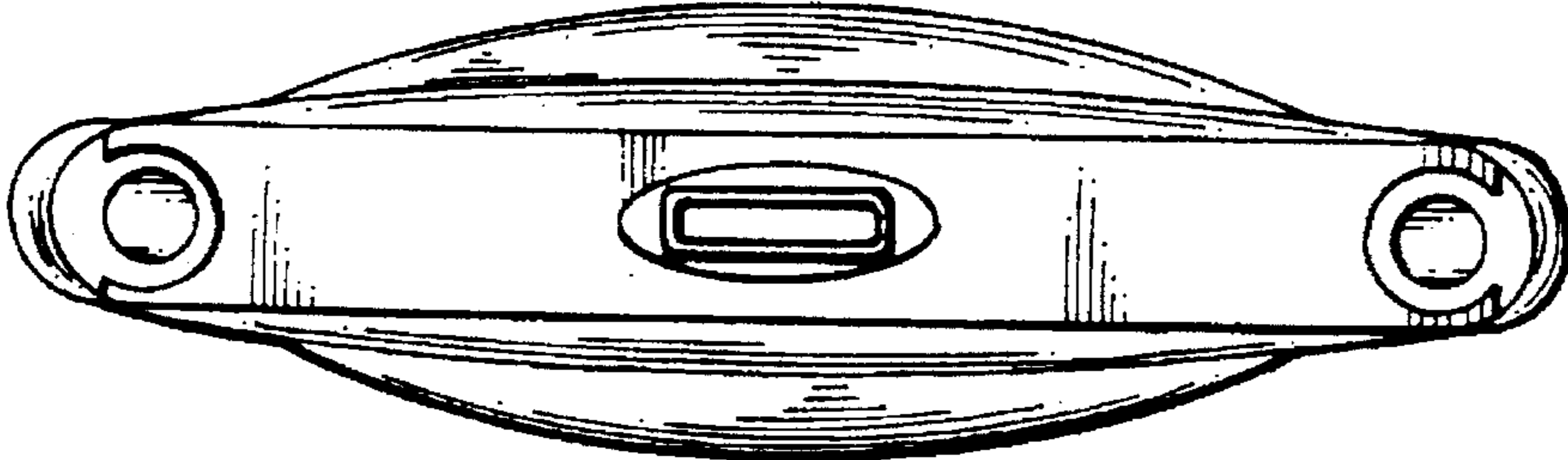


FIG. 12