



US00D383576S

United States Patent [19] Jimison

[11] Patent Number: **Des. 383,576**

[45] Date of Patent: ****Sep. 9, 1997**

[54] **FRUIT CLEANER**
[76] Inventor: **James W. Jimison**, 360 Fulton St., Palo Alto, Calif. 94301
[**] Term: **14 Years**
[21] Appl. No.: **37,144**
[22] Filed: **Apr. 5, 1995**

850,764 4/1907 Laycock 15/210.01 X
2,209,275 7/1940 Lawrence 15/210.1
2,372,556 3/1945 David 15/210.1 X
2,530,746 11/1950 Wetherby 15/104.94
2,575,149 11/1951 Watson .
2,968,825 1/1961 Wetherby .
3,107,842 10/1963 Guilfoyle 383/62
3,189,253 6/1965 Mojonier 383/62 X
3,473,724 10/1969 Coverstone et al. 383/109
4,944,051 7/1990 Porter .

Related U.S. Application Data

[63] Continuation-in-part of Ser. No. 80,660, Jun. 18, 1993, abandoned.

[51] LOC (6) Cl. **02-99**
[52] U.S. Cl. **D32/35; D9/305**
[58] Field of Search 15/3.1, 208, 209.1, 15/210.1, 229.4; D32/35; 383/62, 109, 111, 91, 112; 280/654, 47.27

References Cited

U.S. PATENT DOCUMENTS

319,524 6/1885 Steel 280/47.27

Primary Examiner—Susan J. Lucas

Assistant Examiner—Cynthia E. Ramirez

Attorney, Agent, or Firm—Carol D. Titus; Leary, Titus & Aiello

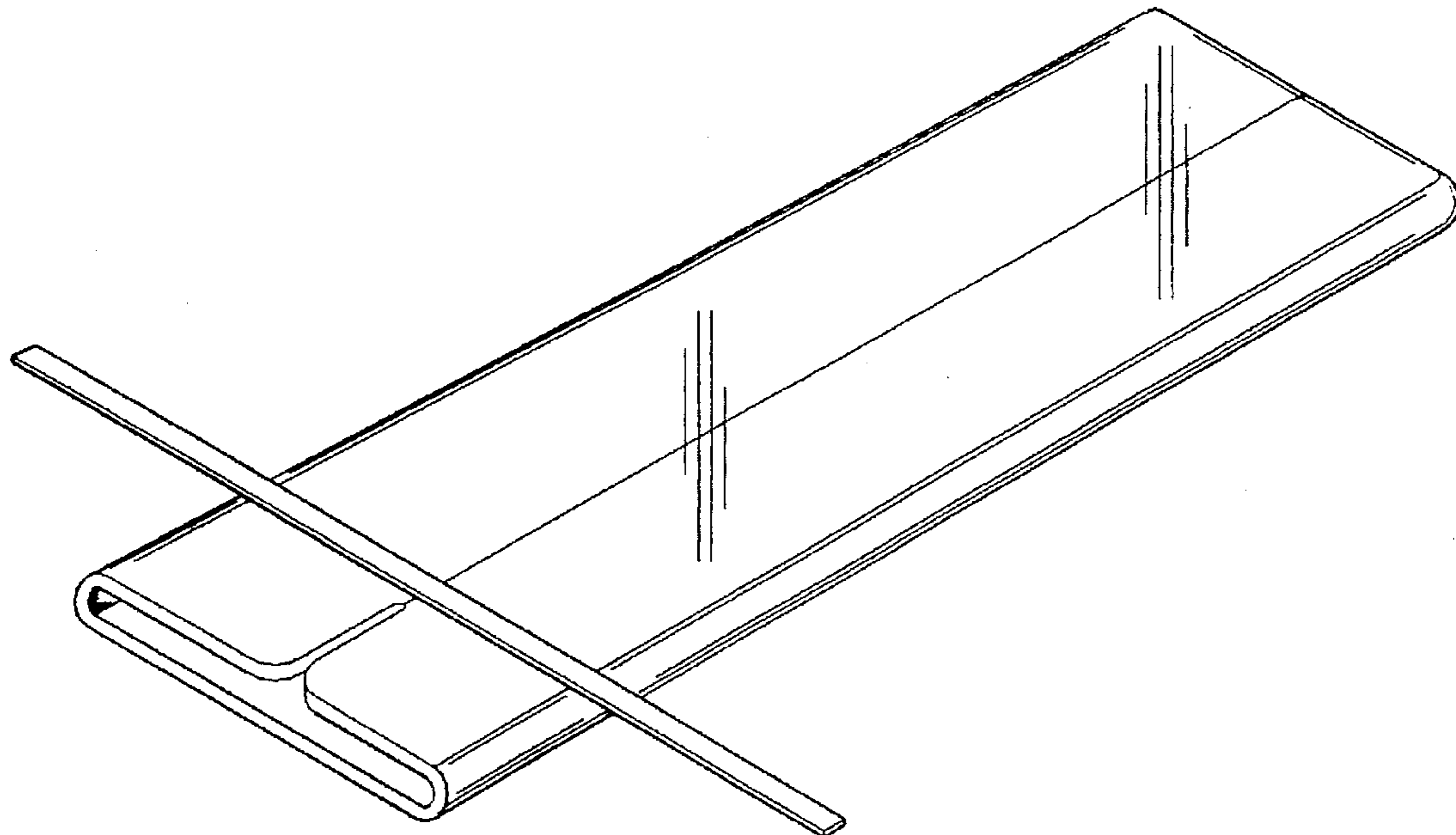
CLAIM

The ornamental design for a fruit cleaner, as shown.

DESCRIPTION

FIG. 1 is a top perspective view of a fruit cleaner showing my new design; and,
FIG. 2 is a bottom perspective view thereof.

1 Claim, 1 Drawing Sheet



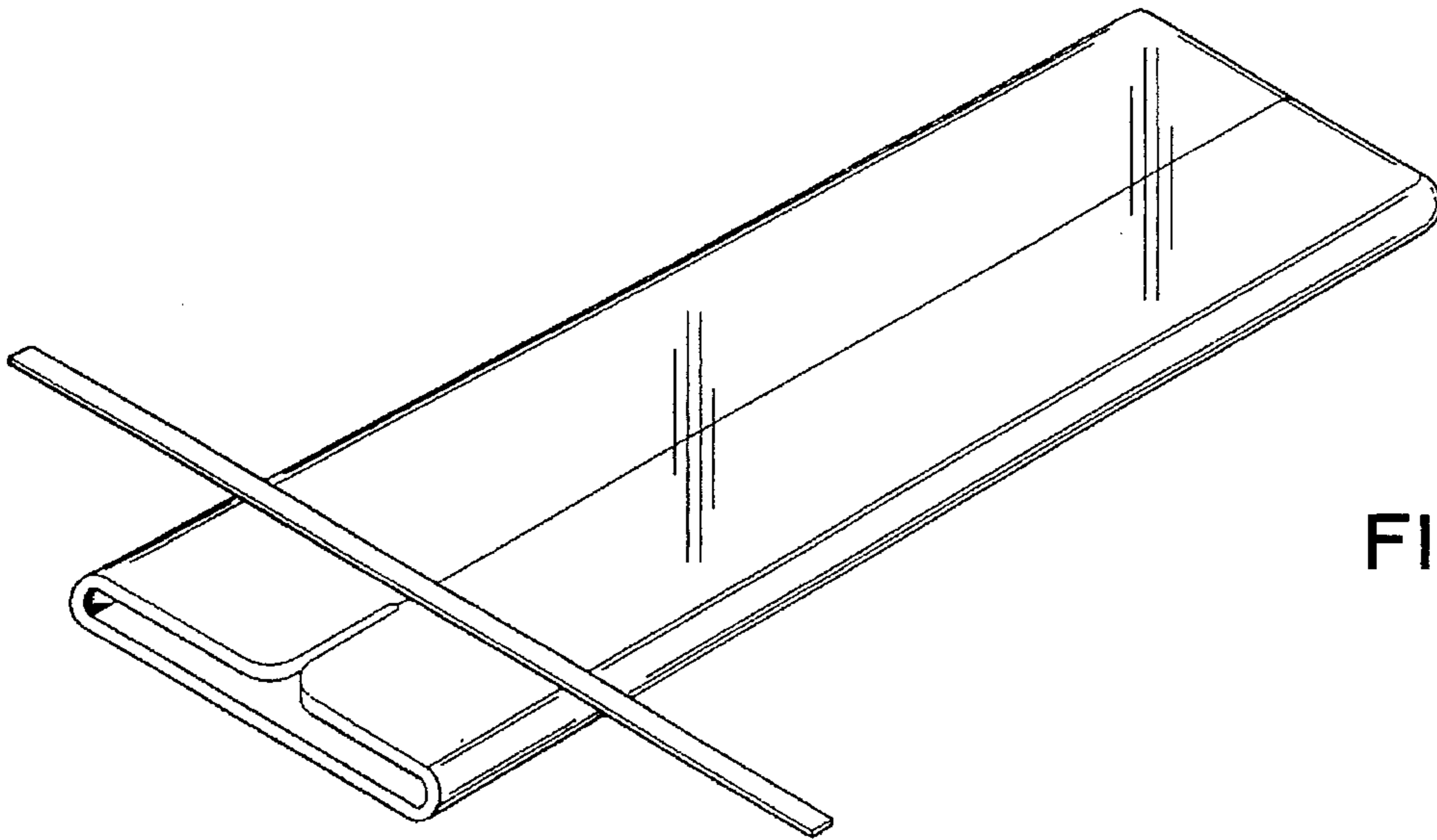


FIG. 1

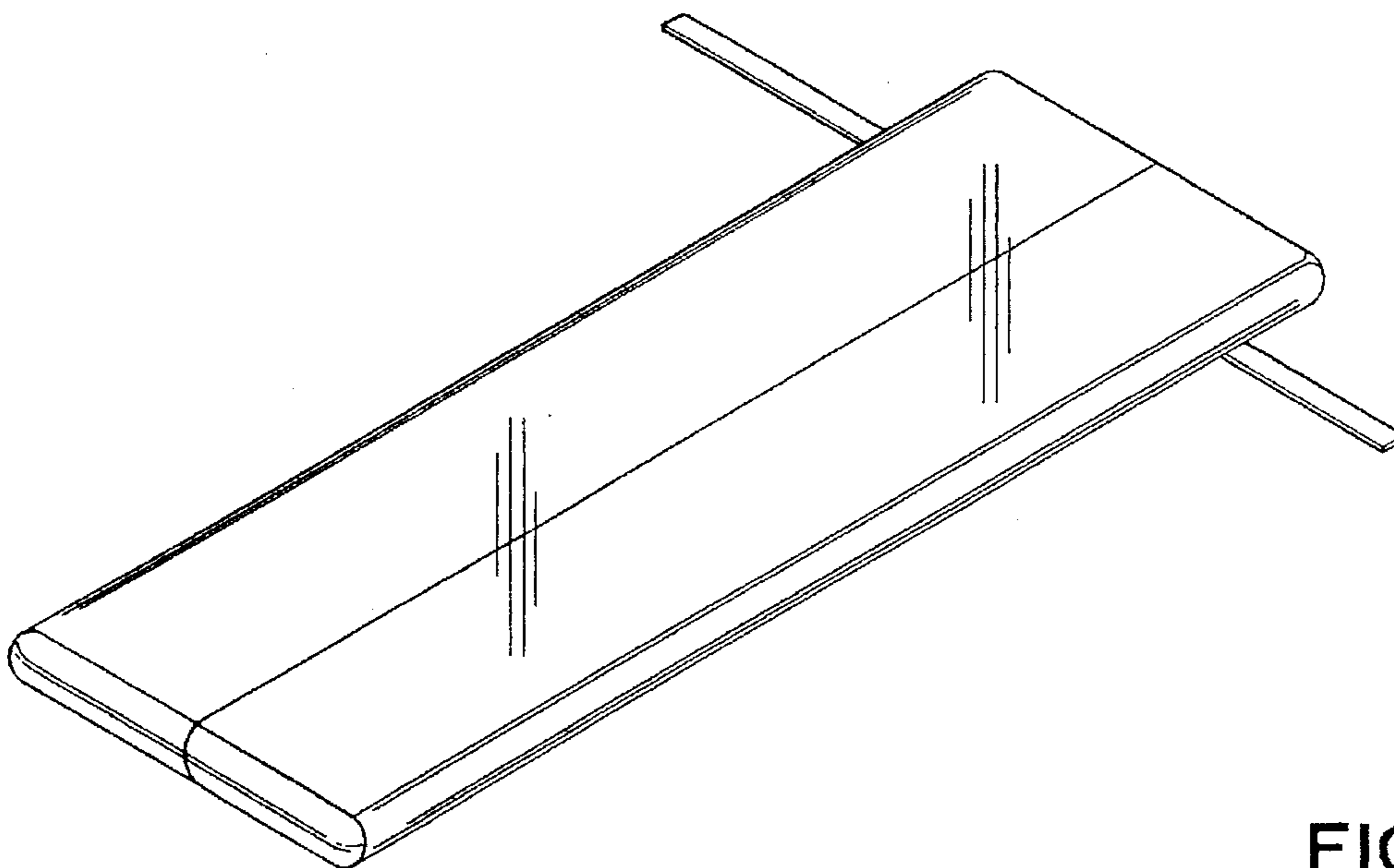


FIG. 2