



US00D383575S

United States Patent [19]
Griffin

[11] **Patent Number: Des. 383,575**

[45] **Date of Patent: **Sep. 9, 1997**

[54] **COMBINED WET AND DRY VACUUM CLEANER**

[75] **Inventor: John Griffin, Phoenix, Ariz.**

[73] **Assignee: Shop Vac Corporation, Williamsport, Pa.**

[**] **Term: 14 Years**

[21] **Appl. No.: 51,275**

[22] **Filed: Mar. 8, 1996**

Related U.S. Application Data

[63] **Continuation of Ser. No. 21,564, Apr. 20, 1994, abandoned.**

[51] **LOC (6) Cl. 15-05**

[52] **U.S. Cl. D32/23**

[58] **Field of Search D32/21, 23, 24;
15/327.1, 327.2, 327.4, 320-321, 323, 353,
347, 328**

[56] **References Cited**

U.S. PATENT DOCUMENTS

D. 178,199	7/1956	Martinec	D32/23
D. 255,357	6/1980	Brooks et al.	D32/23
D. 266,612	10/1982	Hug	D32/23
D. 280,768	9/1985	Ferraris et al.	D32/23
D. 287,171	12/1986	Berfield et al.	D32/25
D. 324,930	3/1992	Pino	D32/23
D. 335,555	5/1993	Reath	D32/21
D. 338,294	8/1993	Kohler	D32/23
D. 358,010	5/1995	Berfield et al.	D32/23

OTHER PUBLICATIONS

SHOP•VAC® brochure, QSP Series—Quiet Super Power Wet/Dry Vacs, Model Nos. 900-80 thru 900-84 offered for sale or sold more than 1 yr. prior to filing date of this application.

SHOP•VAC® brochure, 707 Series—Super Performance Wet/Dry Vacs, Model No. 707-10 offered for sale or sold more than 1 yr. prior to filing date of this application.

SHOP•VAC® brochure, QSP Series—Quiet Super Power Wet/Dry Vacs, Model Nos. 900-87 and 900-86 offered for sale or sold more than 1 yr. prior to filing date of this application.

SHOP•VAC® brochure, QSP Series—Quiet Super Power Wet/Dry Vacs, Model No. 900-29 offered for sale or sold more than 1 yr. prior to filing date of this application.

SHOP•VAC® brochure, 914 Series—Quiet Super Performance Wet/Dry Vacs, Model Nos. 914-27 and 914-15 offered for sale or sold more than 1 yr. prior to filing date of this application.

SHOP•VAC® brochure, FLOORMASTER®—Wet & Dry Cleaning System, Model No. 909-50 offered for sale or sold more than 1 yr. prior to filing date of this application.

Primary Examiner—Ruth McInroy

Attorney, Agent, or Firm—Marshall, O'Toole, Gerstein, Murray & Borun

[57] **CLAIM**

The ornamental design for a combined wet and dry vacuum cleaner, as shown and described.

DESCRIPTION

FIG. 1 is a perspective view taken from the front and above of a combined wet and dry vacuum cleaner showing my new design;

FIG. 2 is a front elevational view thereof;

FIG. 3 is a rear elevational view thereof;

FIG. 4 is a right side elevational view thereof;

FIG. 5 is a left side elevational view thereof;

FIG. 6 is a top plan view thereof; and,

FIG. 7 is a bottom elevational view thereof.

1 Claim, 7 Drawing Sheets

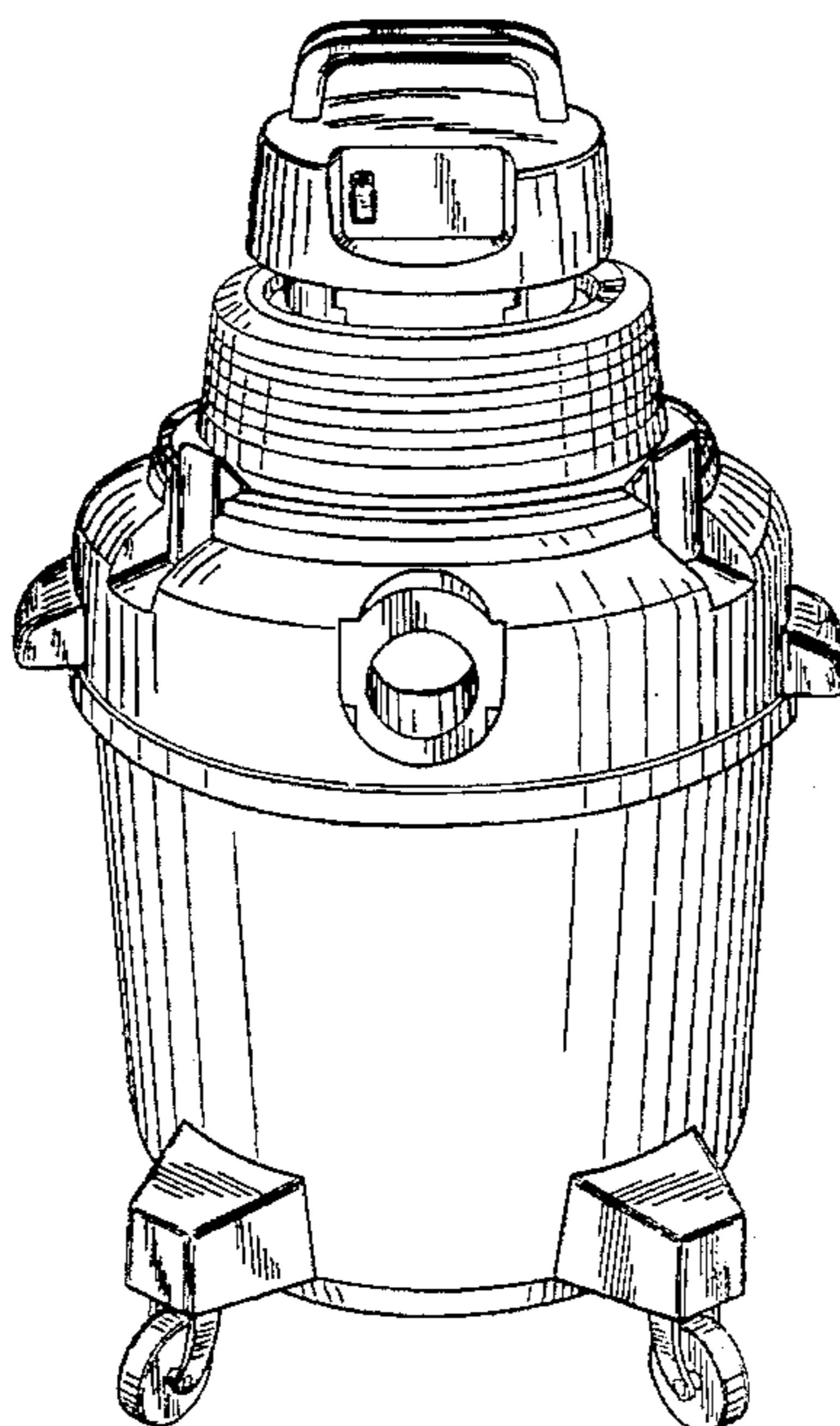


FIG. 1

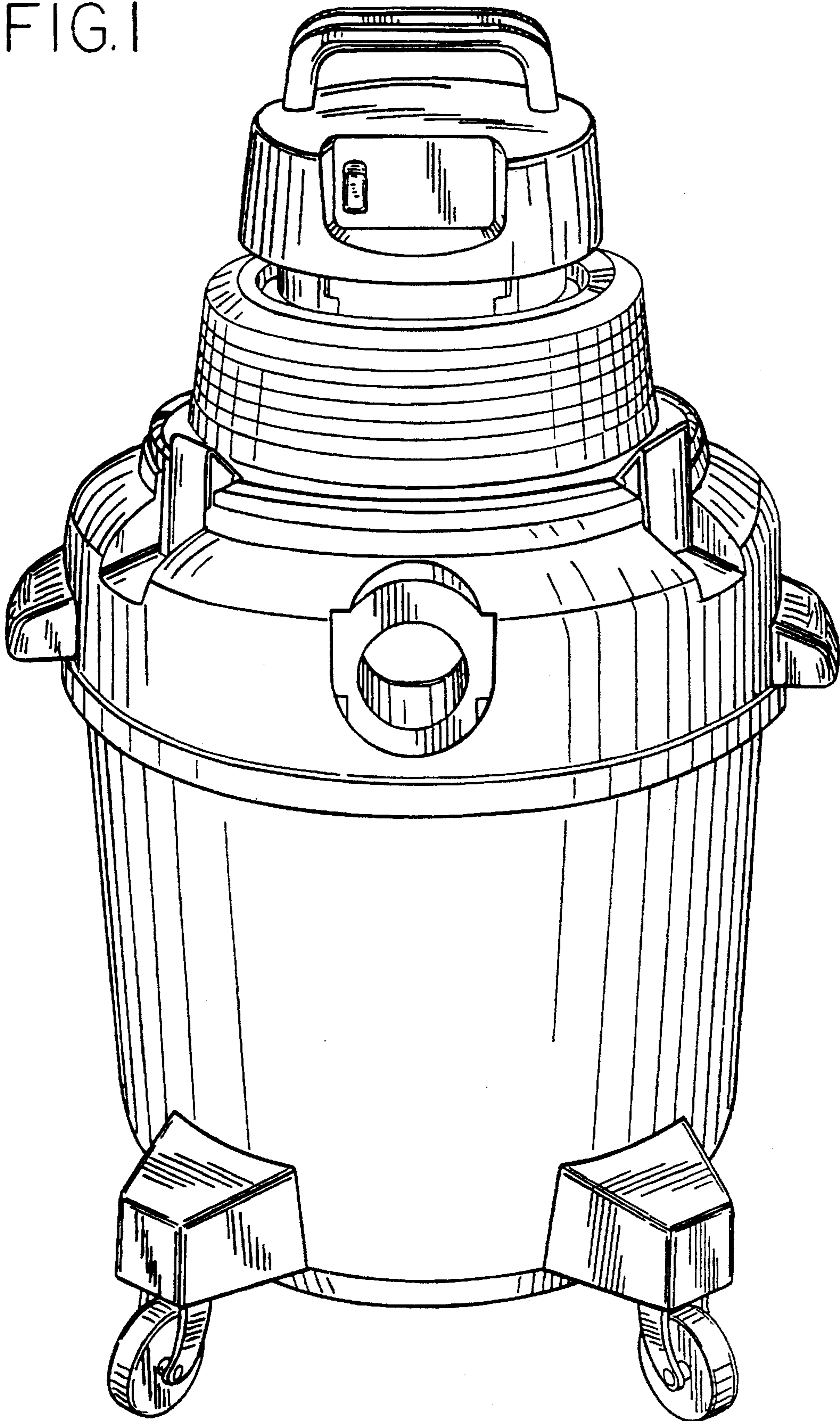


FIG. 2

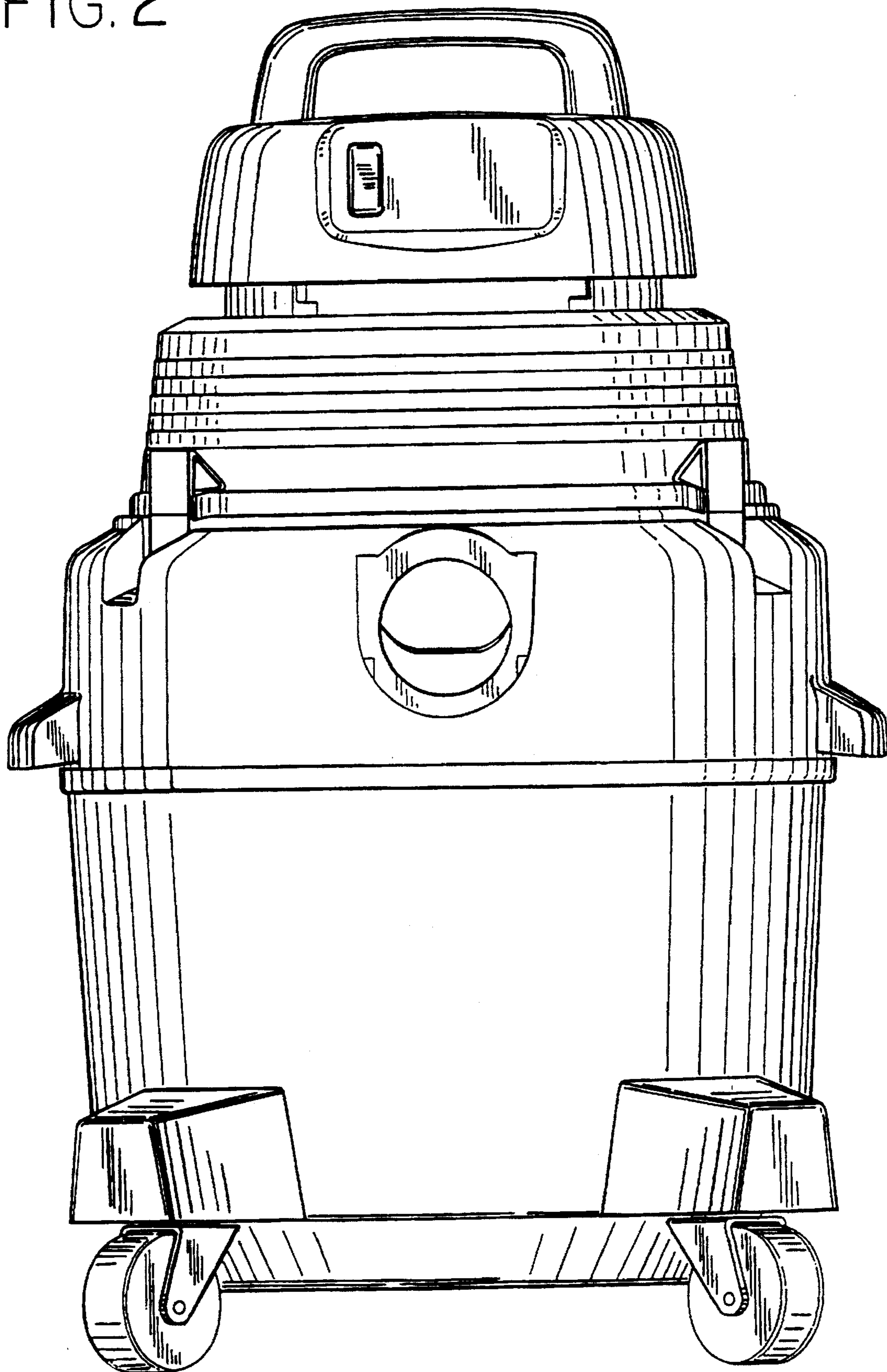


FIG. 3

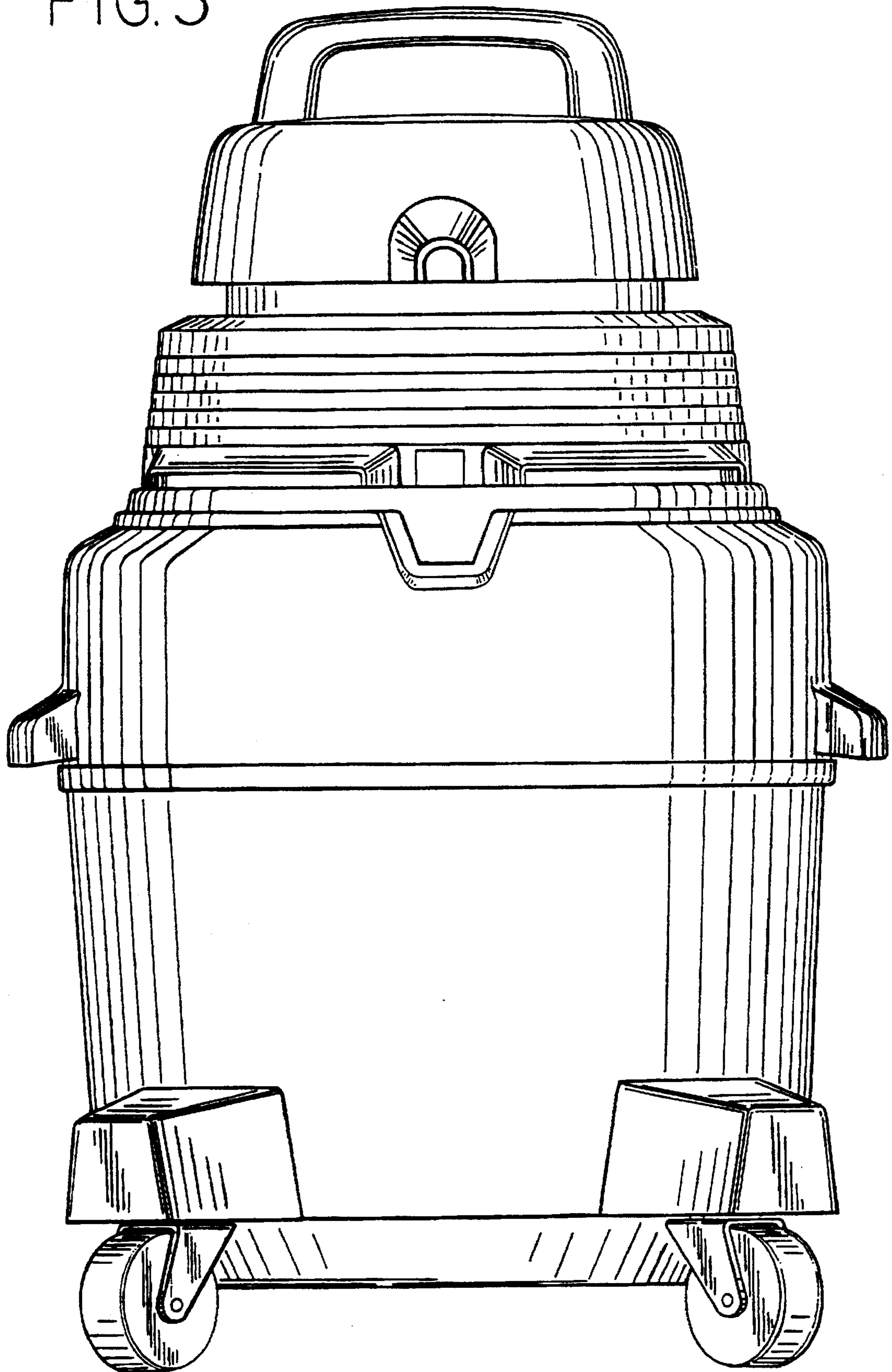


FIG. 4

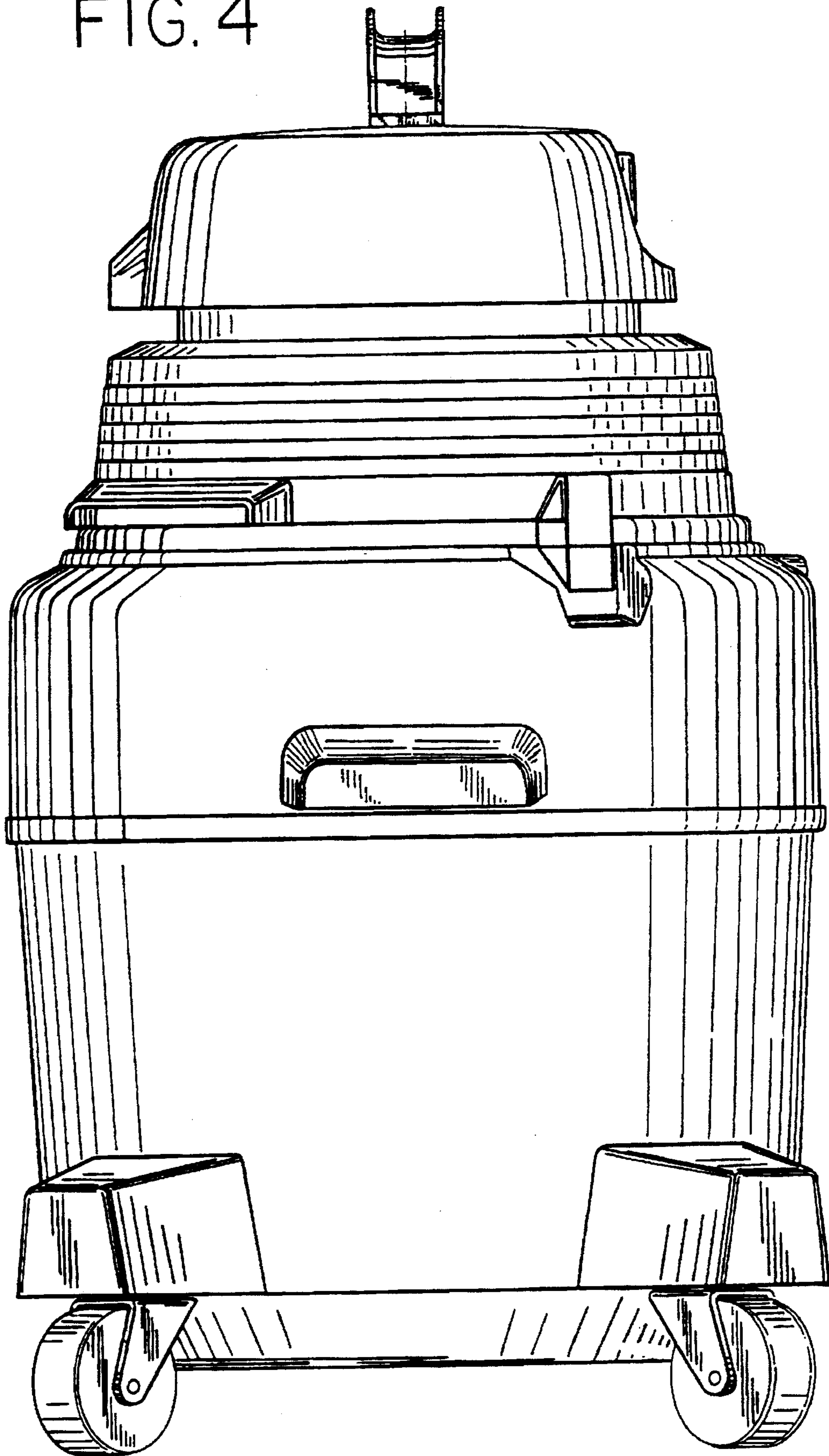


FIG. 5

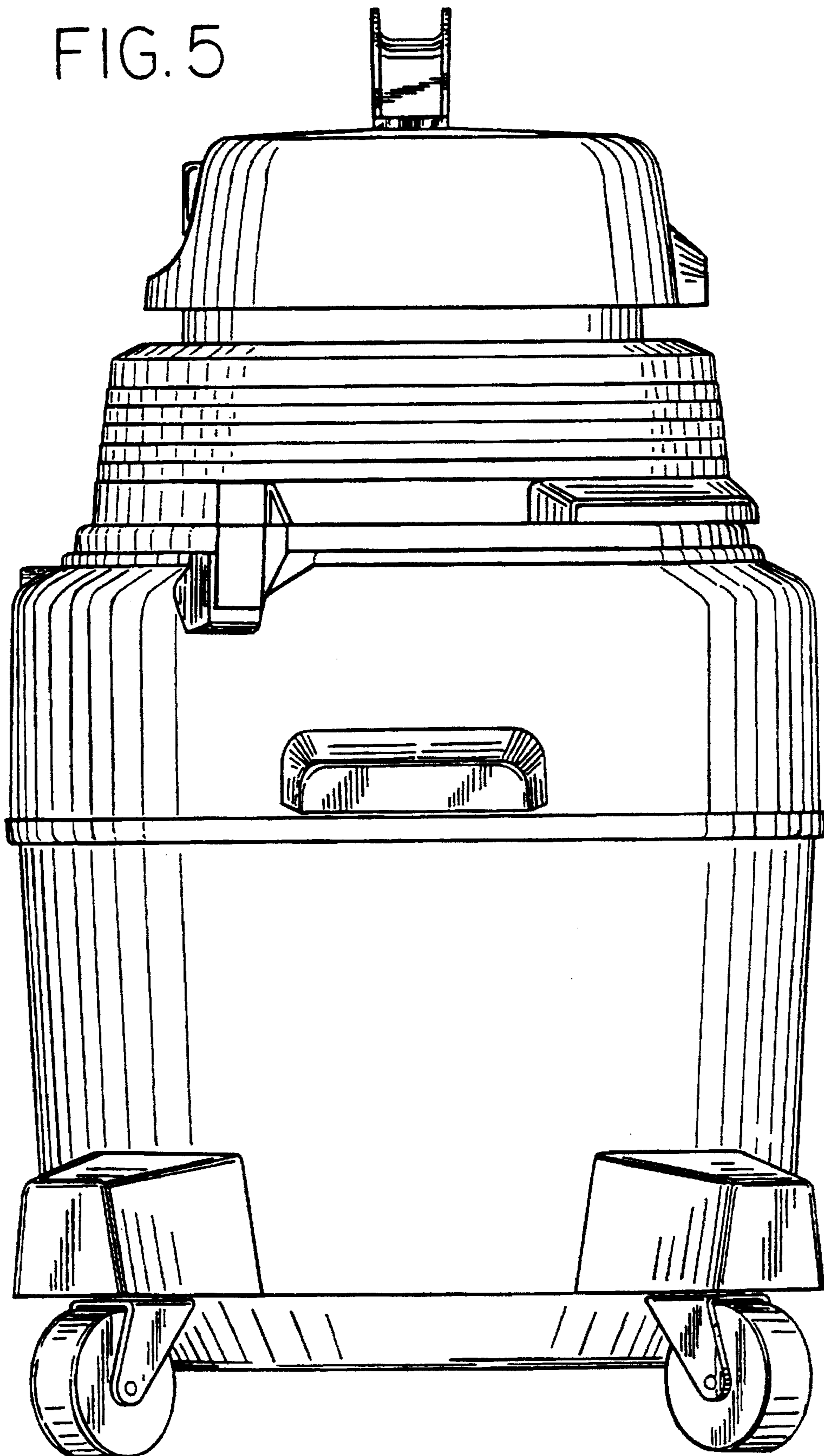


FIG. 6

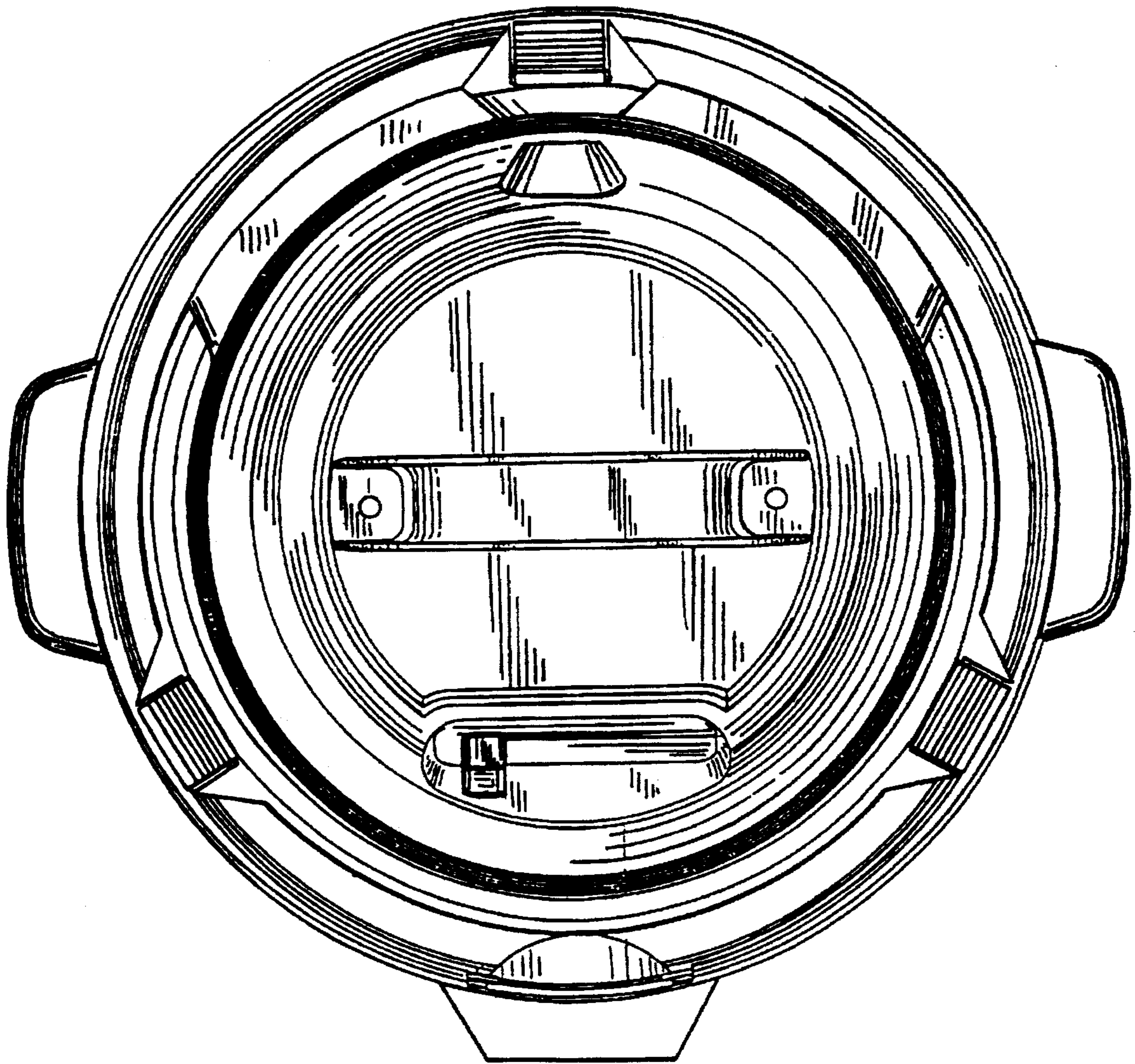


FIG. 7

