



US00D383560S

**United States Patent** [19]  
**Palmer**

[11] **Patent Number:** **Des. 383,560**  
[45] **Date of Patent:** **\*\*Sep. 9, 1997**

[54] **HALOGEN LAMP**

[75] **Inventor:** **Terrance L. Palmer**, Glenview, Ill.

[73] **Assignee:** **Aura Lamp & Lighting, Inc.**,  
Glenview, Ill.

[\*\*] **Term:** **14 Years**

[21] **Appl. No.:** **49,448**

[22] **Filed:** **Jan. 25, 1996**

[51] **LOC (6) Cl.** ..... **26-05**

[52] **U.S. Cl.** ..... **D26/72**

[58] **Field of Search** ..... D26/24, 72, 74-78,  
D26/81, 85; 362/147, 33, 218, 219, 220,  
221, 222, 223, 224

[56] **References Cited**

**U.S. PATENT DOCUMENTS**

D. 286,916 11/1986 Worrell ..... D26/72  
4,344,111 8/1982 Ruud et al. .... 362/147 X  
4,562,517 12/1985 Pankin ..... 362/147

*Primary Examiner*—Susan J. Lucas  
*Attorney, Agent, or Firm*—Bullwinkel Partners, Ltd.

[57] **CLAIM**

The ornamental design for a halogen lamp, as shown and described.

**DESCRIPTION**

FIG. 1 is a perspective view of a halogen lamp showing my new design as installed under a cabinet which is shown in broken lines for illustrative purposes only and forms no part of the claimed design;

FIG. 2 is a front elevational view thereof;

FIG. 3 is a bottom plan view thereof;

FIG. 4 is a right side elevational view thereof;

FIG. 5 is a top perspective view thereof;

FIG. 6 is a rear elevational view thereof; and,

FIG. 7 is a left side elevational view thereof.

**1 Claim, 2 Drawing Sheets**

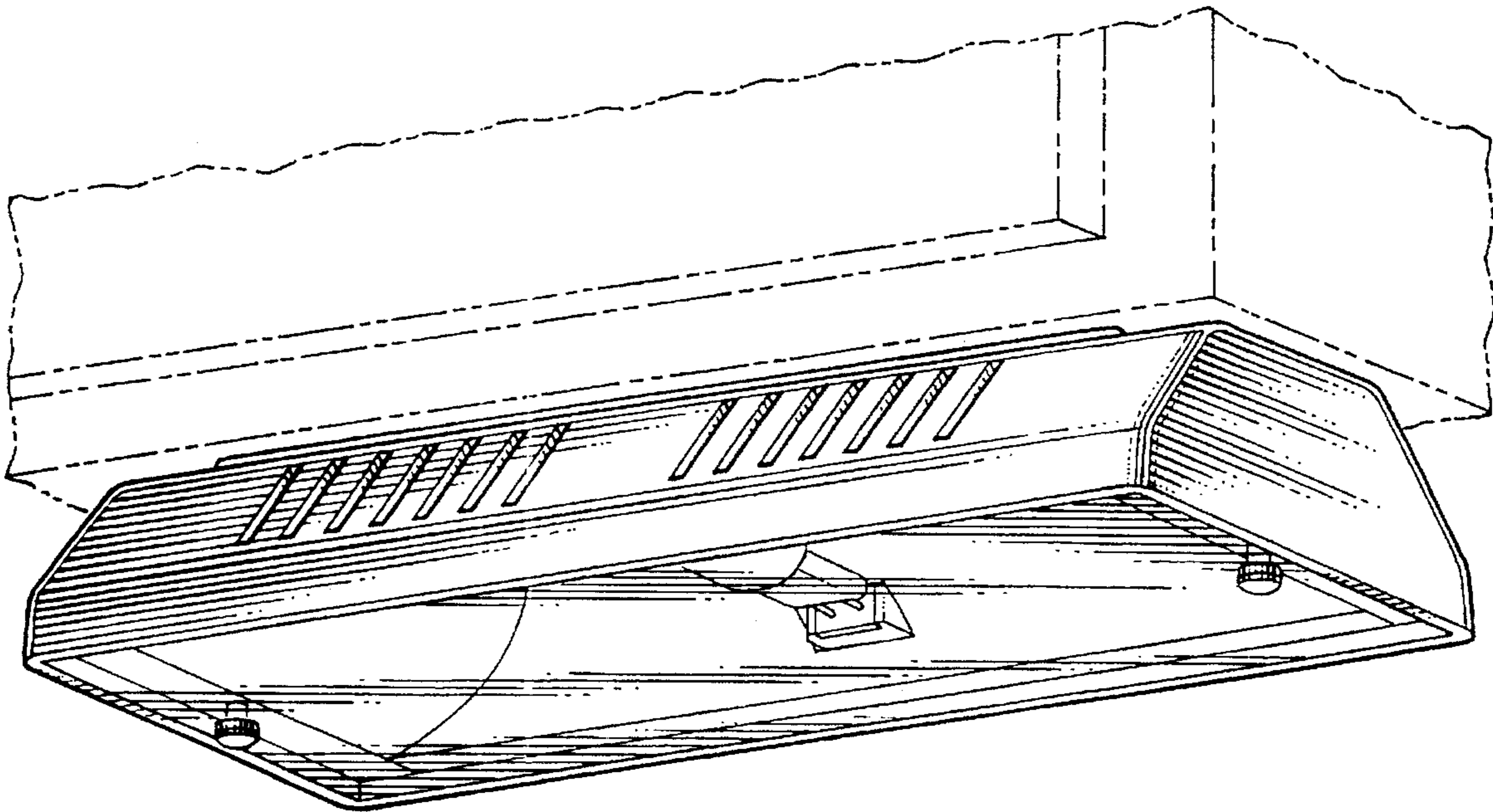


FIG. 1

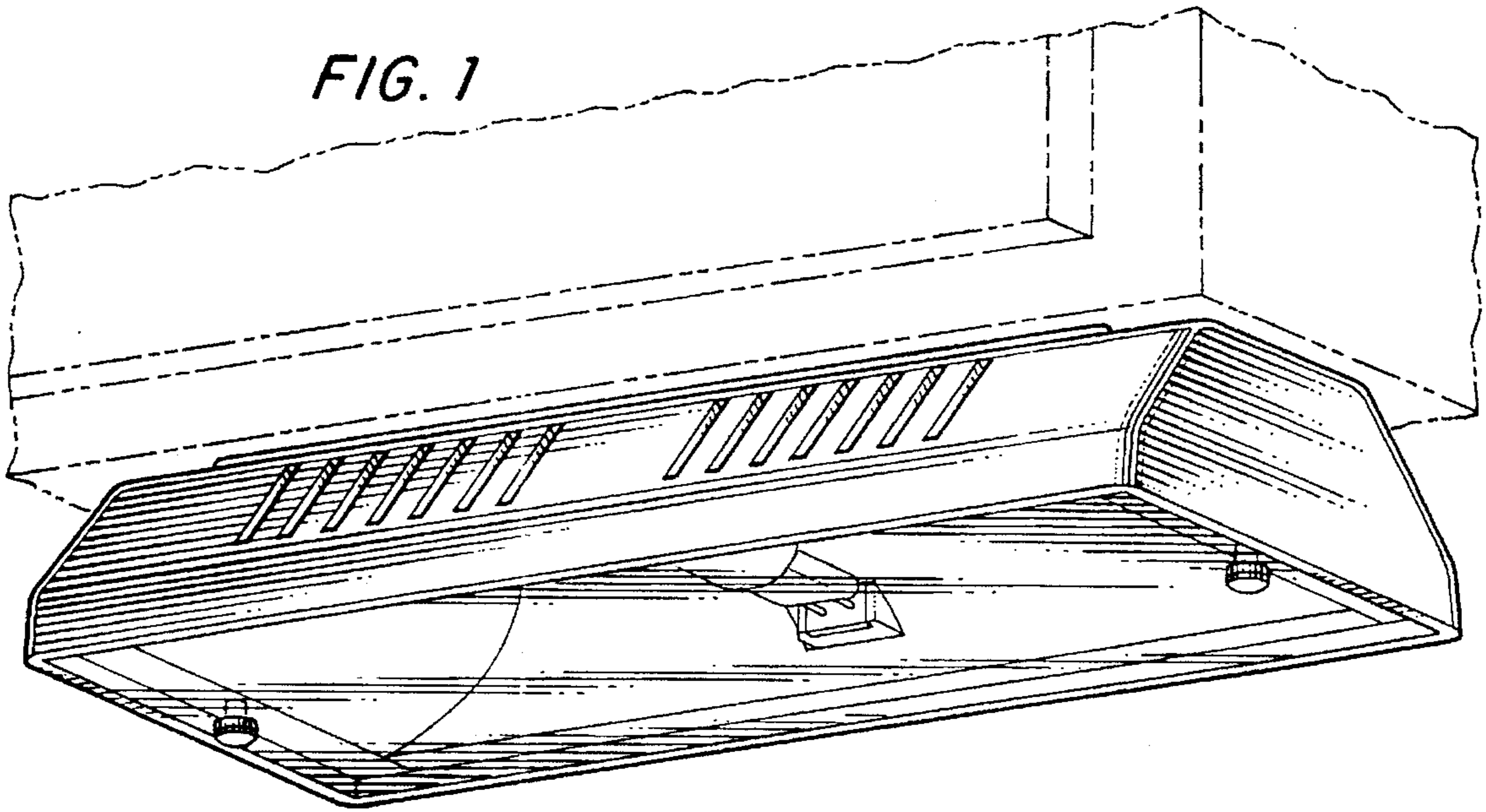


FIG. 2

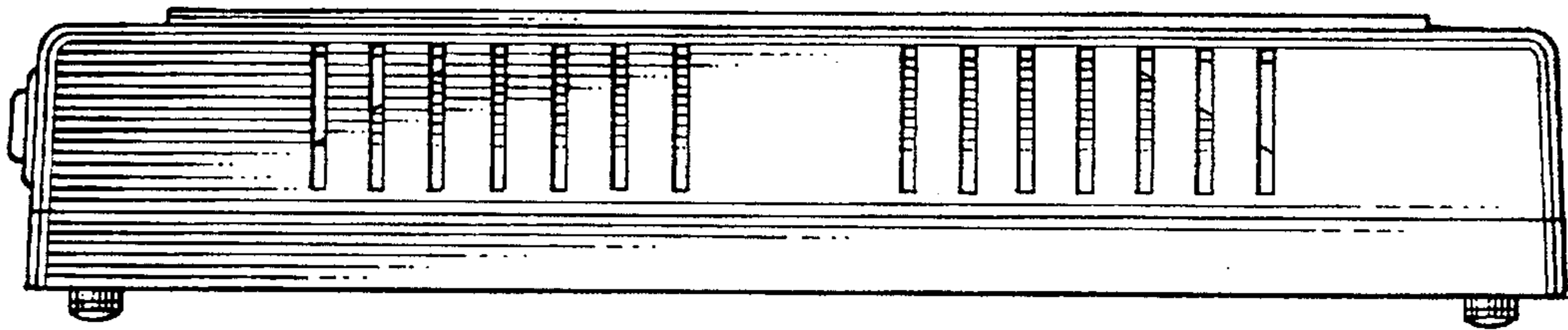


FIG. 3

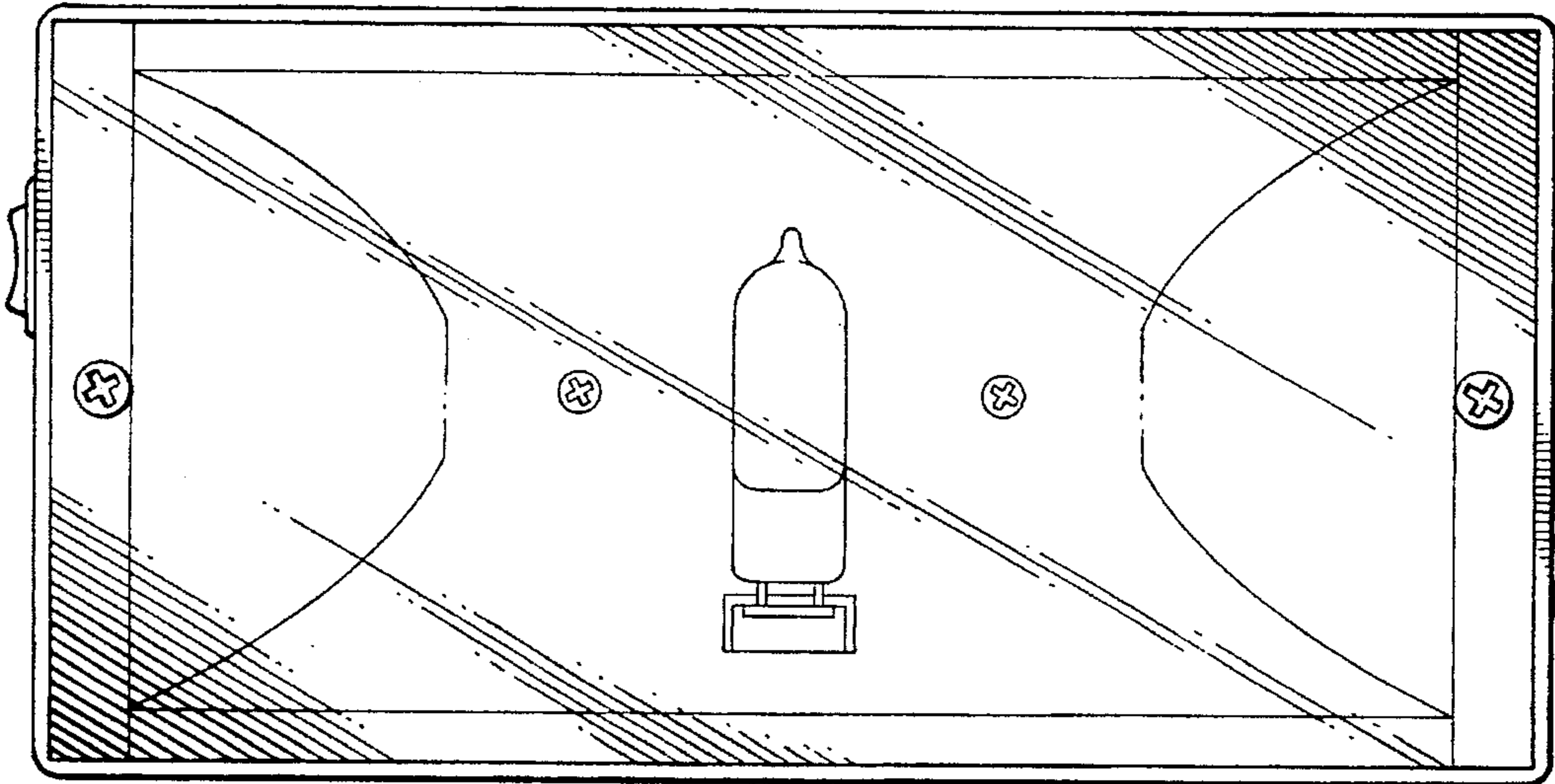


FIG. 4

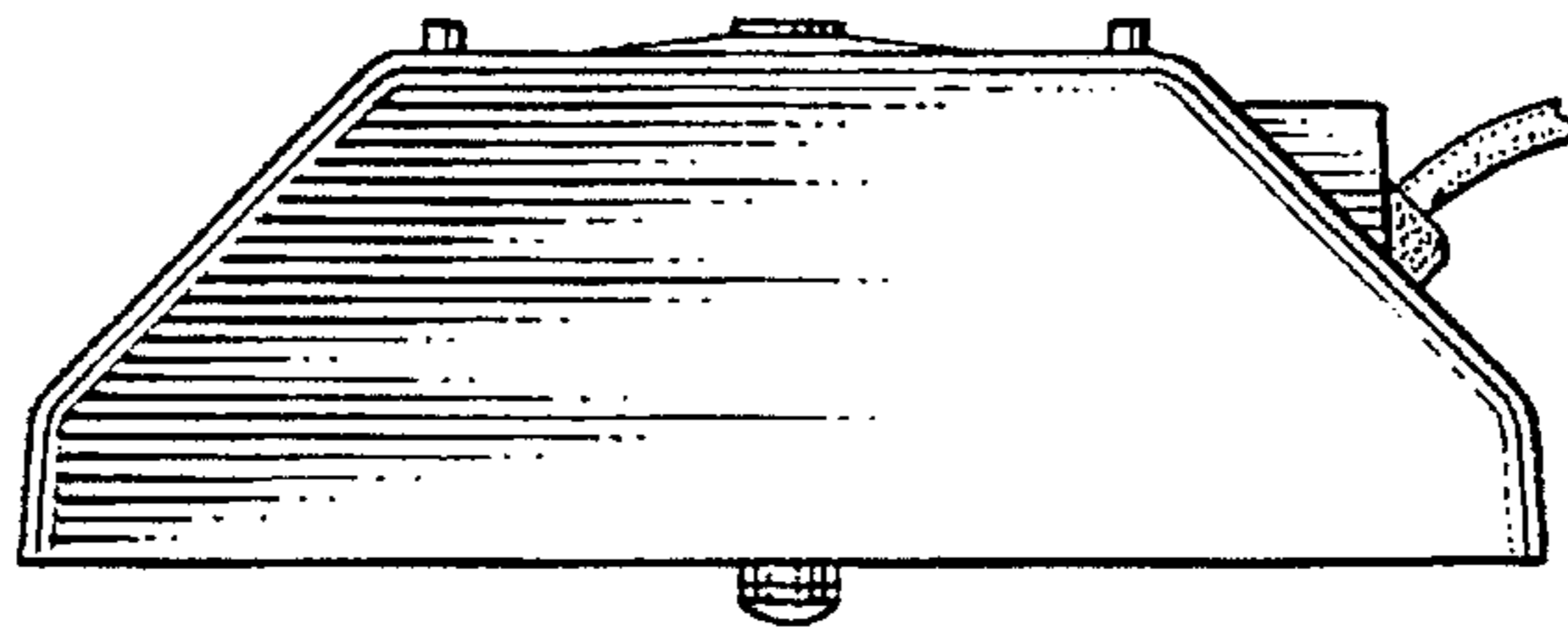


FIG. 5

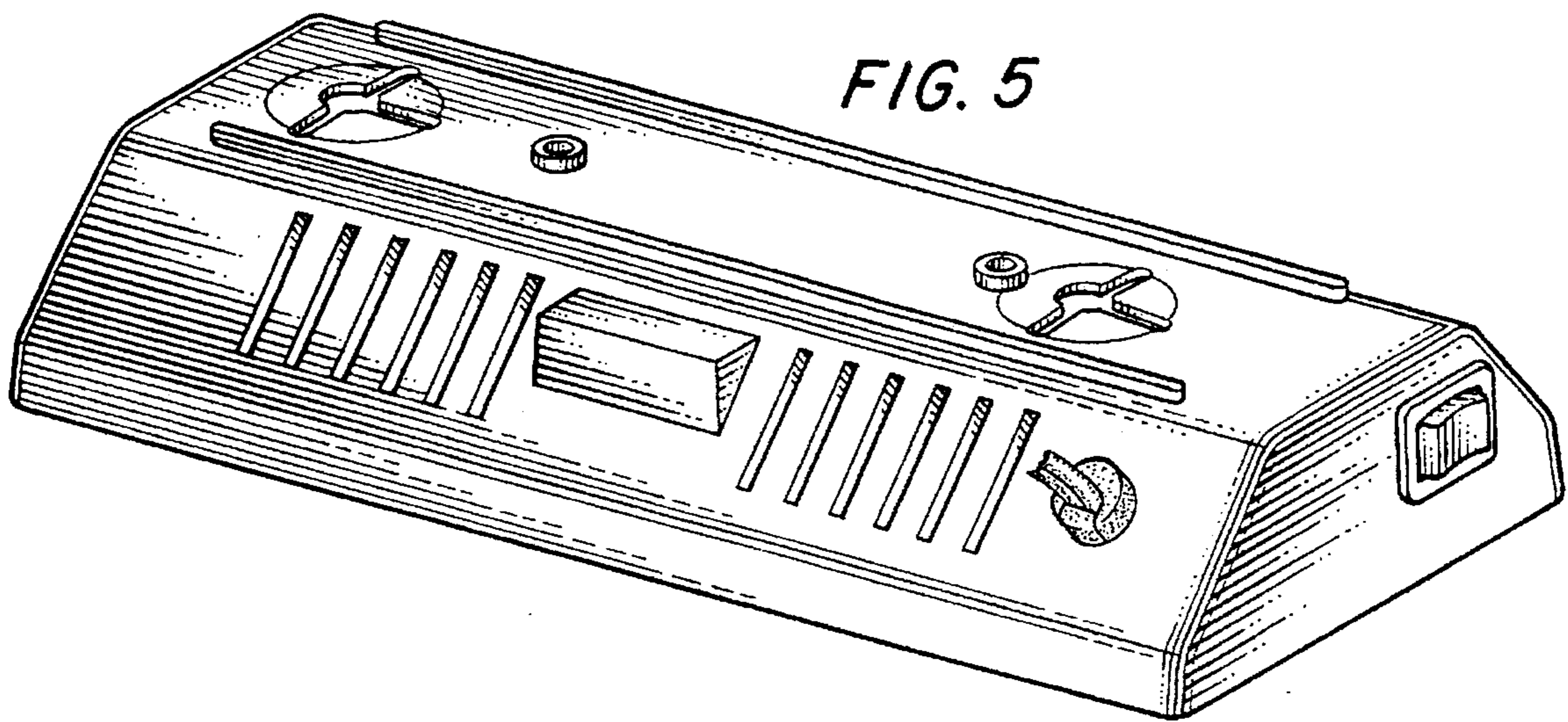


FIG. 6

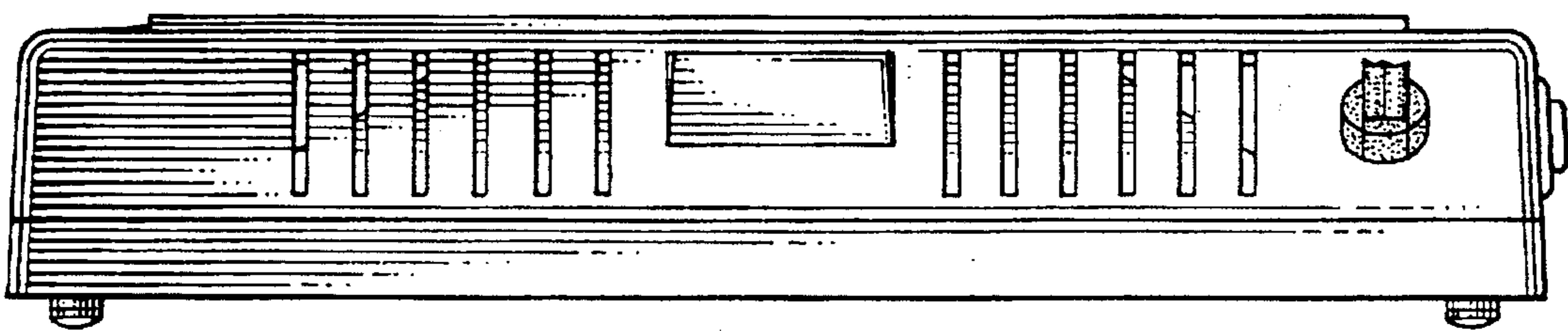
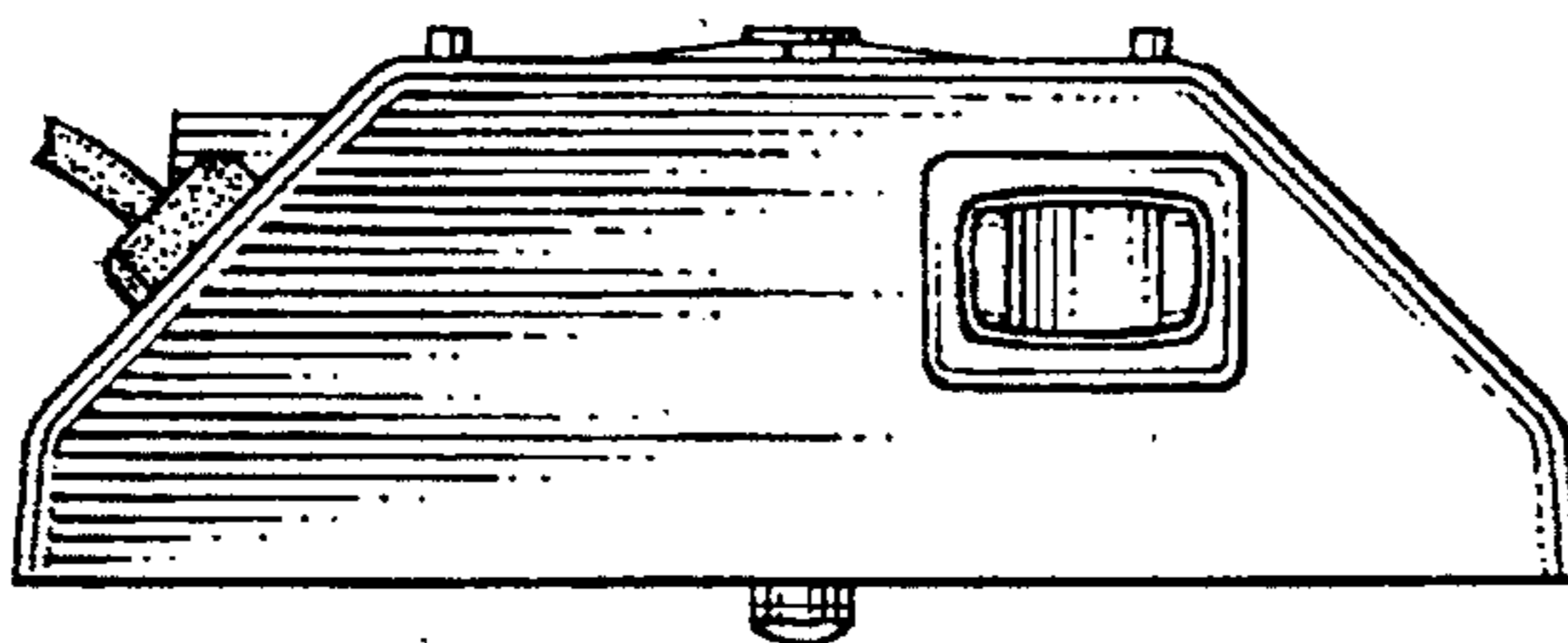


FIG. 7



UNITED STATES PATENT AND TRADEMARK OFFICE  
Certificate

Patent No. D. 383,560

Patented: September 9, 1997

On petition requesting issuance of a certificate for correction of inventorship pursuant to 35 U.S.C. 256, it has been found that the above identified patent, through error and without any deceptive intent, improperly sets forth the inventorship.

Accordingly, it is hereby certified that the correct inventorship of this patent is: Terrance L. Palmer, Glenview, IL; and Richard J. Camarota, Holland, MI.

Signed and Sealed this Twenty-Fifth Day of May, 1999.

ALAN P. DOUGLAS  
*Supervisory Patent Examiner*  
Art Unit 2911