



US00D383559S

# United States Patent [19] Chan

[11] Patent Number: **Des. 383,559**  
[45] Date of Patent: **\*\*Sep. 9, 1997**

[54] **CLAMP-ON LAMP**

[75] Inventor: **Kam-Hoi Chan**, Shatin, Hong Kong  
[73] Assignee: **Go-Gro Industries Ltd**, Kowloon Bay, Hong Kong  
[\*\*] Term: **14 Years**

[21] Appl. No.: **49,392**  
[22] Filed: **Jan. 24, 1996**

[51] LOC (6) Cl. .... **26-05**  
[52] U.S. Cl. .... **D26/60; D26/63**  
[58] Field of Search ..... **D26/60, 61, 62, D26/63, 65; 362/147, 404, 269, 275, 287, 418, 419, 427, 396**

[56] **References Cited**

**U.S. PATENT DOCUMENTS**

D. 117,474 11/1939 Grode ..... D26/60

**OTHER PUBLICATIONS**

Electrix Halogens Task Lighting Catalog, May 1987, p. 13, Universal Clip Halogen #7020.  
B.A. Pargh Co. Spring & Summer Catalog, 1985, p. 93, Clip-On Spotlight.

Hong Kong Enterprise, Jun. 1991, p. 290, Clip-On Spotlight.

*Primary Examiner*—Susan J. Lucas  
*Attorney, Agent, or Firm*—Merchant, Gould, Smith, Edell, Welter & Schmidt, P.A.

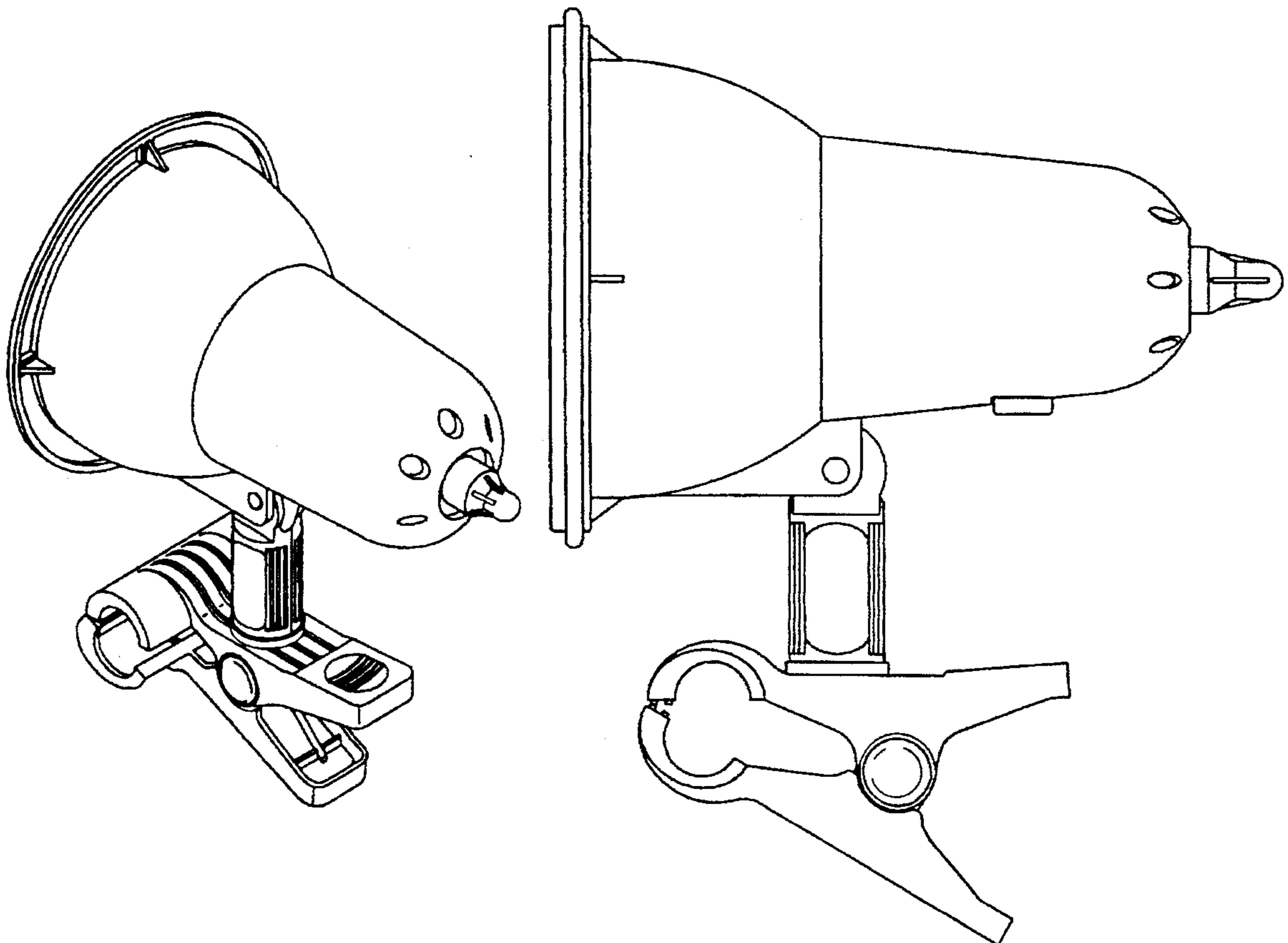
[57] **CLAIM**

The ornamental design for a clamp-on lamp, as shown and described.

**DESCRIPTION**

FIG. 1 is a perspective view of a clamp-on lamp showing my new design;  
FIG. 2 is a front elevational view thereof;  
FIG. 3 is a rear elevational view thereof;  
FIG. 4 is a right side elevational view thereof;  
FIG. 5 is a left side elevational view thereof;  
FIG. 6 is a top plan view thereof;  
FIG. 7 is a bottom plan view thereof; and,  
FIG. 8 is a perspective view of the clamp-on lamp in an alternate position.

**1 Claim, 8 Drawing Sheets**



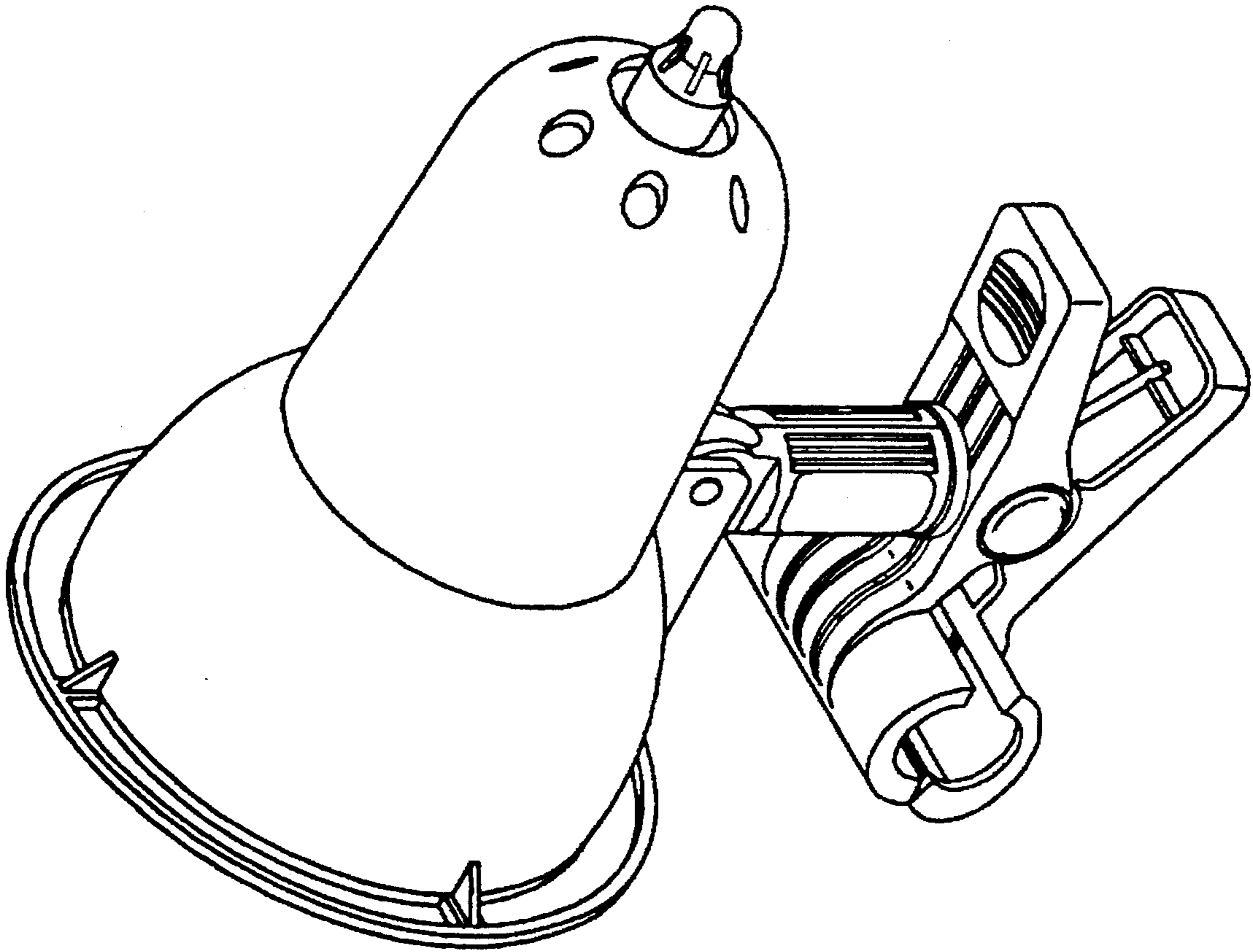


FIG. 1

FIG. 2

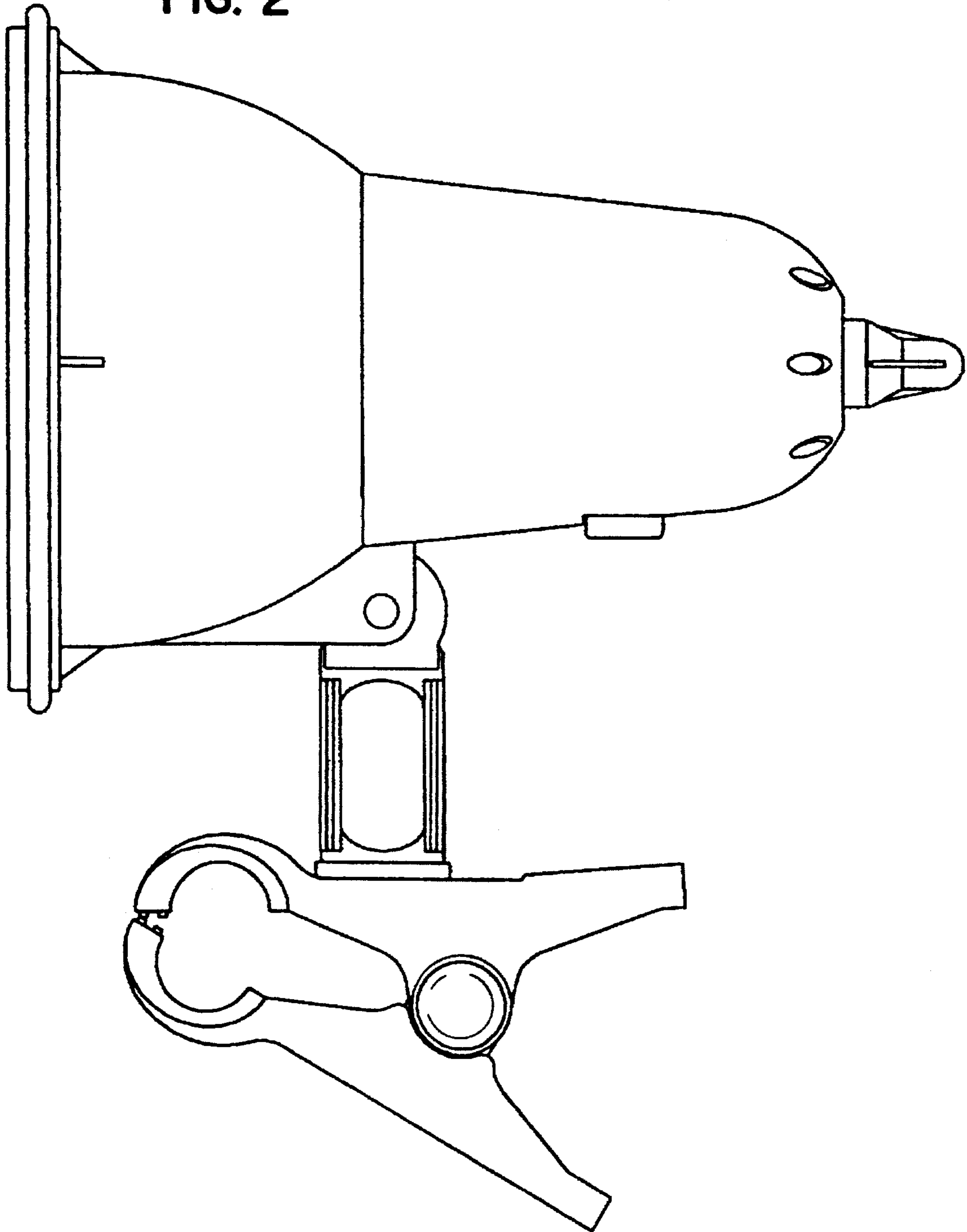


FIG. 3

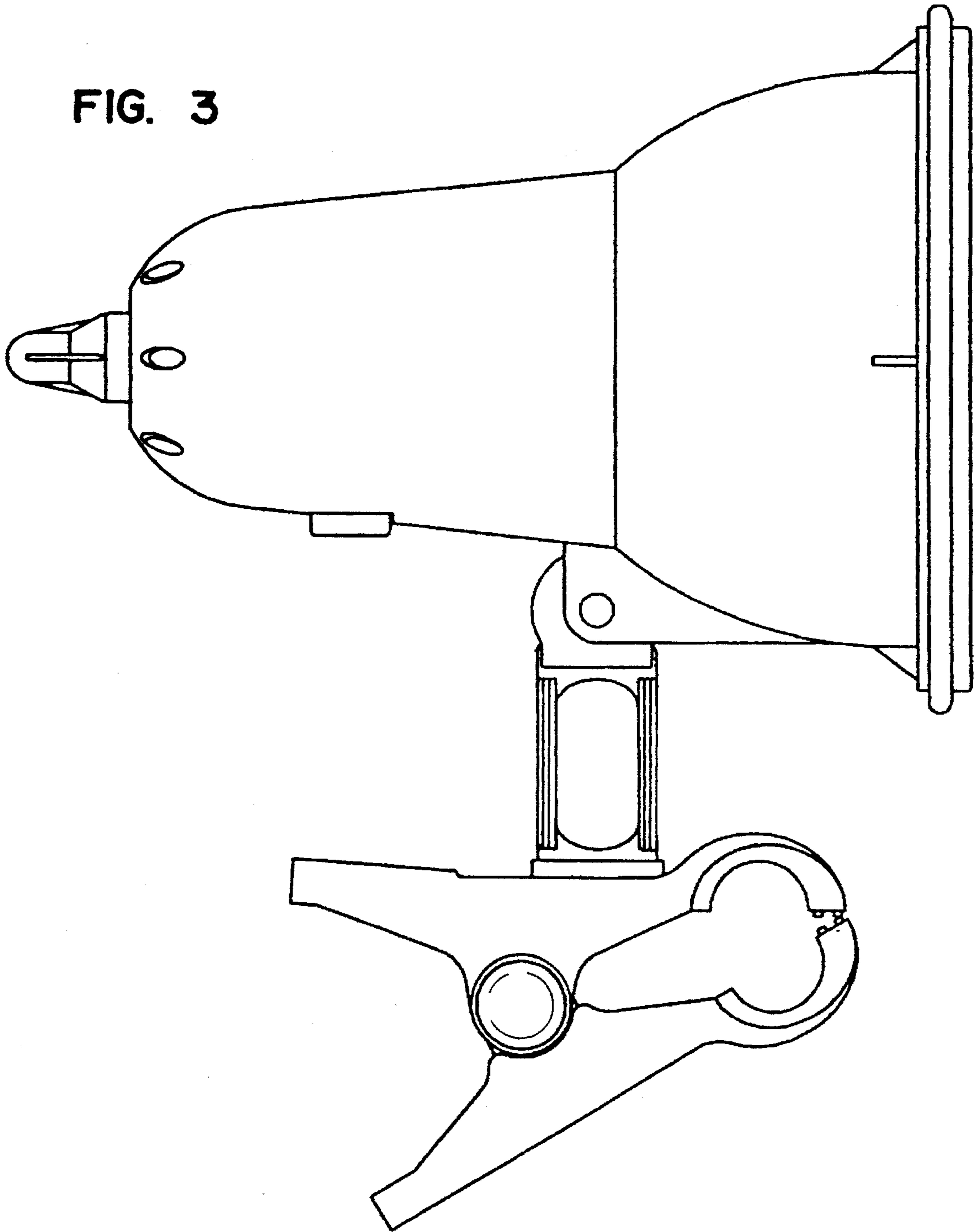
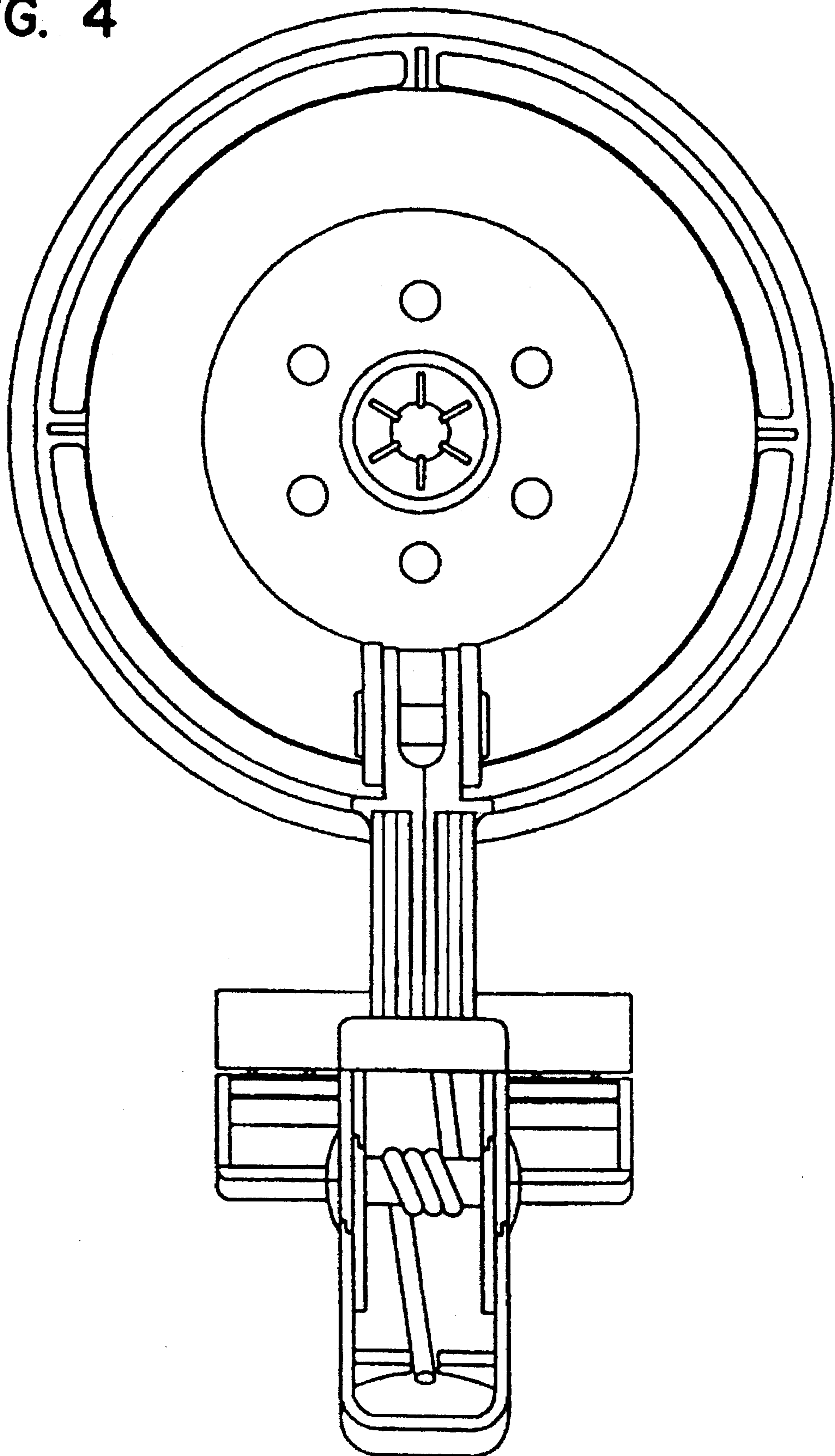


FIG. 4



**FIG. 5**

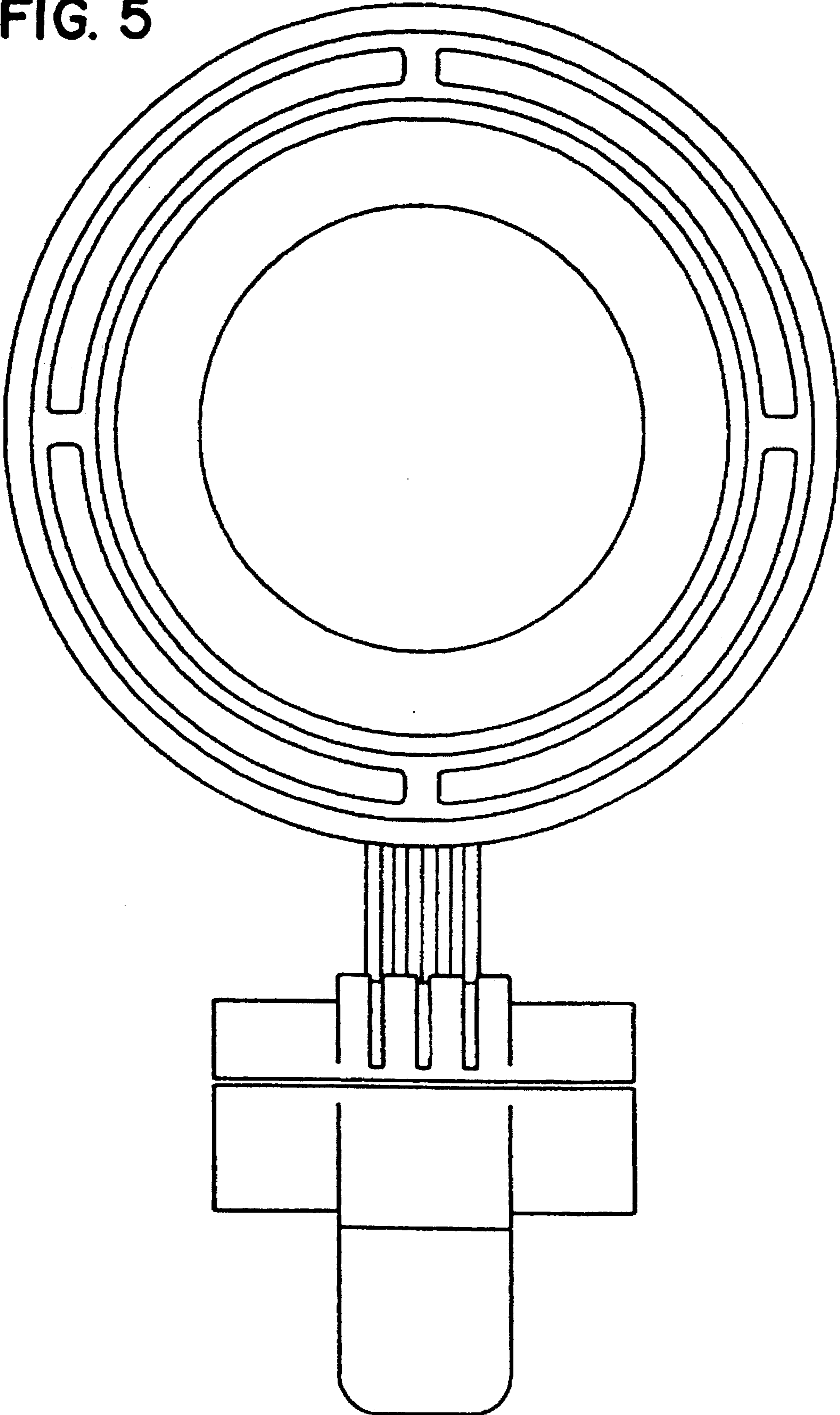


FIG. 6

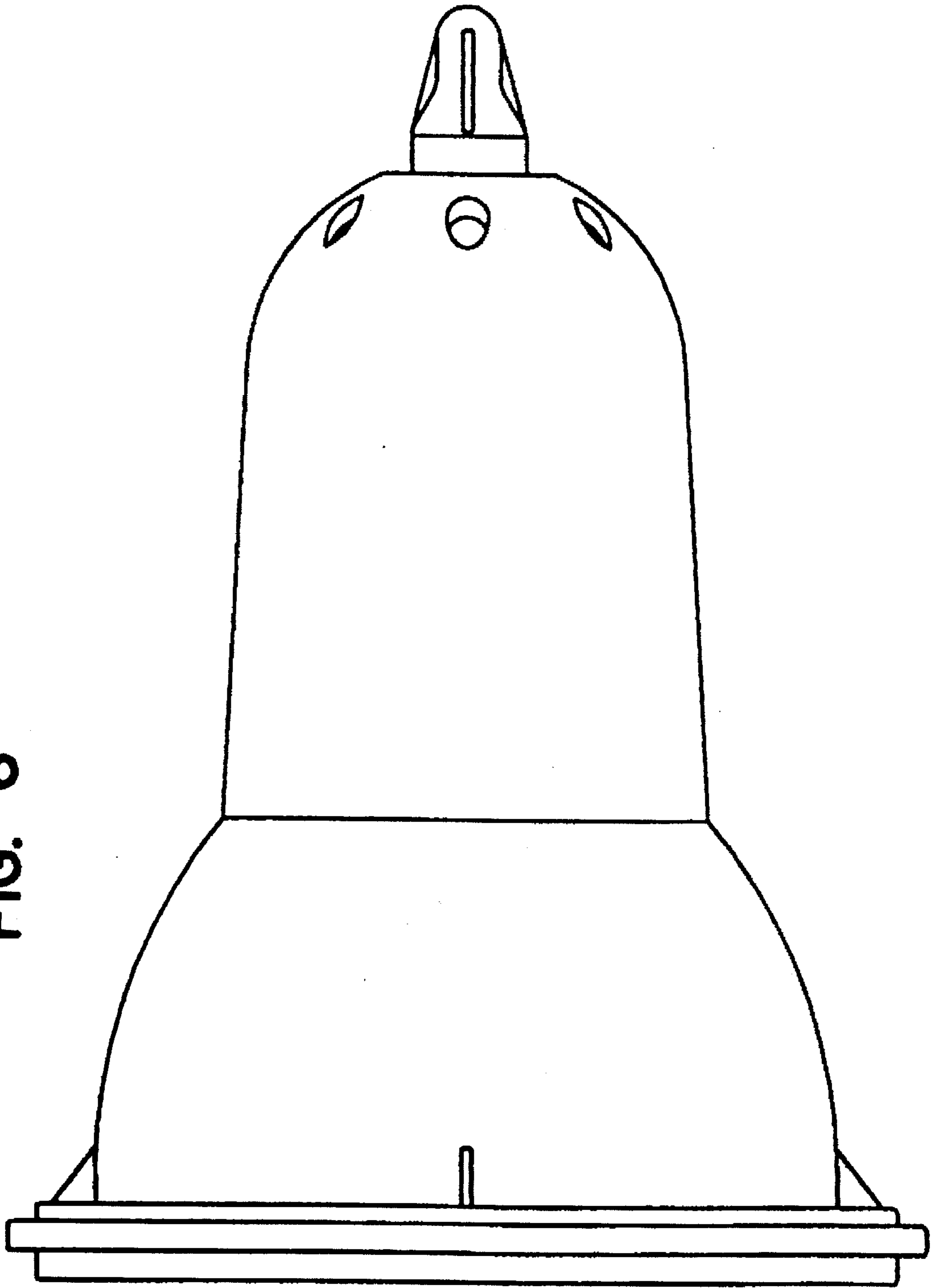
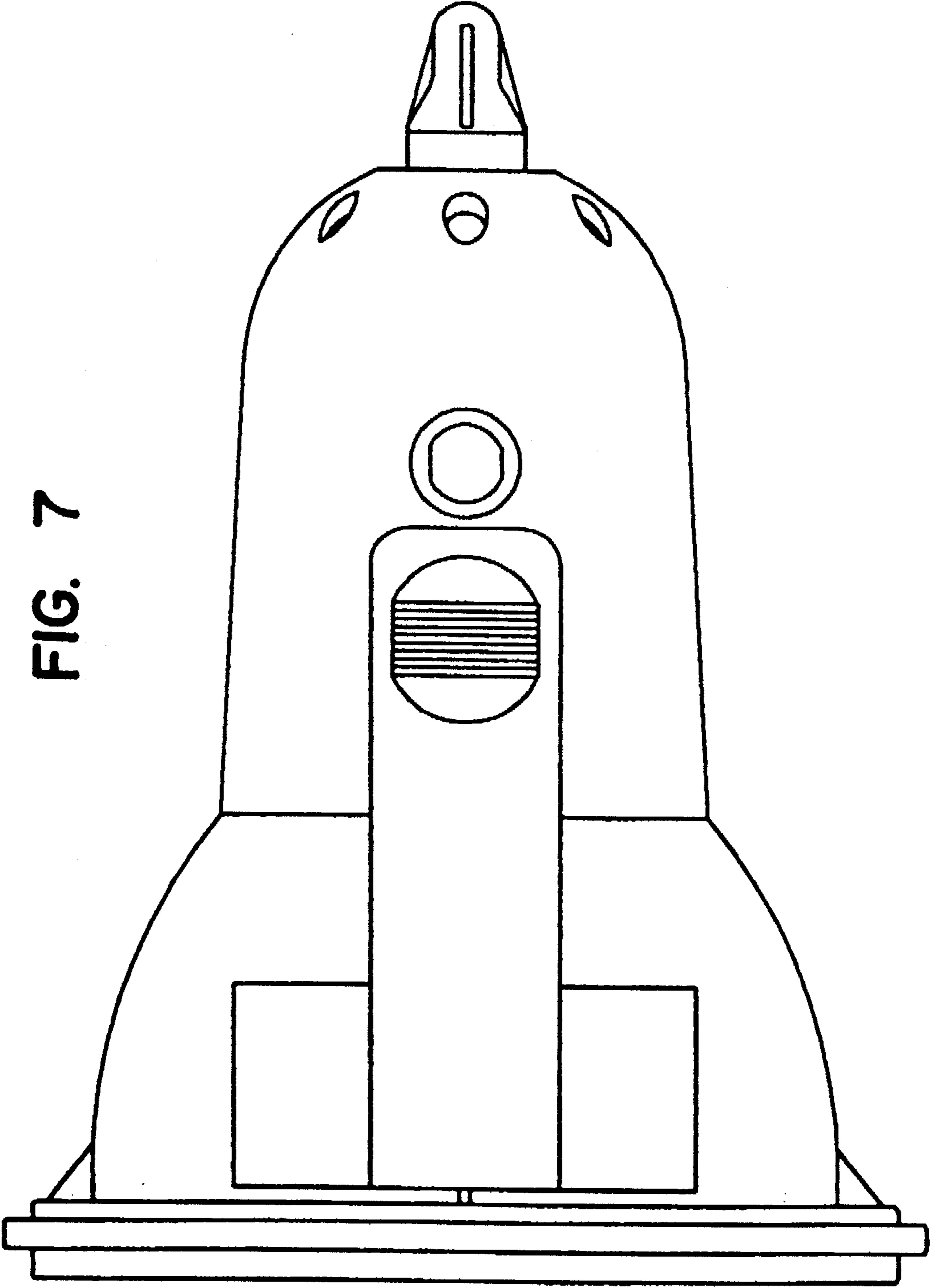


FIG. 7





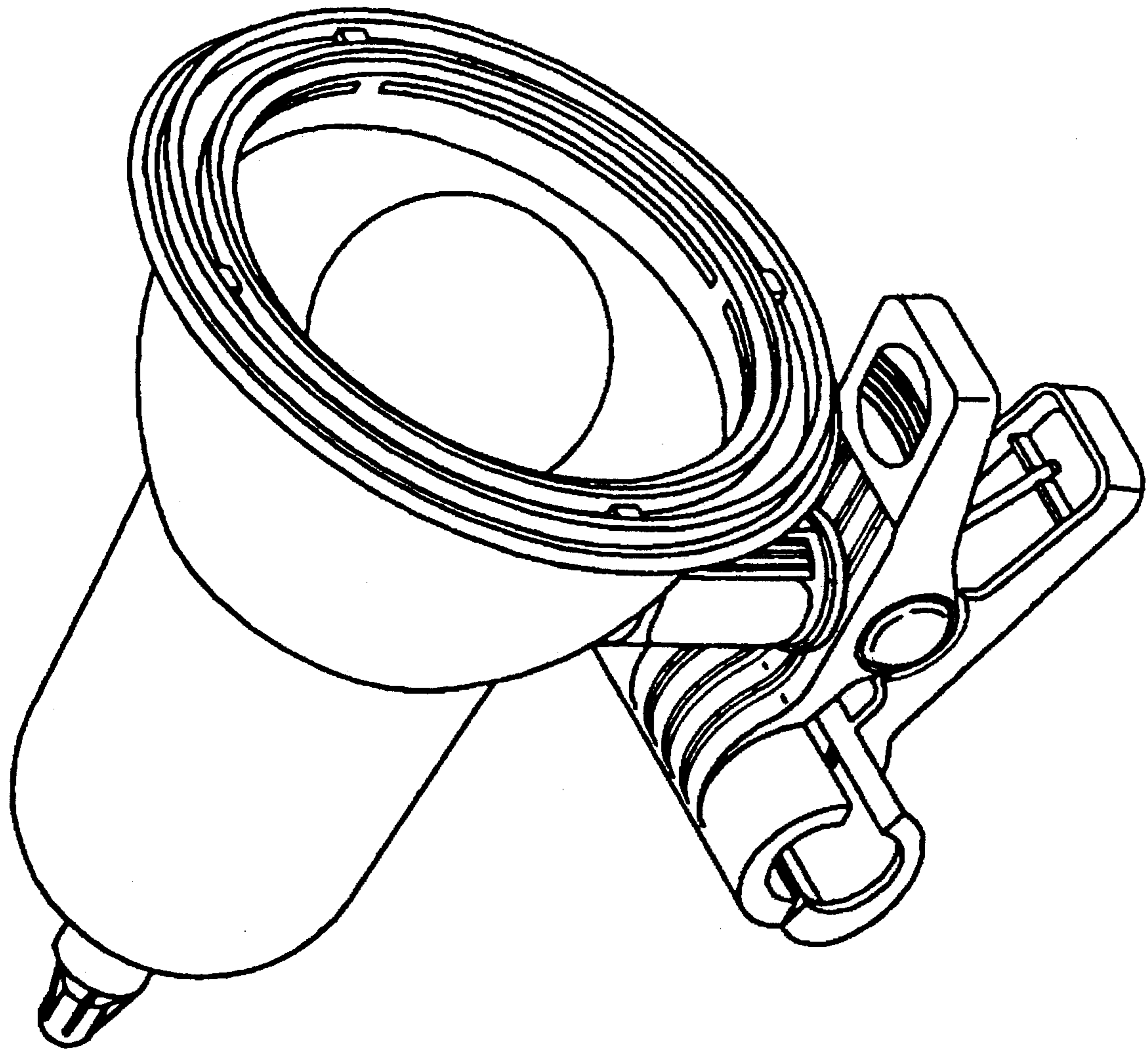


FIG. 8