



US00D383558S

United States Patent [19]
Parker

[11] **Patent Number:** **Des. 383,558**

[45] **Date of Patent:** ****Sep. 9, 1997**

[54] **FLASHLIGHT**

[75] **Inventor:** **David H. Parker**, Torrance, Calif.

[73] **Assignee:** **Pelican Products, Inc.**, Torrance, Calif.

[**] **Term:** **14 Years**

[21] **Appl. No.:** **58,750**

[22] **Filed:** **Aug. 22, 1996**

[51] **LOC (6) Cl.** **26-02**

[52] **U.S. Cl.** **D26/44**

[58] **Field of Search** D26/37-50; 362/157,
362/158, 171, 172, 173, 178, 181, 183,
192-198, 200-208

[56] **References Cited**

U.S. PATENT DOCUMENTS

- D. 297,372 8/1988 Poon D26/42
- D. 368,784 4/1996 Yuen D26/42

OTHER PUBLICATIONS

Pelican VersaBrite II advertisement with listing of Pelican Products' lights, catalog number and description, 2 pages.

Primary Examiner—Marcus A. Jackson

Attorney, Agent, or Firm—Merchant, Gould, Smith, Edell, Welter & Schmidt

[57] **CLAIM**

The ornamental design for a flashlight, substantially as shown and described.

DESCRIPTION

FIG. 1 is a perspective view of the flashlight of the present invention;

FIG. 2 is a front view of the flashlight;

FIG. 3 is a rear view of the flashlight;

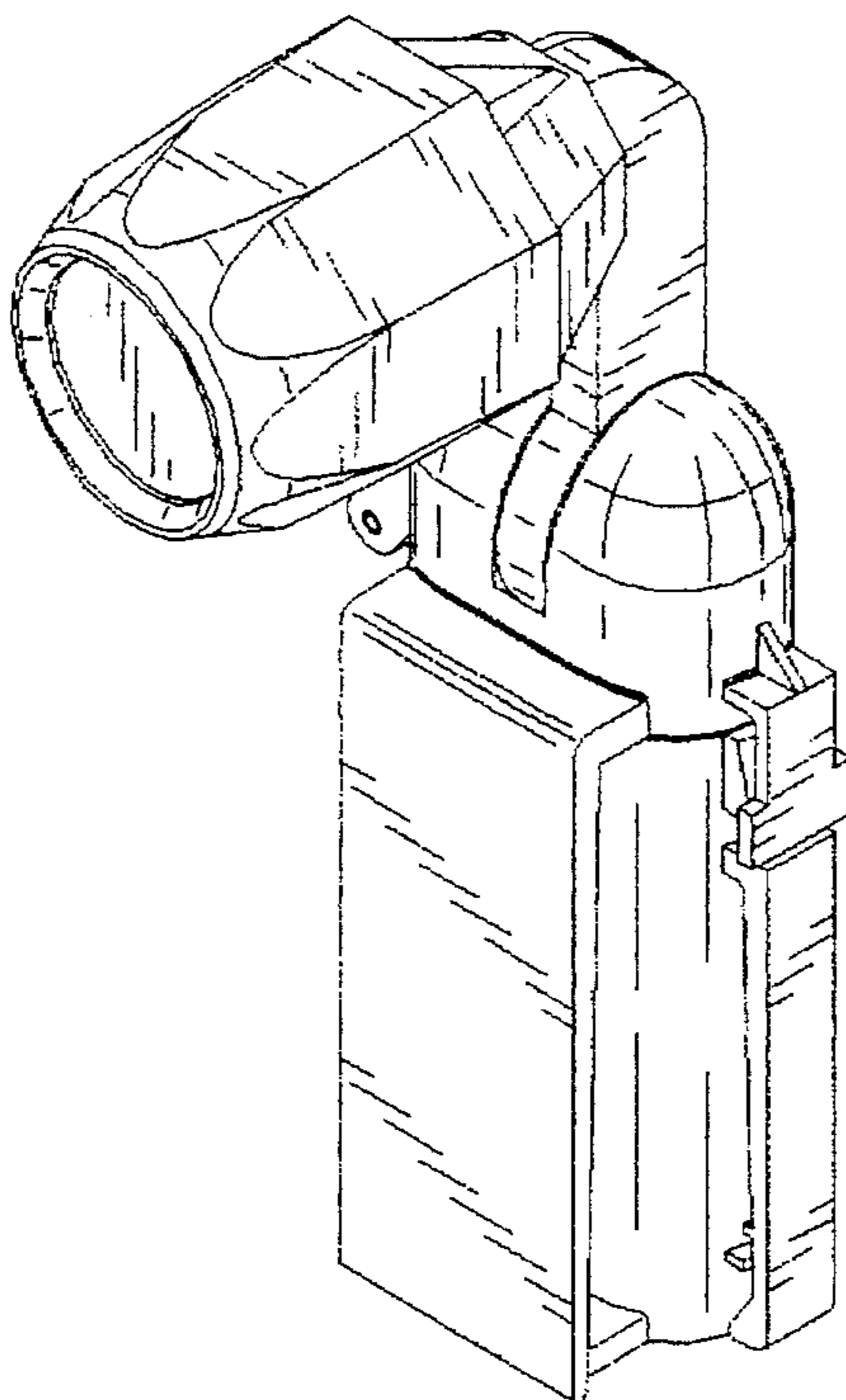
FIG. 4 is a side view of the flashlight showing the different positions of the flashlight head;

FIG. 5 is a side view of the flashlight;

FIG. 6 is a bottom view of the flashlight; and,

FIG. 7 is a top view of the flashlight.

1 Claim, 1 Drawing Sheet



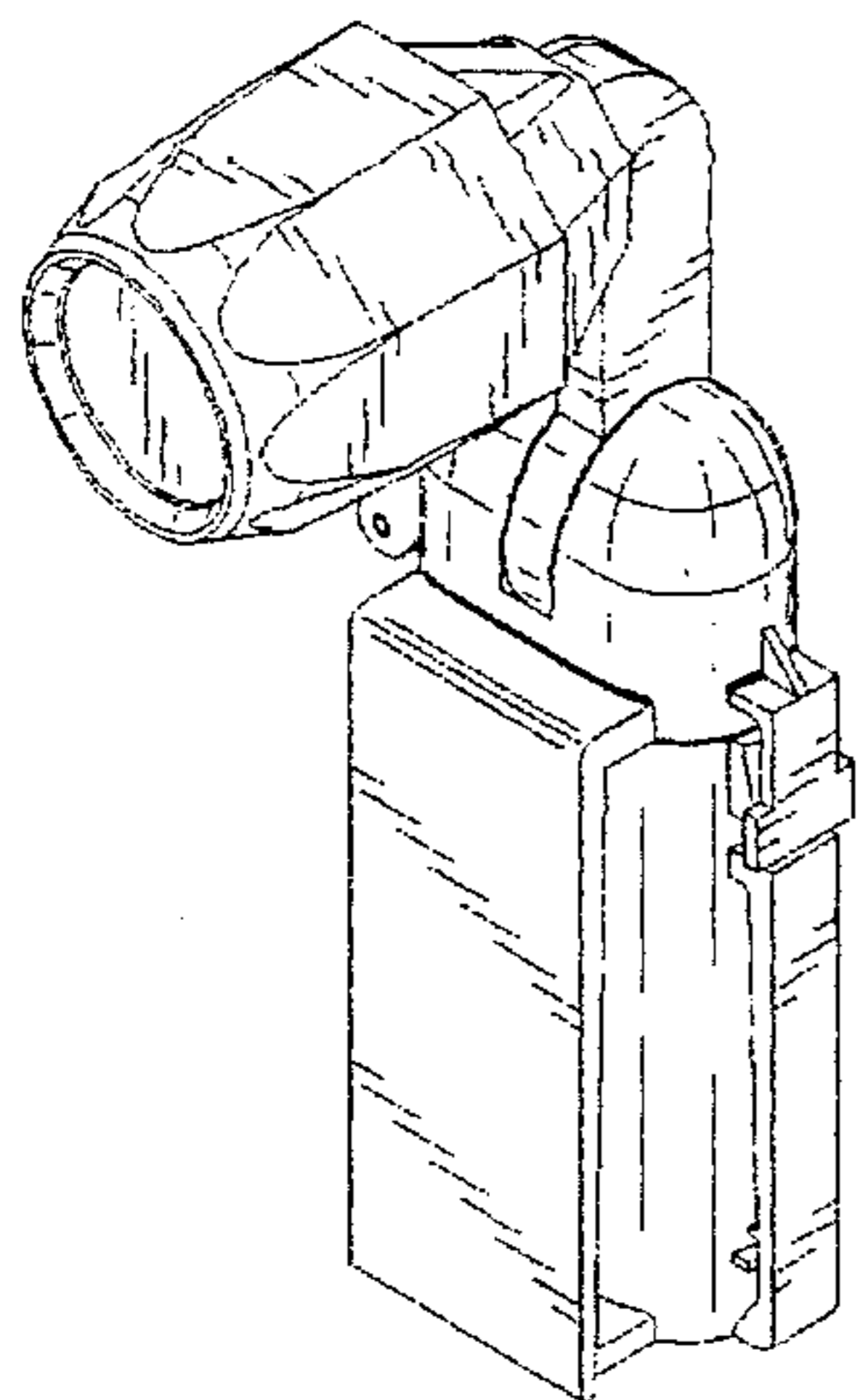


FIG. 1

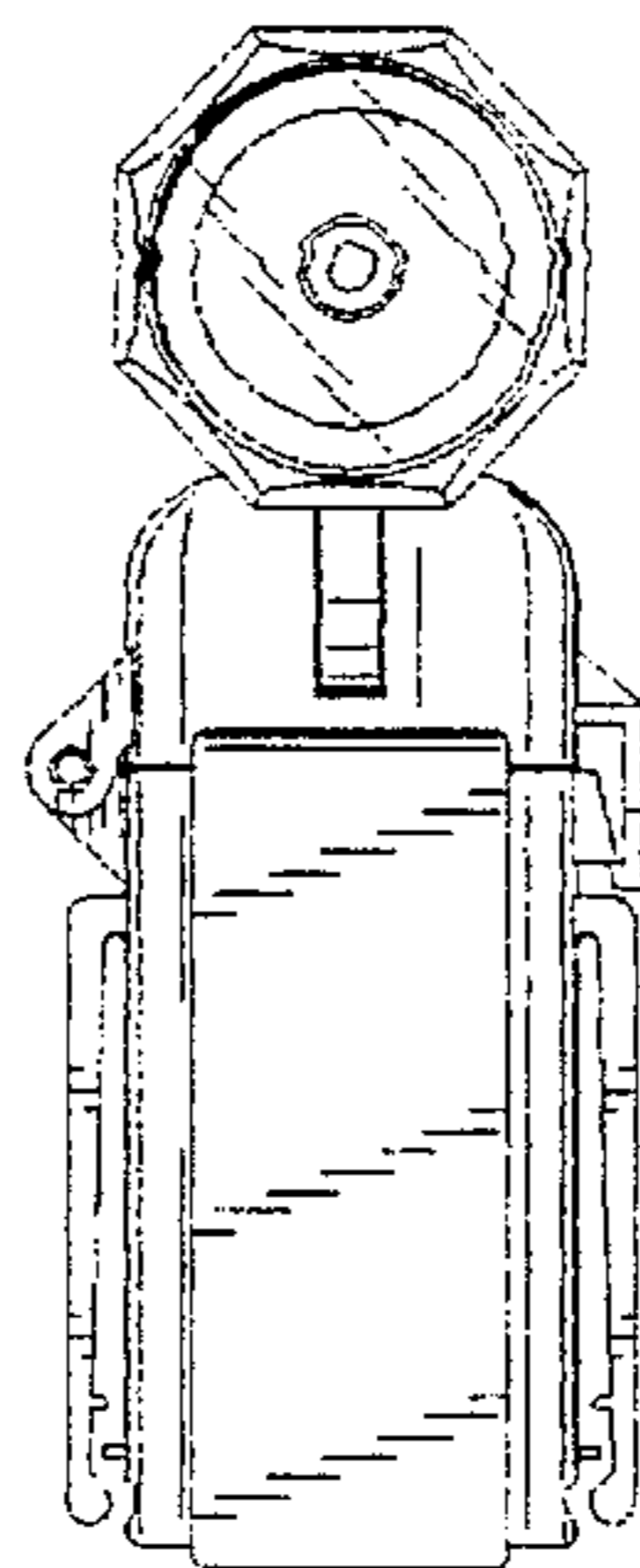


FIG. 2

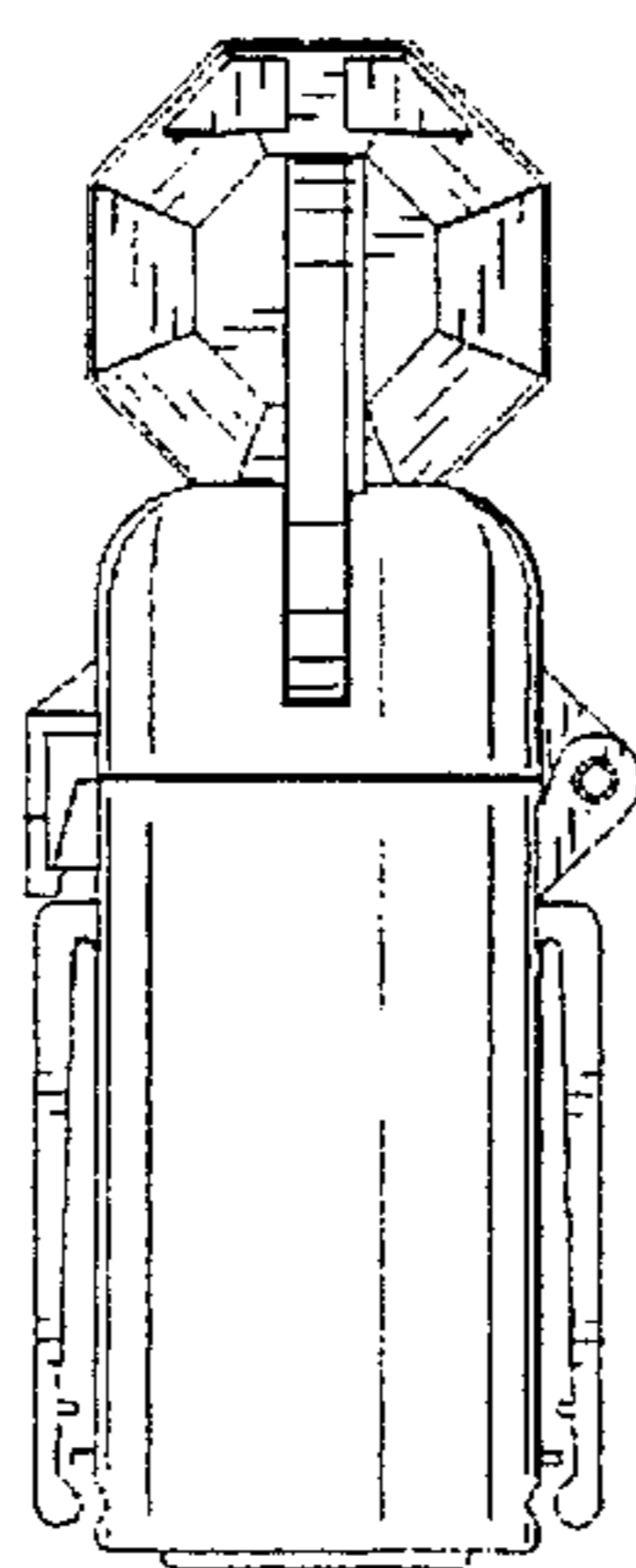


FIG. 3

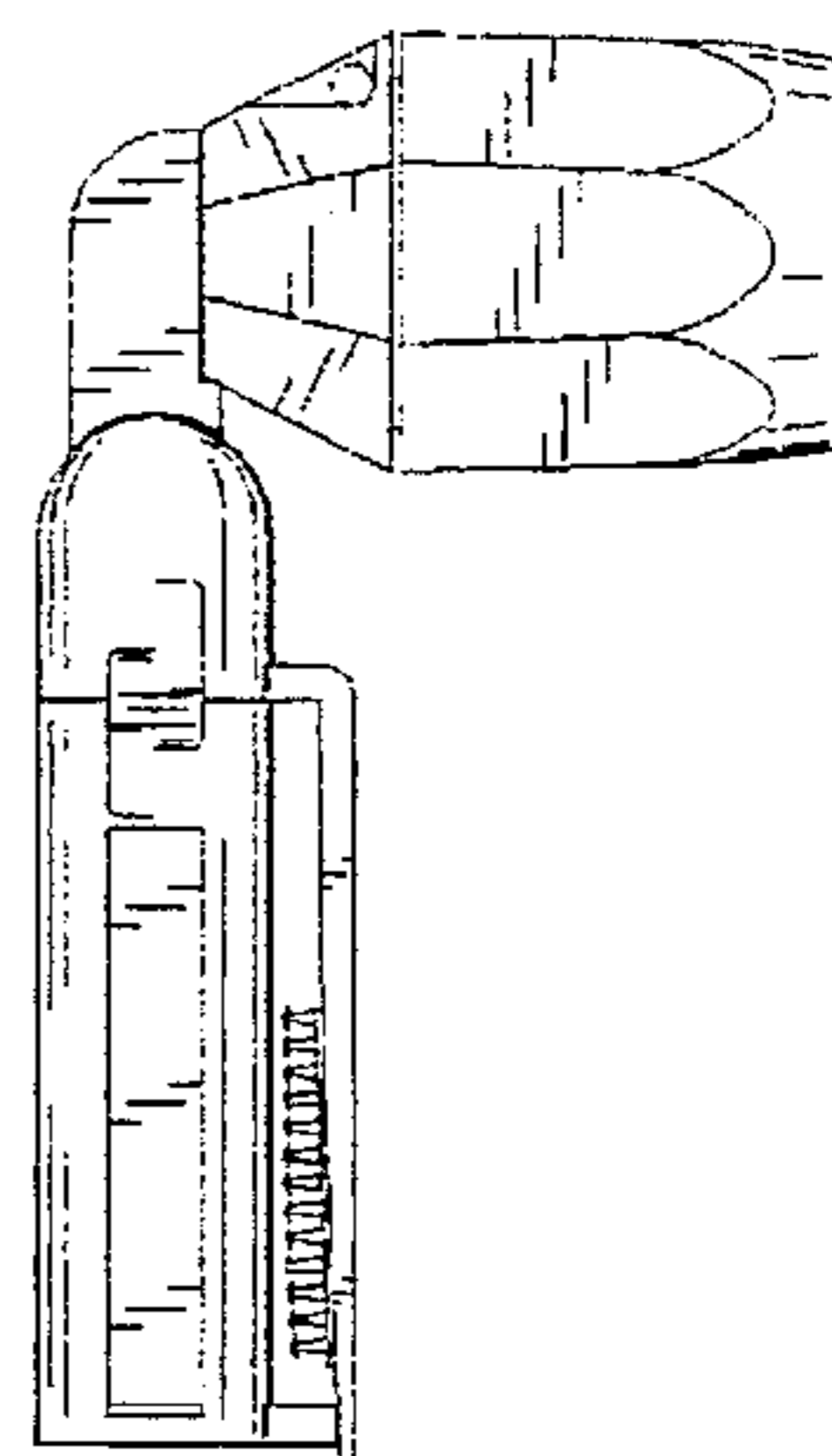


FIG. 4

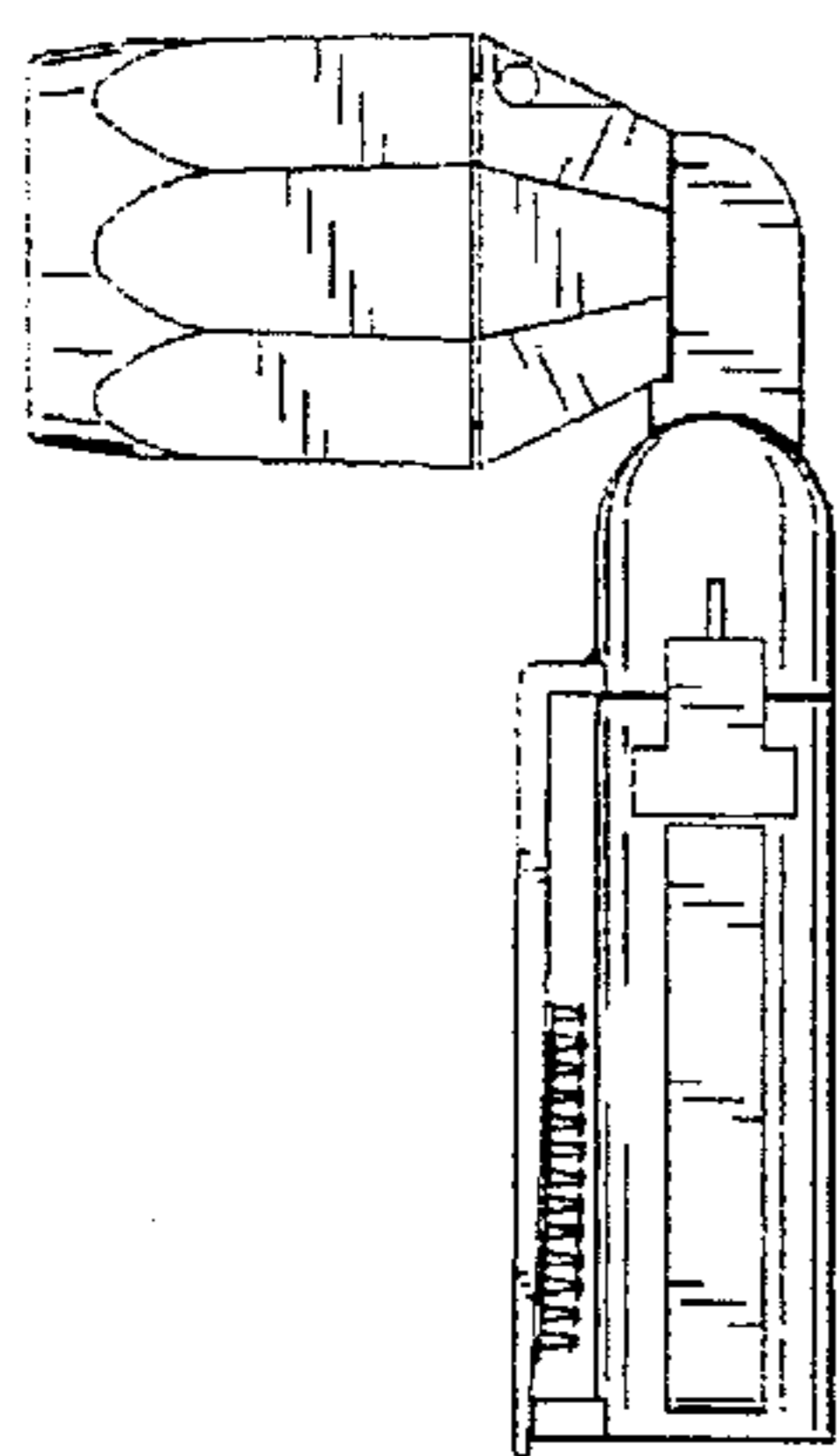


FIG. 5

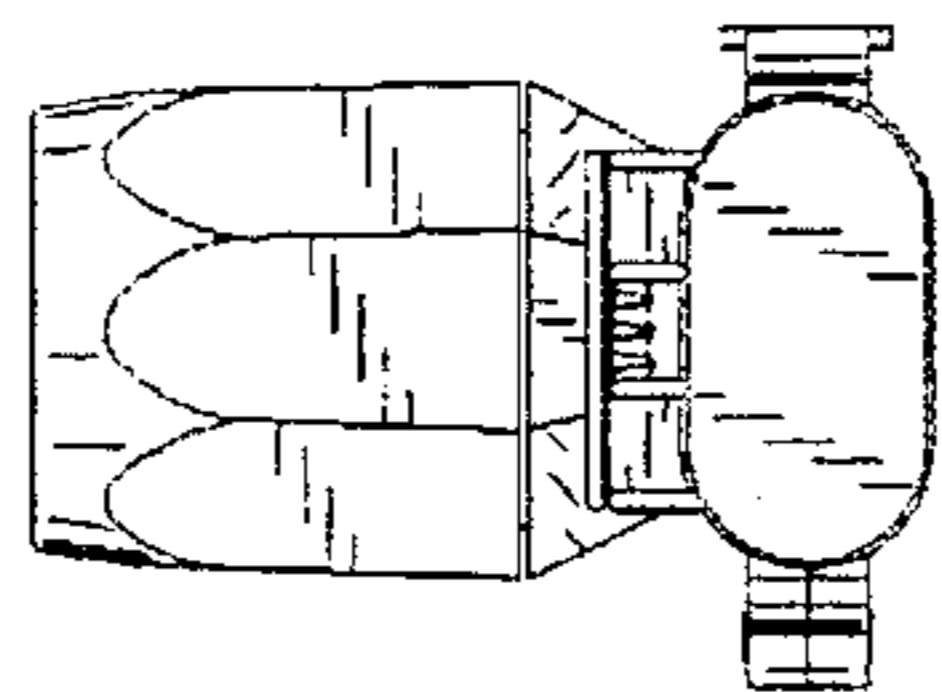


FIG. 6

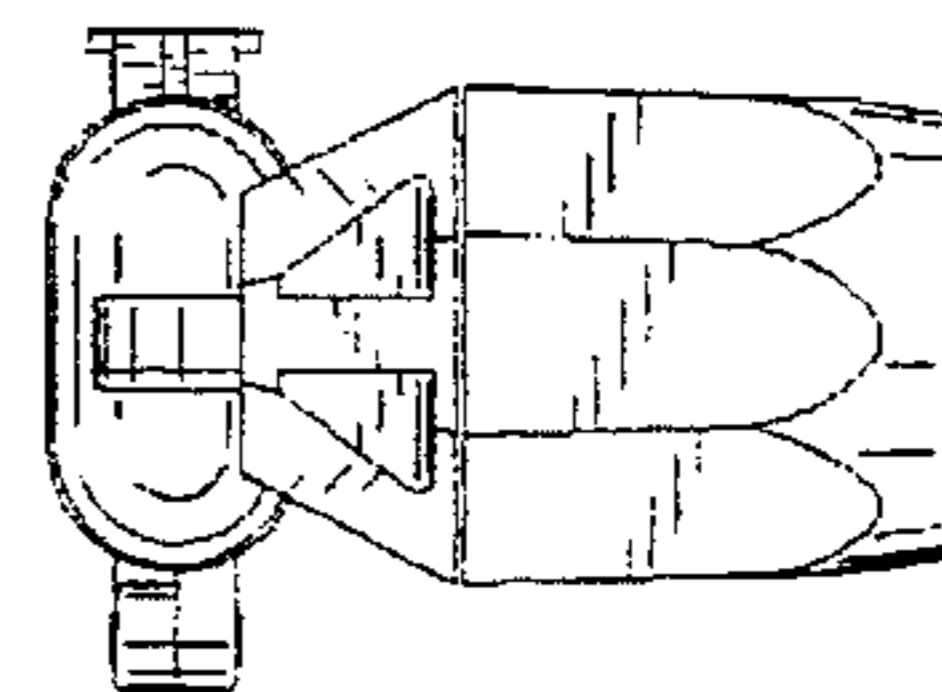


FIG. 7