



US00D383554S

United States Patent [19] Hart

[11] Patent Number: **Des. 383,554**
[45] Date of Patent: ****Sep. 9, 1997**

[54] **INTERLOCKING PANEL**
[75] Inventor: **Keith Hart**, Newmarket, Canada
[73] Assignee: **Majestic Plastics Ltd.**, Weston
[**] Term: **14 Years**

3,007,558 11/1961 Miller D25/121
3,386,218 6/1968 Scott 52/588.1
4,201,020 5/1980 Saunders 52/580

FOREIGN PATENT DOCUMENTS

1227791 8/1960 France 52/582.2
2501267 10/1982 France D25/119

[21] Appl. No.: **50,534**
[22] Filed: **Dec. 27, 1995**

Primary Examiner—Ruth McInroy
Assistant Examiner—Gregory Andoll

[51] **LOC (6) Cl.** **25-01**
[52] **U.S. Cl.** **D25/138; D25/102**
[58] **Field of Search** D25/138, 58, 119-124,
D25/164, 41-44; 52/730.3, 730.4, 730.5,
731.2, 731.3, 732.1, 732.2, 588.1, 583.1,
586.2

[57] CLAIM

The ornamental design for an interlocking panel, as shown and described.

DESCRIPTION

FIG. 1 is a perspective view looking down one side of the interlocking panel with the other side perspective view being a mirror image; and,

FIG. 2 is a view from one end of the interlocking panel with the other end being a mirror image.

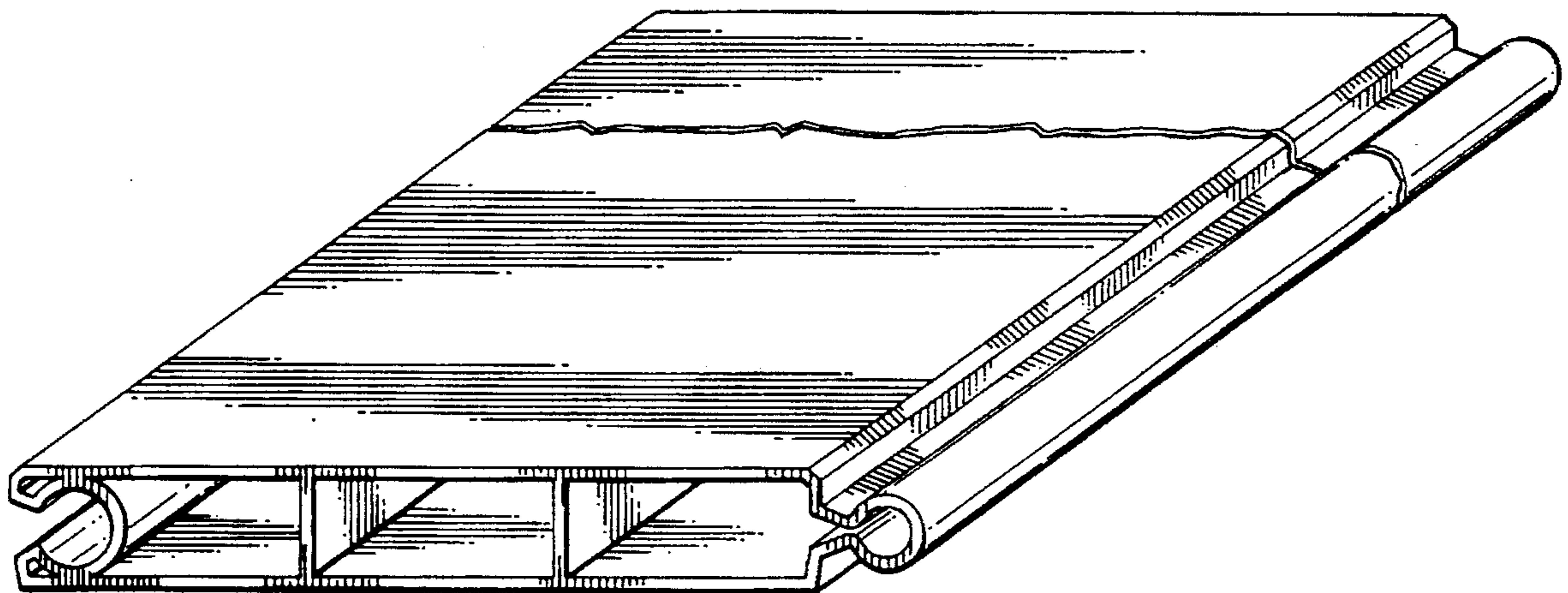
The interlocking panel shown is of indeterminate length.

[56] References Cited

U.S. PATENT DOCUMENTS

D. 329,914 9/1992 Vielleux D25/138
2,146,180 2/1939 Frick 52/580
2,457,129 12/1948 Collings D25/122
2,495,862 1/1950 Osborn 52/580

1 Claim, 1 Drawing Sheet



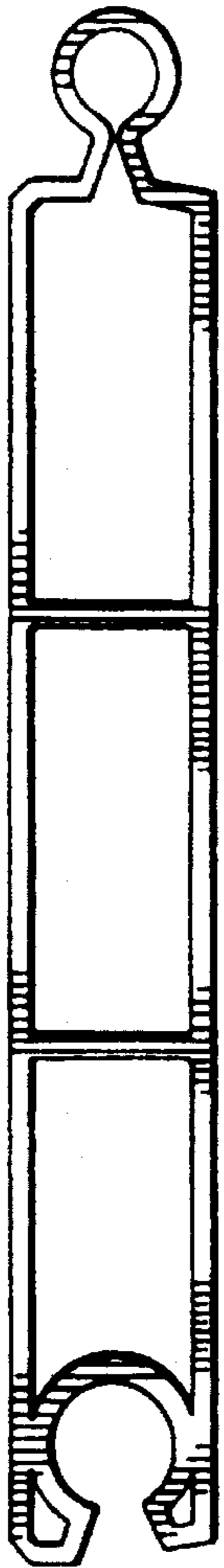


FIG. 2.

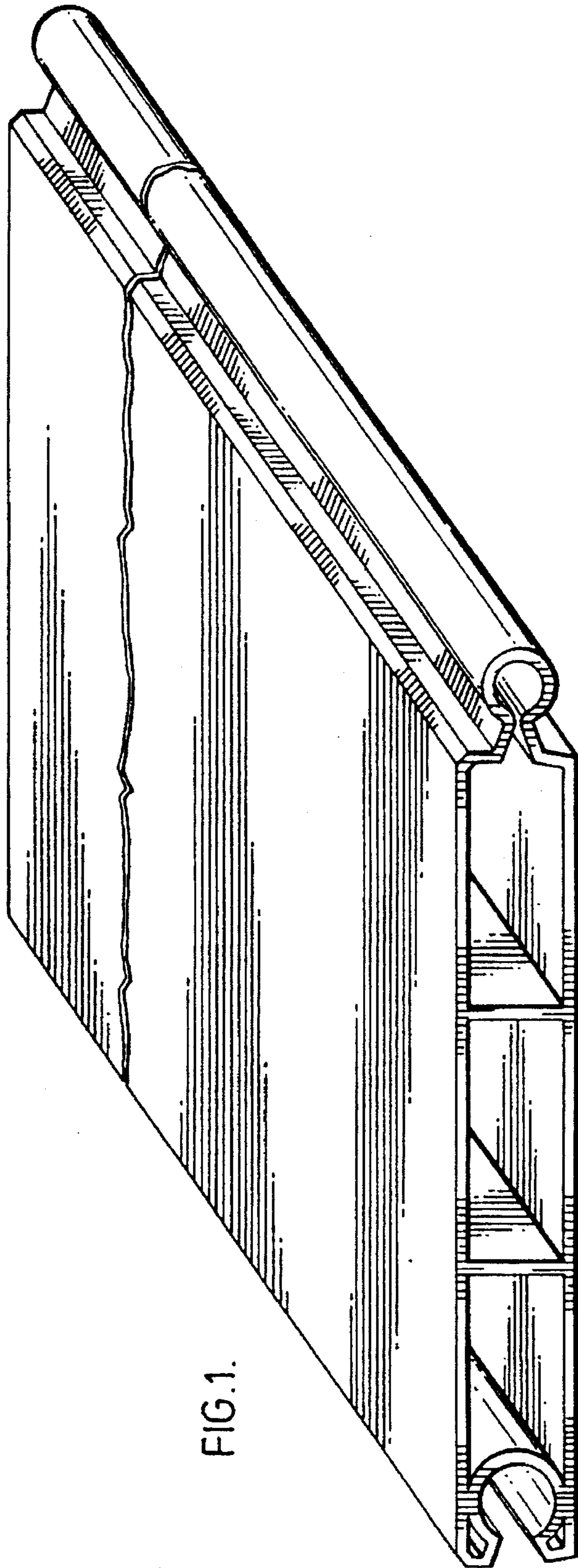


FIG. 1.