



US00D383550S

United States Patent [19]

Larson et al.

[11] Patent Number: **Des. 383,550**

[45] Date of Patent: ****Sep. 9, 1997**

[54] **REAGENT TEST STRIP**

5,352,411 10/1994 Khari 422/58

[75] Inventors: **Loren Robert Larson; Harshad Ishwarbhai Patel; Gregory Lewis Bennett**, all of Fremont; **John Timothy Lemke**, Pleasanton; **Lorin Philip Olson**, Scotts Valley; **David P. Matzinger**, Menlo Park, all of Calif.

FOREIGN PATENT DOCUMENTS

0574134 12/1993 European Pat. Off. .

OTHER PUBLICATIONS

Accucheck Easy: @1994.
Accutrend: @1994.
Miles Glucofilm -yellow tip: @1994.
Accu-Chek® Easy™-Boehringer Mannheim.
Accutrend®-Boehringer Mannheim.
Glucofilm®-Miles.

[73] Assignee: **LifeScan, Inc.**, Milpitas, Calif.

[**] Term: **14 Years**

Primary Examiner—Ruth McInroy
Assistant Examiner—I. Simmons
Attorney, Agent, or Firm—James Riesenfeld

[21] Appl. No.: **50,127**

[22] Filed: **Feb. 9, 1996**

[57] CLAIM

Related U.S. Application Data

[63] Continuation of Ser. No. 32,328, Dec. 16, 1994, abandoned.

[51] LOC (6) Cl. **24-02**

[52] U.S. Cl. **D24/225; D24/216**

[58] Field of Search D24/224, 223,
D24/216, 225; 422/60, 56, 58, 61; D10/81

The ornamental design for a reagent test strip, as shown and described.

DESCRIPTION

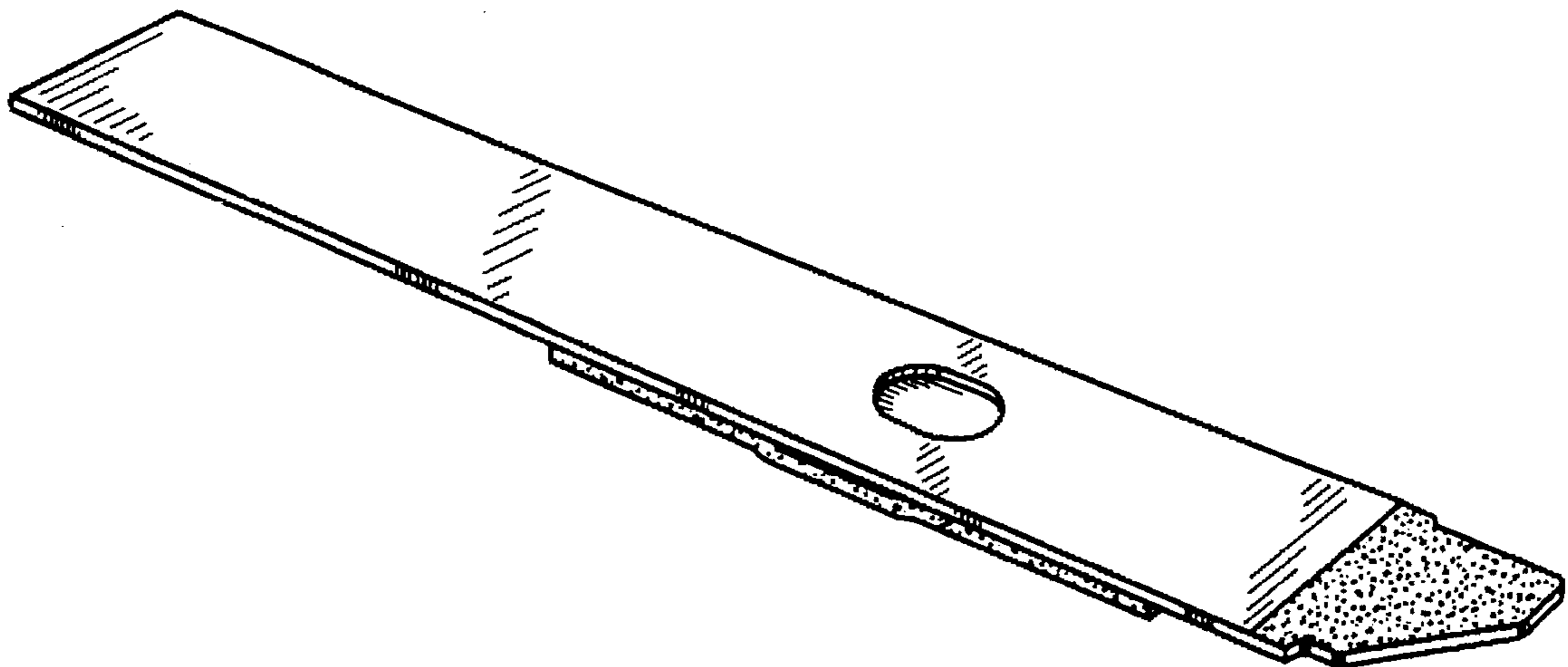
[56] References Cited

U.S. PATENT DOCUMENTS

D. 266,694 10/1982 Boyer et al. D24/225
D. 333,185 2/1993 Andersen et al. D24/216 X
3,552,925 1/1971 Fetter D24/225 X
5,075,078 12/1991 Osikowicz et al. 422/56
5,187,100 2/1993 Matzinger et al. 422/56 X
5,304,468 4/1994 Phillips et al. 422/56 X

FIG. 1 is a perspective view of a reagent test strip, showing our new design;
FIG. 2 is a top plan view thereof;
FIG. 3 is a right side elevational view thereof;
FIG. 4 is a bottom plan view thereof;
FIG. 5 is a left side elevational view thereof;
FIG. 6 is a front elevational view thereof; and,
FIG. 7 is a rear elevational view thereof.

1 Claim, 1 Drawing Sheet



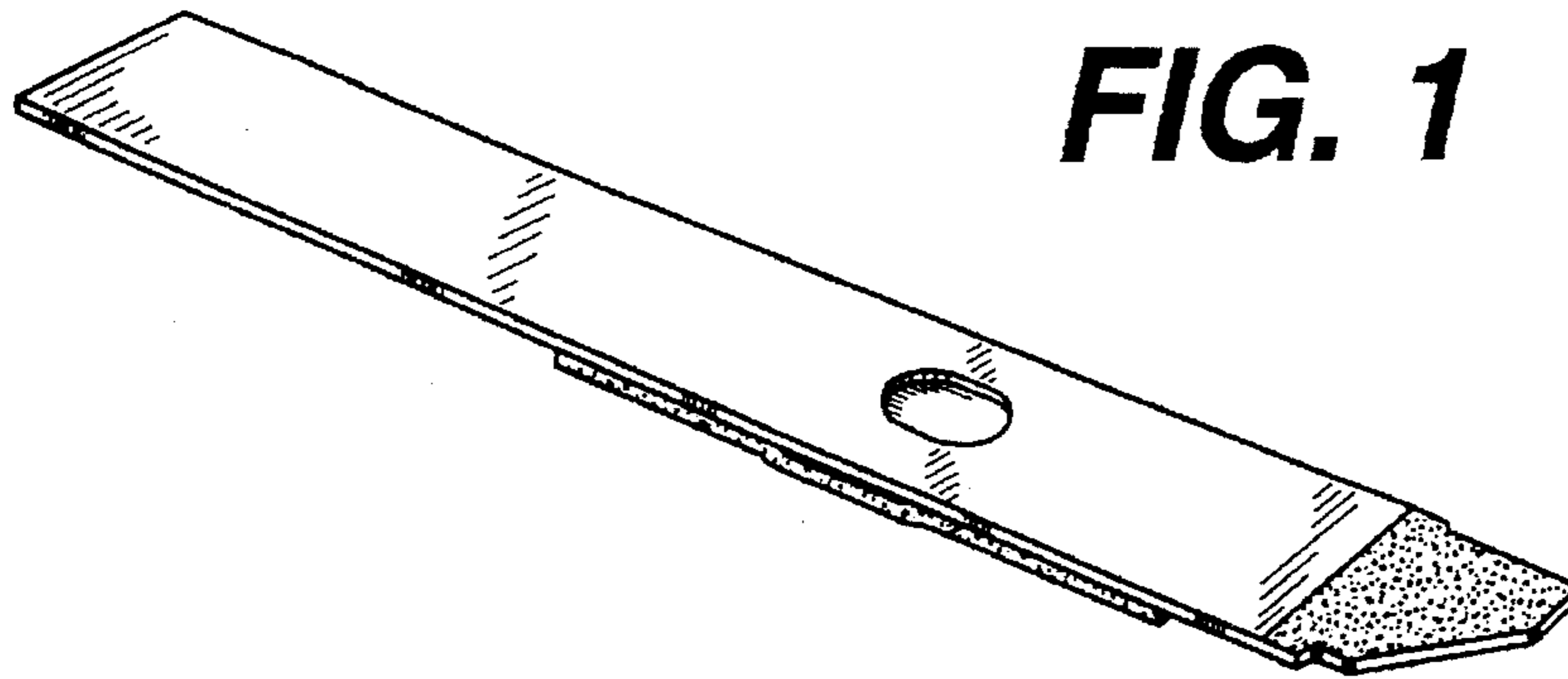


FIG. 1

FIG. 2



FIG. 3

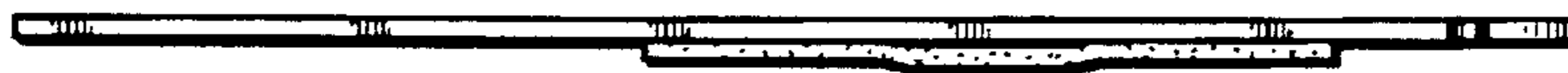


FIG. 4

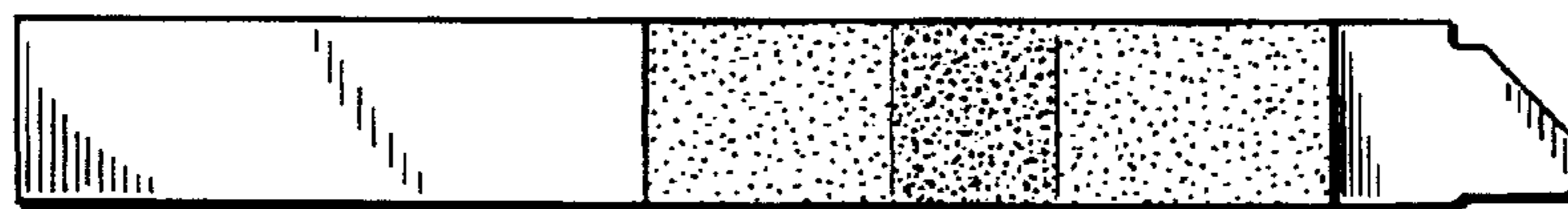


FIG. 5



FIG. 6



FIG. 7

