



US00D383543S

United States Patent [19] Kemp

[11] Patent Number: **Des. 383,543**

[45] Date of Patent: ****Sep. 9, 1997**

[54] **PEDIATRIC EXAMINATION TABLE**

[76] Inventor: **James R. Kemp**, 3710 N. Racine, Chicago, Ill. 60613

[**] Term: **14 Years**

[21] Appl. No.: **57,423**

[22] Filed: **Jul. 24, 1996**

[51] LOC (6) Cl. **24-01**

[52] U.S. Cl. **D24/183**

[58] Field of Search D24/183; 5/600, 5/603, 621, 623; 312/209

[56] **References Cited**

U.S. PATENT DOCUMENTS

| | | | | |
|------------|---------|-----------|-------|---------|
| D. 261,549 | 10/1981 | Patterson | | D24/183 |
| D. 289,921 | 5/1987 | Migliore | | D24/183 |
| D. 324,269 | 2/1992 | Kochsiek | | D24/183 |
| D. 324,732 | 3/1992 | Kochsiek | | D24/183 |
| D. 326,326 | 5/1992 | Kochsiek | | D24/183 |
| 2,258,782 | 10/1941 | McKean | | 5/623 |

OTHER PUBLICATIONS

Advertising sheet for L.E. Phant Tables by Hausmann Industries Inc., 130 Union Street, Northvale, New Jersey 07647 Circa 1995.

Advertising sheet for Tables for Tots by Hausmann Industries Inc., 130 Union Street, Northvale, New Jersey 07647 Circa 1995.

Advertising sheets for Zoo Pals Pediatric Exam Tables by Pediatric Designs, Inc., 2151 Oak Glen Trail, Stillwater, MN 55082 Circa 1990.

Primary Examiner—Stella Reid
Attorney, Agent, or Firm—Bruce J. Bowman

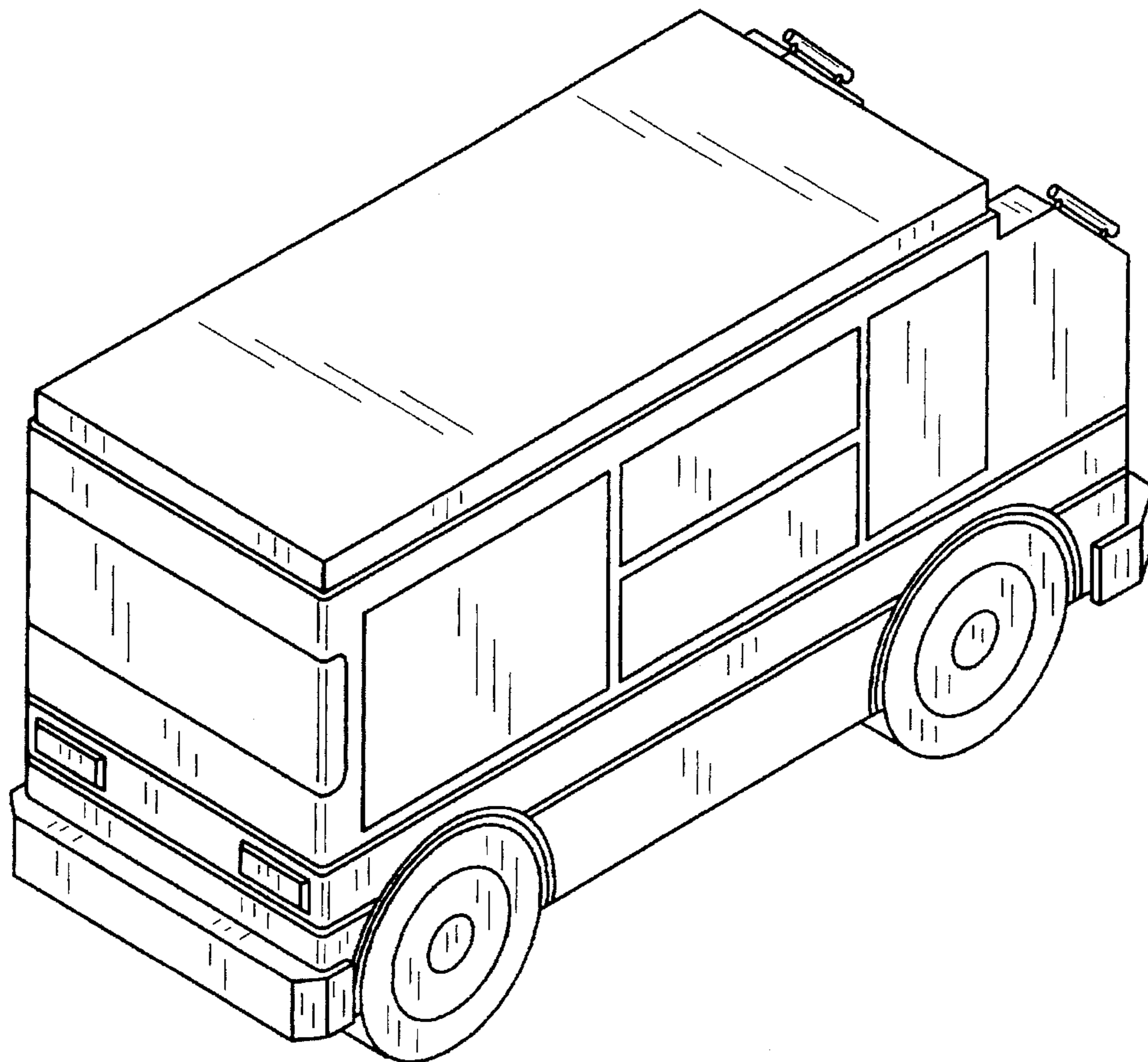
[57] **CLAIM**

The ornamental design of a pediatric examination table, as shown and described.

DESCRIPTION

FIG. 1 is an isometric view of the pediatric table showing my new design;
FIG. 2 is a right elevation view thereof;
FIG. 3 is a left elevation view thereof;
FIG. 4 is a top plan view thereof;
FIG. 5 is a bottom plan view thereof;
FIG. 6 is a front elevation view thereof; and,
FIG. 7 is a rear elevation view thereof.

1 Claim, 3 Drawing Sheets



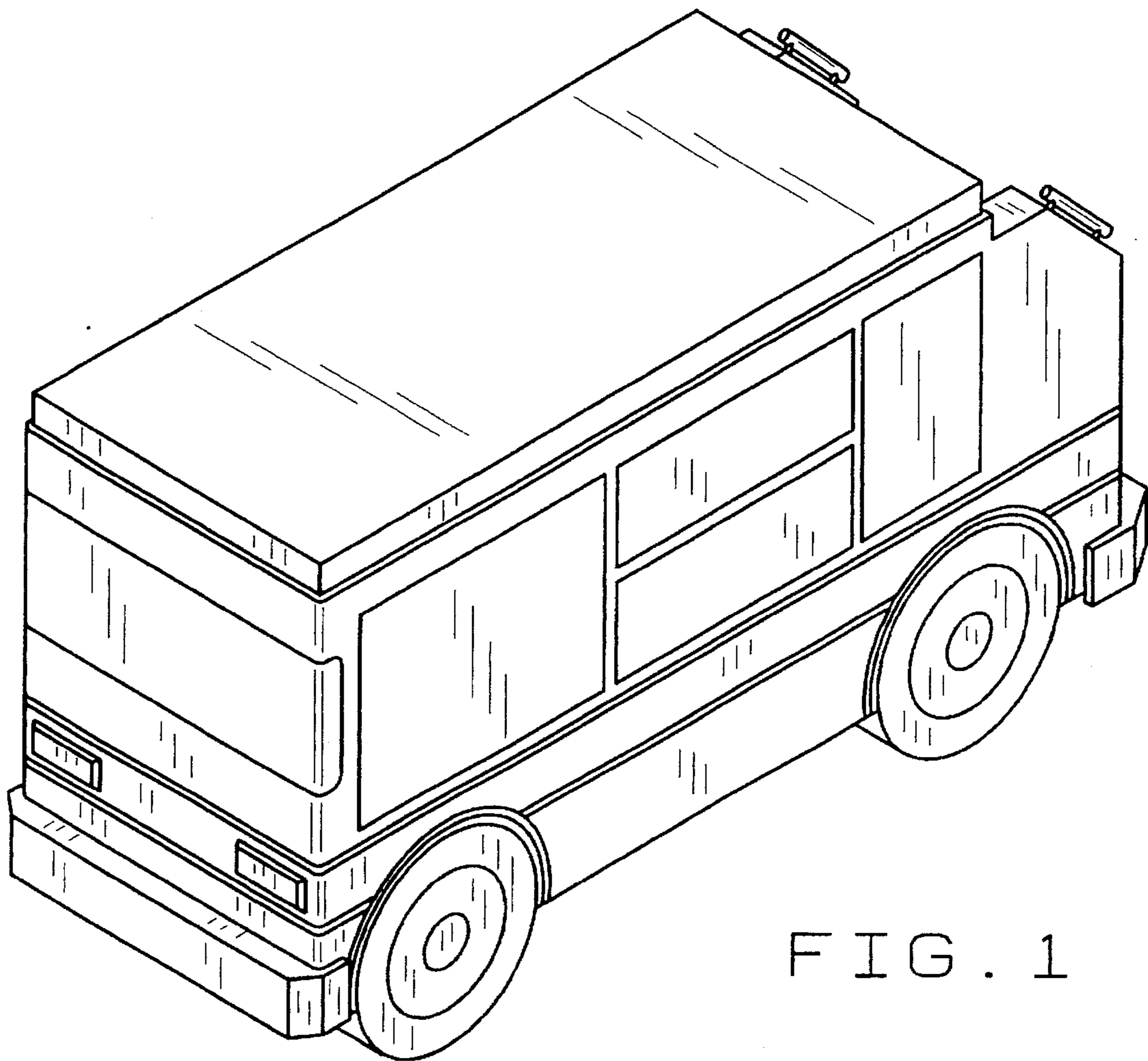


FIG. 1

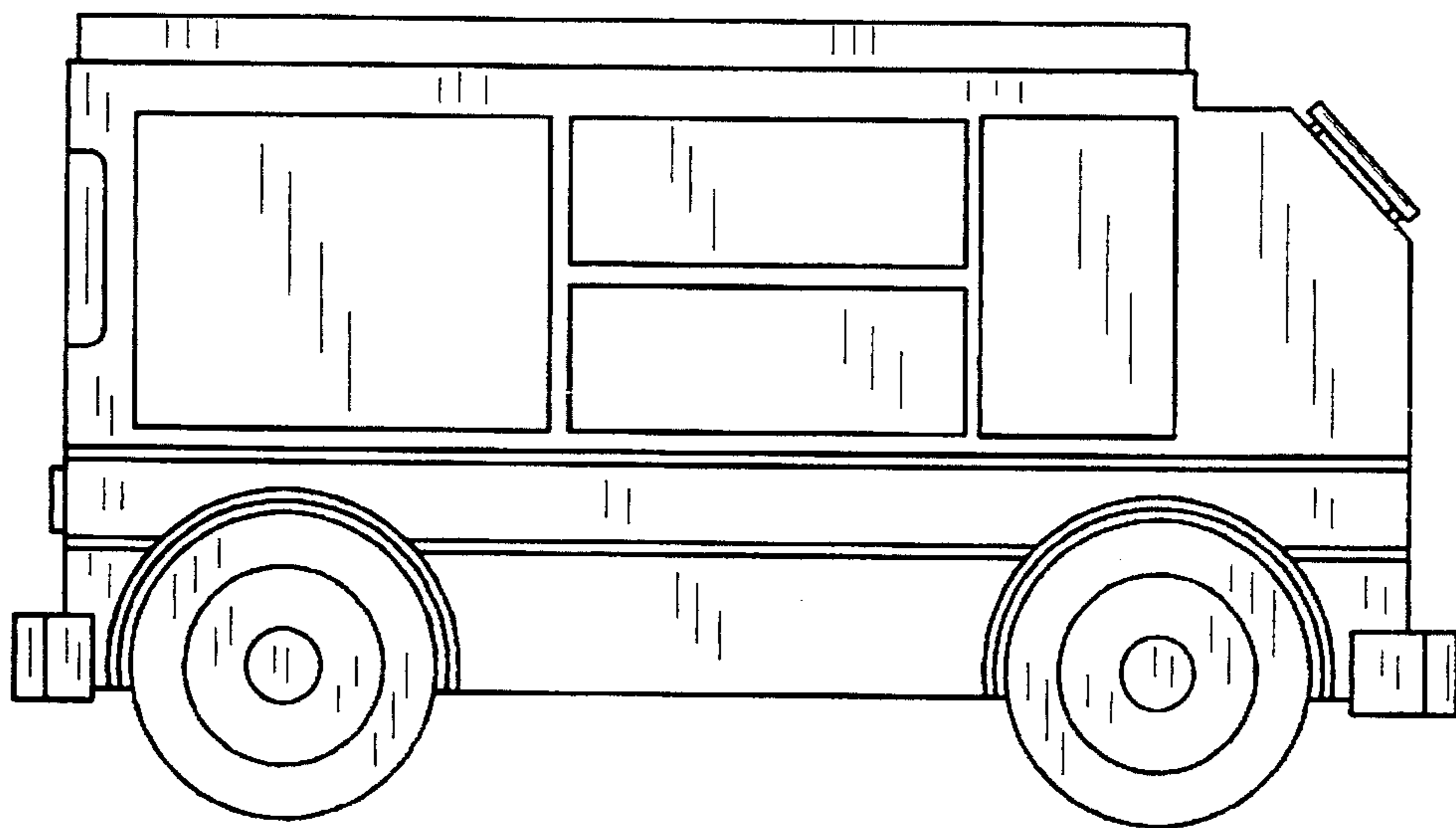


FIG. 2

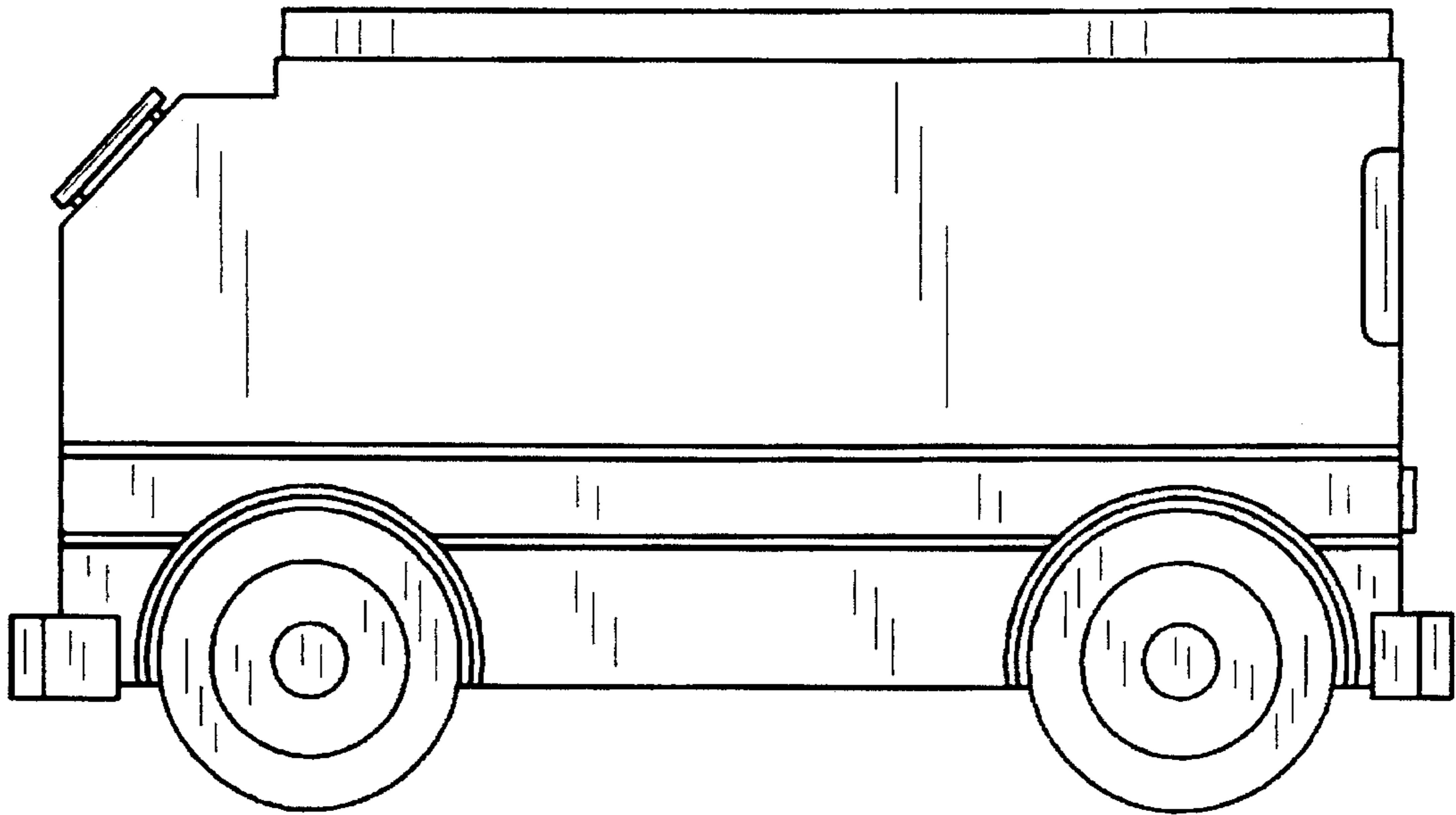


FIG. 3

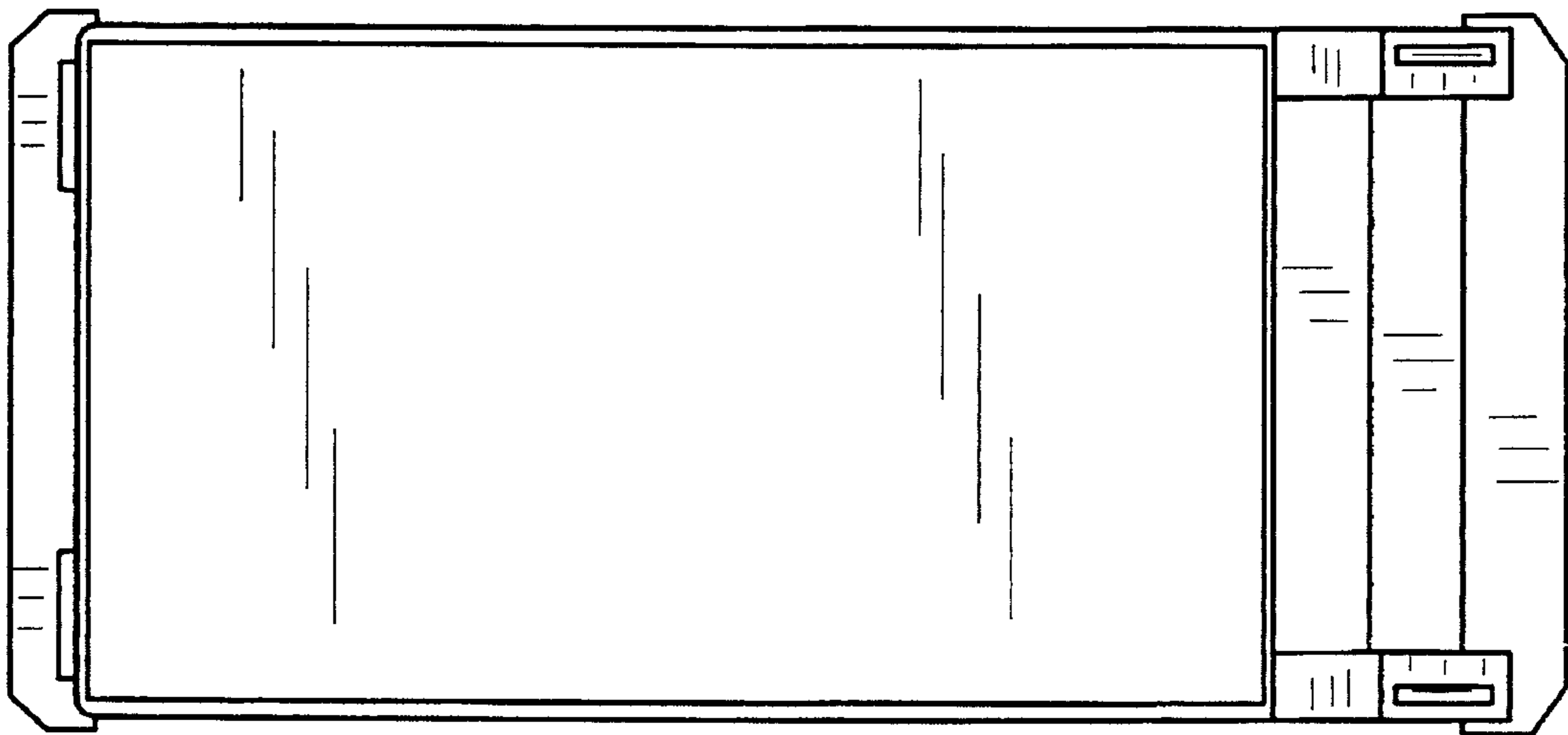


FIG. 4

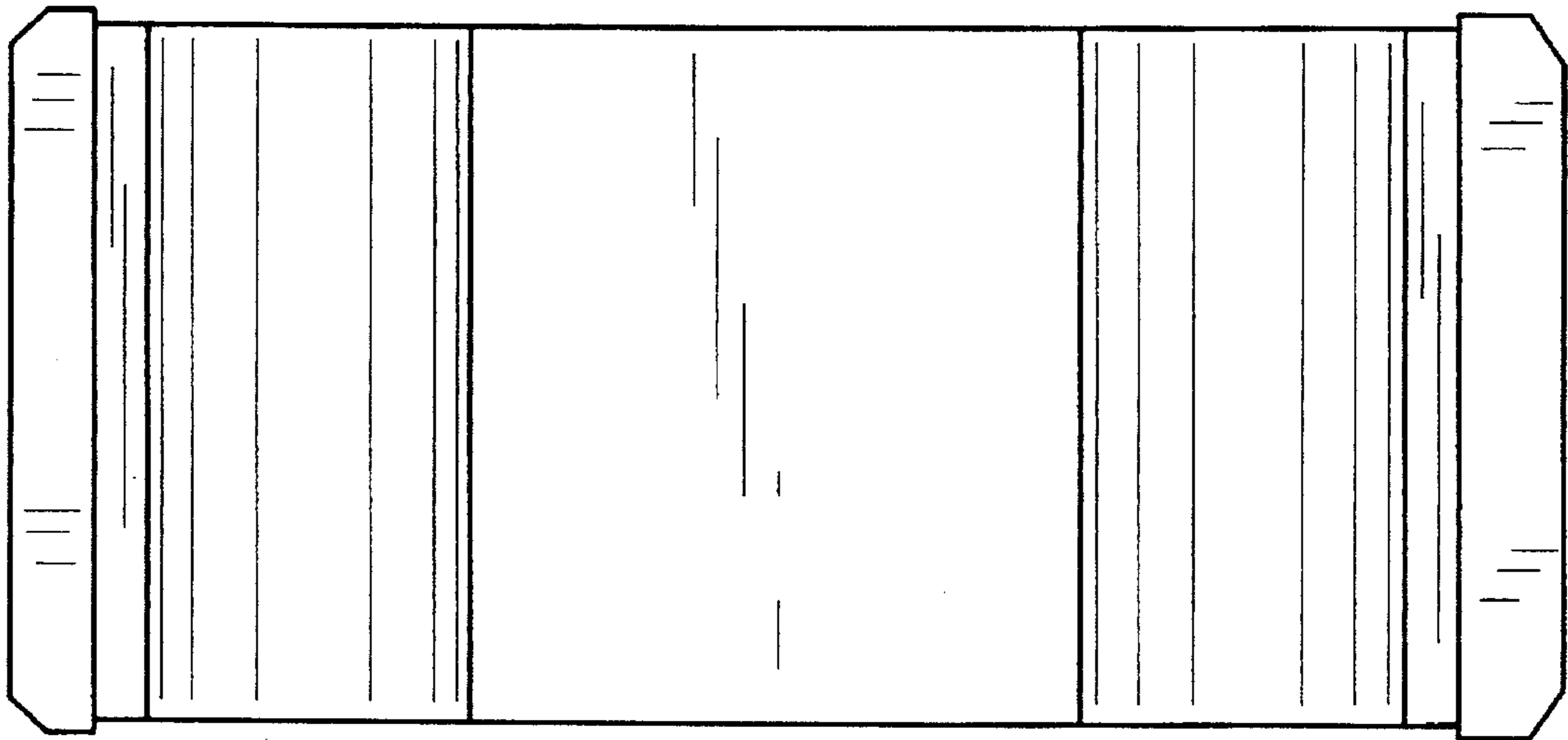


FIG. 5

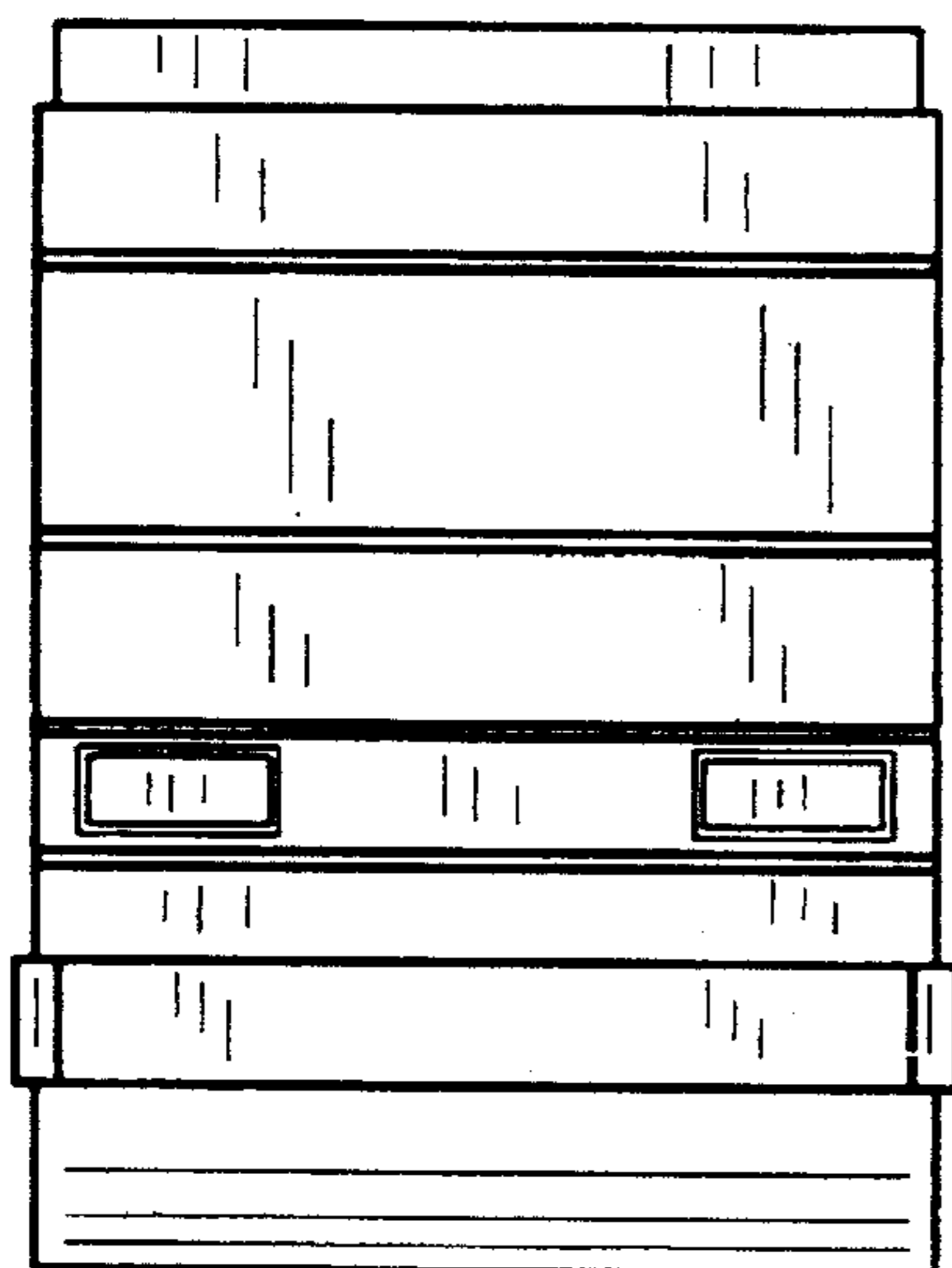


FIG. 6

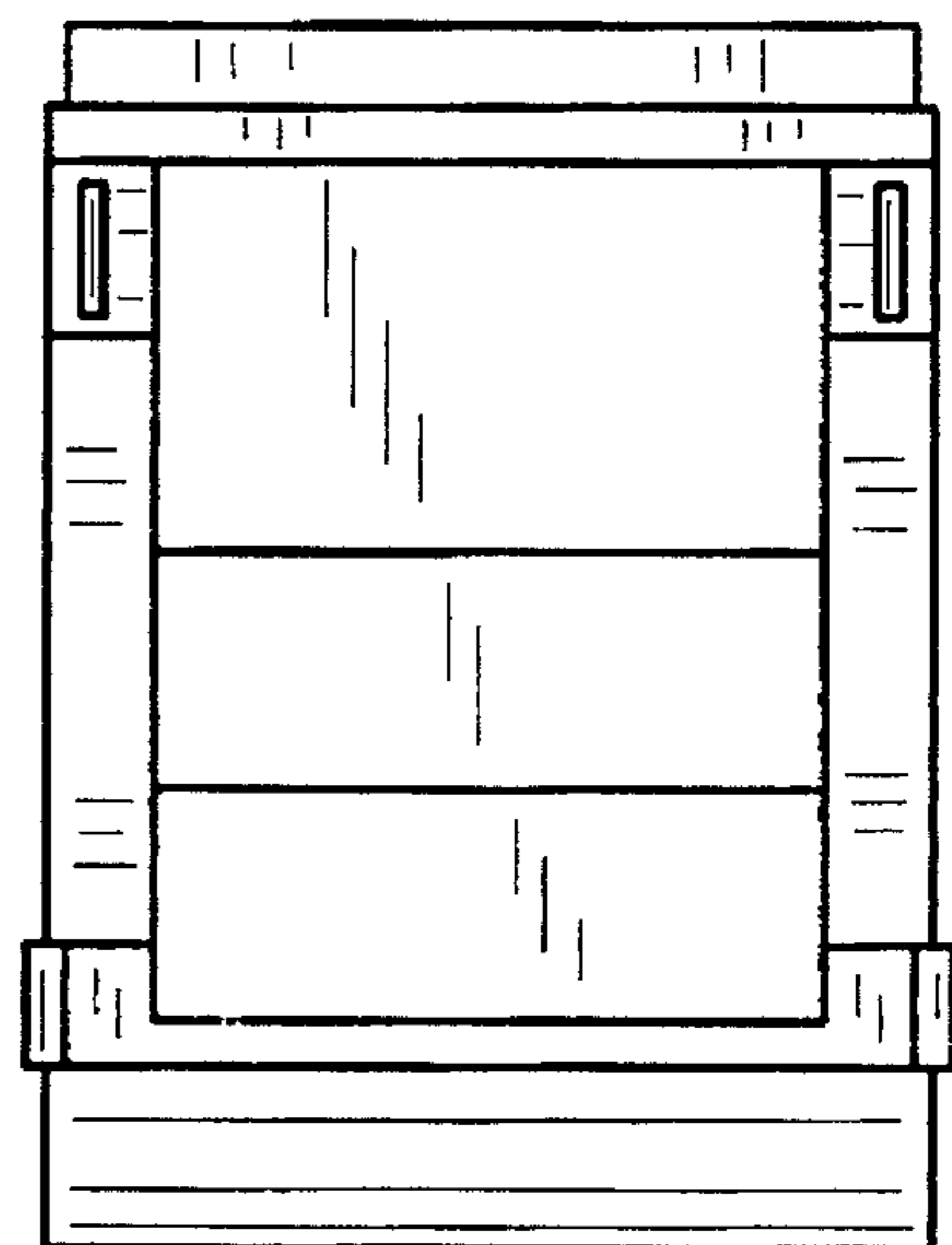


FIG. 7