



US00D383538S

United States Patent [19]

Erskine et al.

[11] Patent Number: **Des. 383,538**

[45] Date of Patent: *****Sep. 9, 1997**

[54] **CATHETER COVER**

[75] Inventors: **Timothy J. Erskine; Glade H. Howell,**
both of Sandy, Utah

[73] Assignee: **Becton Dickinson and Company,**
Franklin Lakes, N.J.

[*] Notice: The portion of the term of this patent
subsequent to Jul. 22, 2011, has been
disclaimed.

[**] Term: **14 Years**

[21] Appl. No.: **47,559**

[22] Filed: **Dec. 7, 1995**

[51] LOC (6) Cl. **24-02**

[52] U.S. Cl. **D24/130**

[58] Field of Search D24/130, 112,
D24/146; 604/263, 192, 193, 166, 167,
168, 198, 158

[56] **References Cited**

U.S. PATENT DOCUMENTS

D. 322,671 12/1991 Szwarc D24/130

D. 327,327 6/1992 Deguch et al. D24/130
D. 332,308 1/1993 Imbert et al. D24/130
3,344,787 10/1967 Maclean D24/130 X

Primary Examiner—Louis S. Zarfaz
Assistant Examiner—I. Simmons
Attorney, Agent, or Firm—Eric M. Lee, Esq.

[57] **CLAIM**

The ornamental design for a catheter cover, as shown and described.

DESCRIPTION

FIG. 1 is a perspective view of a catheter cover showing our new design;
FIG. 2 is a front end elevational view thereof;
FIG. 3 is a rear end elevational view thereof;
FIG. 4 is a top plan view thereof;
FIG. 5 is a side elevational view thereof;
FIG. 6 is a bottom plan view thereof; and,
FIG. 7 is a perspective view thereof showing its relationship to a catheter introducer needle assembly, which is in broken lines and forms no part of the claimed invention.

1 Claim, 3 Drawing Sheets

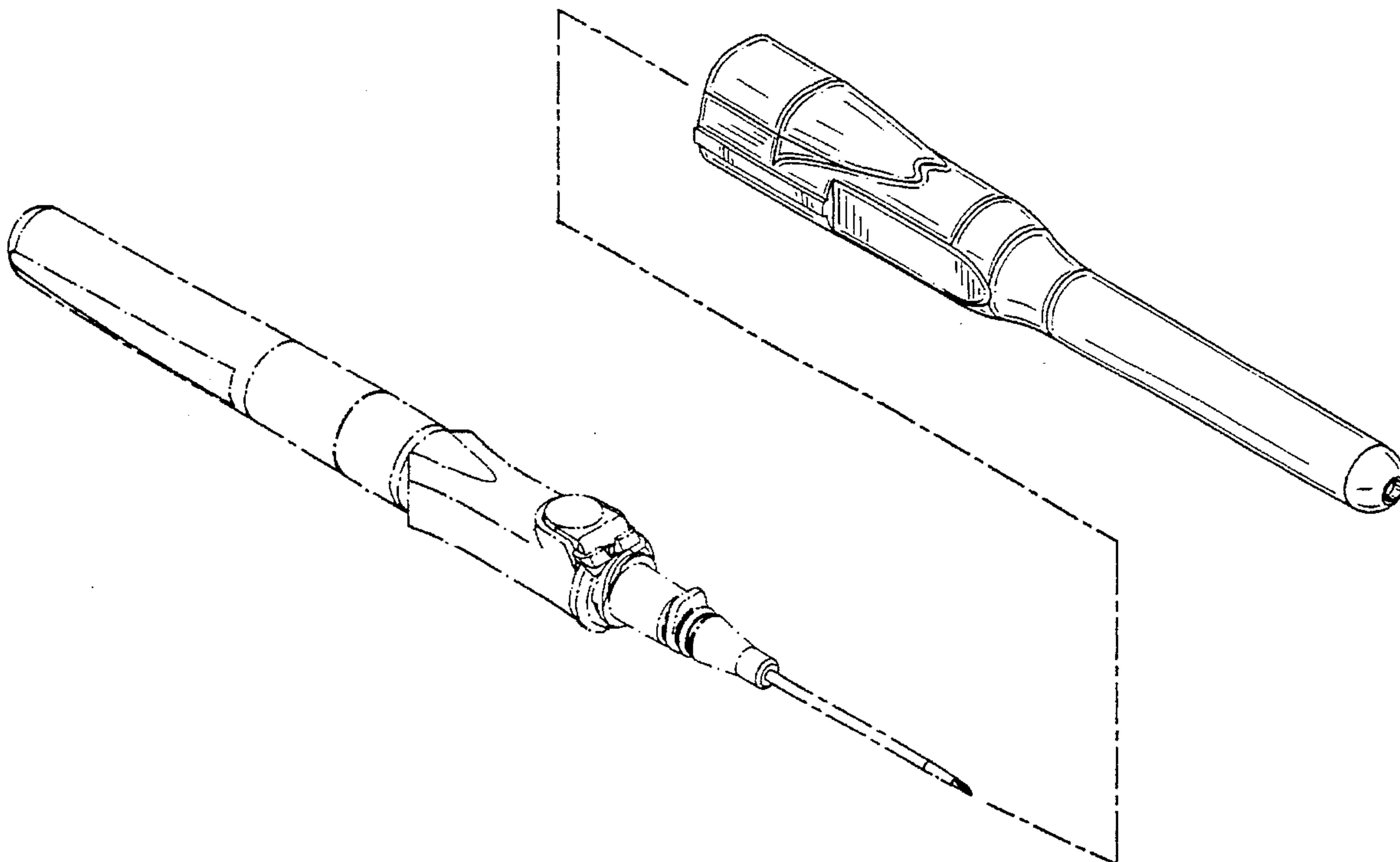


FIG-1

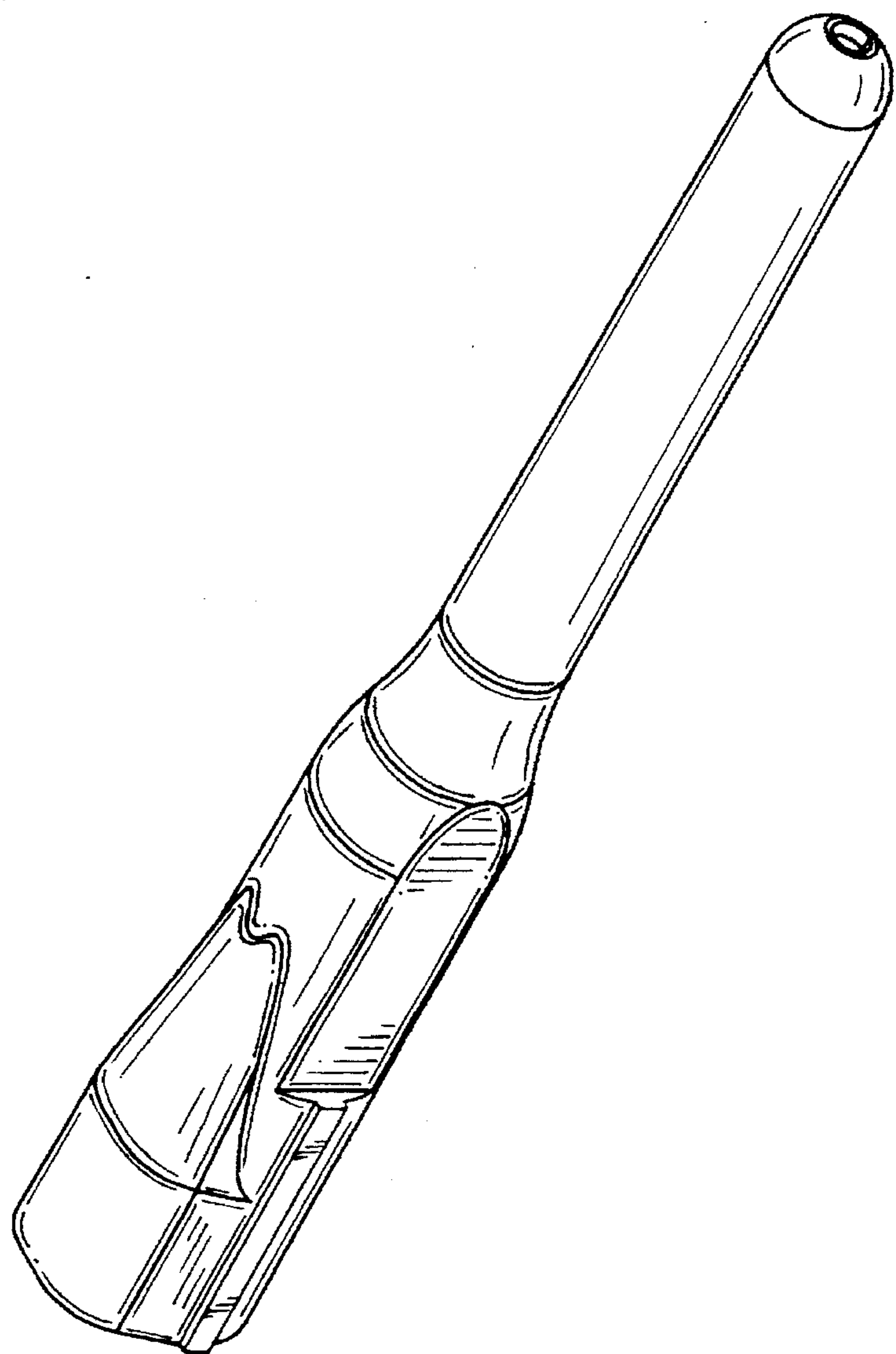


FIG-3

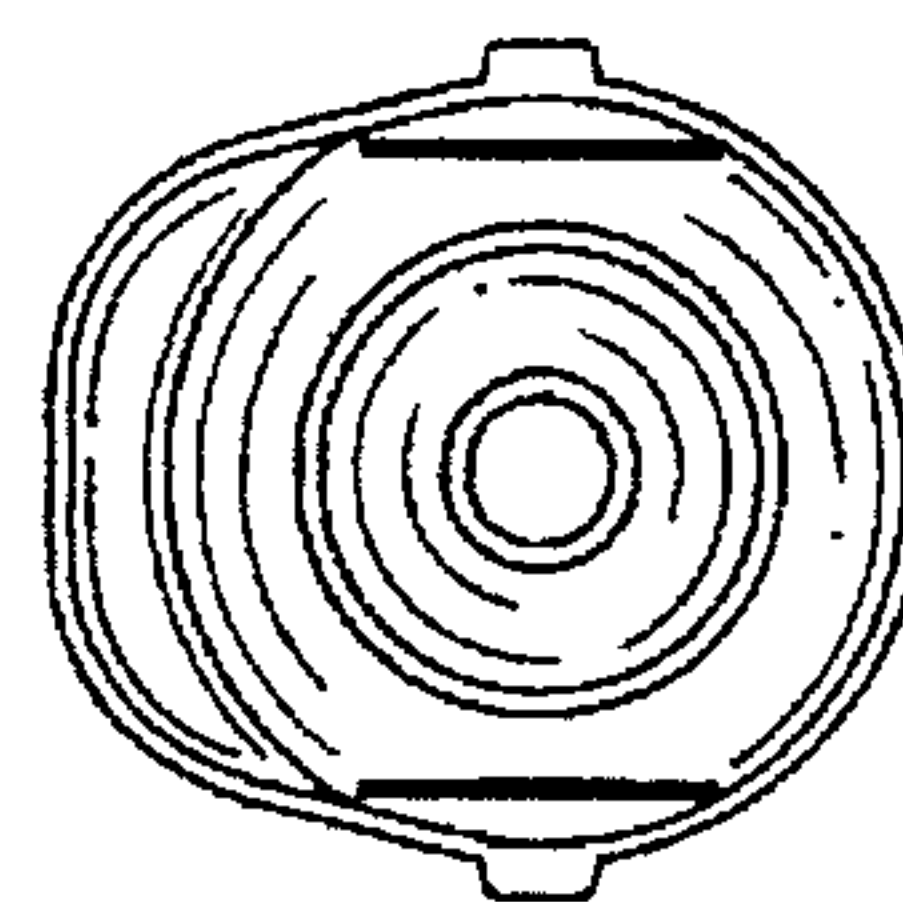
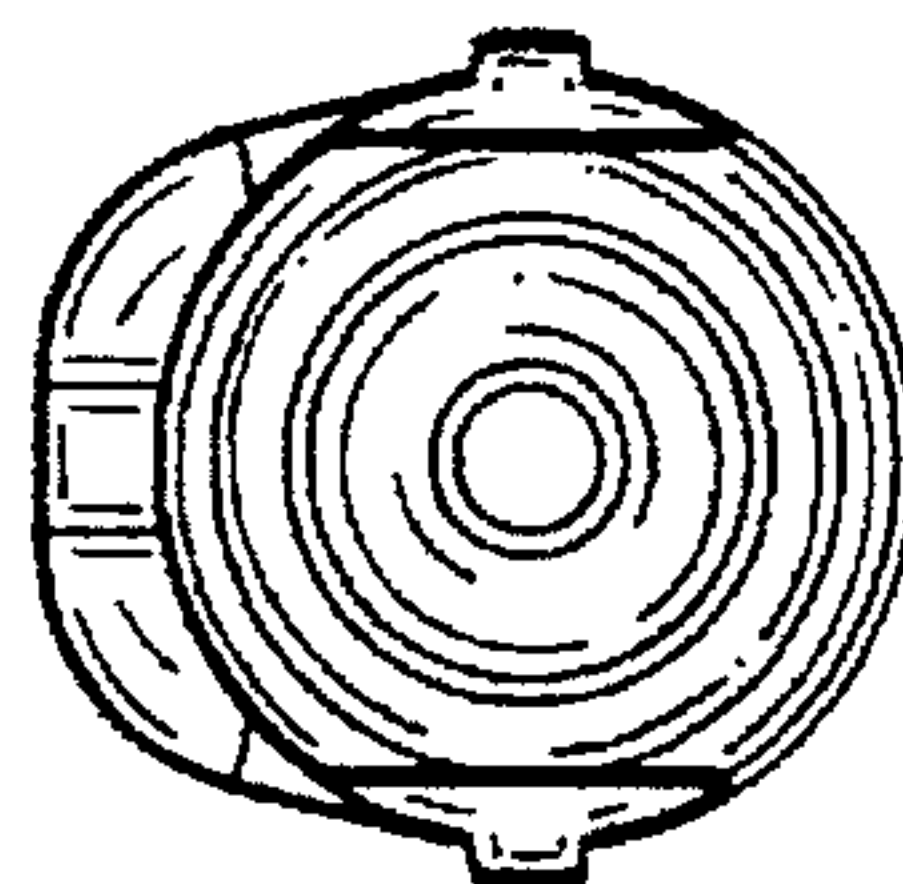


FIG-2



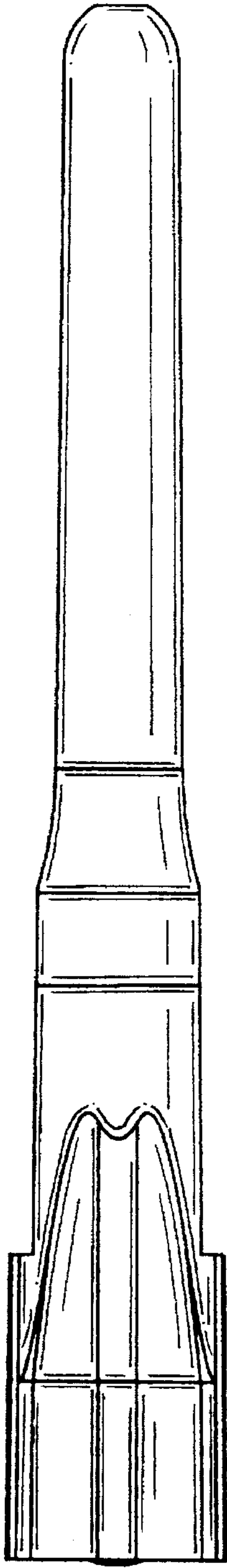


FIG-4

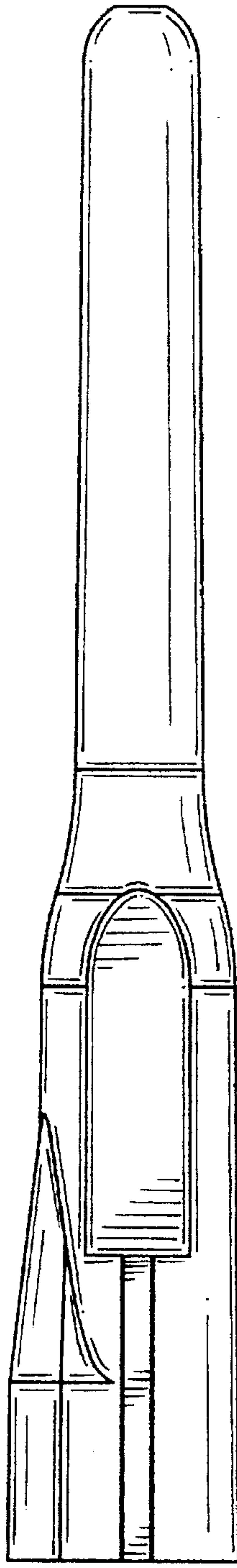


FIG-5

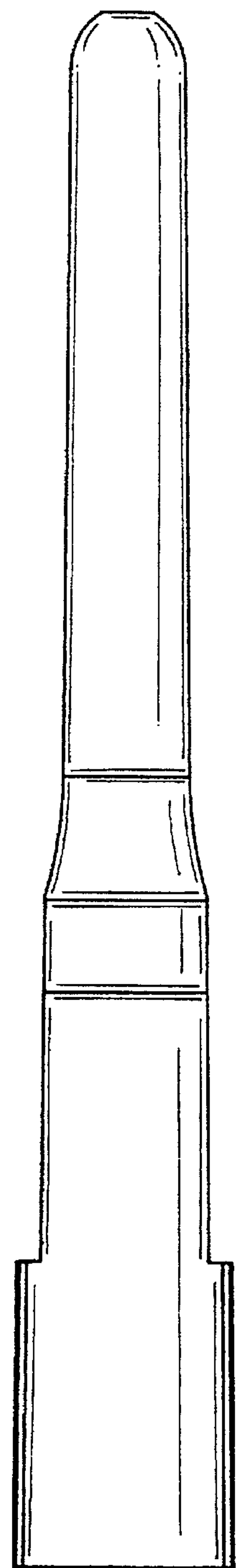


FIG-6

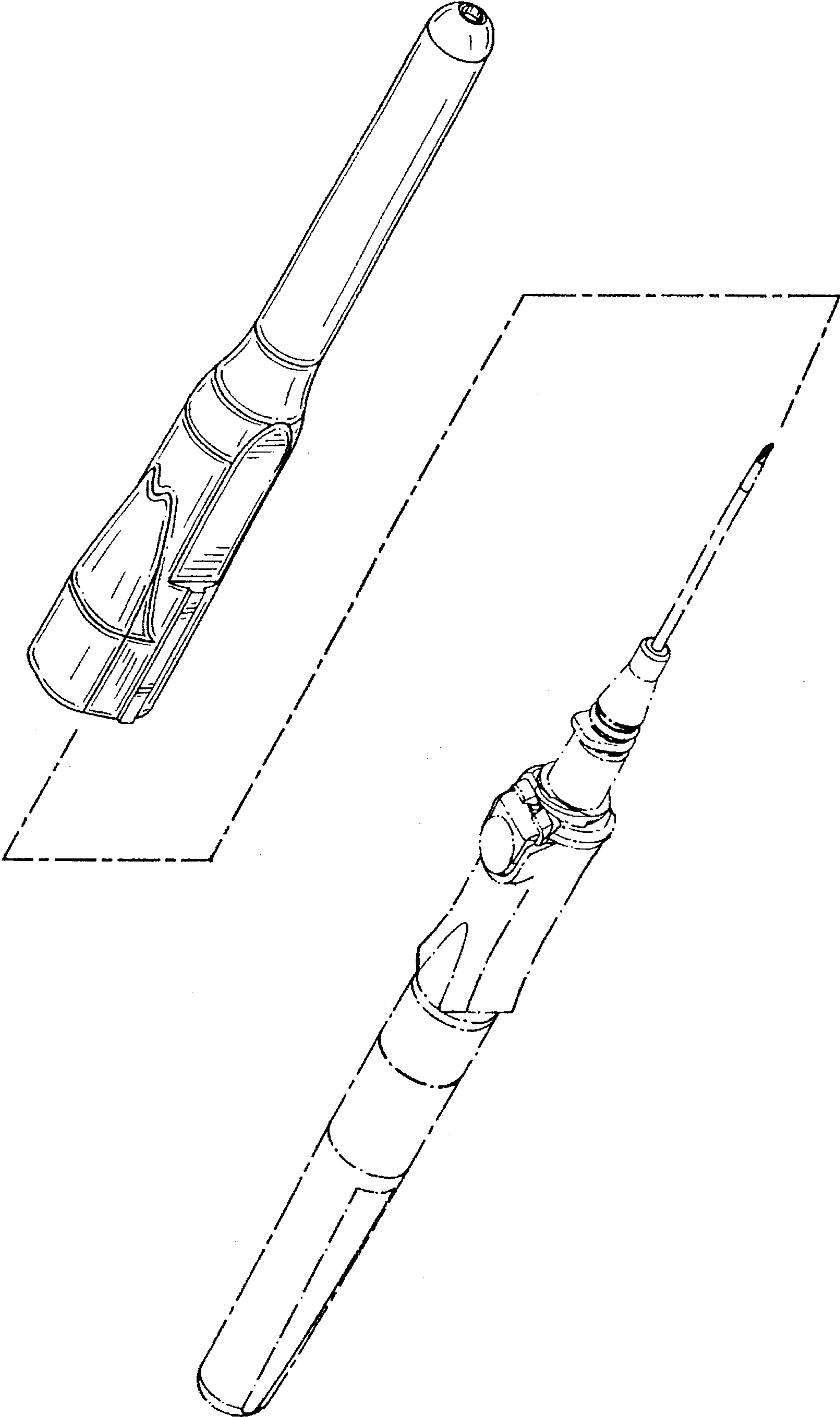


FIG-7