



US00D383533S

United States Patent [19]

Jushchyshyn et al.

[11] Patent Number: **Des. 383,533**

[45] Date of Patent: ****Sep. 9, 1997**

[54] PHARMACEUTICAL TABLET

[75] Inventors: **John Michael Jushchyshyn,**
Lansdowne; **Ricky Holland,**
Norristown, both of Pa.

[73] Assignee: **SmithKline Beecham Corporation,**
King of Prussia, Pa.

[**] Term: **14 Years**

[21] Appl. No.: **51,524**

[22] Filed: **Mar. 12, 1996**

[51] LOC (6) Cl. **28-01**

[52] U.S. Cl. **D24/103**

[58] Field of Search D24/100-104;
424/451, 457, 464, 468, 469, 470, 472,
474; D28/8.1, 8.2; D1/100, 106, 115, 121,
127, 128, 130, 199

- D. 269,723 7/1983 Tovey .
- D. 283,739 5/1986 Tovey .
- D. 283,931 5/1986 Baum .
- D. 285,259 8/1986 Tovey .
- D. 285,363 8/1986 Tovey .
- D. 285,364 8/1986 Tovey .
- D. 285,490 9/1986 Tovey .
- D. 285,491 9/1986 Tovey .
- D. 285,492 9/1986 Tovey .
- D. 285,493 9/1986 Tovey .
- D. 285,494 9/1986 Tovey .
- D. 285,729 9/1986 Tovey .
- D. 286,085 10/1986 Tovey .
- D. 286,086 10/1986 Tovey .
- D. 286,449 10/1986 Tovey .
- D. 286,450 10/1986 Tovey .
- D. 372,082 7/1996 Sauer D24/103
- 4,493,822 1/1985 Tovey .

Primary Examiner—Kay H. Chin
Attorney, Agent, or Firm—Mary E. McCarthy; Stephen Venetianer; Edward T. Lentz

[56] References Cited

U.S. PATENT DOCUMENTS

- D. 269,711 7/1983 Tovey .
- D. 269,712 7/1983 Tovey .
- D. 269,713 7/1983 Tovey .
- D. 269,714 7/1983 Tovey .
- D. 269,715 7/1983 Tovey .
- D. 269,716 7/1983 Tovey .
- D. 269,717 7/1983 Tovey .
- D. 269,718 7/1983 Tovey .
- D. 269,719 7/1983 Tovey .
- D. 269,720 7/1983 Tovey .
- D. 269,721 7/1983 Tovey .
- D. 269,722 7/1983 Tovey .

[57] CLAIM

The ornamental design for a pharmaceutical tablet, as shown and described.

DESCRIPTION

FIG. 1 is a top, front perspective view of a pharmaceutical tablet showing our new design;
FIG. 2 is a side elevational view thereof;
FIG. 3 is a top plan view thereof;
FIG. 4 is an end elevational view thereof, the opposite end being a mirror image; and,
FIG. 5 is a bottom plan view thereof.

1 Claim, 1 Drawing Sheet

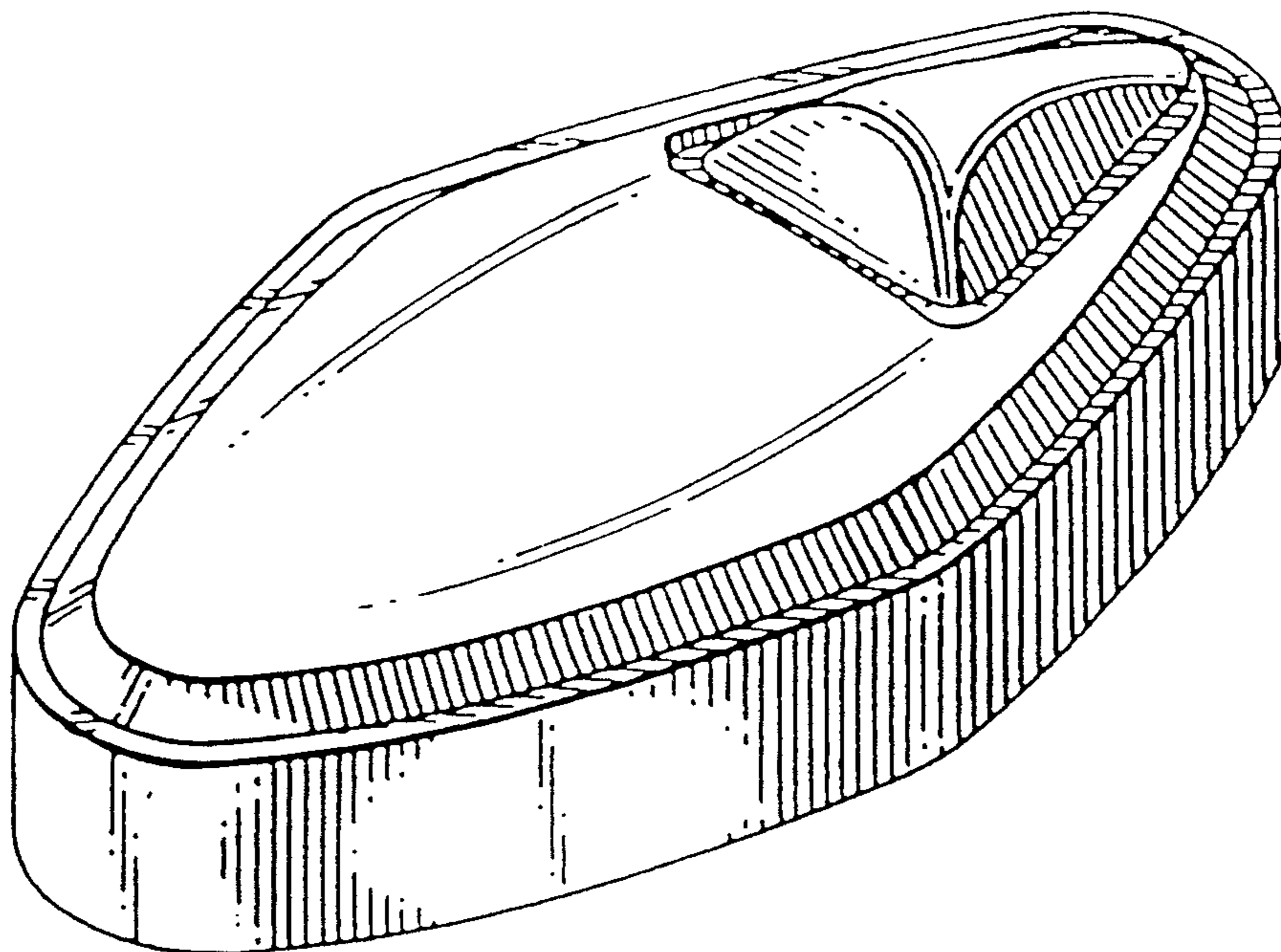


Fig. 1.

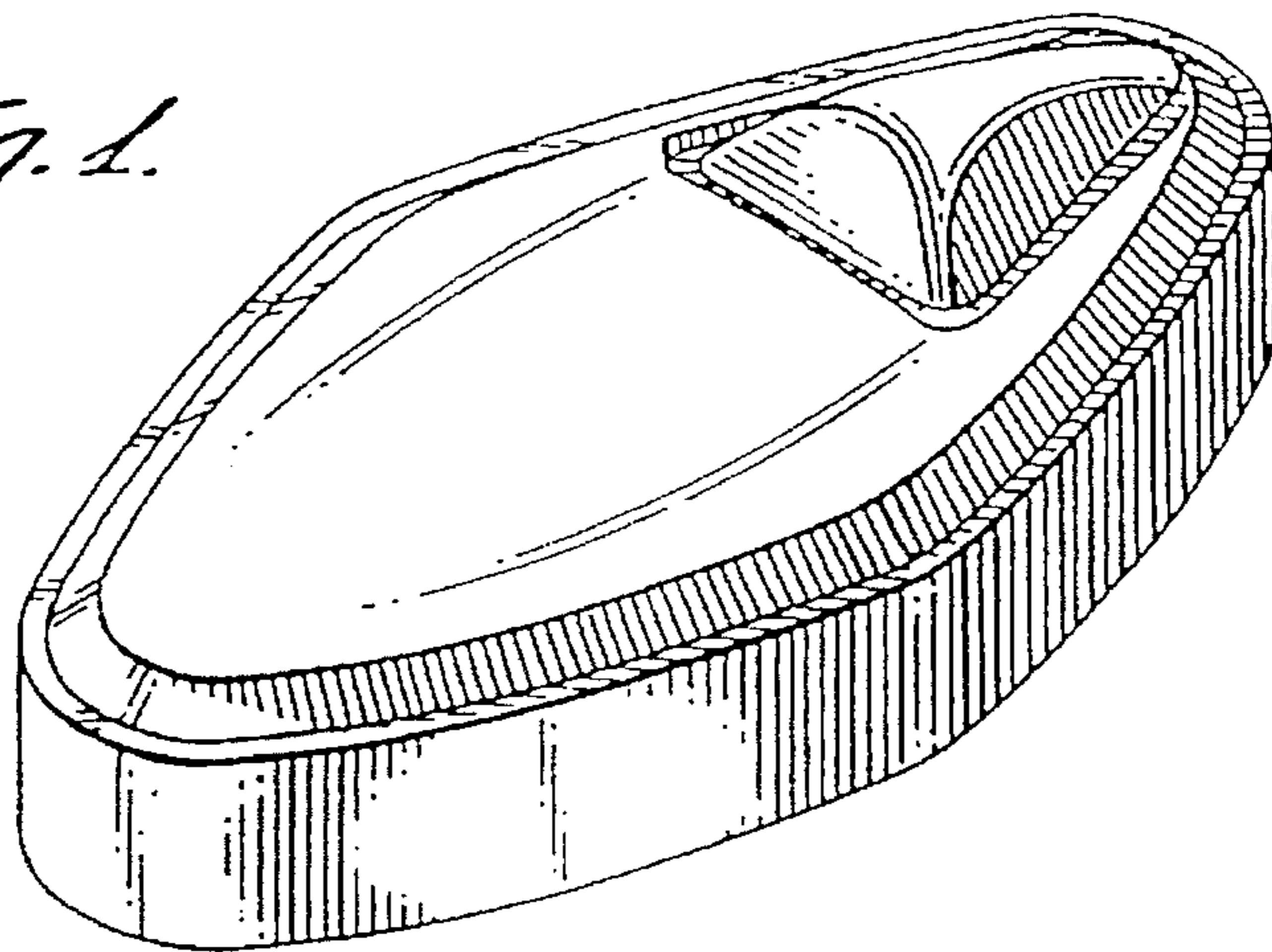


Fig. 3.

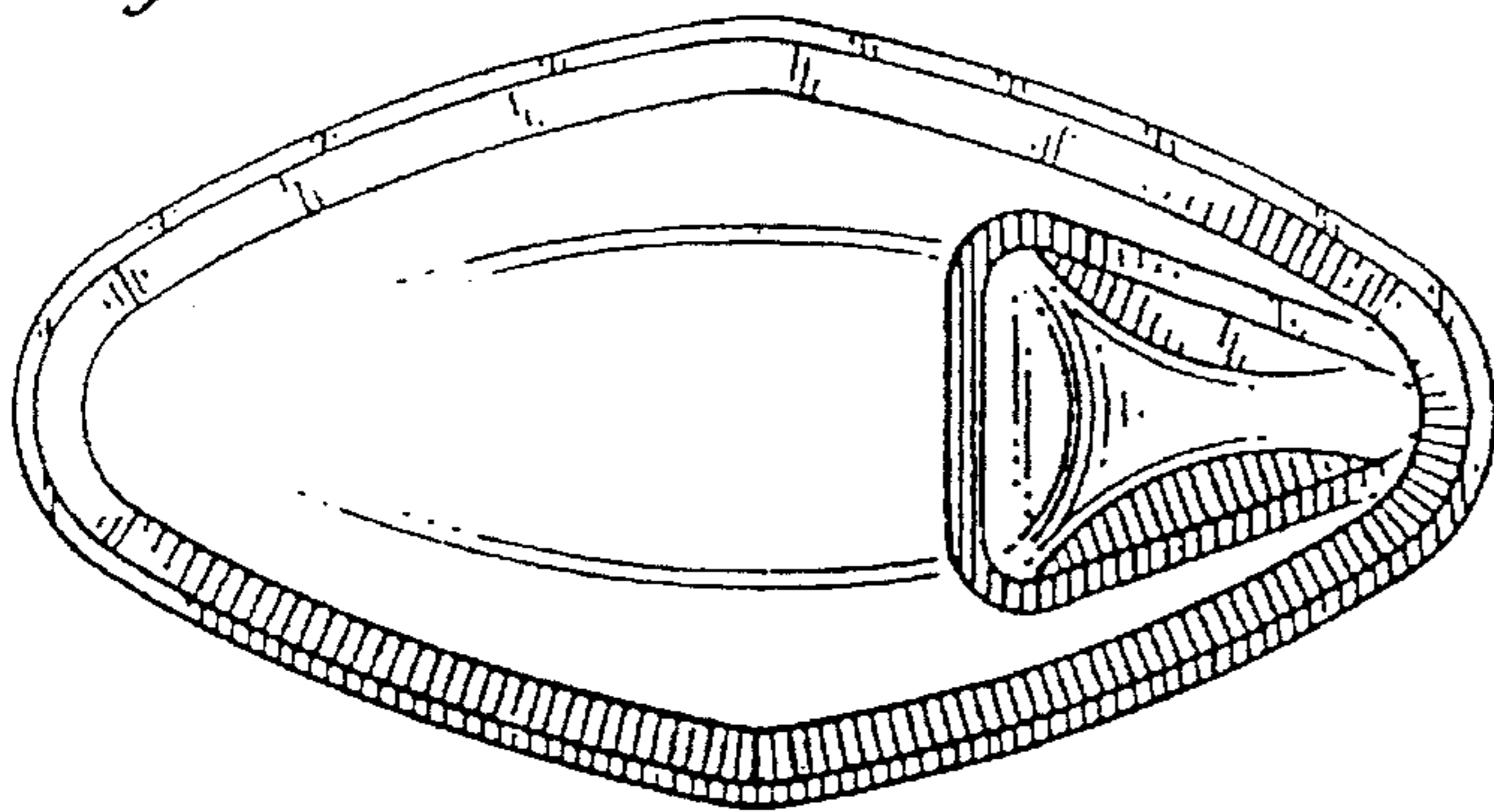


Fig. 2.

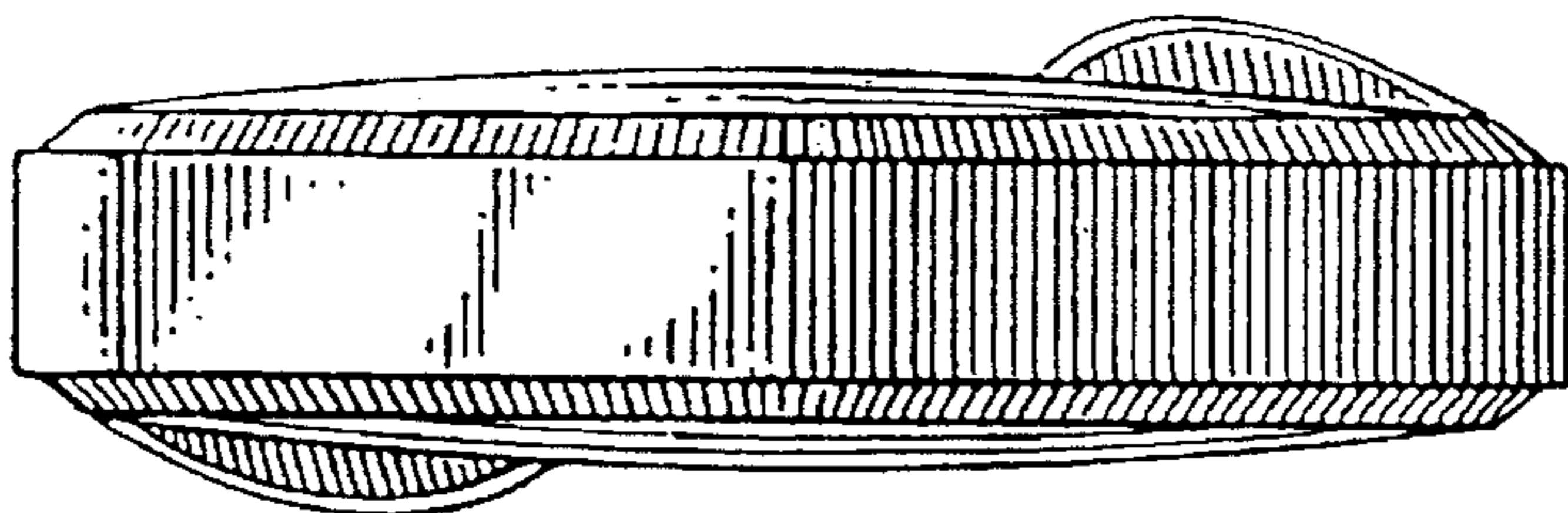


Fig. 4.

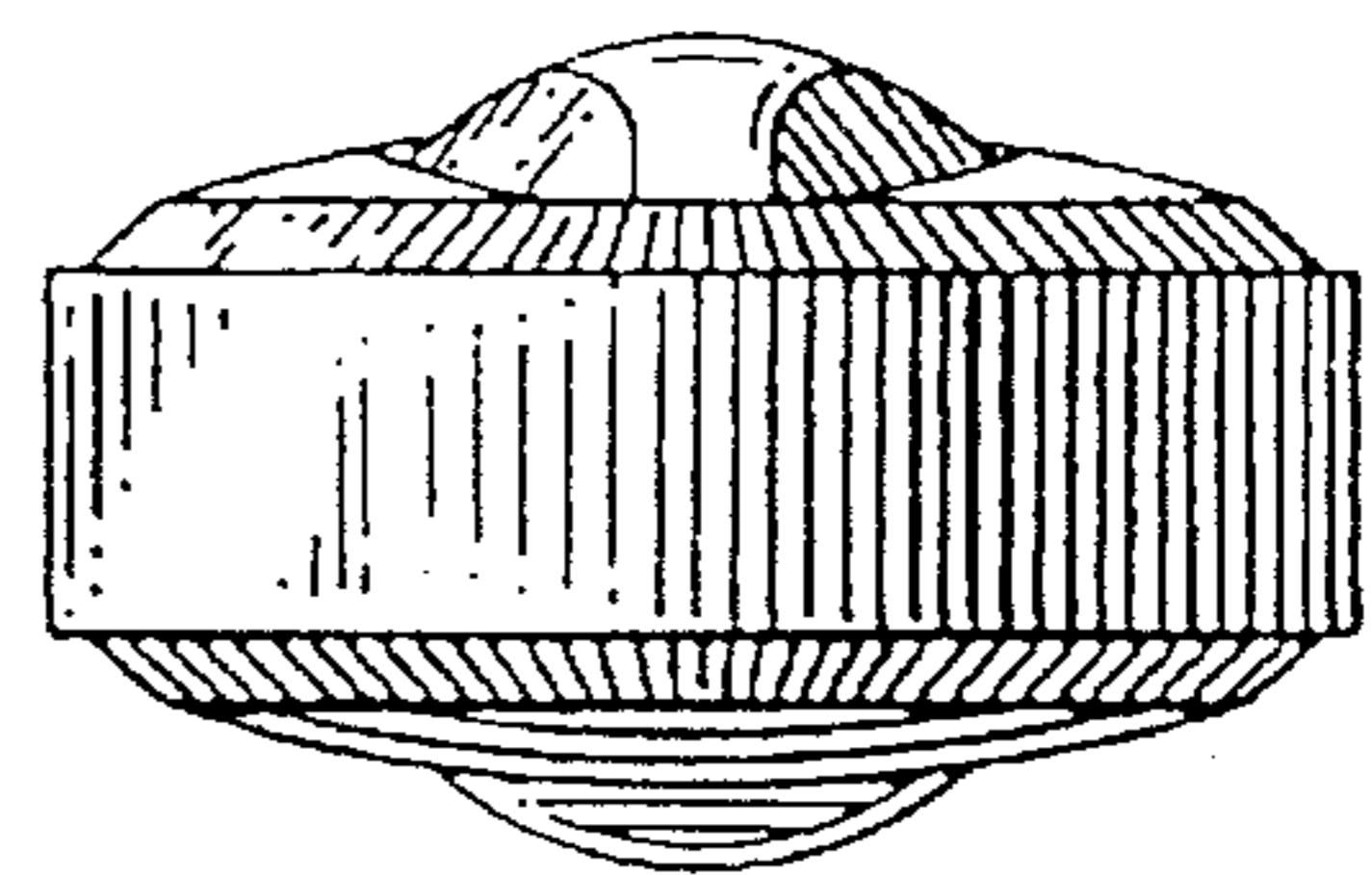


Fig. 5.

