

US00D383531S

**United States Patent** [19]  
**Tsuji**

[11] **Patent Number: Des. 383,531**  
[45] **Date of Patent: \*\*Sep. 9, 1997**

[54] **COMBINED CEILING FAN, MOUNTING CANOPY, MOTOR HOUSING, BLADE IRONS AND LIGHT KIT UNIT**

*Attorney, Agent, or Firm*—Baker, Donelson, Bearman & Caldwell

[75] **Inventor: Masao Tsuji, Germantown, Tenn.**

[57] **CLAIM**

[73] **Assignee: Hunter Fan Company, Memphis, Tenn.**

The ornamental design for a combined ceiling fan, mounting canopy, motor housing, blade irons and light kit unit.

[\*\*] **Term: 14 Years**

**DESCRIPTION**

[21] **Appl. No.: 50,124**

FIG. 1 is a perspective view of a combined ceiling fan mounting canopy, motor housing, blade irons, and light kit unit showing my new design in full lines with the broken line showing of environmental association matter being for illustrative purposes only and forming no part of the claimed design;

[22] **Filed: Feb. 8, 1996**

[51] **LOC (6) Cl. .... 23-04**

[52] **U.S. Cl. .... D23/411; D23/377; D23/379; D23/385; D26/72**

FIG. 2 is a front elevational view of the design shown in FIG. 1;

[58] **Field of Search .... D23/377, 379, D23/385, 411; D26/81-86, 72, 59, 51, 88; 416/5; 392/364; 362/96**

FIG. 3 is a rear elevational view of the design shown in FIG. 1;

[56] **References Cited**

**U.S. PATENT DOCUMENTS**

- D. 346,209 4/1994 Holbrook ..... D23/411
- D. 347,056 5/1994 Bucher et al. .... D23/411
- D. 363,346 10/1995 Wang ..... D26/86

FIG. 4 is a right side elevational view of the design shown in FIG. 1;

**OTHER PUBLICATIONS**

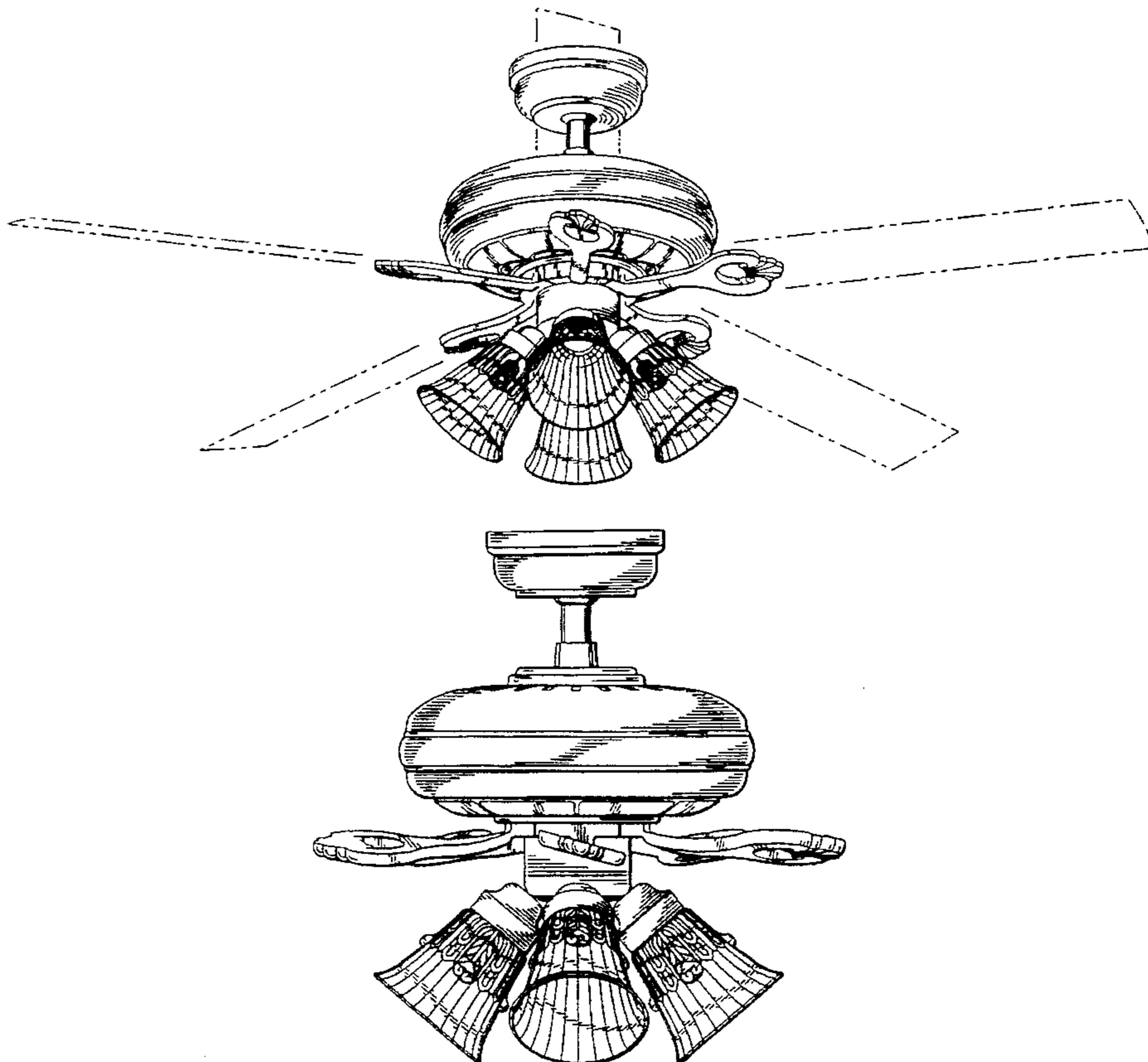
Casablanca Fan Co. Adv. Brochure p. 36, Glass Shade G13, upper right side of page.

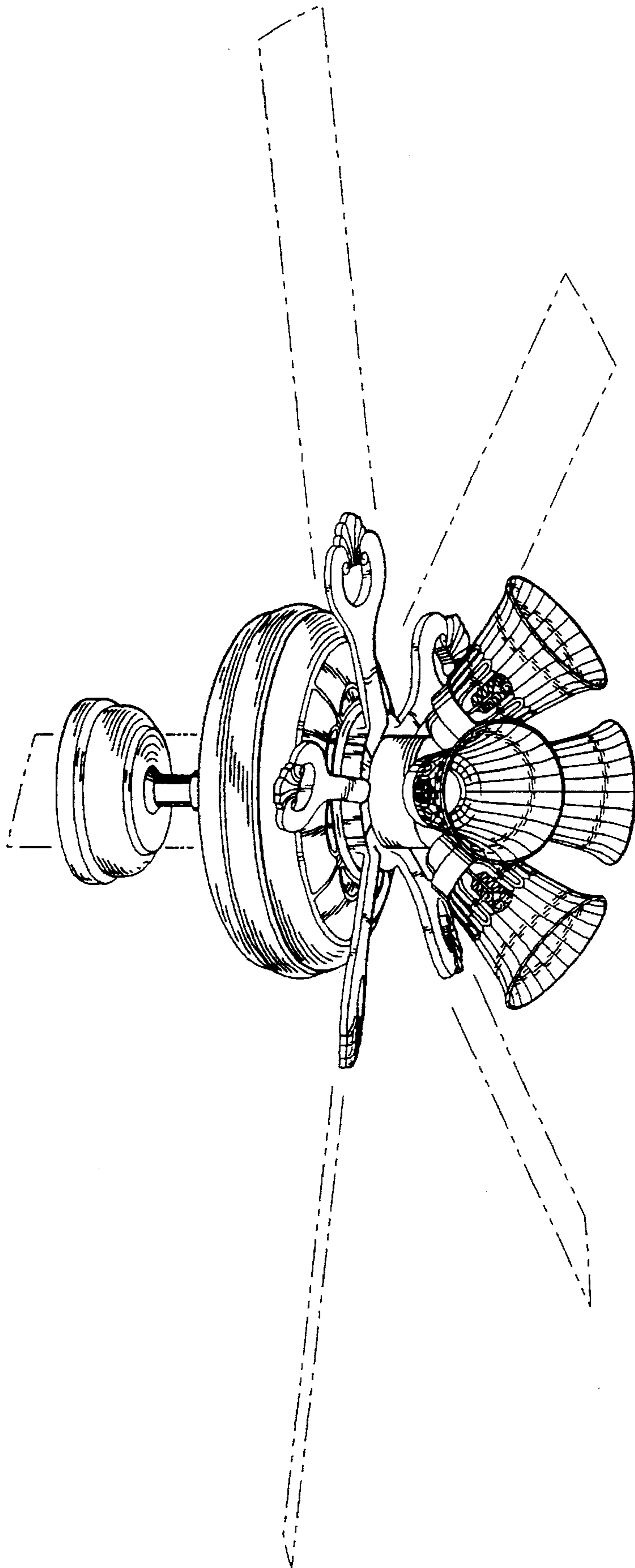
FIG. 5 is a left side elevational view of the design shown in FIG. 1;

FIG. 6 is a top plan view of the design shown in FIG. 1; and, FIG. 7 is a bottom plan view of the design shown in FIG. 1.

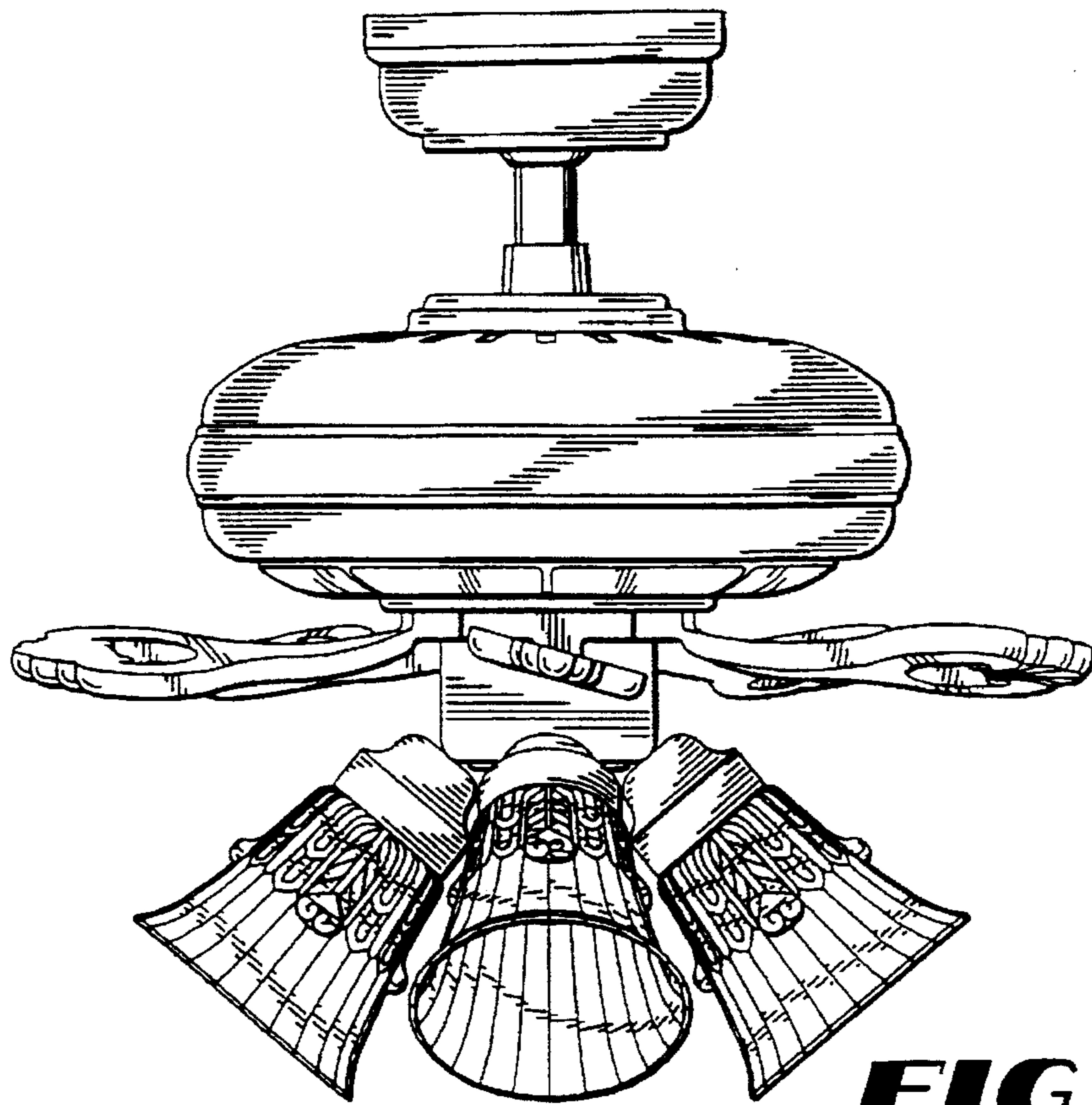
*Primary Examiner*—Lisa Lichtenstein

**1 Claim, 4 Drawing Sheets**

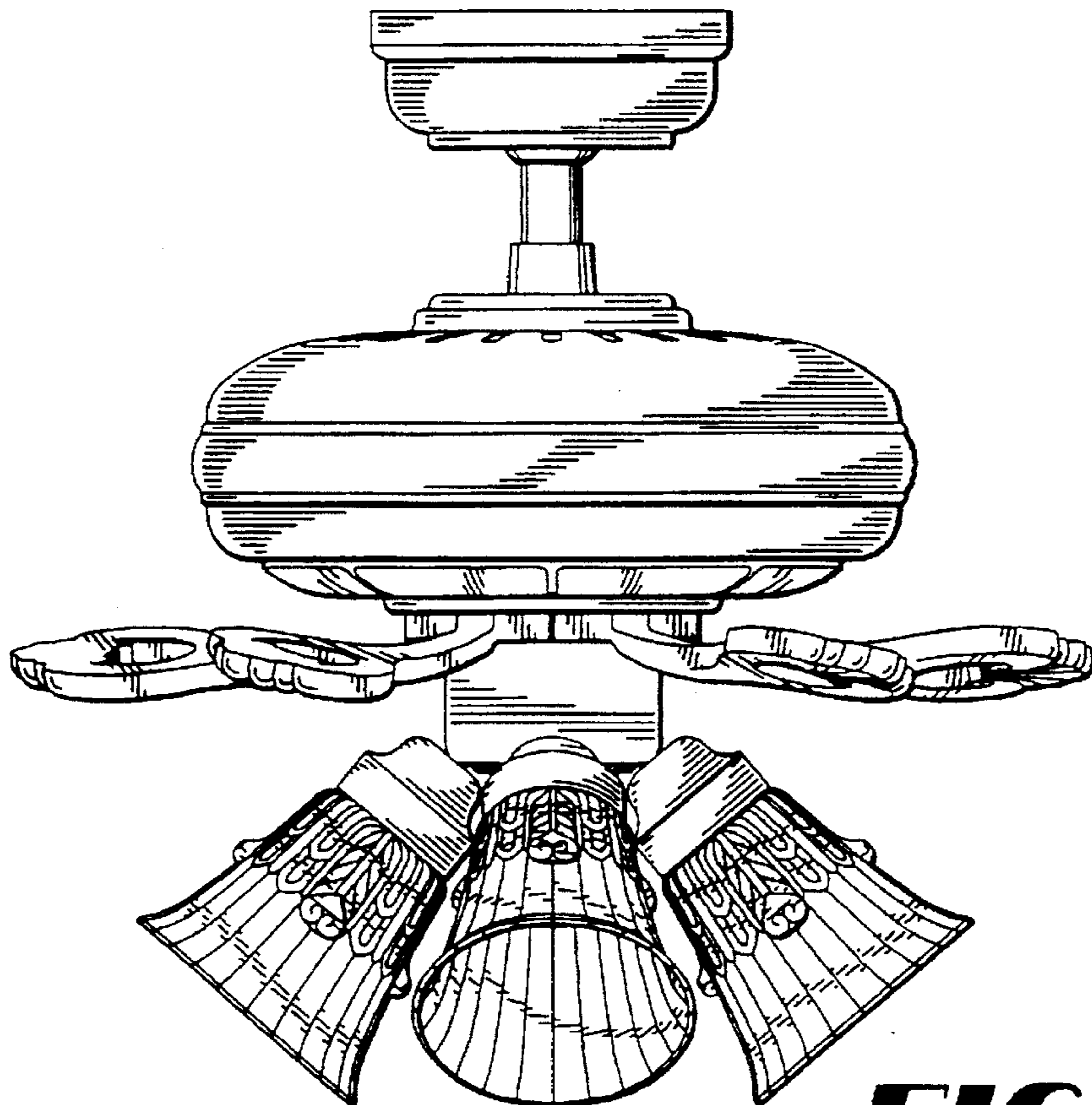




**FIG 1**

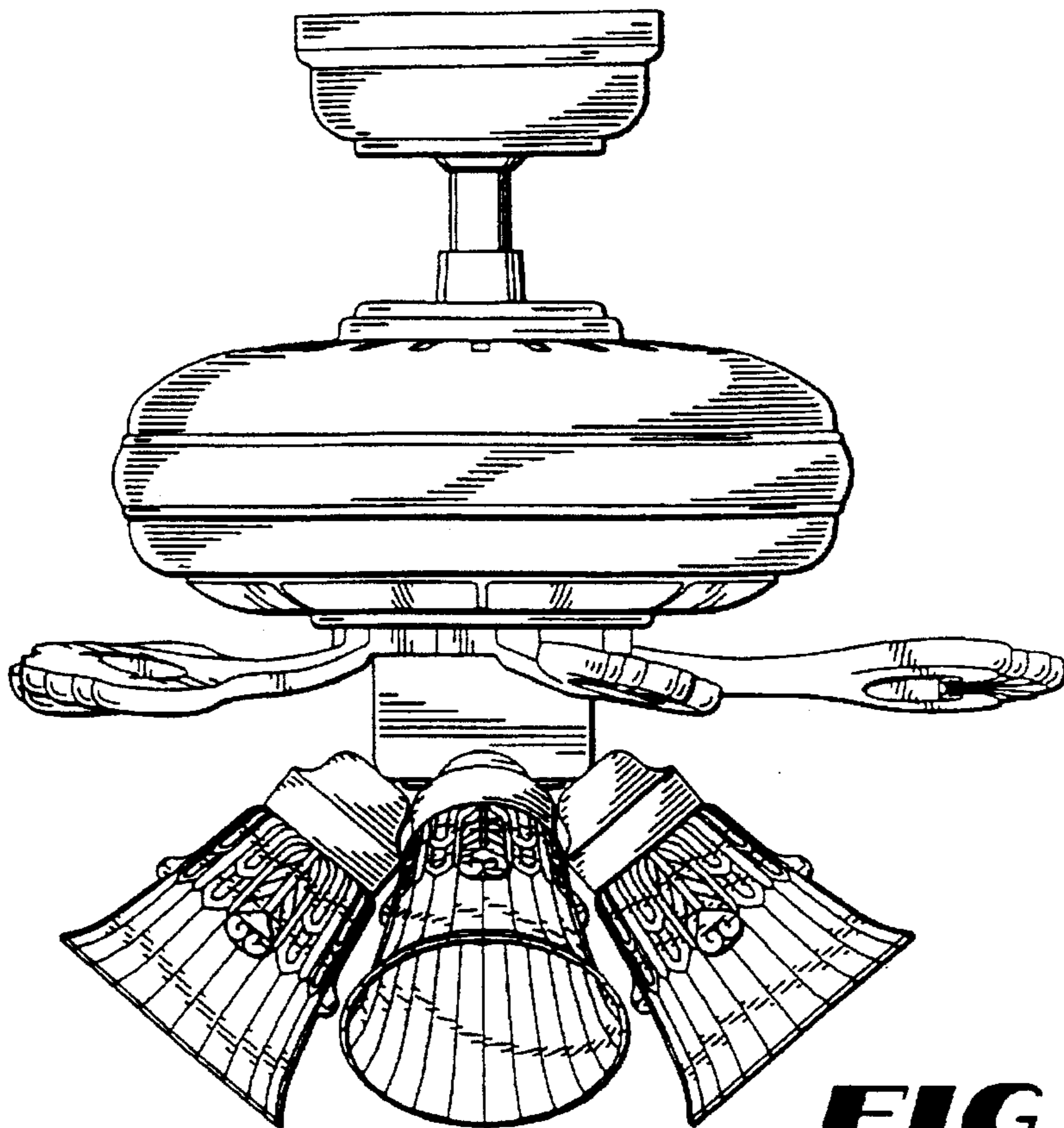


**FIG 2**

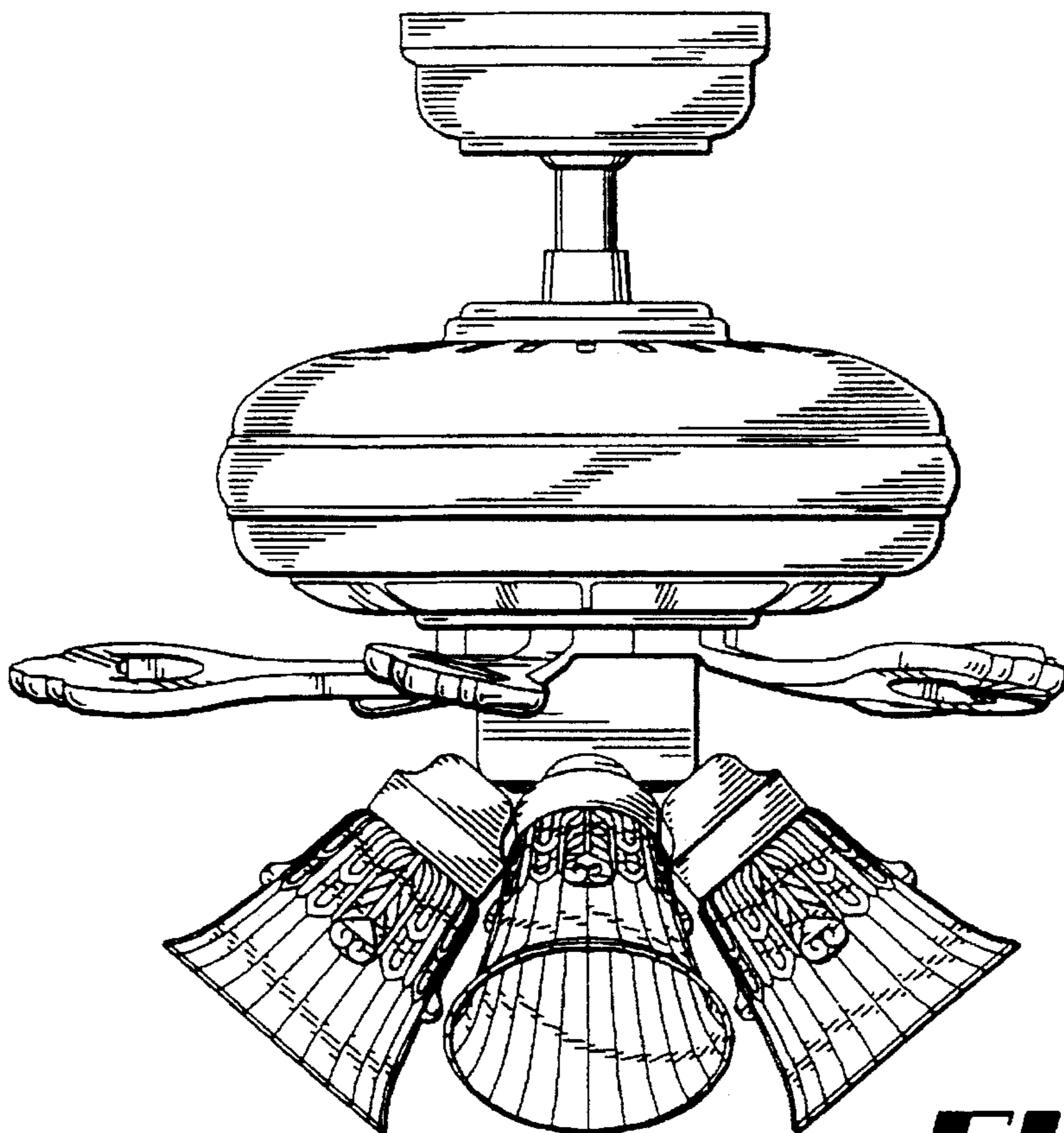


**FIG 3**

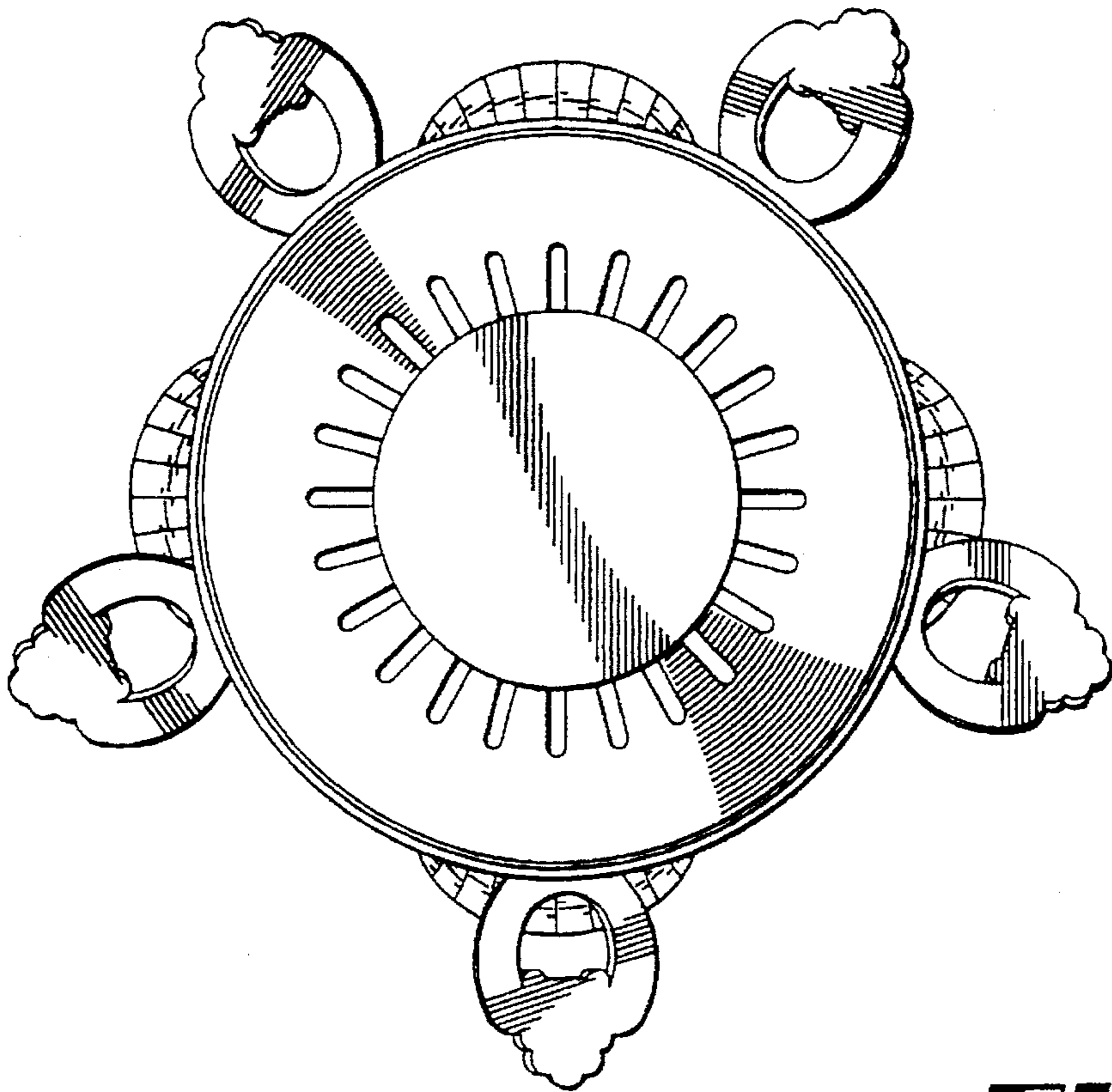




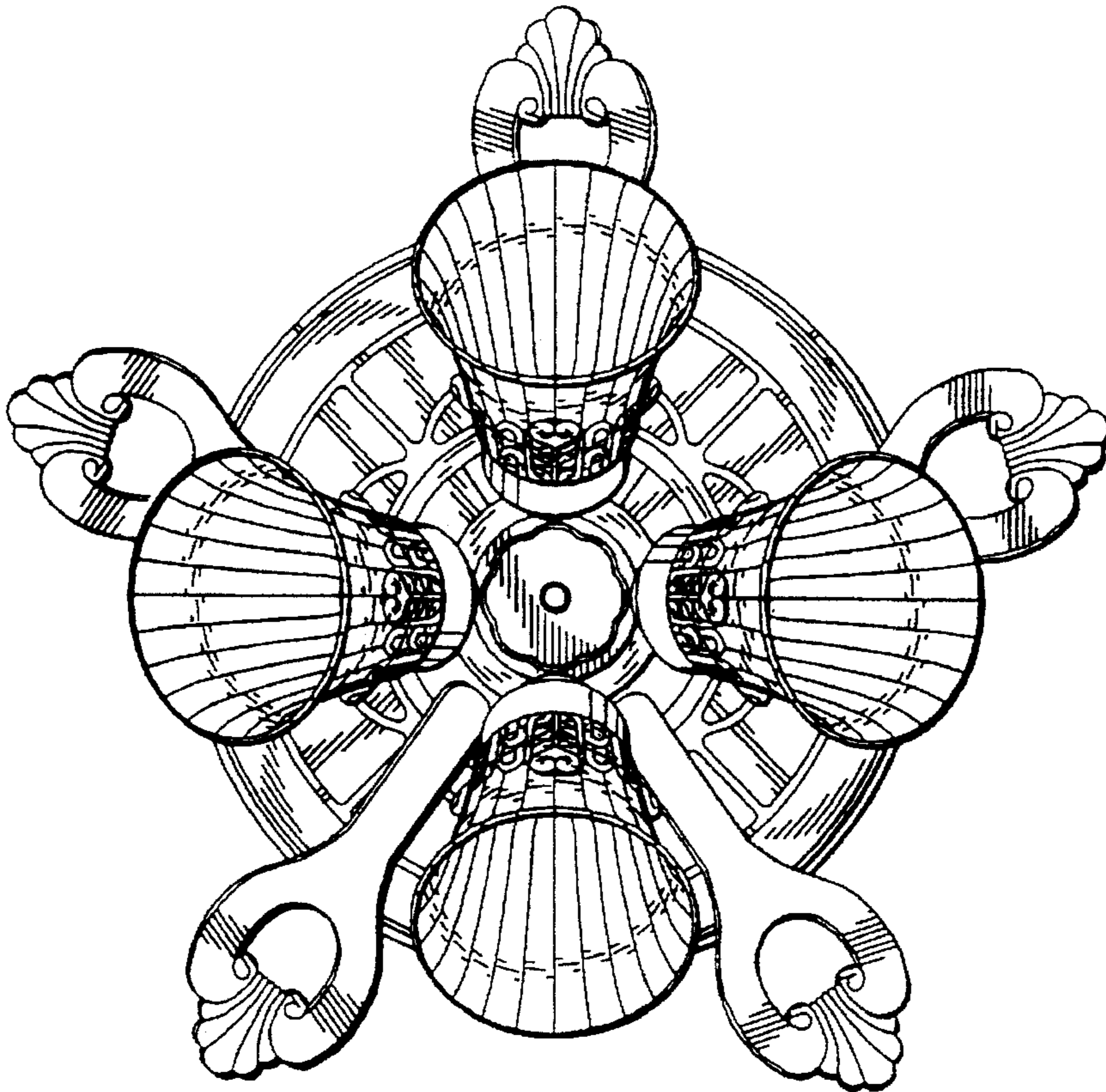
**FIG 4**



**FIG 5**



**FIG 6**



**FIG 7**