



US00D383530S

United States Patent [19]

[11] Patent Number: **Des. 383,530**

Pearce et al.

[45] Date of Patent: ****Sep. 9, 1997**

[54] **MOTOR HOUSING FOR A CEILING FAN**

5,503,524 4/1996 Yu 416/5

[75] Inventors: **Richard A. Pearce; Jack Warren Gee, II**, both of Memphis; **Gary J. Feder**, Germantown, all of Tenn.

Primary Examiner—Lisa Lichtenstein
Attorney, Agent, or Firm—Baker, Donelson, Bearman & Caldwell

[73] Assignee: **Hunter Fan Company**, Memphis, Tenn.

[57] **CLAIM**

[**] Term: **14 Years**

The ornamental design for a motor housing for a ceiling fan, as shown and described.

[21] Appl. No.: **50,123**

DESCRIPTION

[22] Filed: **Feb. 8, 1996**

[51] LOC (6) Cl. **23-04**

[52] U.S. Cl. **D23/411; D23/377; D23/385; D26/73**

[58] **Field of Search** D23/377, 379, D23/385, 411, 413; D26/72, 73, 51, 59, 88, 81-86; 392/364; 362/96; 416/5; D20/10, 19, 20, 29, 42

FIG. 1 is a side, bottom perspective view of a motor housing for a ceiling fan showing the new design in full lines with the broken line showing of environmental association matter being for illustrative purposes only and forming no part of the claimed design. The environmental structure is partially removed to more fully reveal the design aspects of the motor housing.

FIG. 2 is a side, bottom perspective view of a motor housing showing the new design in full lines with the broken line showing of environmental association matter being for illustrative purposes only and forming no part of the claimed design;

[56] **References Cited**

U.S. PATENT DOCUMENTS

- D. 279,301 6/1985 Cobb D20/42
- D. 319,513 8/1991 Vande Kieft D26/88
- D. 362,737 9/1995 Messina, Jr. D26/72
- 5,349,513 9/1994 Taylor, III 416/5

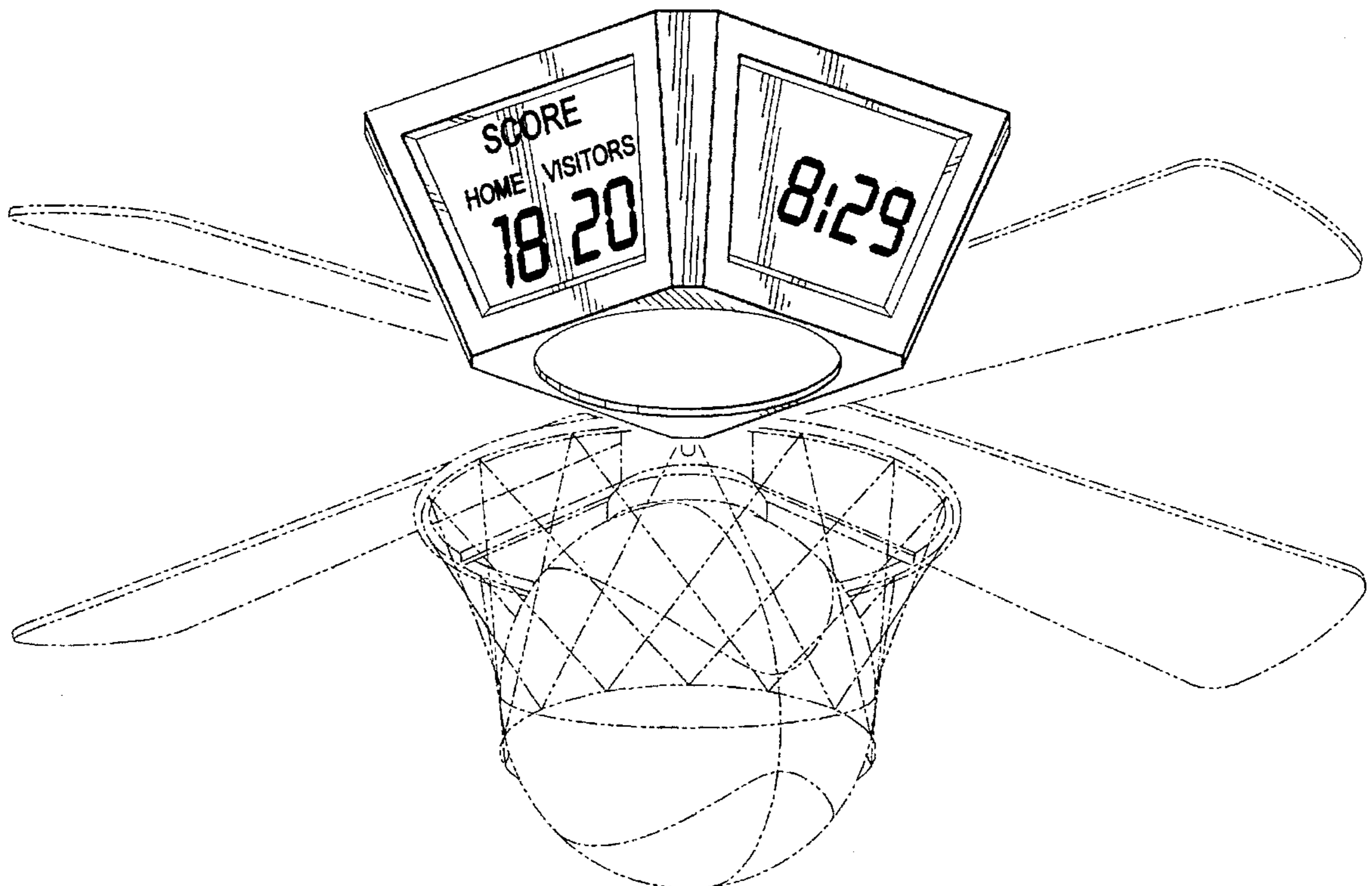
FIG. 3 is an enlarged view of the motor housing;

FIG. 4 is an enlarged view thereof;

FIG. 5 is an enlarged left-side elevational view thereof; and,

FIG. 6 is an enlarged right side elevational view thereof.

1 Claim, 5 Drawing Sheets



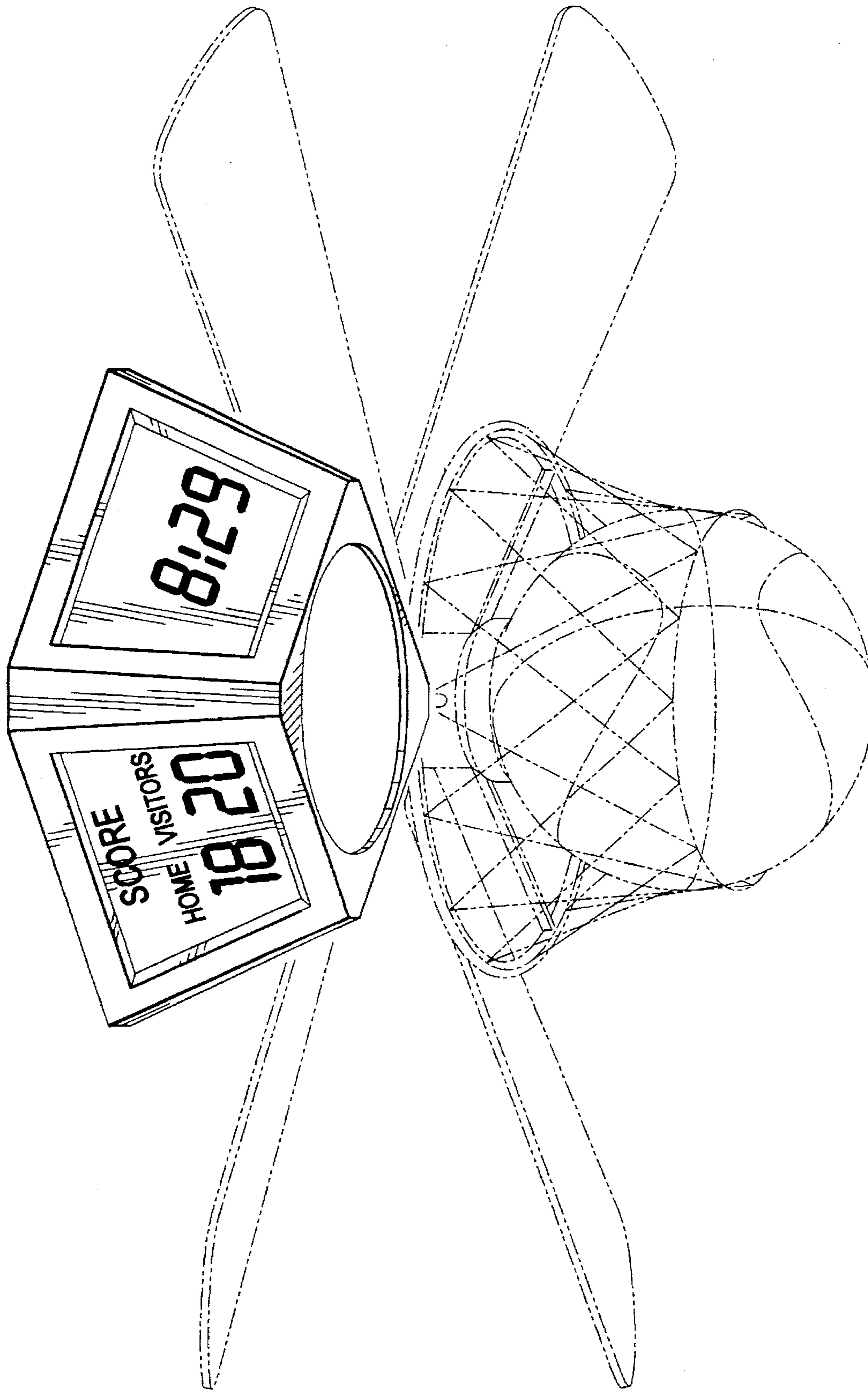


FIG 1

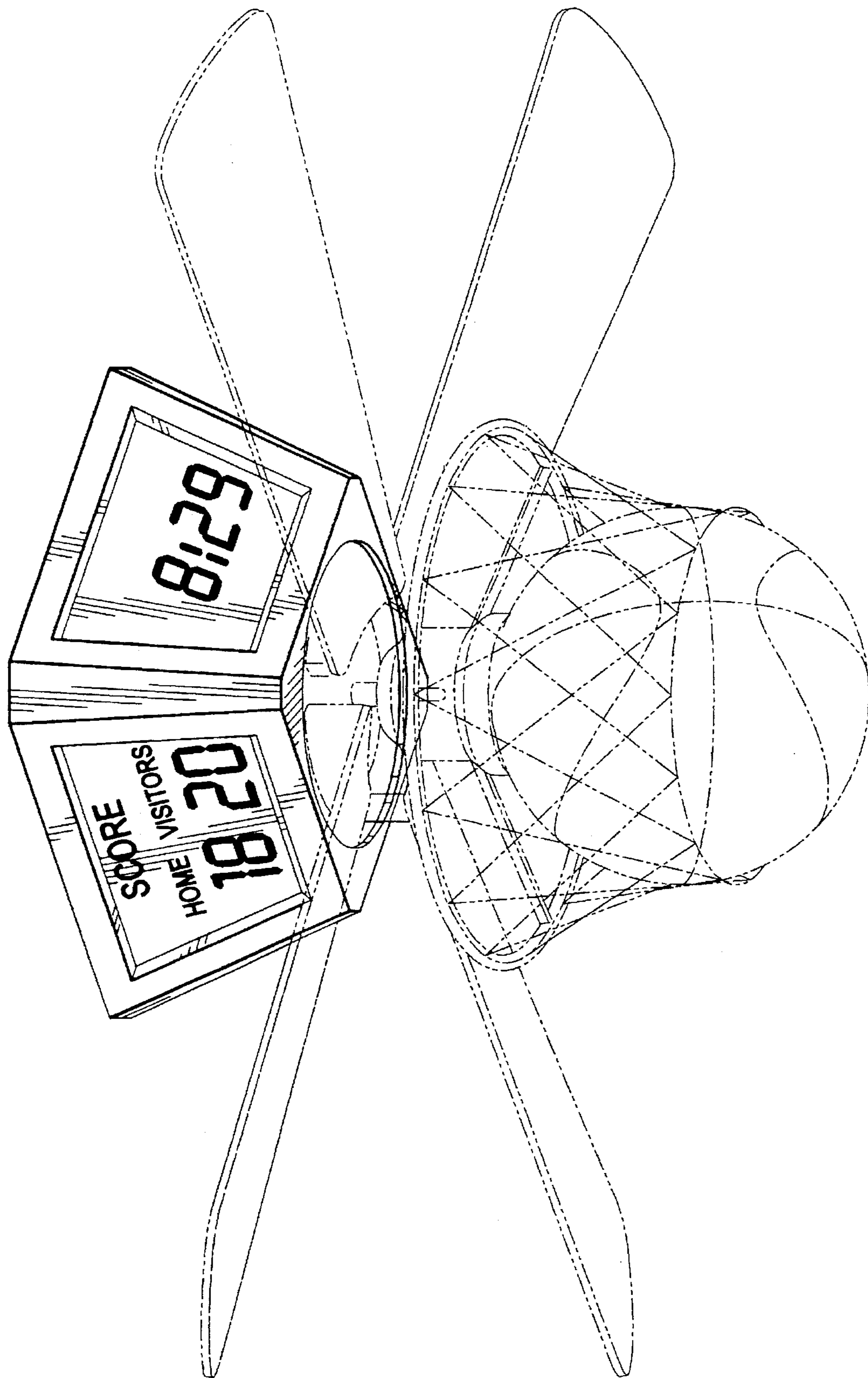


FIG 2

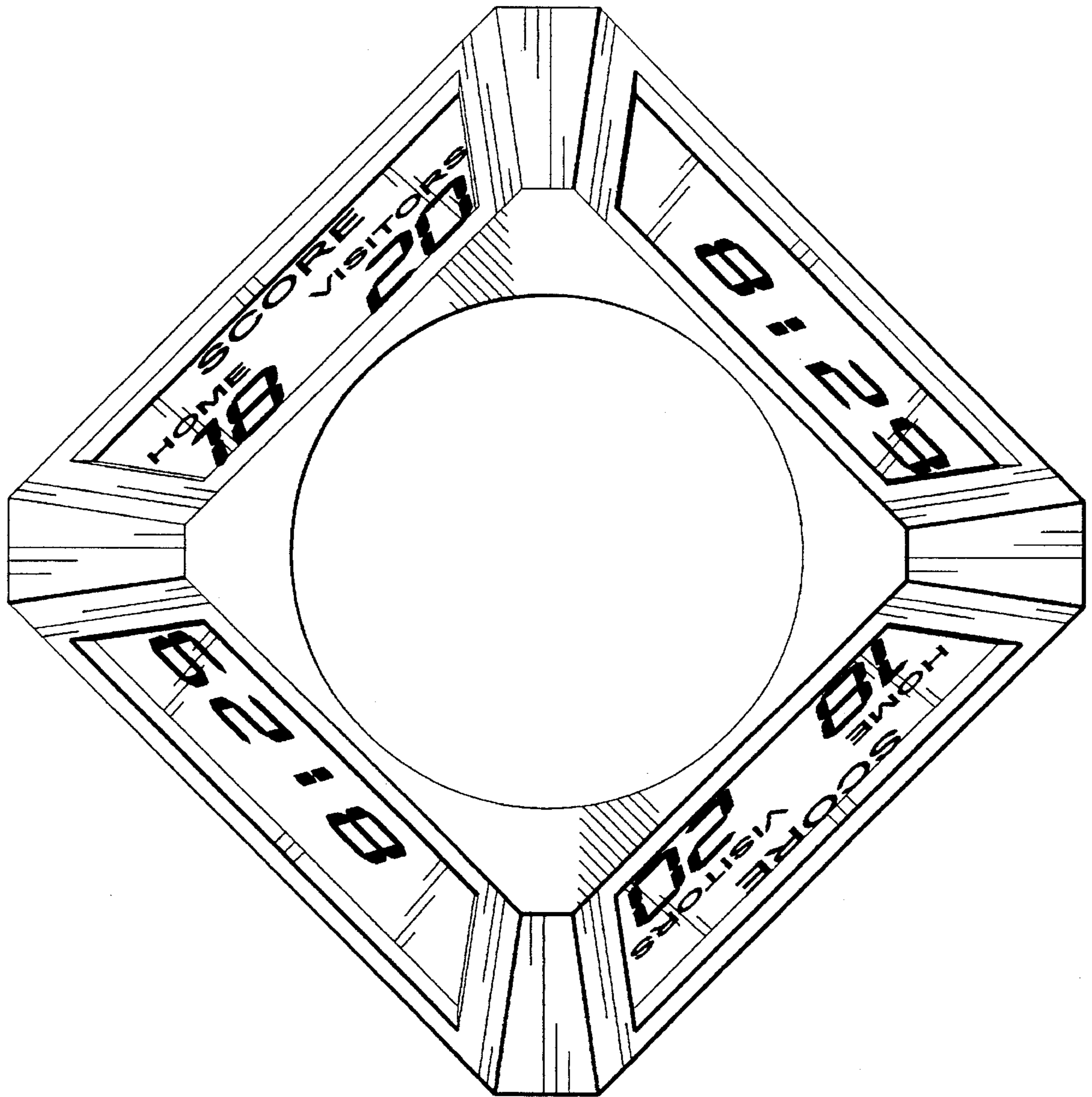


FIG 3

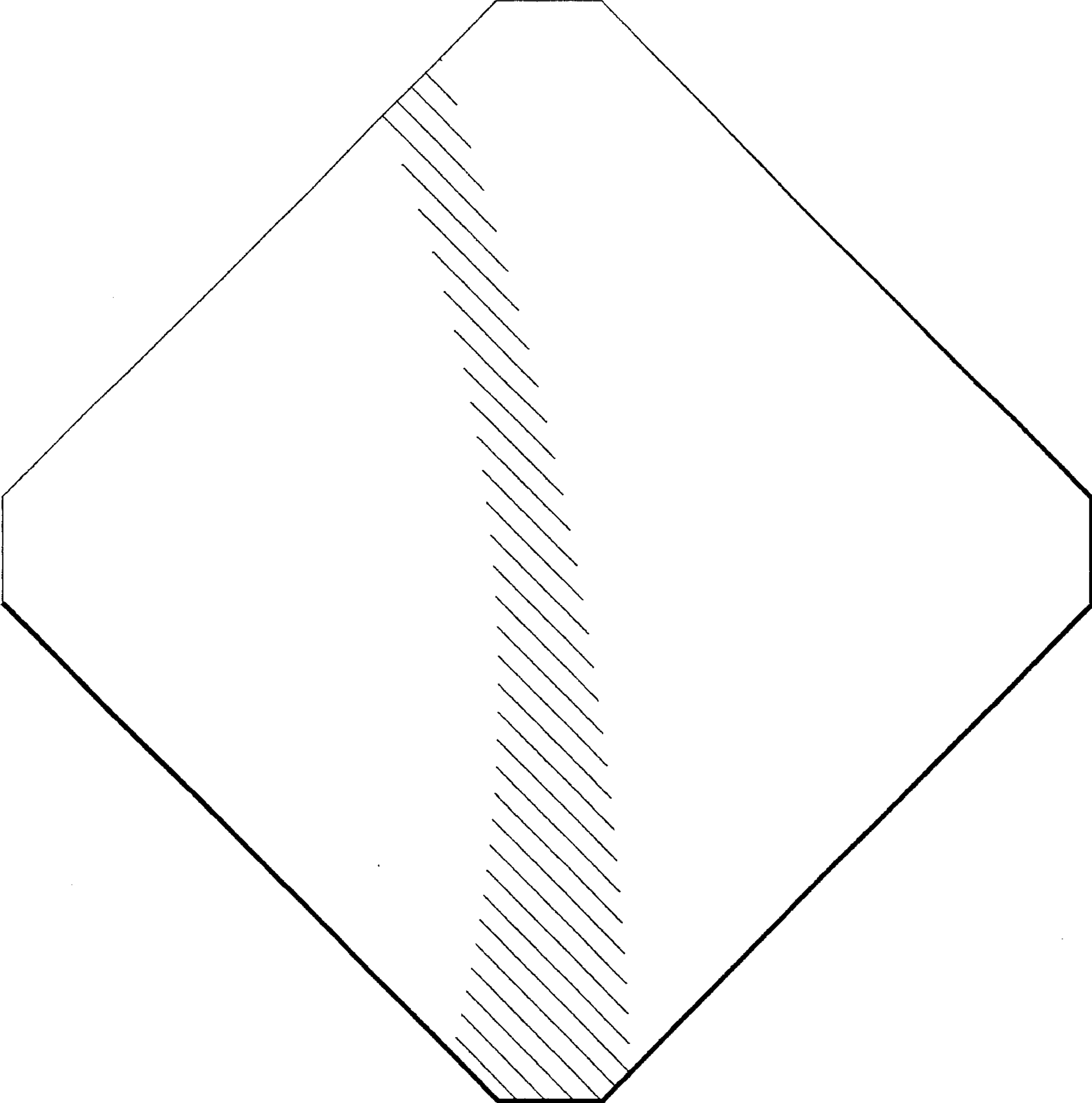


FIG 4

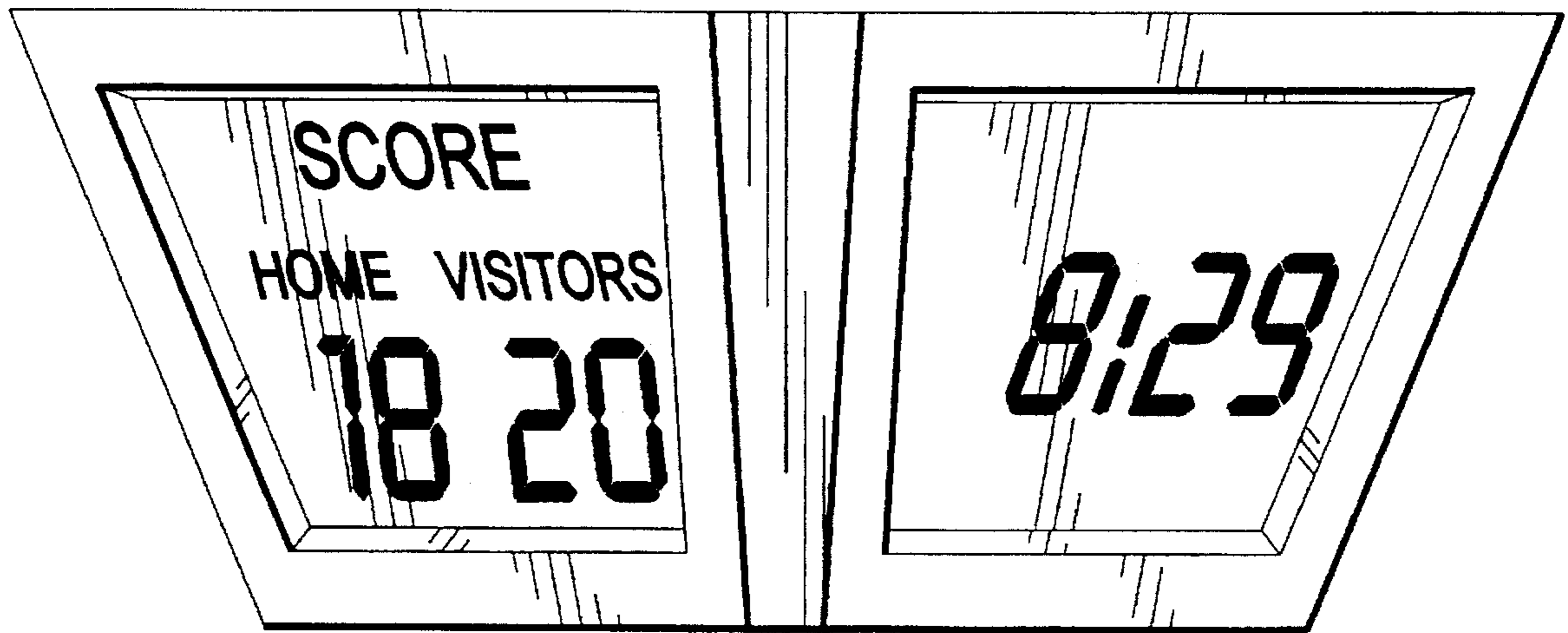


FIG 5

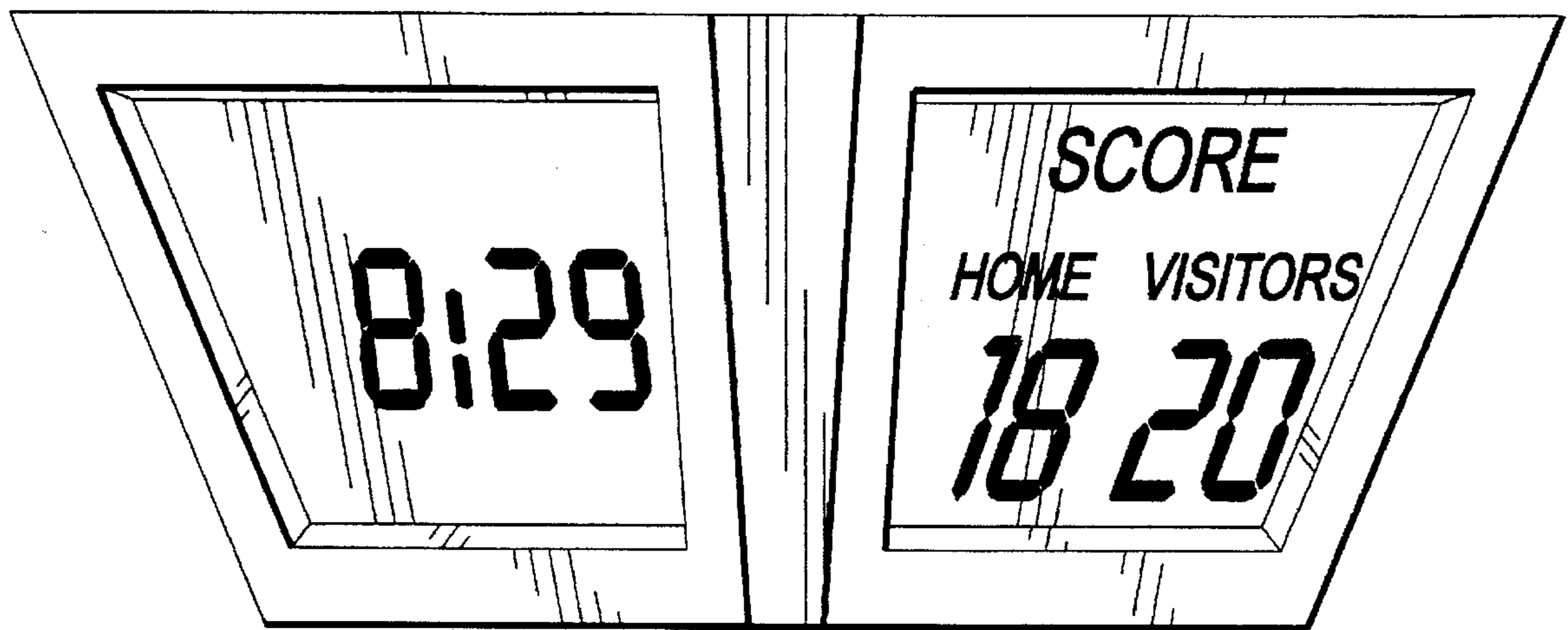


FIG 6