



US00D383529S

United States Patent [19]
Tsuji

[11] **Patent Number: Des. 383,529**
[45] **Date of Patent: **Sep. 9, 1997**

[54] **COMBINED CEILING FAN MOUNTING CANOPY, MOTOR HOUSING, BLADE IRONS, AND LIGHT FIXTURE UNIT**

[75] **Inventor: Masao Tsuji, Germantown, Tenn.**

[73] **Assignee: Hunter Fan Company, Memphis, Tenn.**

[**] **Term: 14 Years**

[21] **Appl. No.: 50,122**

[22] **Filed: Feb. 8, 1996**

[51] **LOC (6) Cl. 23-04**

[52] **U.S. Cl. D23/411; D23/377; D23/385; D26/72**

[58] **Field of Search D23/411, 377, D23/379, 385; 392/364; 416/5; 362/96; D26/88, 81-86, 72, 51, 59**

[56] **References Cited**

U.S. PATENT DOCUMENTS

- D. 363,346 10/1995 Wang D23/377
- D. 366,111 1/1996 DiPasquale D23/377

OTHER PUBLICATIONS

Minka Aire Adv. Cat., p. 39, ceiling Fan A, p. 58 globe (B), middle right side of page.

Primary Examiner—Lisa Lichtenstein

Attorney, Agent, or Firm—Baker, Donelson, Bearman & Caldwell

[57] **CLAIM**

The ornamental design for a combined ceiling fan mounting canopy, motor housing, blade irons, and light fixture unit, as shown and described.

DESCRIPTION

FIG. 1 is a perspective view of a combined ceiling fan mounting canopy, motor housing, blade irons, and light fixture unit showing my new design in full lines with the broken line showing of environmental association matter being for illustrative purposes only and forming no part of the claimed design;

FIG. 2 is a front elevational view of the design shown in FIG. 1;

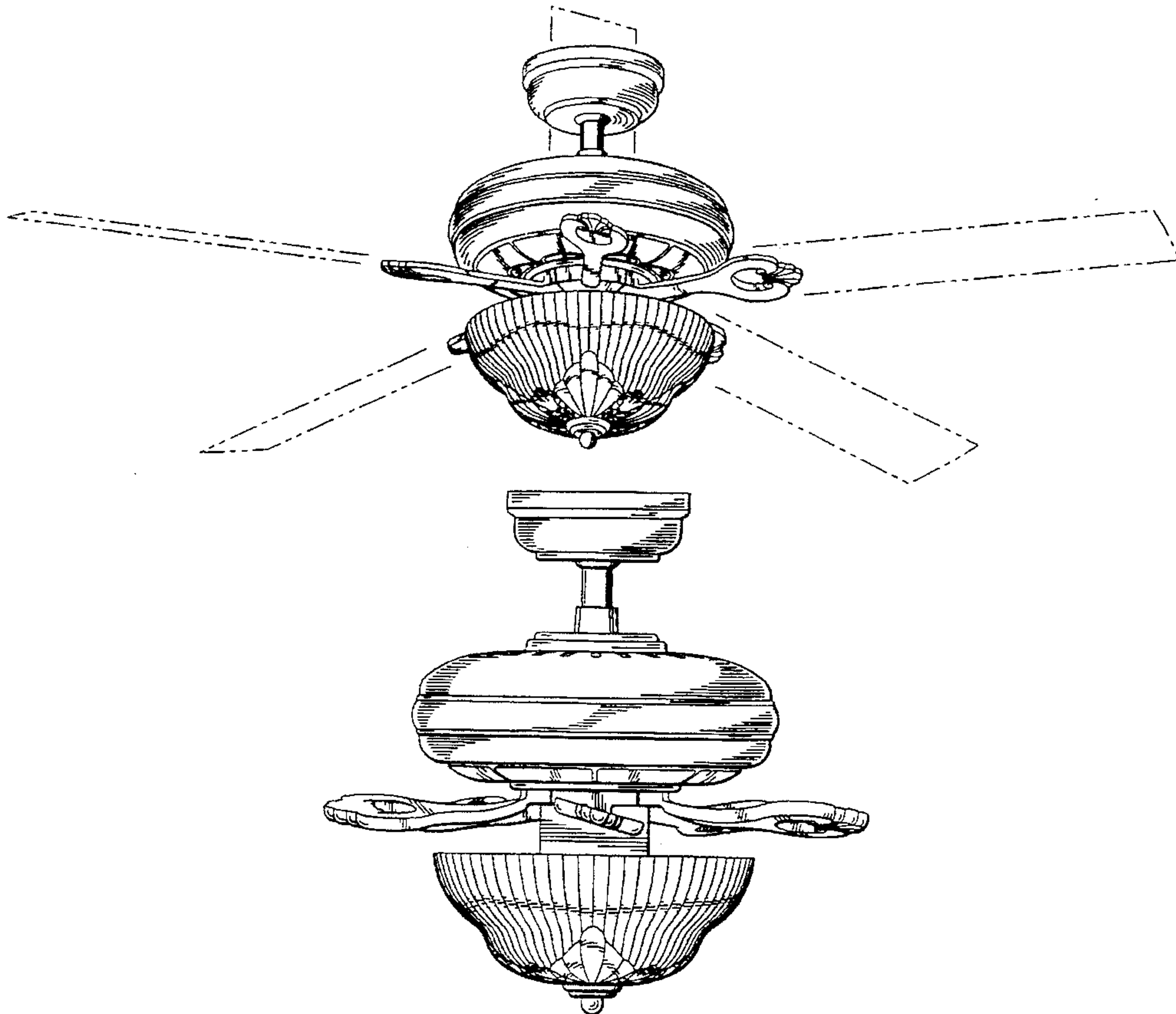
FIG. 3 is a rear elevational view of the design shown in FIG. 1;

FIG. 4 is a right side elevational view of the design shown in FIG. 1;

FIG. 5 is a left side elevational view of the design shown in FIG. 1;

FIG. 6 is a top plan view of the design shown in FIG. 1; and, FIG. 7 is a bottom plan view of the design shown in FIG. 1.

1 Claim, 4 Drawing Sheets



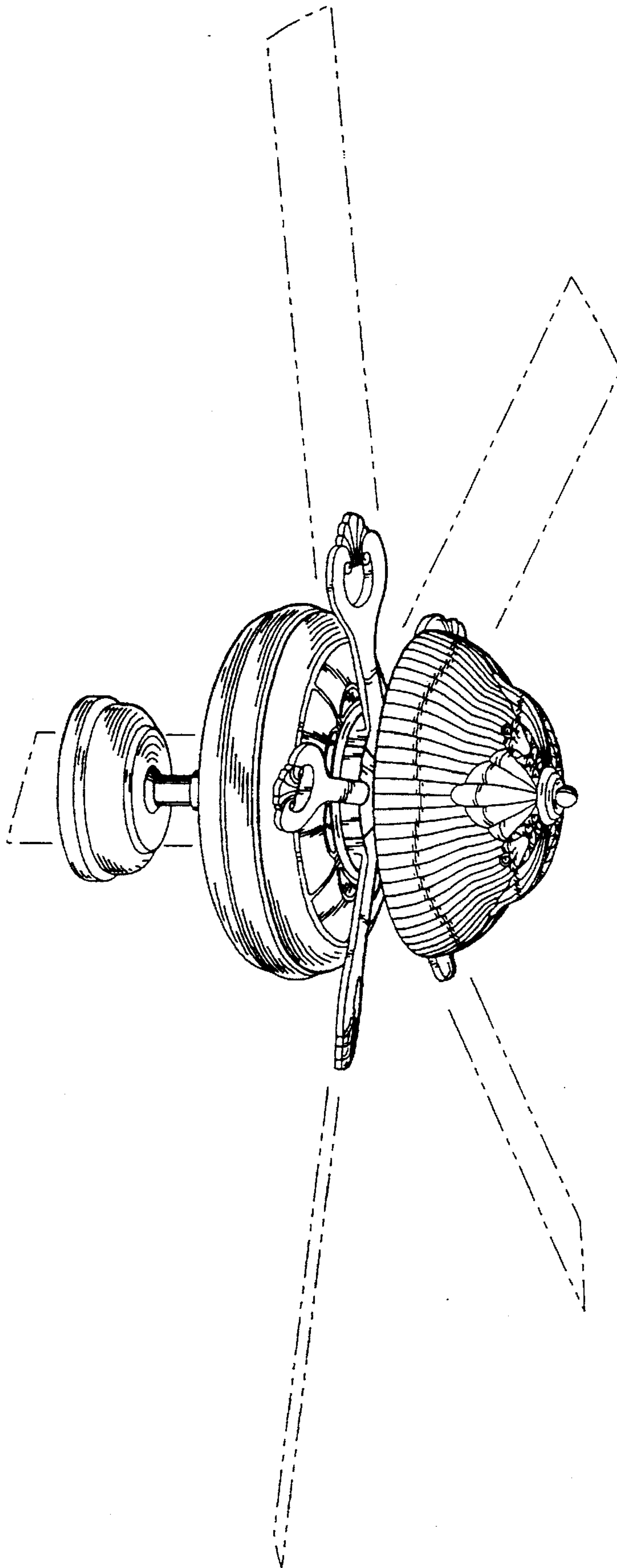


FIG 1

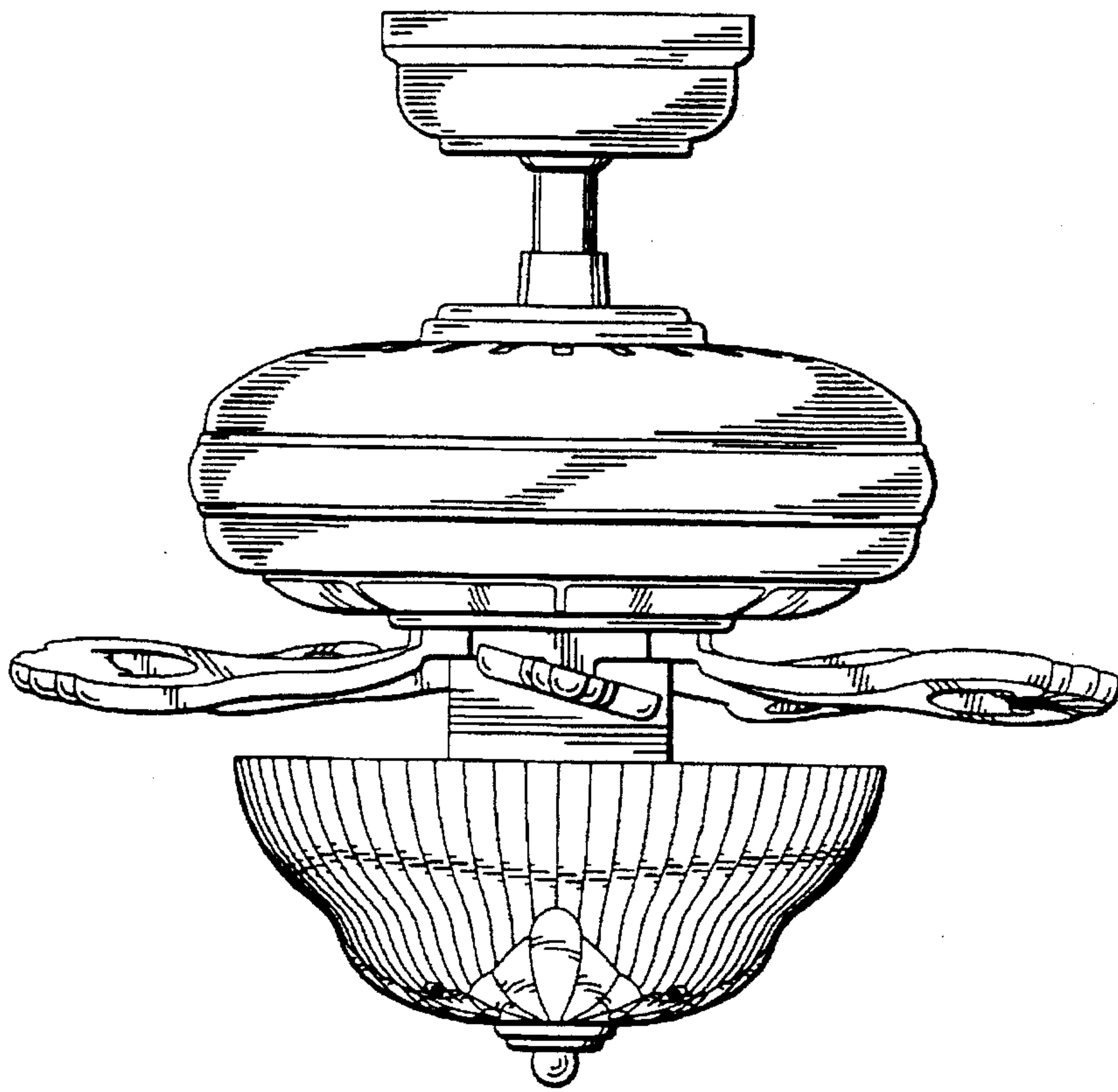


FIG 2

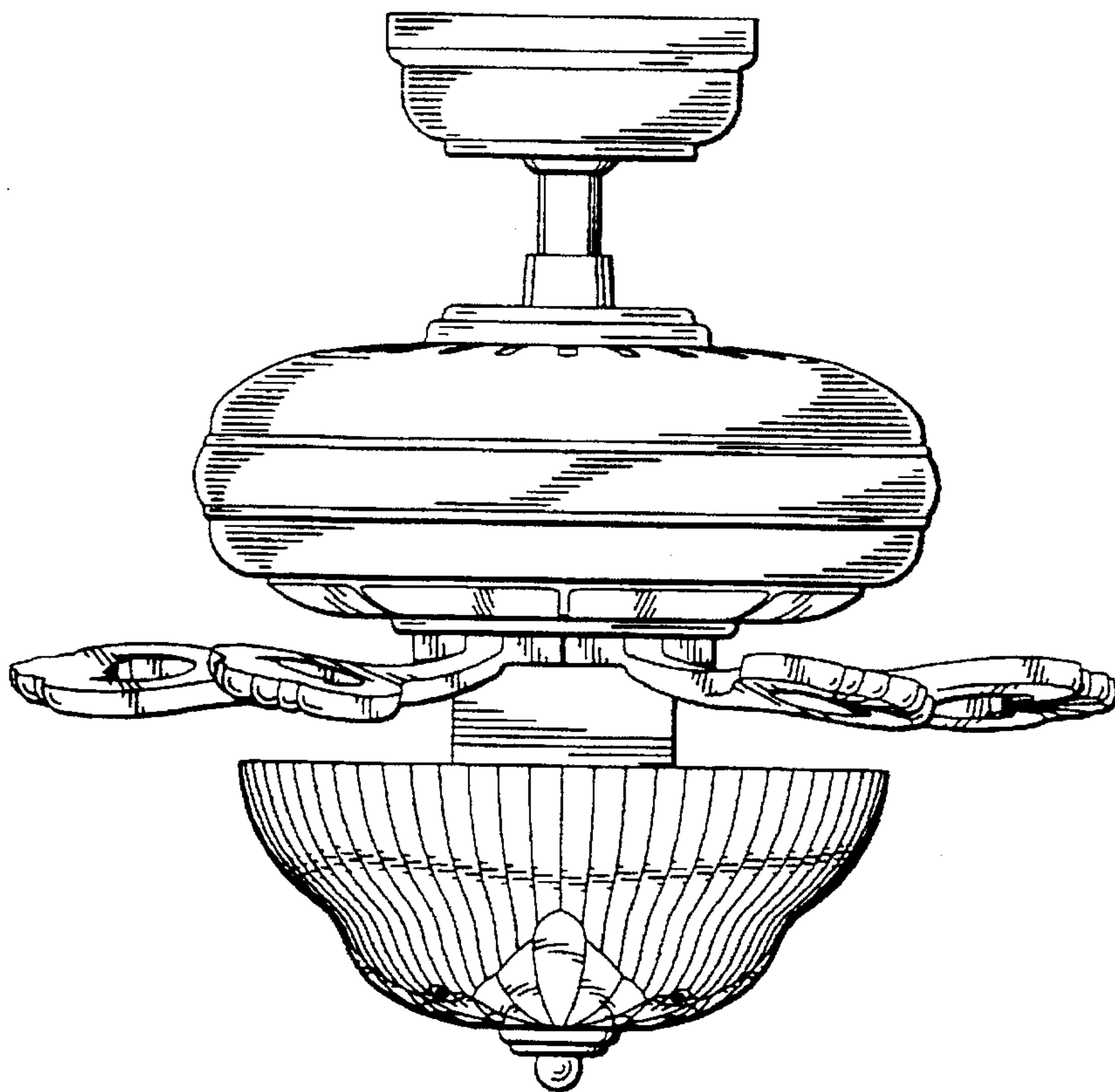


FIG 3

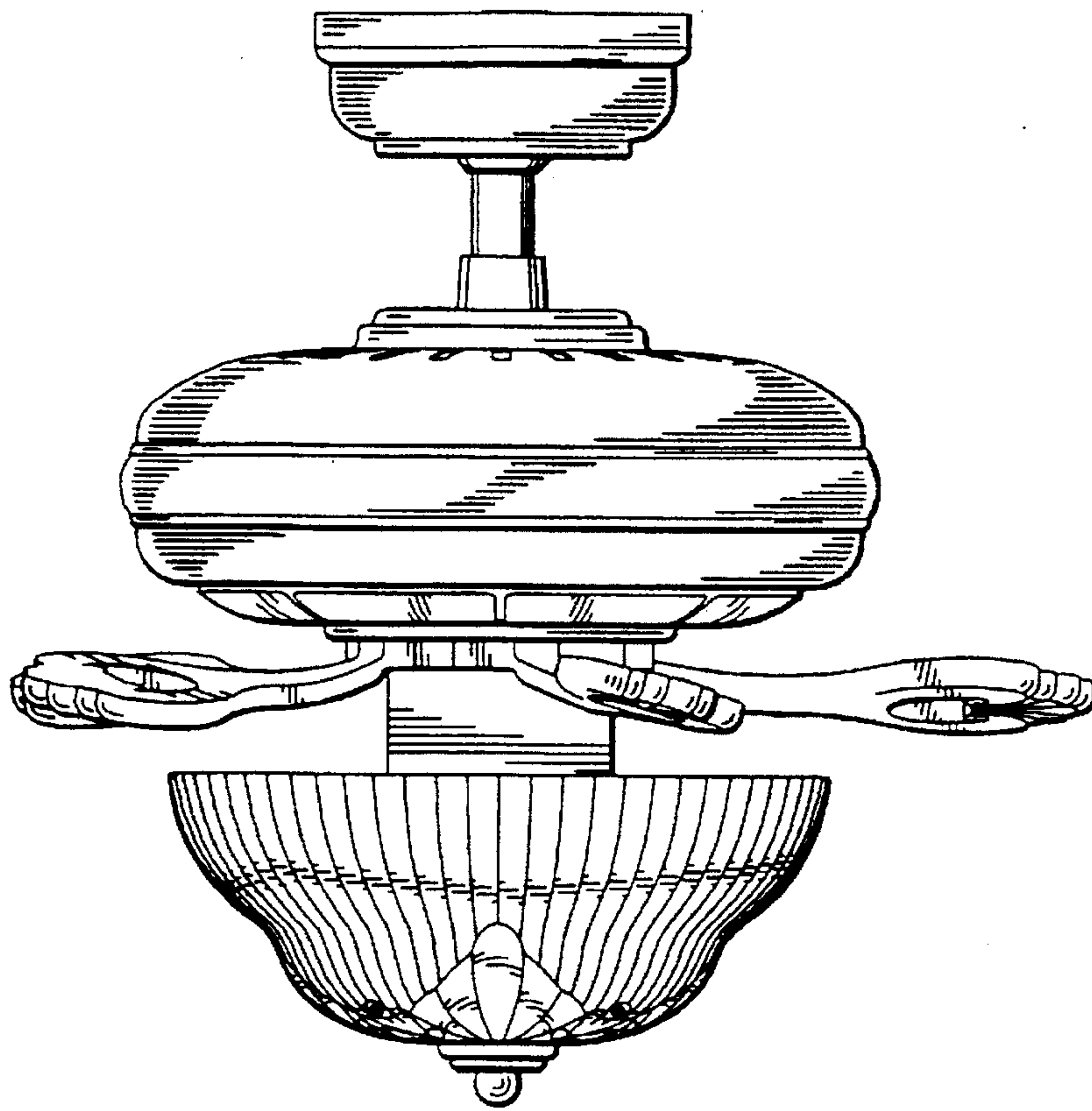


FIG 4

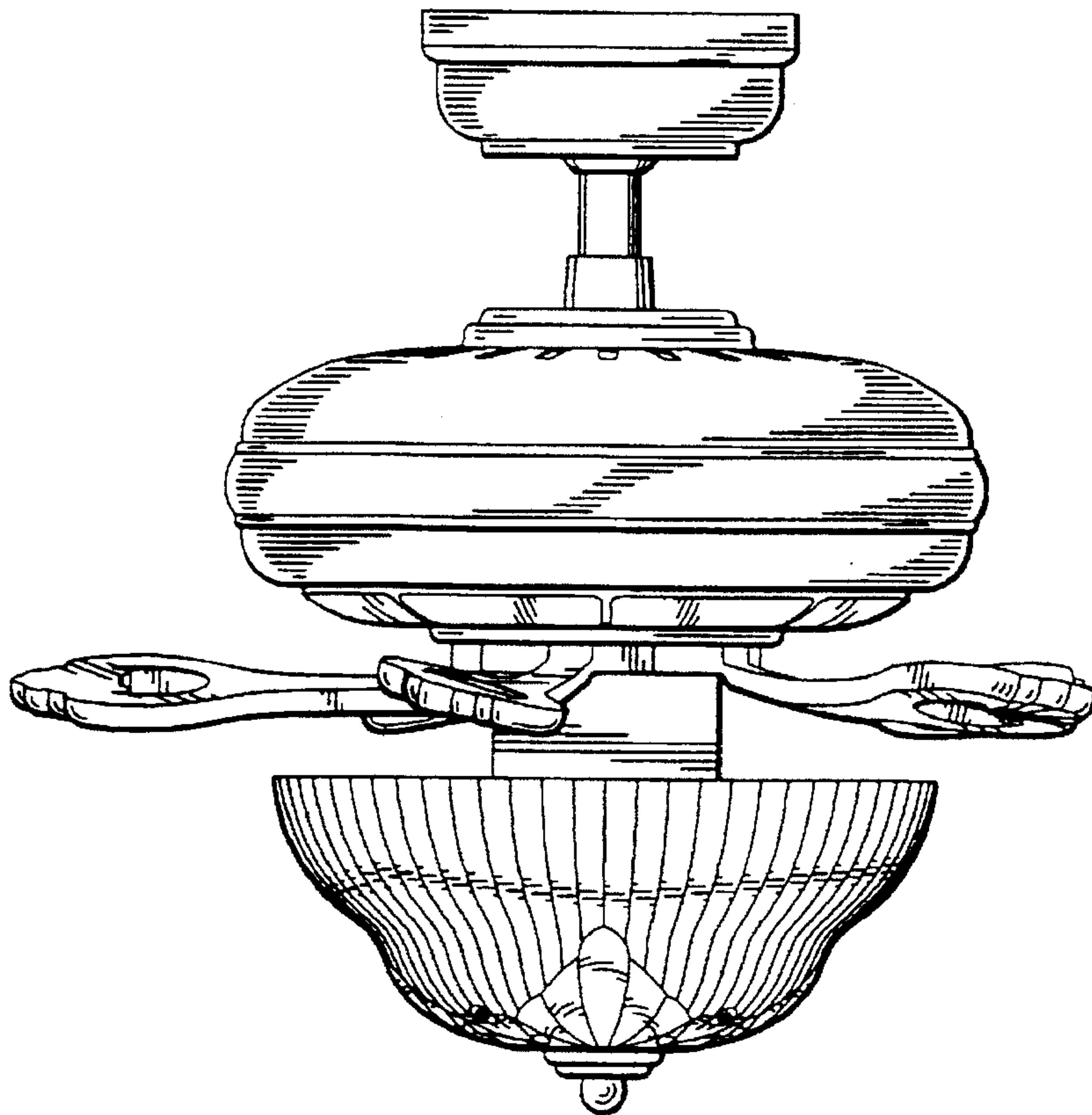


FIG 5

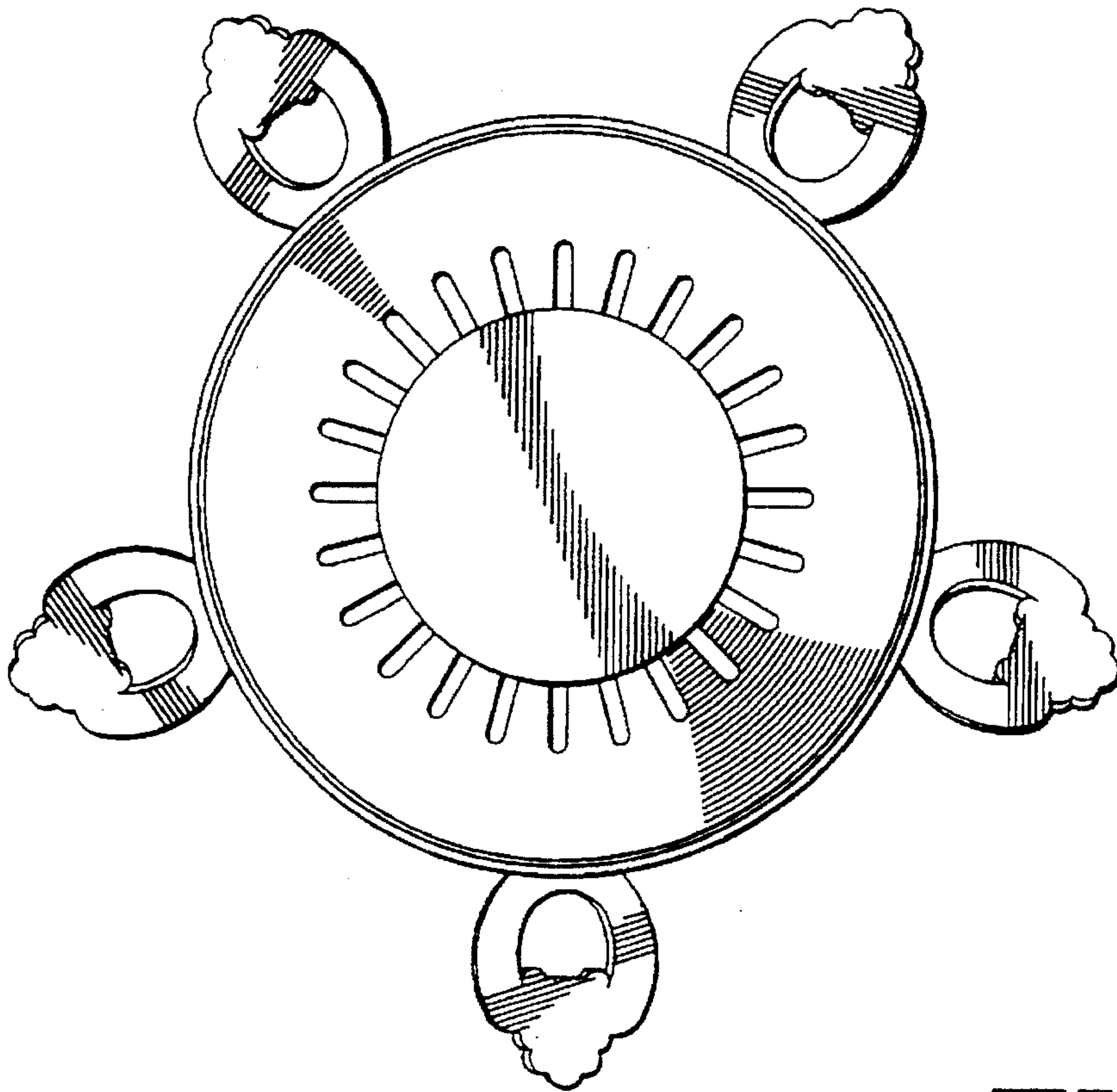


FIG 6

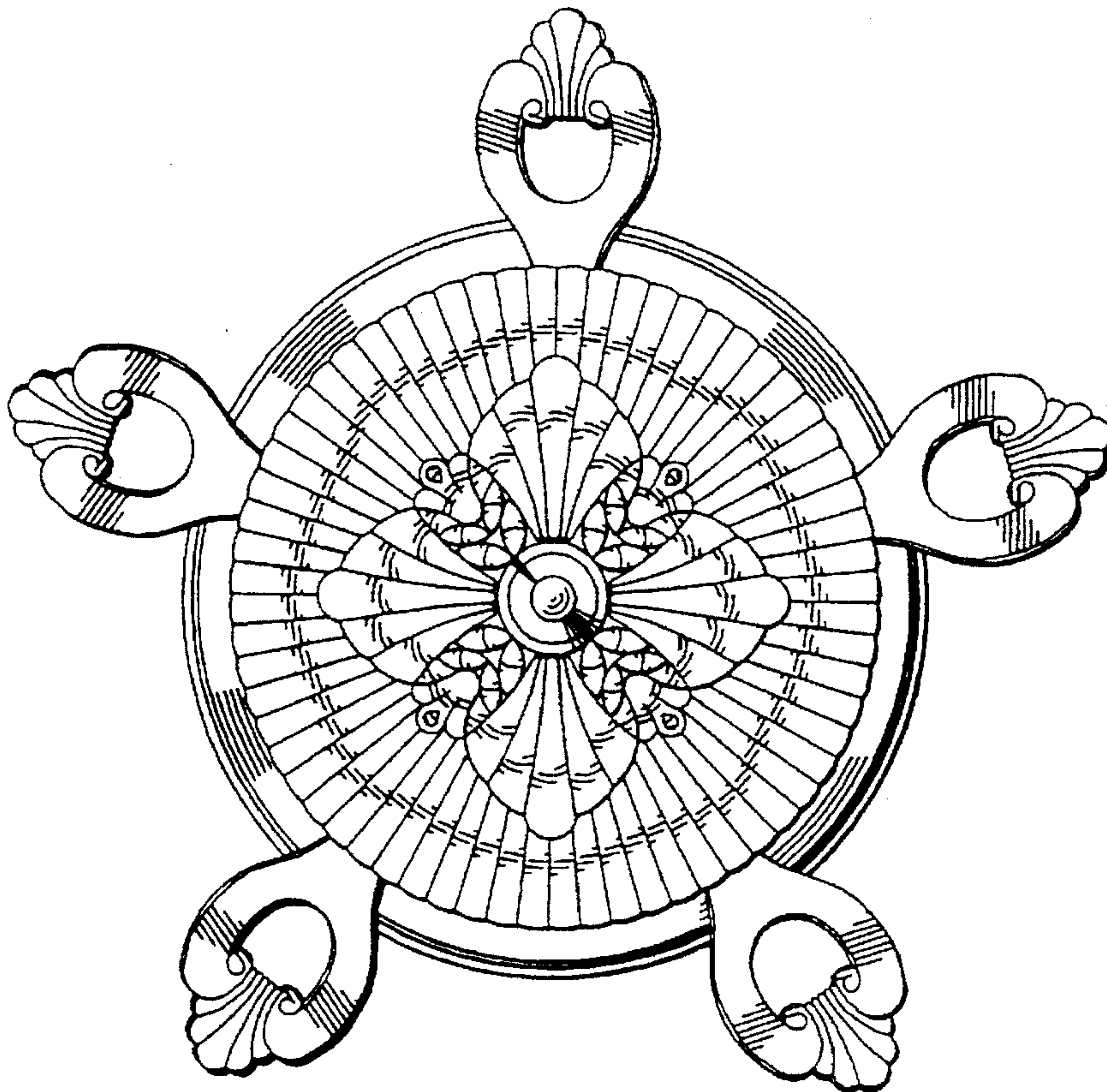


FIG 7